



US00D398673S

United States Patent [19] Huang

[11] Patent Number: Des. 398,673

[45] Date of Patent: **Sep. 22, 1998

[54] EXERCISER

[76] Inventor: **Hui-Mei Huang**, No. 61, Mai Jou II Rd., I Lan City, Taiwan

[**] Term: 14 Years

[21] Appl. No.: 77,316

[22] Filed: Sep. 30, 1997

[51] LOC (6) Cl. 21-02

[52] U.S. Cl. D21/194

[58] Field of Search D21/191, 192, D21/193, 194, 195; 482/51, 52, 53, 57

[56] **References Cited**

U.S. PATENT DOCUMENTS

D. 299,371	1/1989	Tsuyama	D21/194
D. 309,336	7/1990	Yang	D21/194
D. 310,697	9/1990	Kagayama	D21/194
D. 338,509	8/1993	Gustafsson	D21/194
D. 344,313	2/1994	Wu	D21/194
D. 349,932	8/1994	Ueda et al.	D21/194

D. 353,690	12/1994	Tsushi et al.	D21/194
D. 360,916	8/1995	Koga	D21/194
D. 366,298	1/1996	Wu	D21/194

Primary Examiner—Philip S. Hyder
Attorney, Agent, or Firm—Pro-Techtor International Services

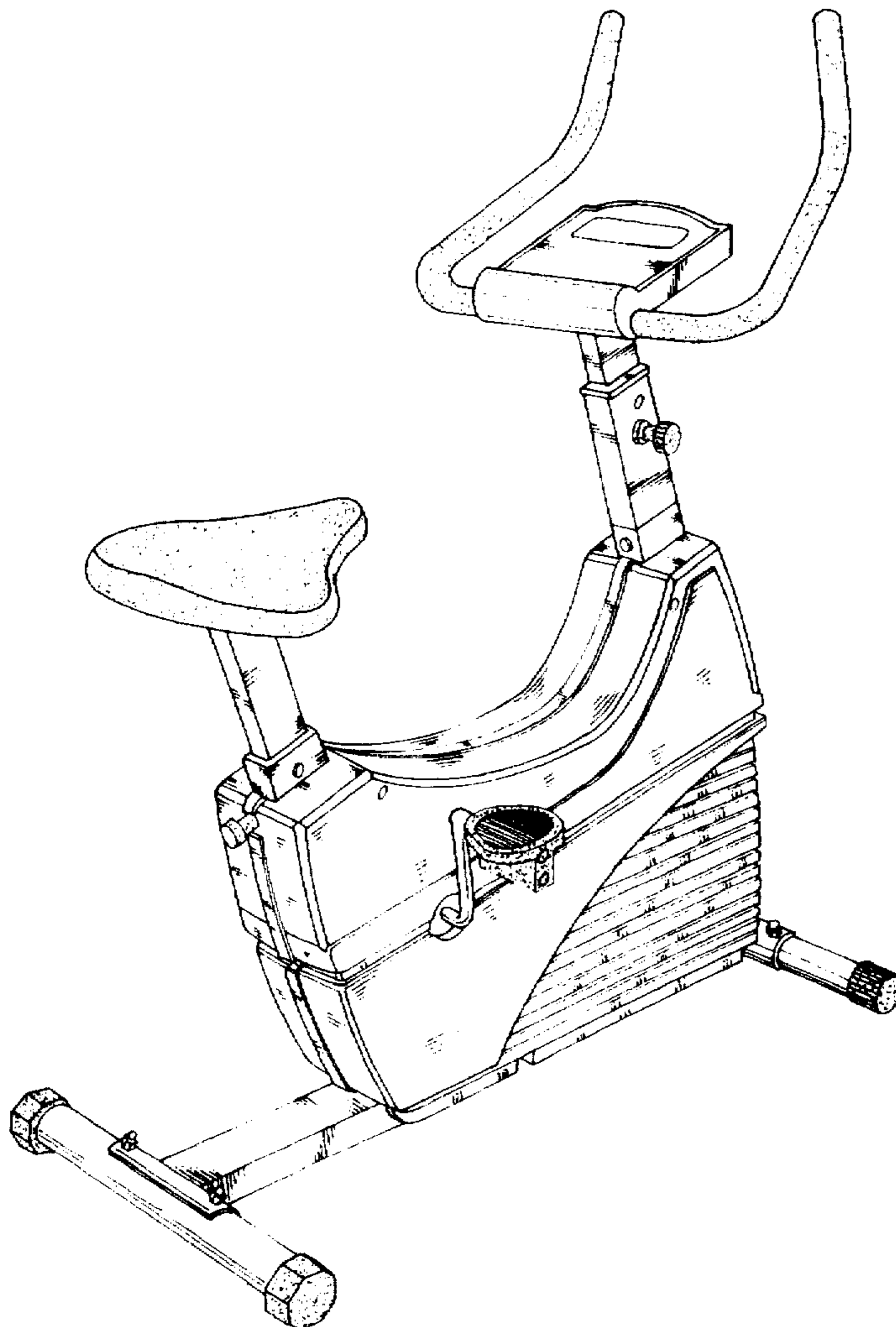
[57] **CLAIM**

The ornamental design for an exerciser, as shown and described.

DESCRIPTION

FIG. 1 is a perspective view of an exerciser showing my new design;
FIG. 2 is a front elevational view thereof;
FIG. 3 is a rear elevational view thereof;
FIG. 4 is a top plan view thereof;
FIG. 5 is a bottom plan view thereof;
FIG. 6 is a left side elevational view thereof; and,
FIG. 7 is a right side elevational view thereof.

1 Claim, 7 Drawing Sheets



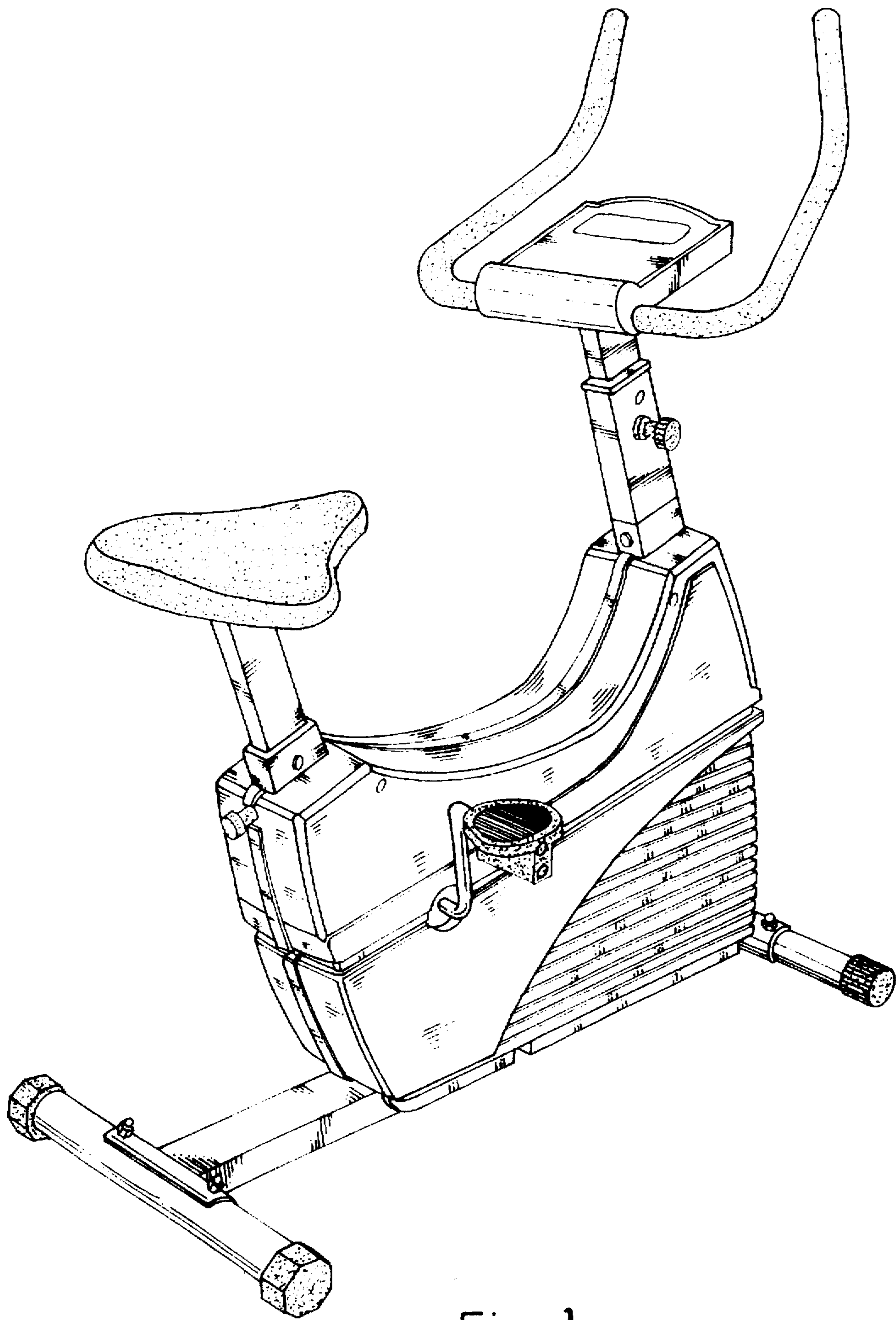


Fig. 1

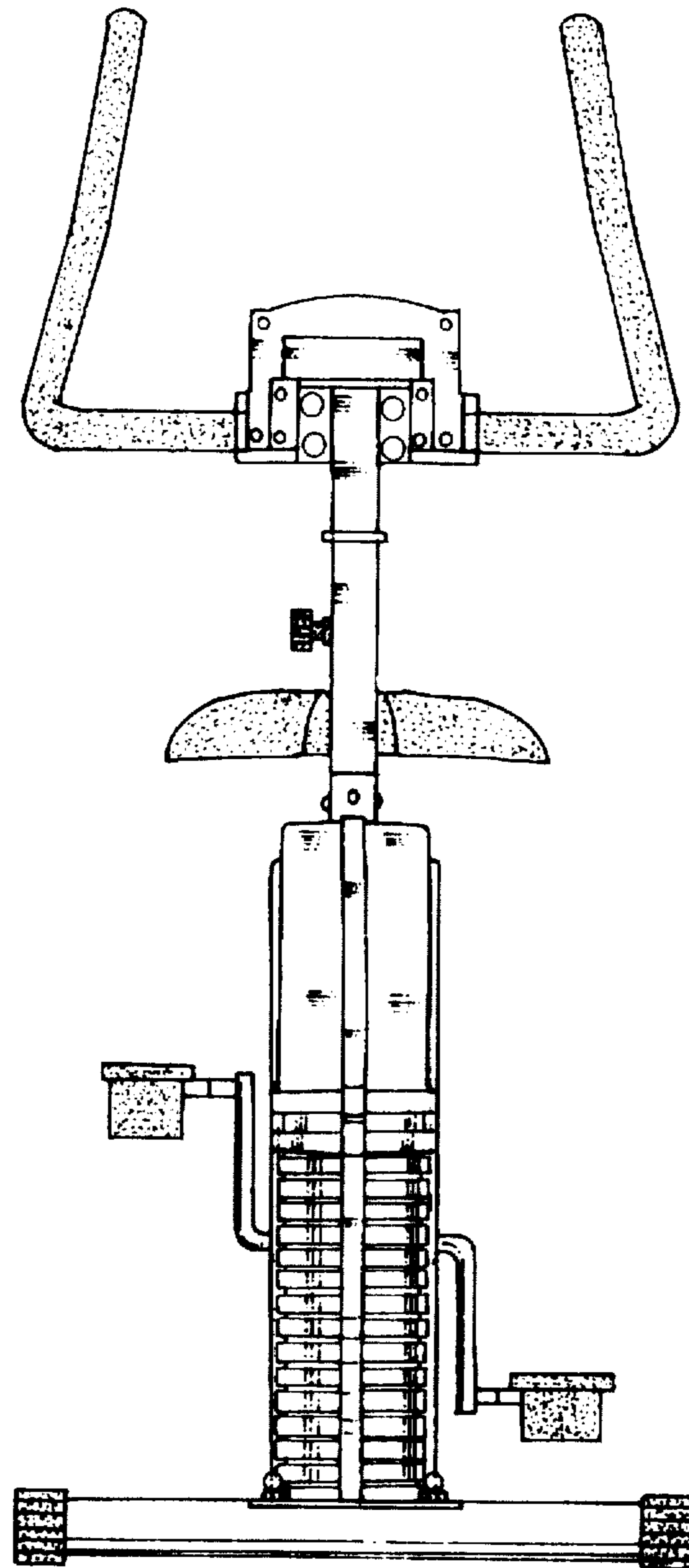


Fig. 2

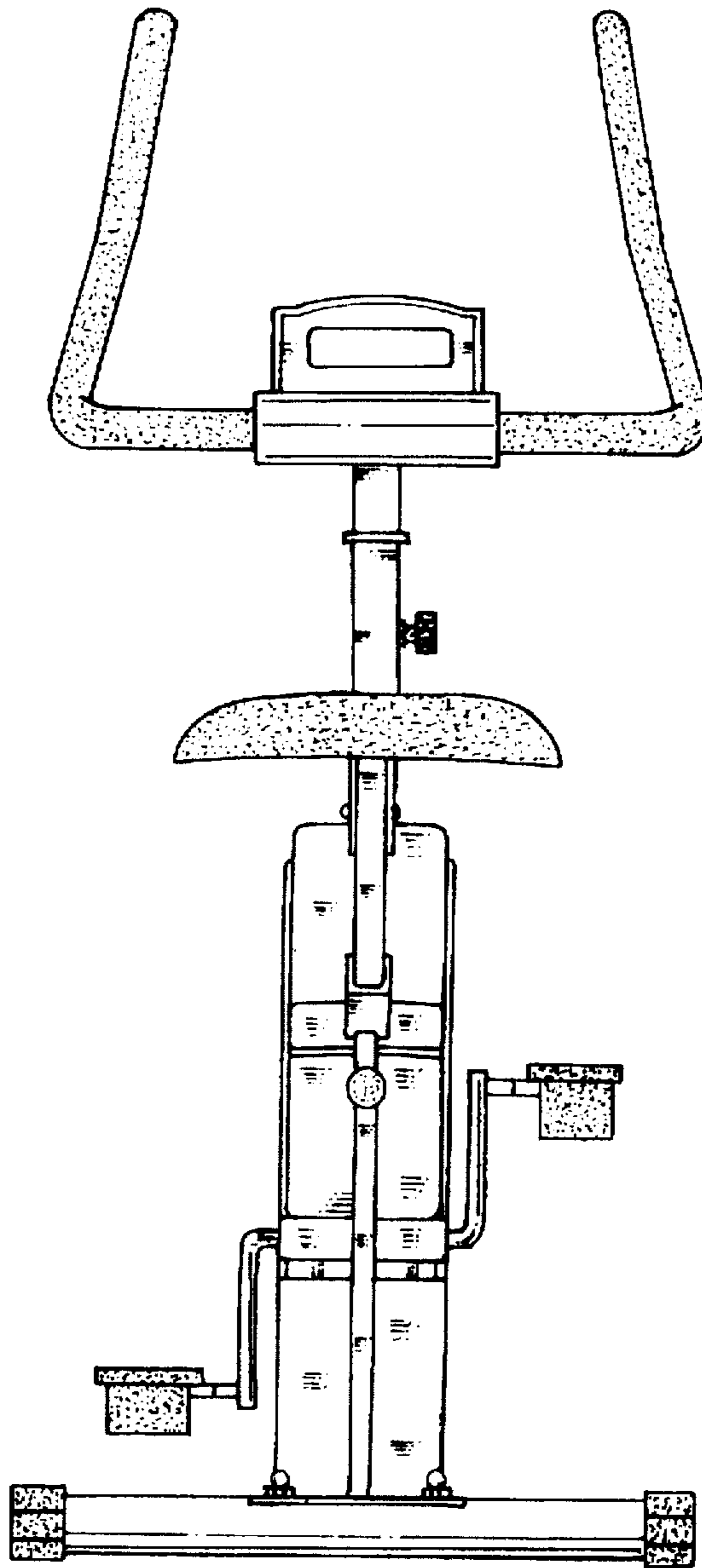


Fig. 3

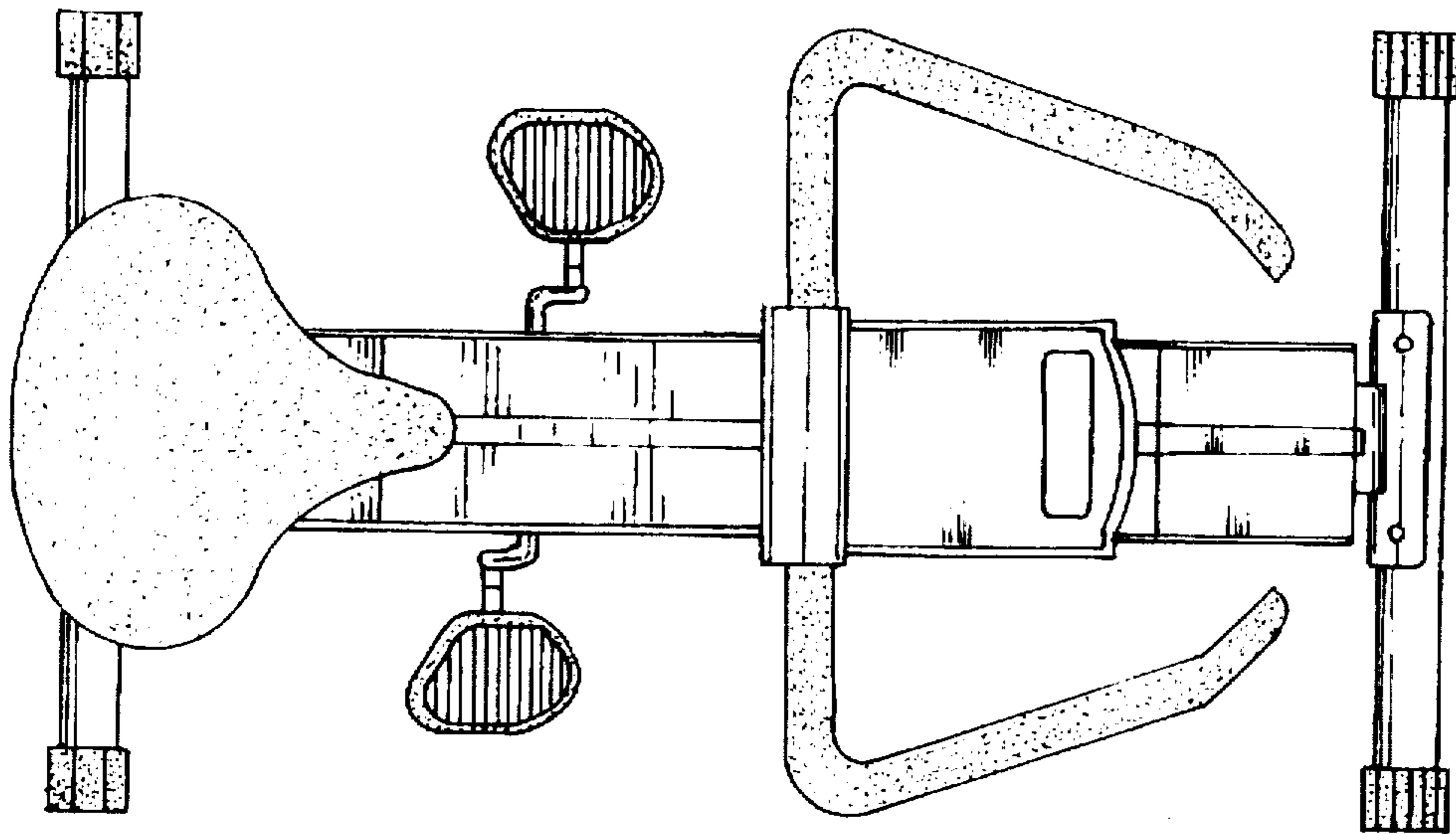


Fig. 4

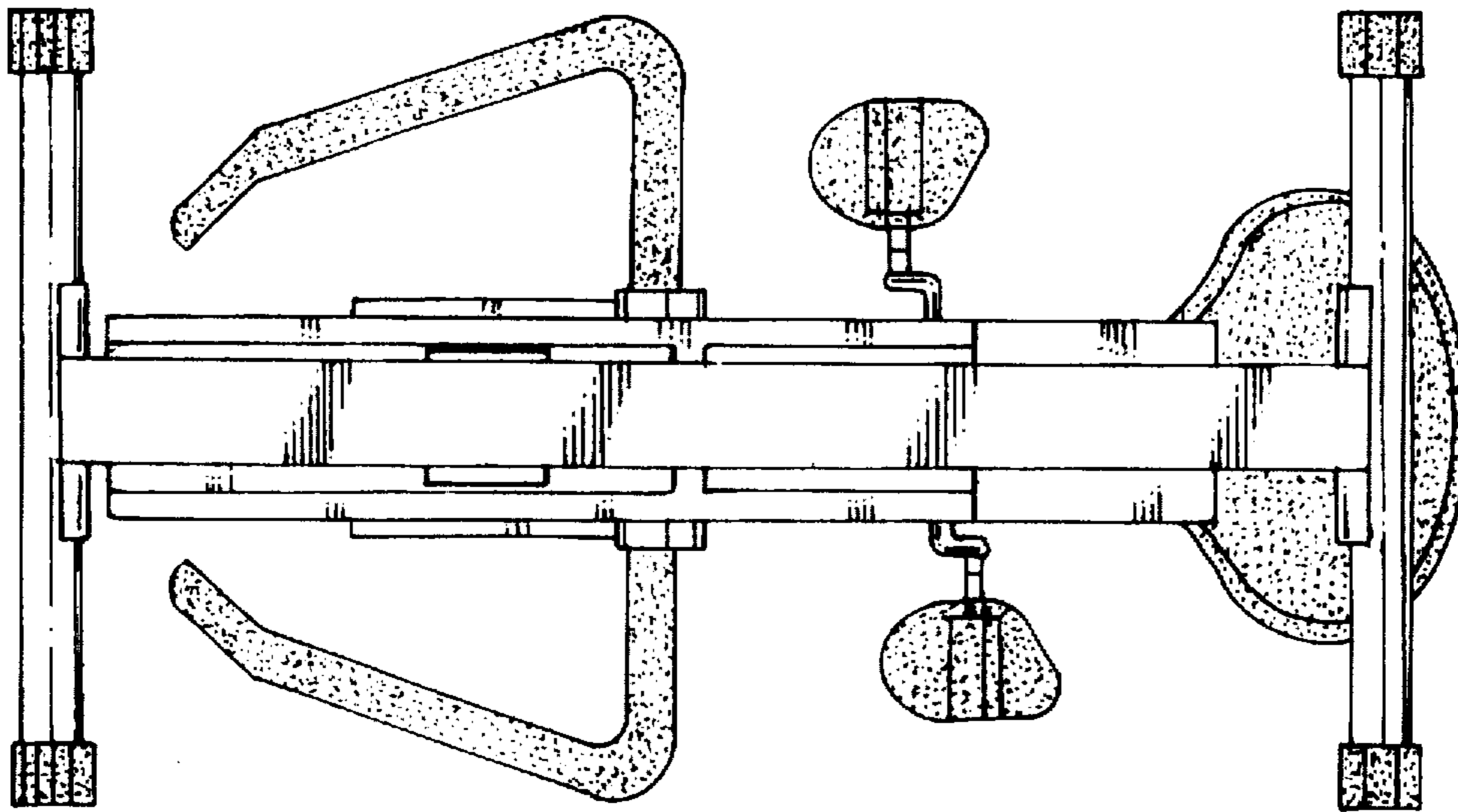


Fig. 5

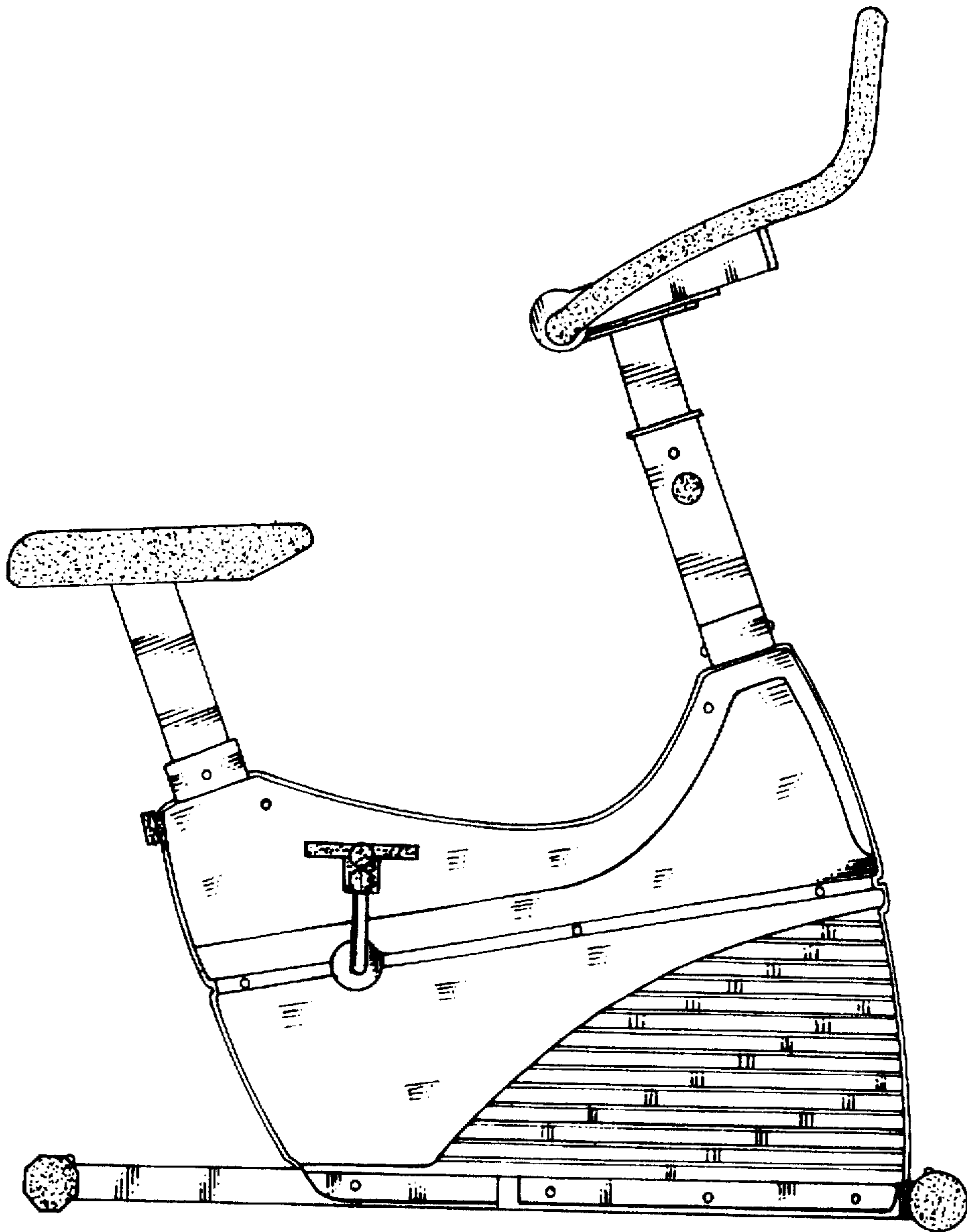


Fig. 6

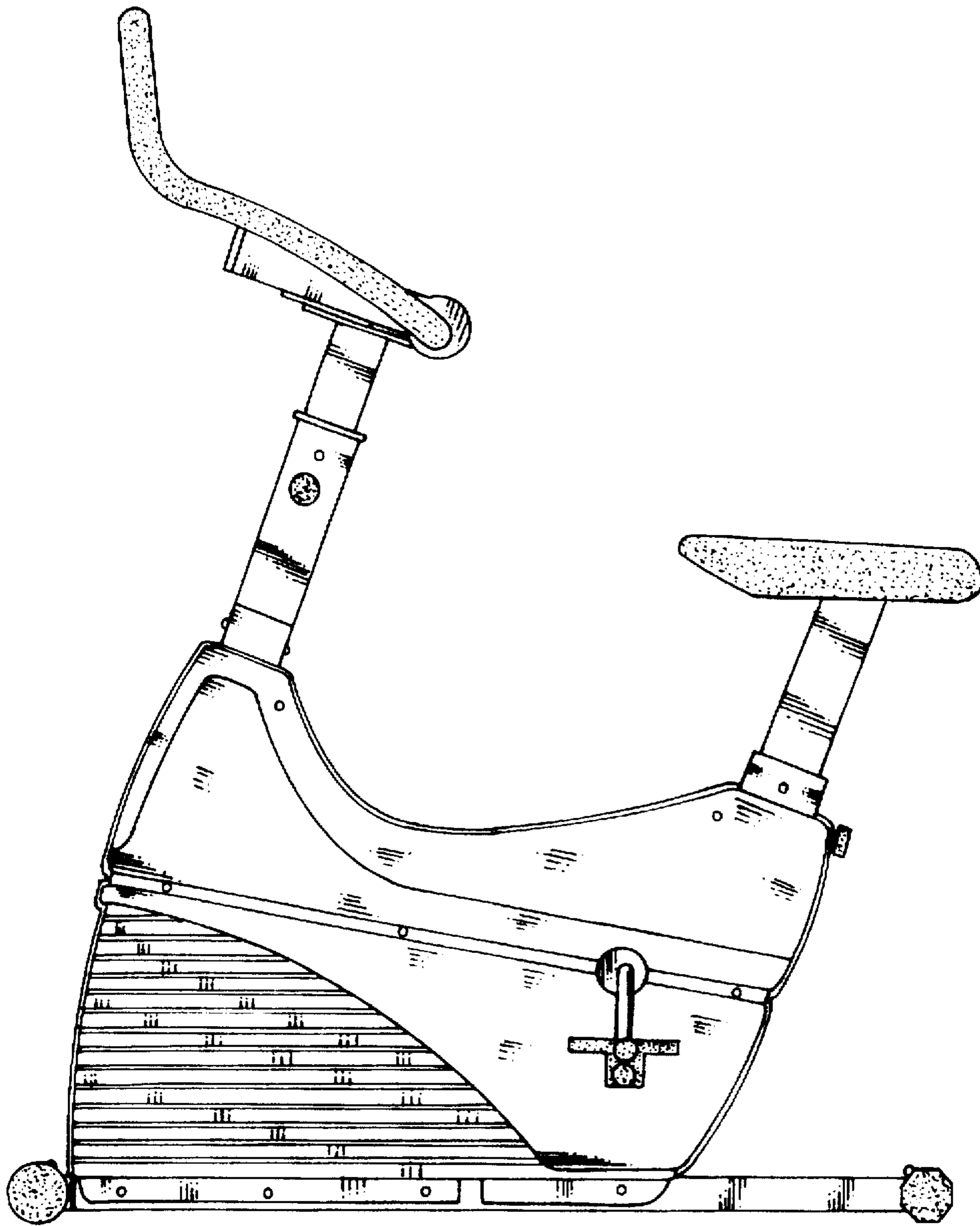


Fig. 7