



US00D398672S

United States Patent [19]

Sands et al.

[11] Patent Number: **Des. 398,672**

[45] Date of Patent: ****Sep. 22, 1998**

[54] EXERCISER

[76] Inventors: **Lenny Sands**, 4555 Reseda Blvd.,
Tarzana, Calif. 91356; **Johnson Kuo**,
5F., No. 6, Lane 12, Sec. 6, Hsin I Rd.,
Taipei, Taiwan

[**] Term: **14 Years**

[21] Appl. No.: **75,661**

[22] Filed: **Aug. 27, 1997**

[51] LOC (6) Cl. **21-02**

[52] U.S. Cl. **D21/194**

[58] Field of Search D21/191, 192,
D21/193, 194, 195; 482/51, 52, 53, 57,
58, 59

[56] **References Cited**

U.S. PATENT DOCUMENTS

- D. 330,236 10/1992 Jarriel et al. D21/194
- D. 372,282 7/1996 Pasero et al. D21/194

- 5,518,473 5/1996 Miller 482/52
- 5,562,574 10/1996 Miller 482/52
- 5,595,553 1/1997 Rodgers, Jr. 482/52
- 5,929,954 10/1997 Eschenbach 482/57

Primary Examiner—Philip S. Hyder
Attorney, Agent, or Firm—Varndell Legal Group

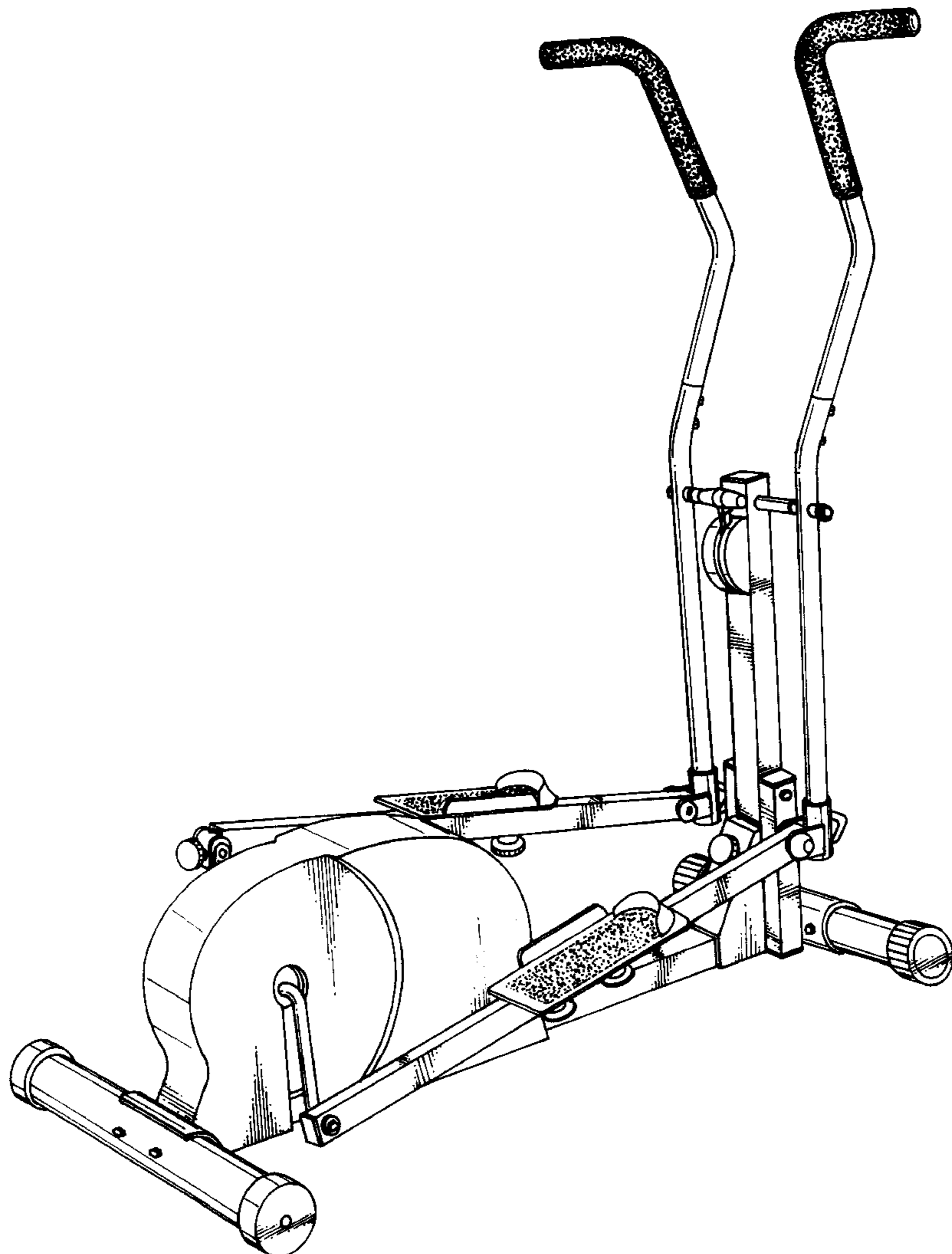
[57] **CLAIM**

The ornamental design for an exerciser, as shown and described.

DESCRIPTION

FIG. 1 is a perspective view of an exerciser showing our new design;
FIG. 2 is a front elevational view thereof;
FIG. 3 is a rear elevational view thereof;
FIG. 4 is a top plan view thereof;
FIG. 5 is a bottom plan view thereof;
FIG. 6 is a left side elevational view thereof; and,
FIG. 7 is a right side elevational view thereof.

1 Claim, 7 Drawing Sheets



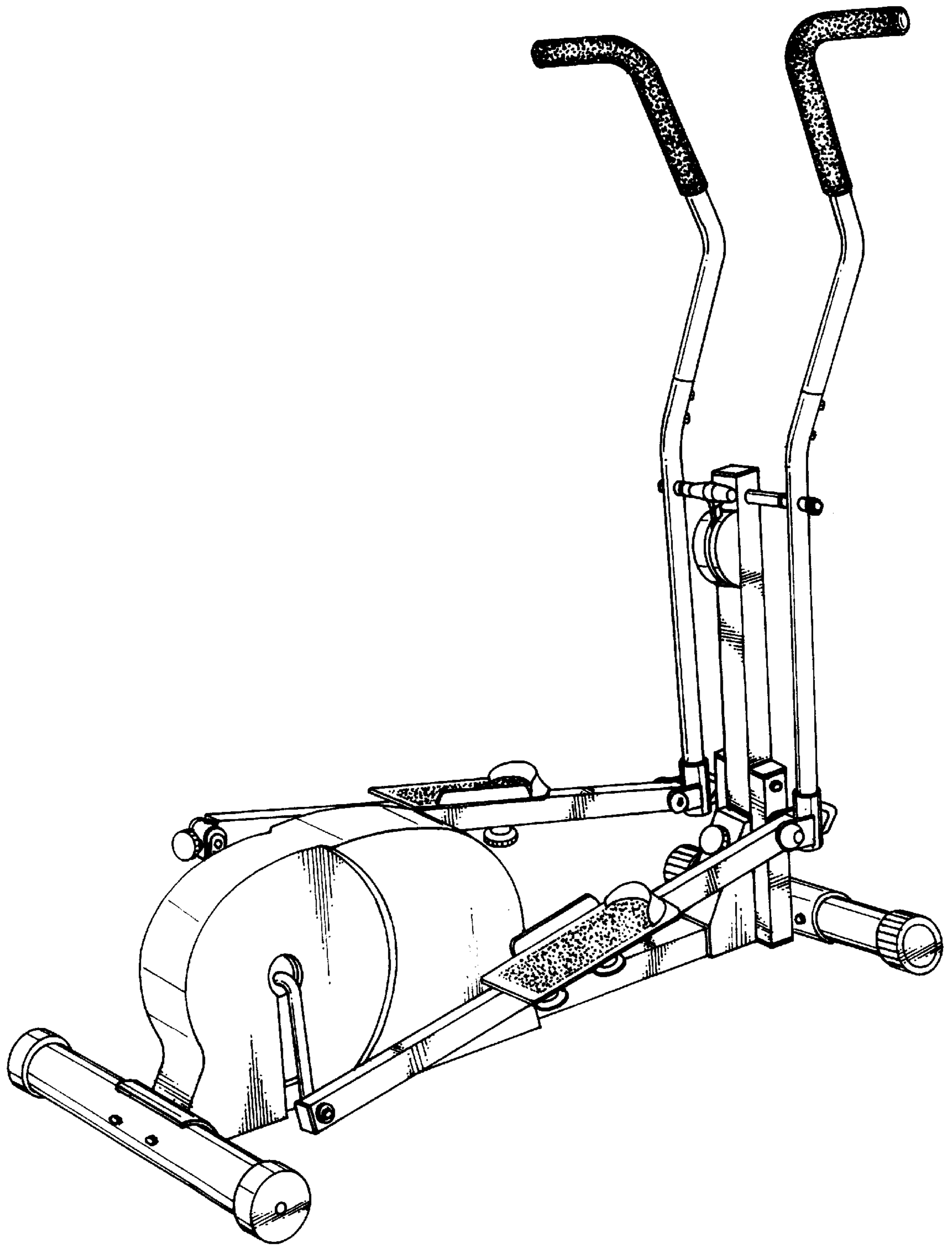


Fig. 1

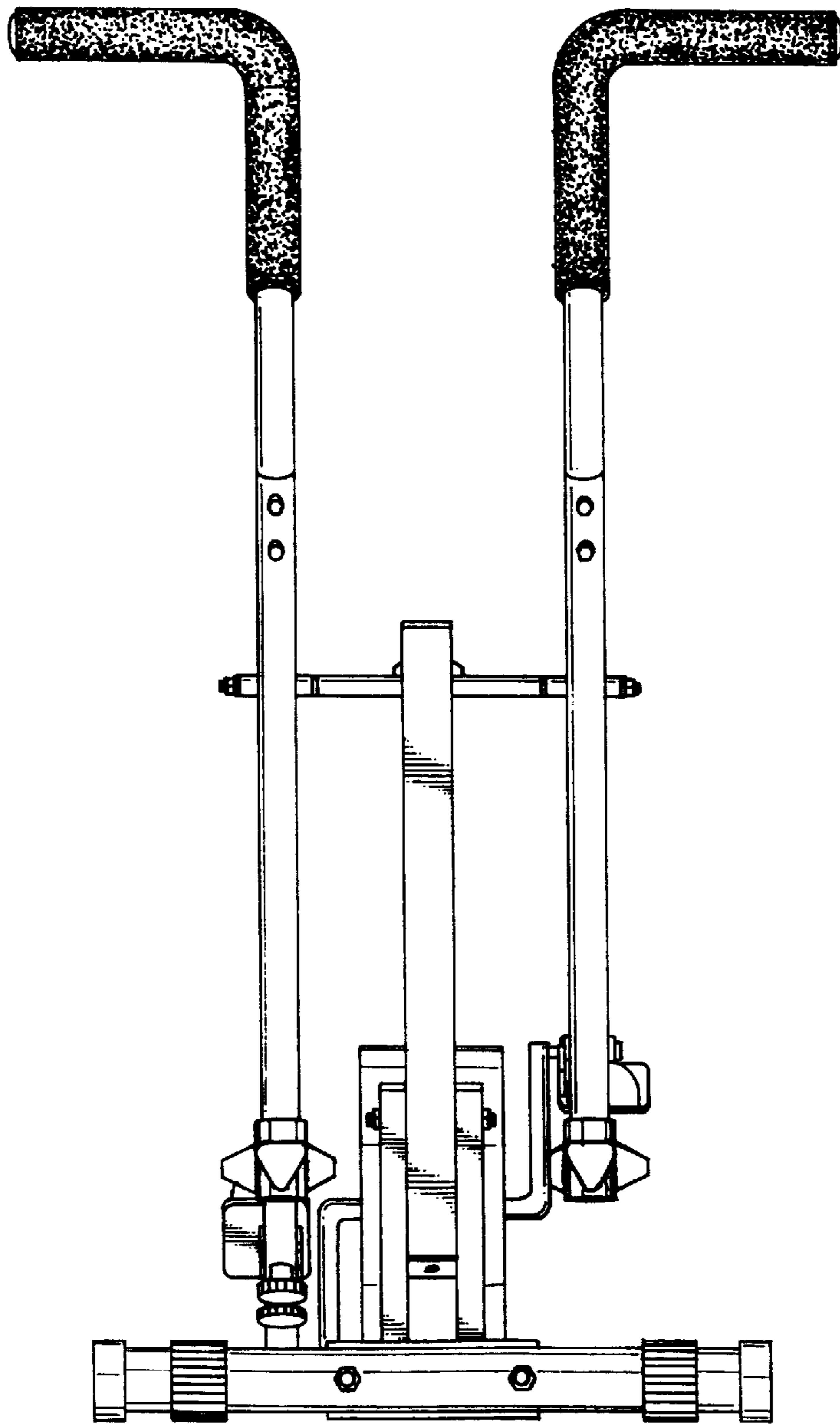


Fig. 2

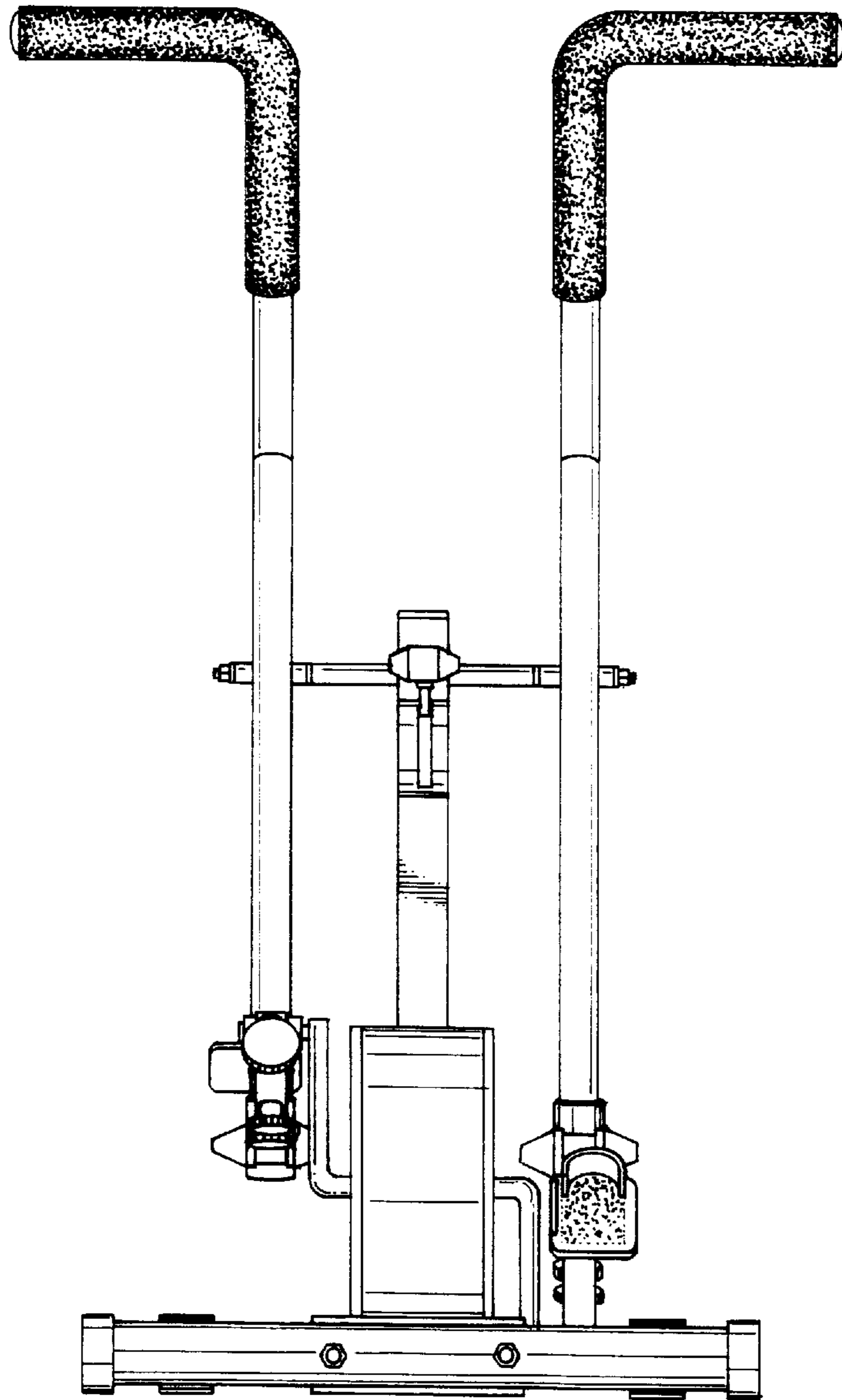


Fig. 3

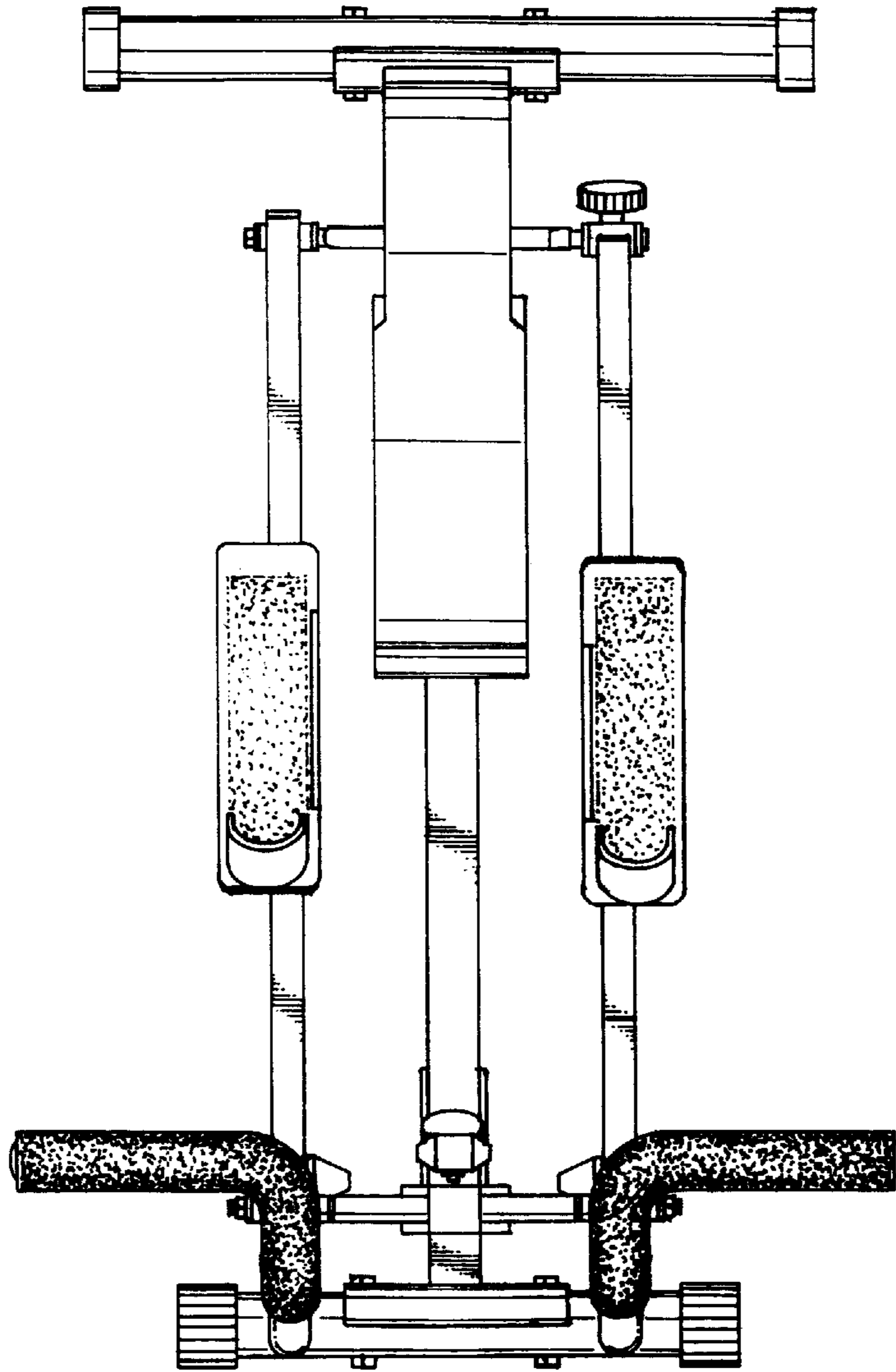


Fig. 4

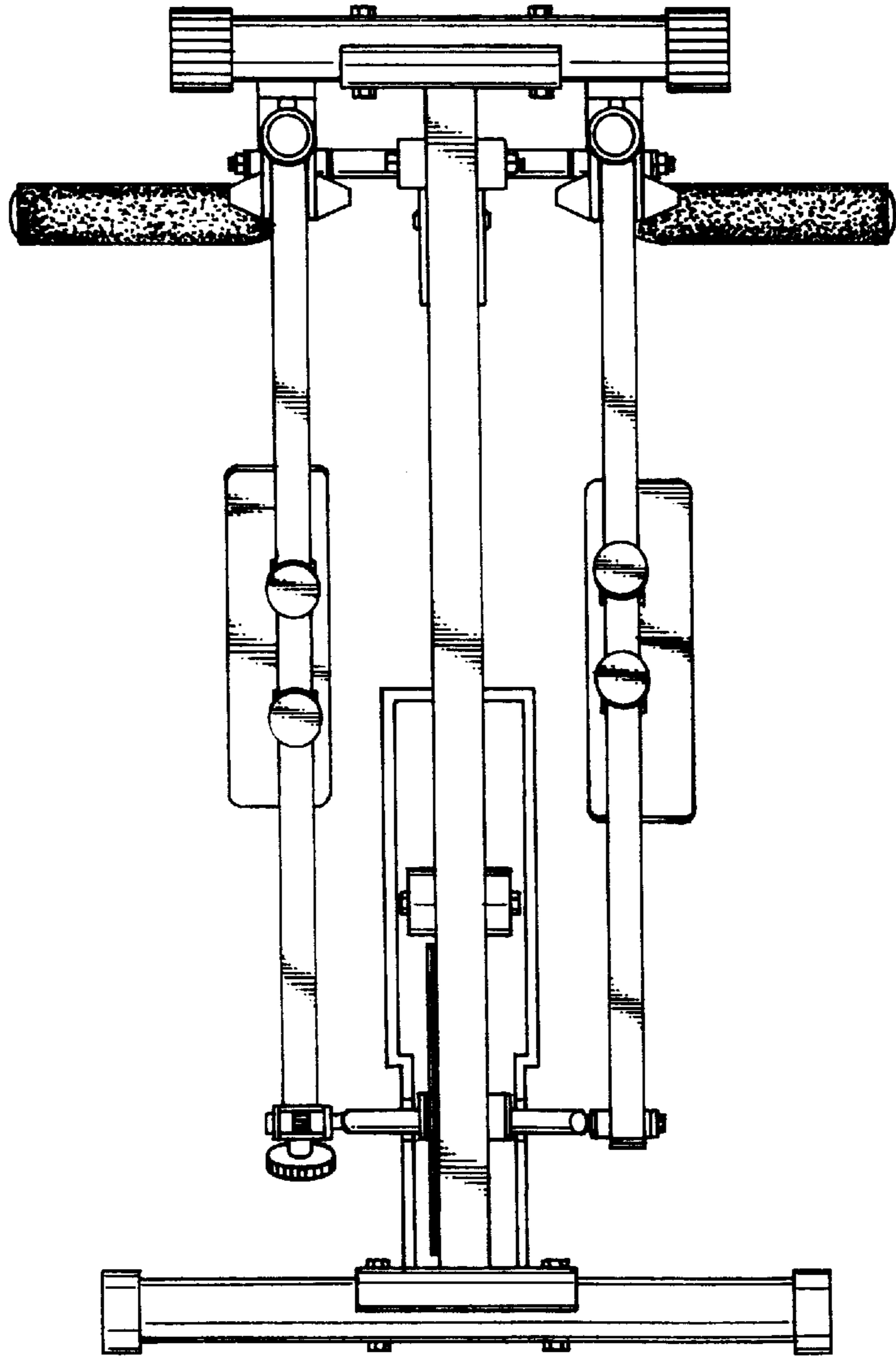


Fig. 5

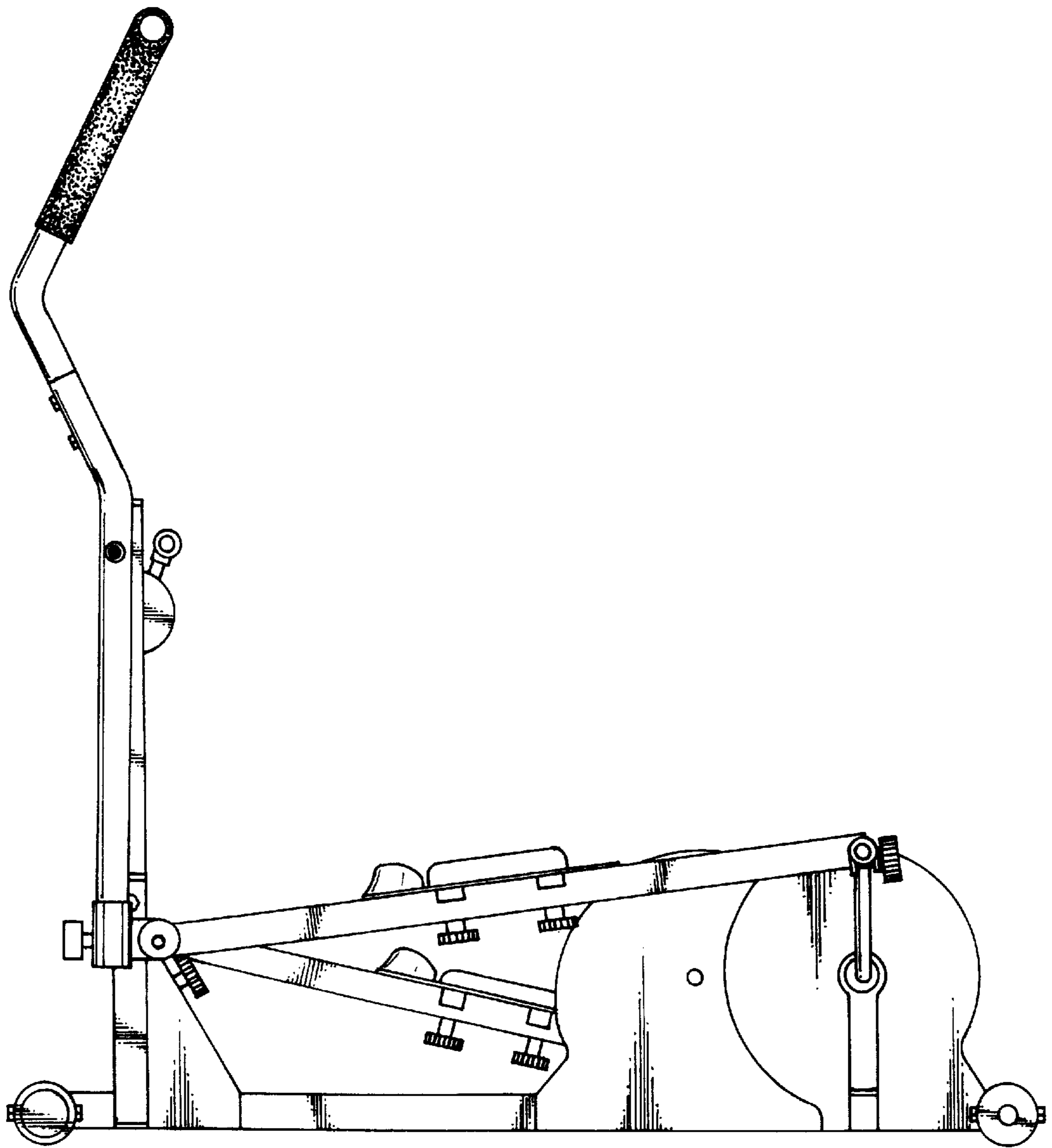


Fig. 6

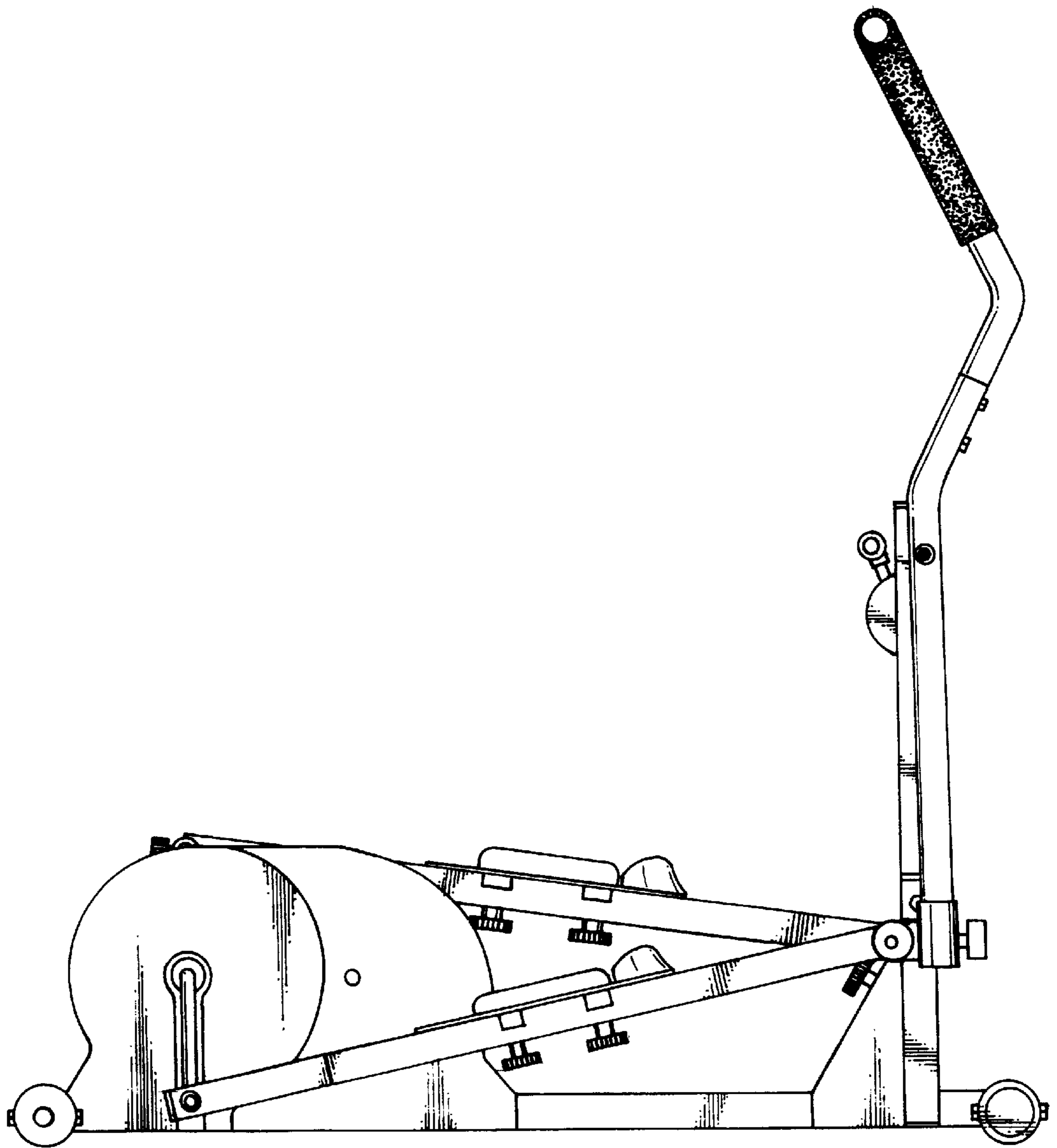


Fig. 7