



US00D398670S

United States Patent [19]
Crawford et al.

[11] **Patent Number: Des. 398,670**
[45] **Date of Patent: **Sep. 22, 1998**

[54] **REHABILITATION THERAPEUTIC DEVICE**

[76] Inventors: **Rodney K. Crawford**, 305 W. 42nd St., Apt. 16, Jasper, Ind. 47546; **Ronald K. Crawford**, 1300 33rd St., Tell City, Ind. 47586

[**] Term: **14 Years**

[21] Appl. No.: **70,814**

[22] Filed: **May 15, 1997**

[51] **LOC (6) Cl.** **21-02**

[52] **U.S. Cl.** **D21/191; D25/126**

[58] **Field of Search** D21/191, 195, D21/198; 482/129, 94, 130, 121; D25/128, 126

[56] **References Cited**

U.S. PATENT DOCUMENTS

D. 204,763	5/1966	Fulbright	D25/126
D. 254,143	2/1980	de Bock	.	
D. 259,649	6/1981	Uyeda	D21/195
D. 268,508	4/1983	Silberman et al.	D21/195
D. 274,538	7/1984	Grosser	D21/195
D. 296,575	7/1988	McNeil	D21/191
D. 298,057	10/1988	Mahnke et al.	D21/195
D. 366,121	1/1996	Picard	D25/126
704,840	7/1902	Korth et al.	.	
3,501,143	3/1970	Guerin	.	
3,618,942	11/1971	Bates	.	
4,666,151	5/1987	Chillier	.	

4,685,670	8/1987	Zinkin	.	
4,974,836	12/1990	Hirsch	.	
5,324,243	6/1994	Wilkinson	482/42
5,536,228	7/1996	Tanner, Jr.	482/30
5,556,369	9/1996	Roberts	482/131
5,586,962	12/1996	Hallmark	482/129
5,601,518	2/1997	Weintraub	482/129

Primary Examiner—Philip S. Hyder
Attorney, Agent, or Firm—Dinsmore & Shohl LLP

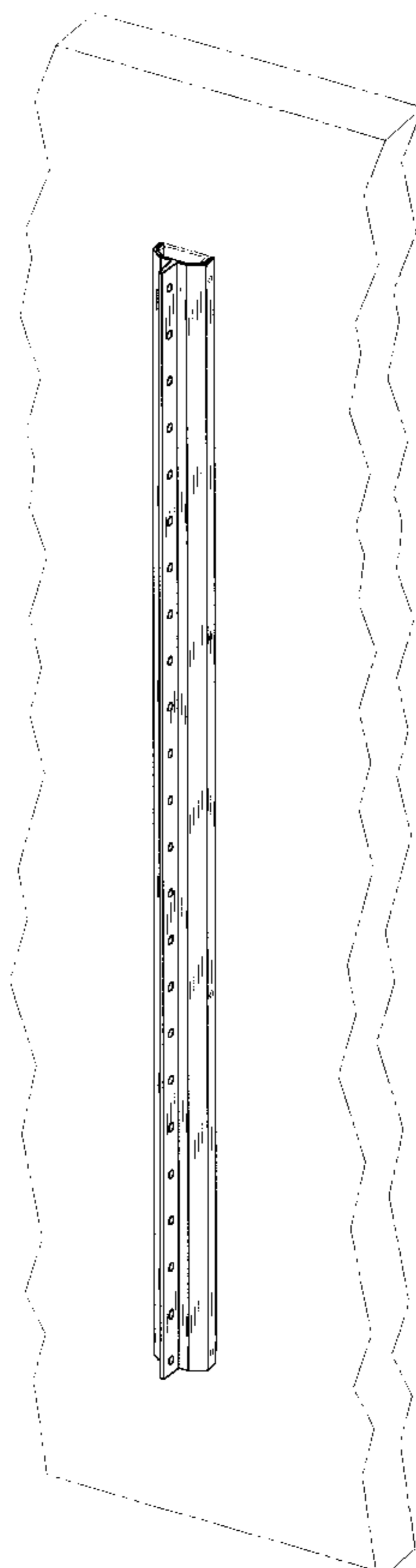
[57] **CLAIM**

The ornamental design for a rehabilitation therapeutic device, as shown and described.

DESCRIPTION

FIG. 1 is a perspective view of a rehabilitation therapeutic device embodying our new design; FIG. 2 is a partial, enlarged perspective view of the rehabilitation therapeutic device of FIG. 1; FIG. 3 is an enlarged top plan view thereof; FIG. 4 is a front elevational view thereof; FIG. 5 is a rear elevational view thereof; and, FIG. 6 is a right side elevational view thereof. The left side elevational view would be the mirror image of FIG. 6, and the bottom plan view thereof would be the mirror image of FIG. 3. The broken line portions of the drawing disclosure are for illustrative purposes only and forms no part of the claimed design.

1 Claim, 2 Drawing Sheets



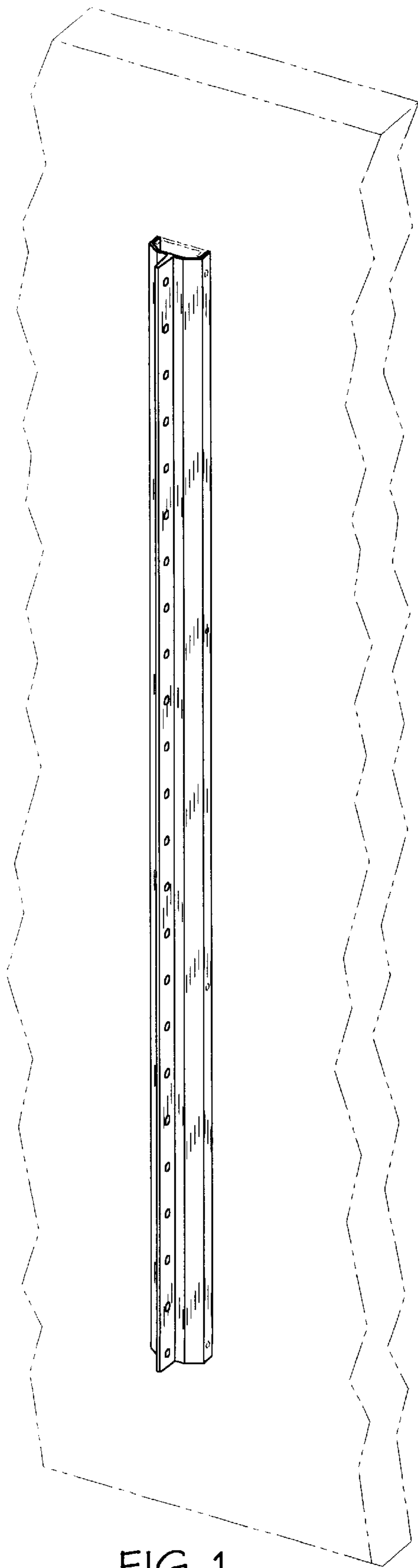


FIG. 1

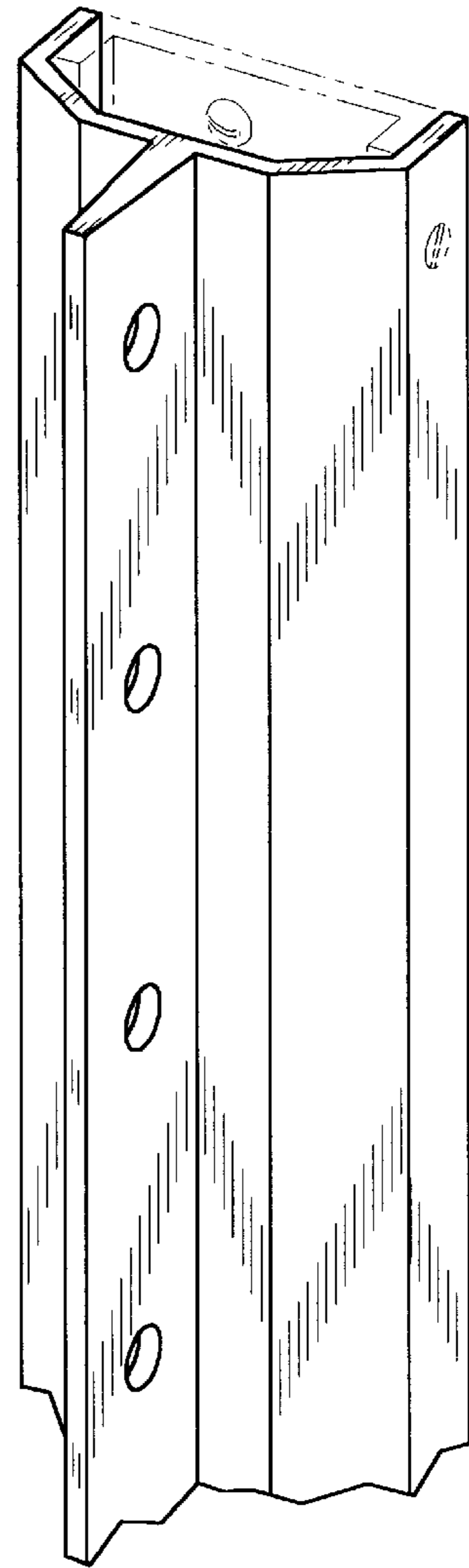


FIG. 2

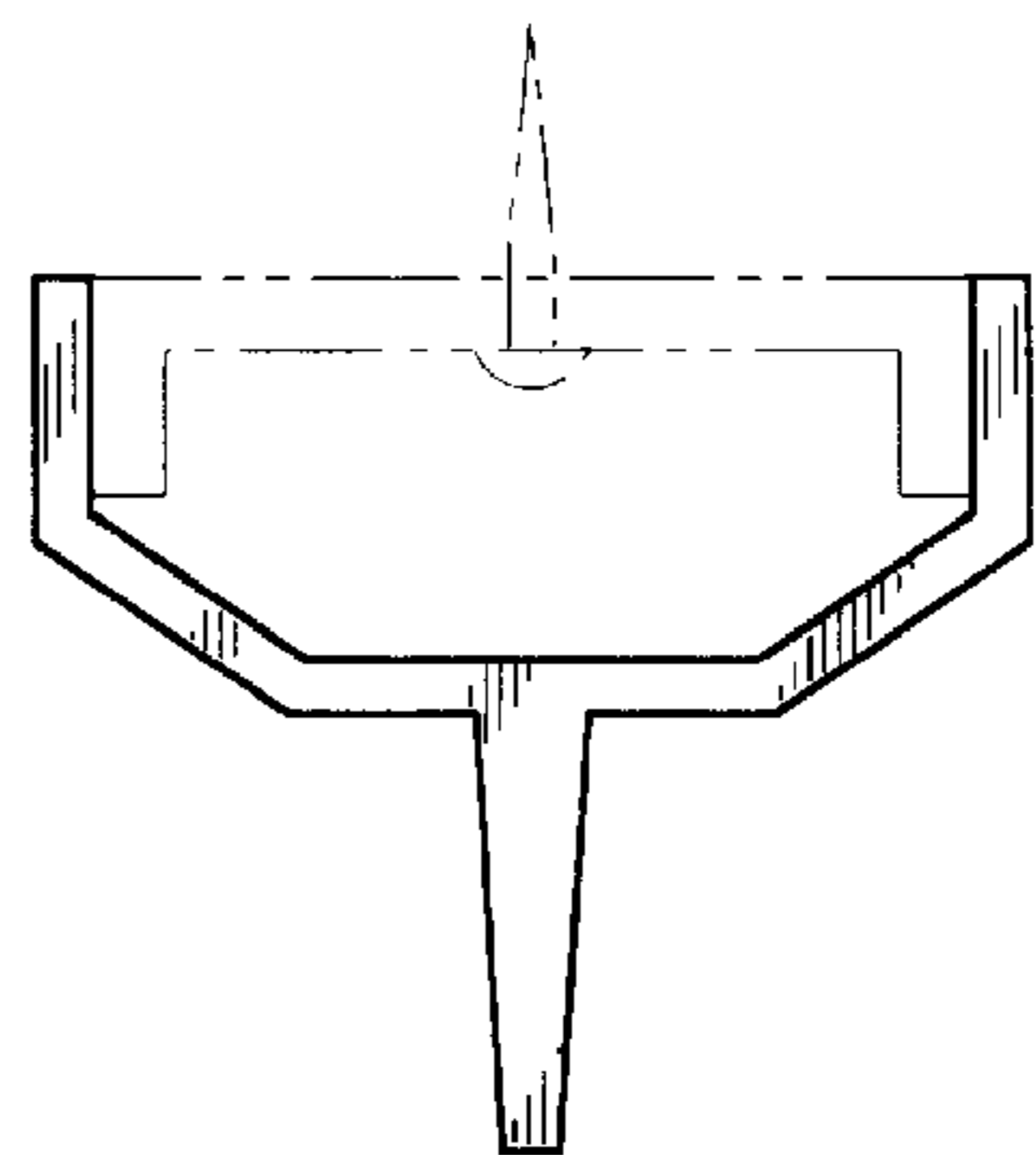


FIG. 3

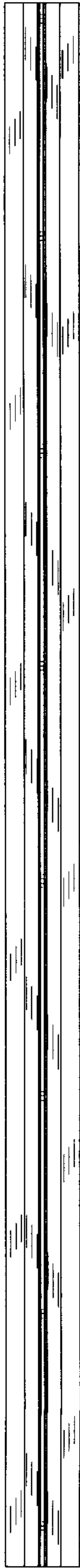


FIG. 4

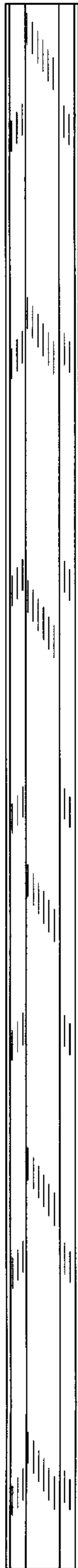


FIG. 5

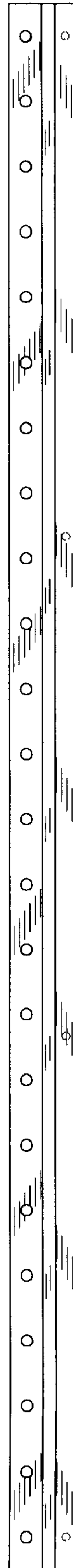


FIG. 6