



US00D398669S

# United States Patent [19]

Anderson et al.

[11] Patent Number: Des. 398,669

[45] Date of Patent: \*\*Sep. 22, 1998

[54] EXERCISE DEVICE

[75] Inventors: **Martin D. Anderson**, 4131 E. Superior St., Duluth, Minn. 55804; **Thomas A. Walter**, Cologne, Minn.

[73] Assignee: **Martin D. Anderson**, Duluth, Minn.

[\*\*] Term: 14 Years

[21] Appl. No.: 70,205

[22] Filed: May 7, 1997

[51] LOC (6) Cl. .... 21-02

[52] U.S. Cl. .... D21/191

[58] Field of Search ..... D21/191, 192, D21/193, 194, 195; D6/330, 354; 482/142

[56] **References Cited**

U.S. PATENT DOCUMENTS

D. 292,452	10/1987	Rykken	.....	D6/354
D. 292,453	10/1987	Opsvik	.....	D6/354
D. 292,455	10/1987	Rykken	.....	D6/354
D. 292,756	11/1987	Opsvik	.....	D6/354
D. 292,852	11/1987	Rykken	.....	D6/354

D. 295,119	4/1988	Gusrud	.....	D6/330
D. 296,959	8/1988	Gusrud	.....	D6/330
D. 348,568	7/1994	Landry	.....	D6/330
5,487,590	1/1996	Haynes	.....	482/142
5,496,247	3/1996	Anderson	.....	482/142

Primary Examiner—Philip S. Hyder  
Attorney, Agent, or Firm—Palmatier, Sjoquist, Voigt & Christensen, P.A.

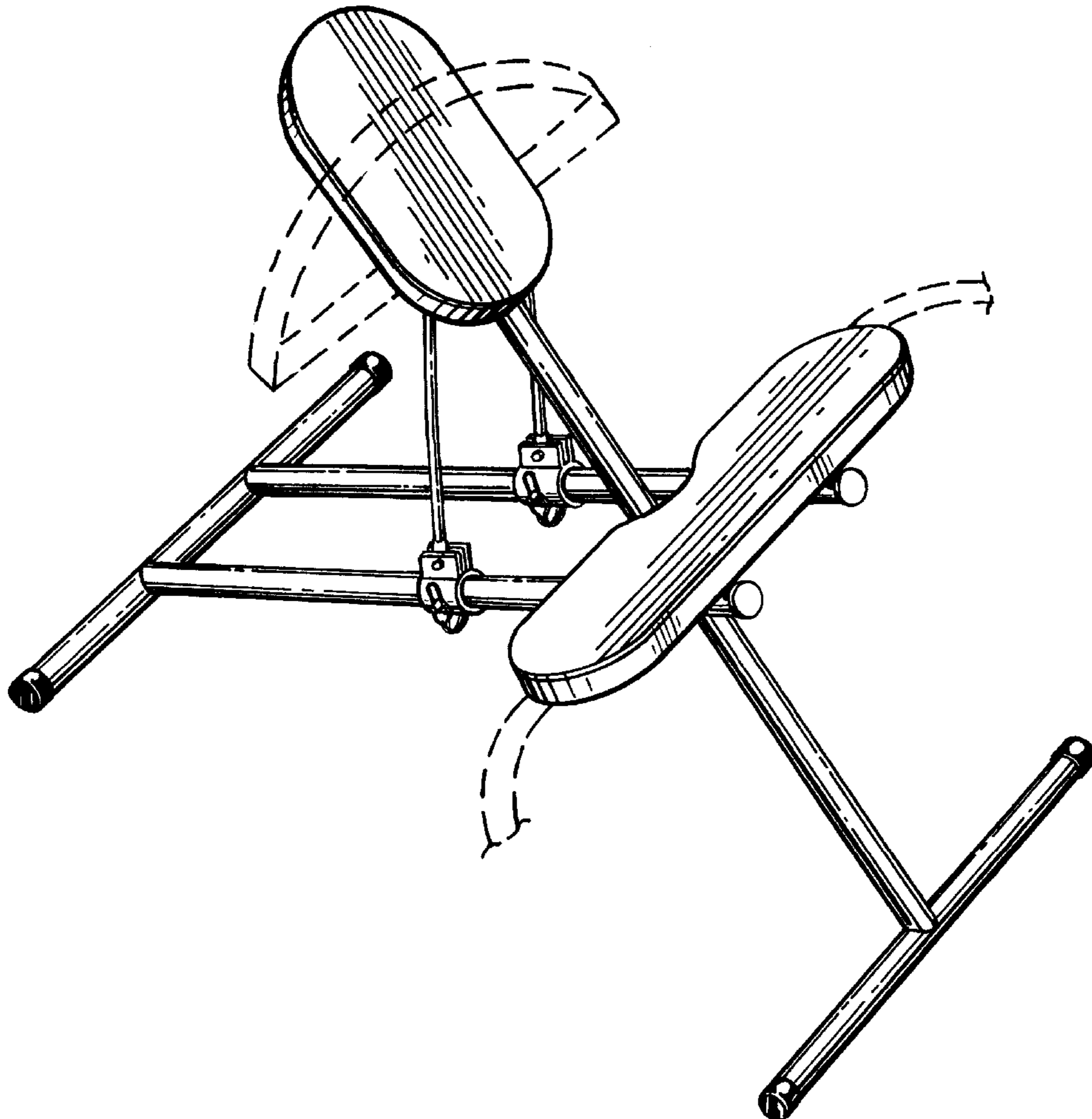
[57] **CLAIM**

The ornamental design for an exercise device, as shown and described.

**DESCRIPTION**

FIG. 1 is an isometric view of the design; user attachment belts are shown in dotted outline and do not form a part of our ornamental design;  
FIG. 2 is a front view of the design;  
FIG. 3 is a rear view of the design;  
FIG. 4 is a top view of the design;  
FIG. 5 is a right side elevation view of the design; the left side elevation view being a mirror image thereof; and,  
FIG. 6 is a bottom view of the design.

1 Claim, 2 Drawing Sheets



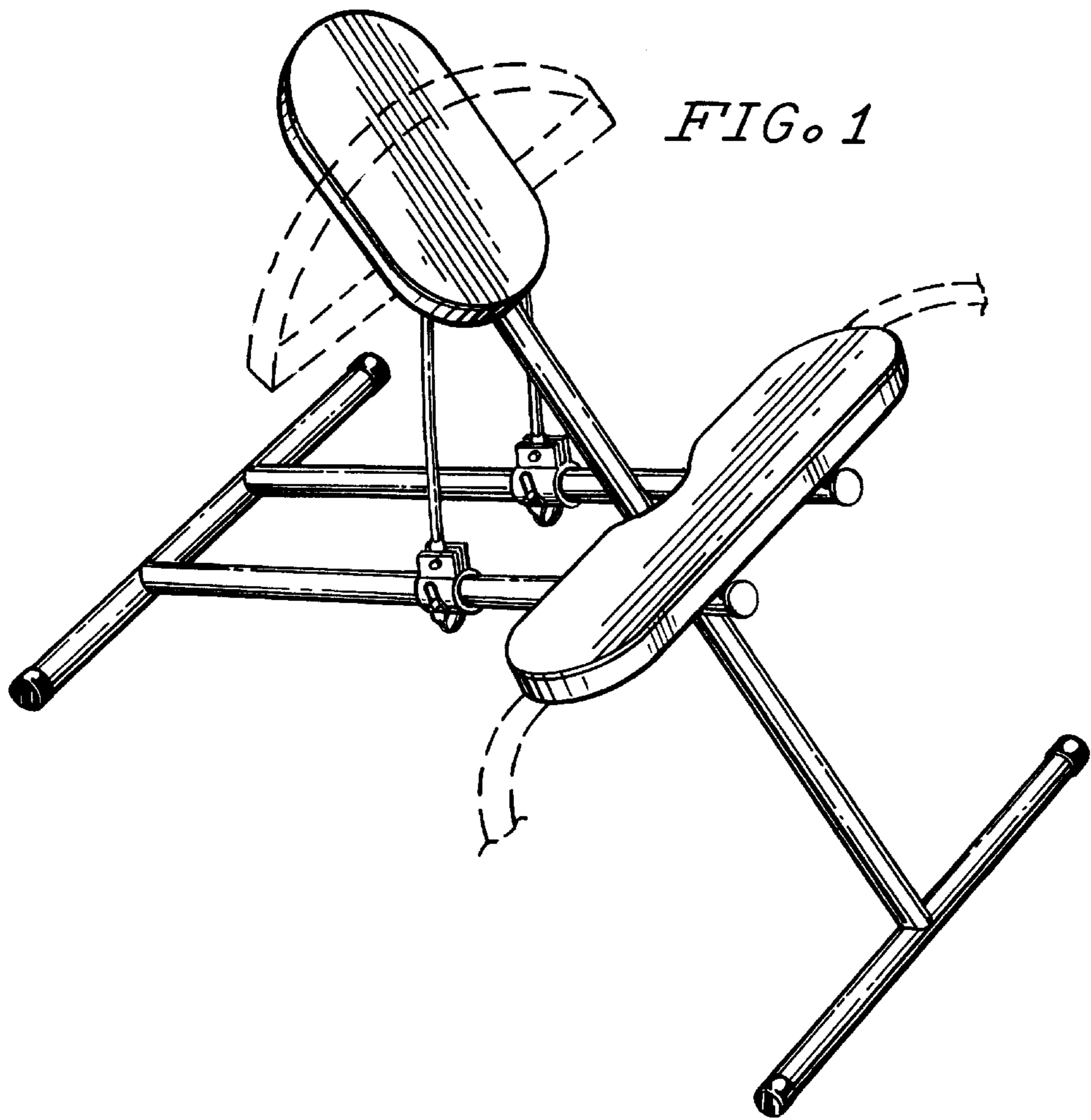


FIG. 2

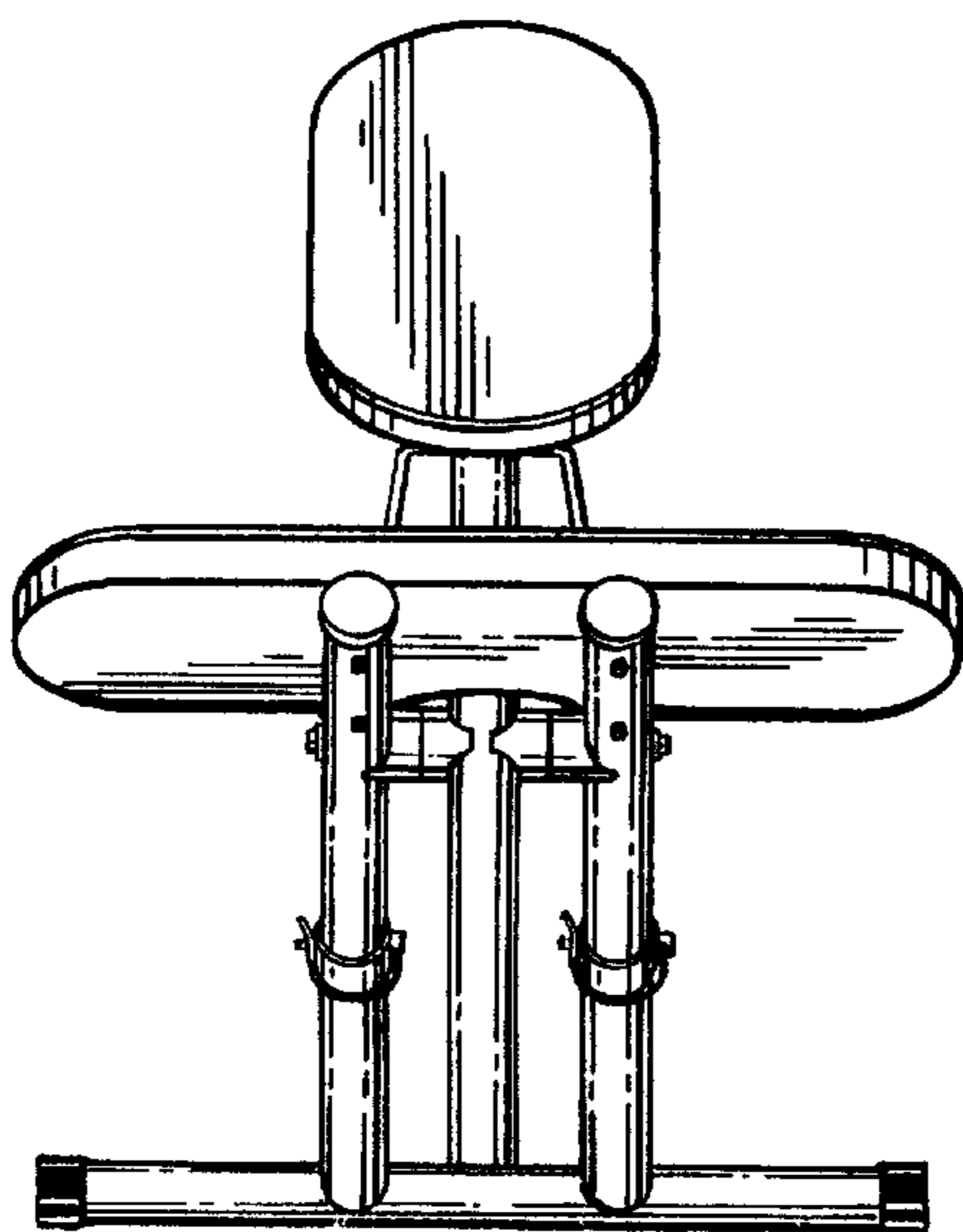


FIG. 3

