



US00D398664S

United States Patent [19]
Freelander

[11] **Patent Number: Des. 398,664**

[45] **Date of Patent: **Sep. 22, 1998**

[54] **RIM CONFIGURATION FOR A TOY BUCKET**

[76] Inventor: **Michael S. Freelander**, 46 Whisper Dr., Worcester, Mass. 01609

[**] Term: **14 Years**

[21] Appl. No.: **64,581**

[22] Filed: **Jan. 6, 1997**

[51] **LOC (6) Cl.** **21-01**

[52] **U.S. Cl.** **D21/141; D9/447; D32/53**

[58] **Field of Search** D9/434, 435, 440, D9/447; D21/109, 120, 141; D32/53, 53.1, 54; 220/656, 695, 698, 700

[56] **References Cited**

U.S. PATENT DOCUMENTS

D. 323,116	1/1992	Dart et al.	D9/447
332,043	12/1885	Brien	220/698
D. 341,318	11/1993	Brown	D9/447
D. 345,833	4/1994	Truran	D32/54
D. 369,975	5/1996	Simon	D9/435

D. 379,302 5/1997 Rodman D9/440

Primary Examiner—Sandra L. Morris
Assistant Examiner—Adir Aronovich
Attorney, Agent, or Firm—Salter & Michaelson

[57] **CLAIM**

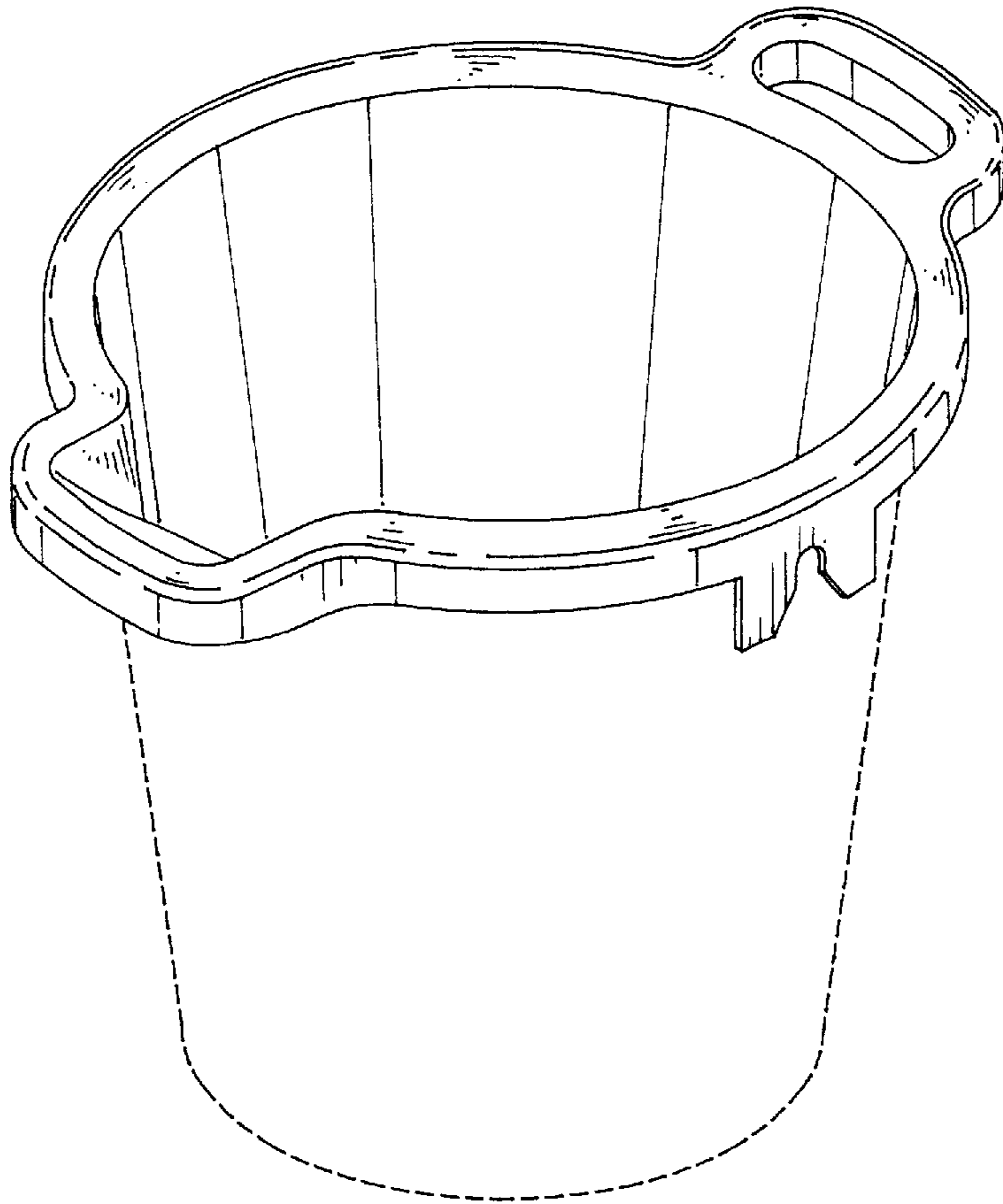
The ornamental design for a rim configuration for a toy bucket, as shown and described.

DESCRIPTION

FIG. 1 is a perspective view of the present rim configuration showing my new design;
FIG. 2 is a top view thereof;
FIG. 3 is a bottom view thereof;
FIG. 4 is a right side view thereof;
FIG. 5 is a left side view thereof;
FIG. 6 is a front view thereof; and,
FIG. 7 is a rear view thereof.

The lower body portion of the bucket is illustrated in broken lines in FIGS. 1-7 for environmental purposes only, and it is not intended to form any part of the present design.

1 Claim, 4 Drawing Sheets



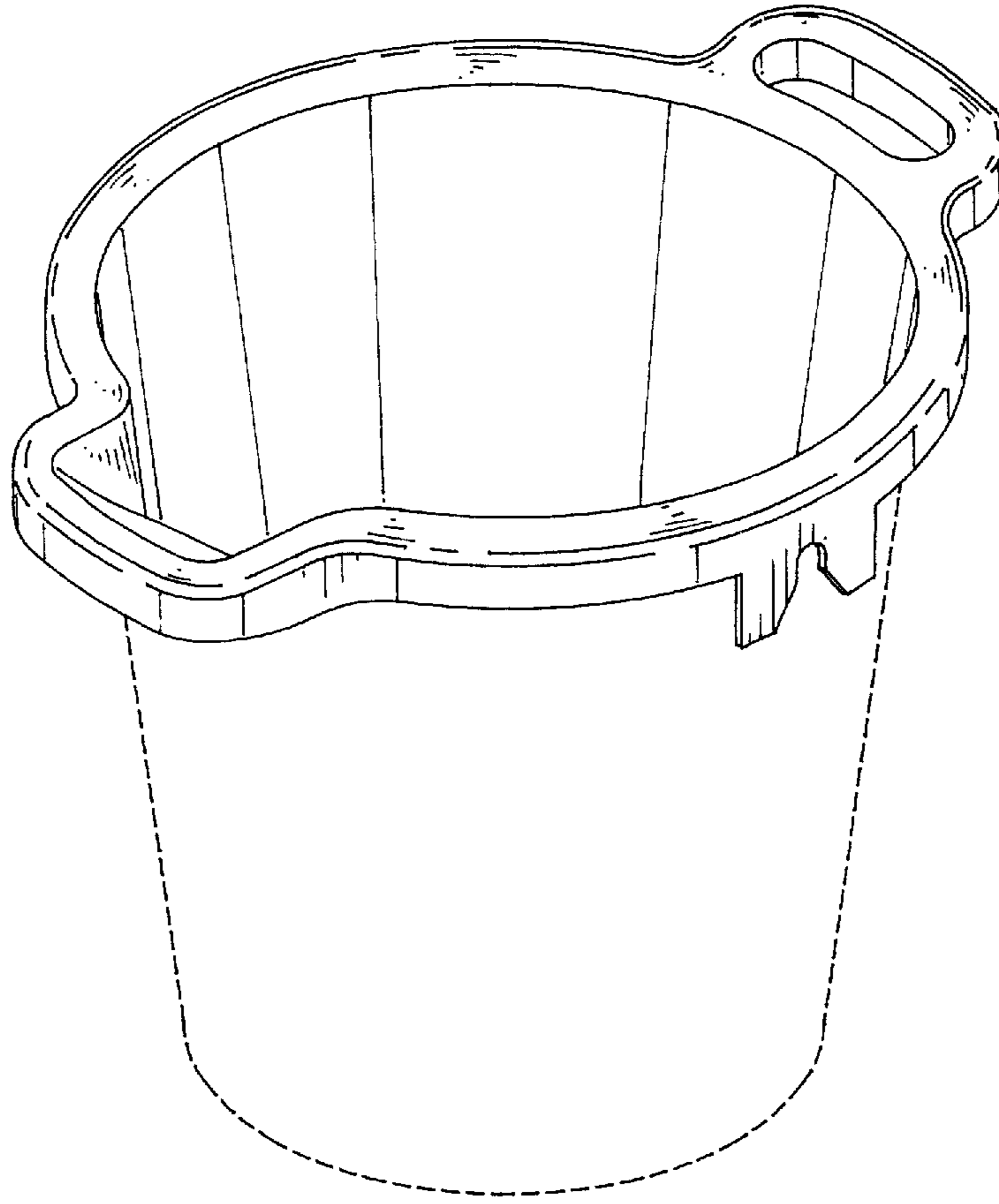


FIG. 1

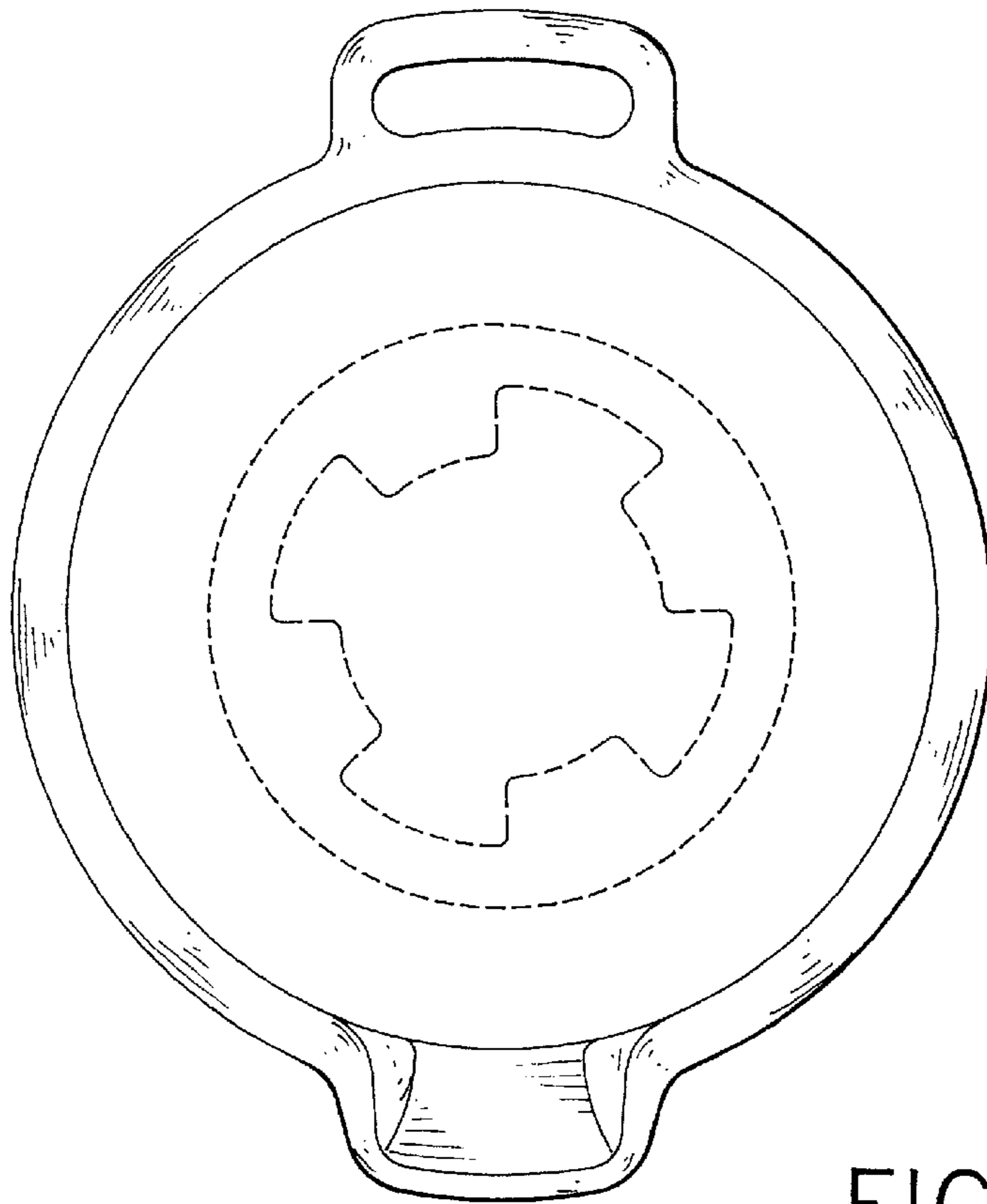


FIG. 2

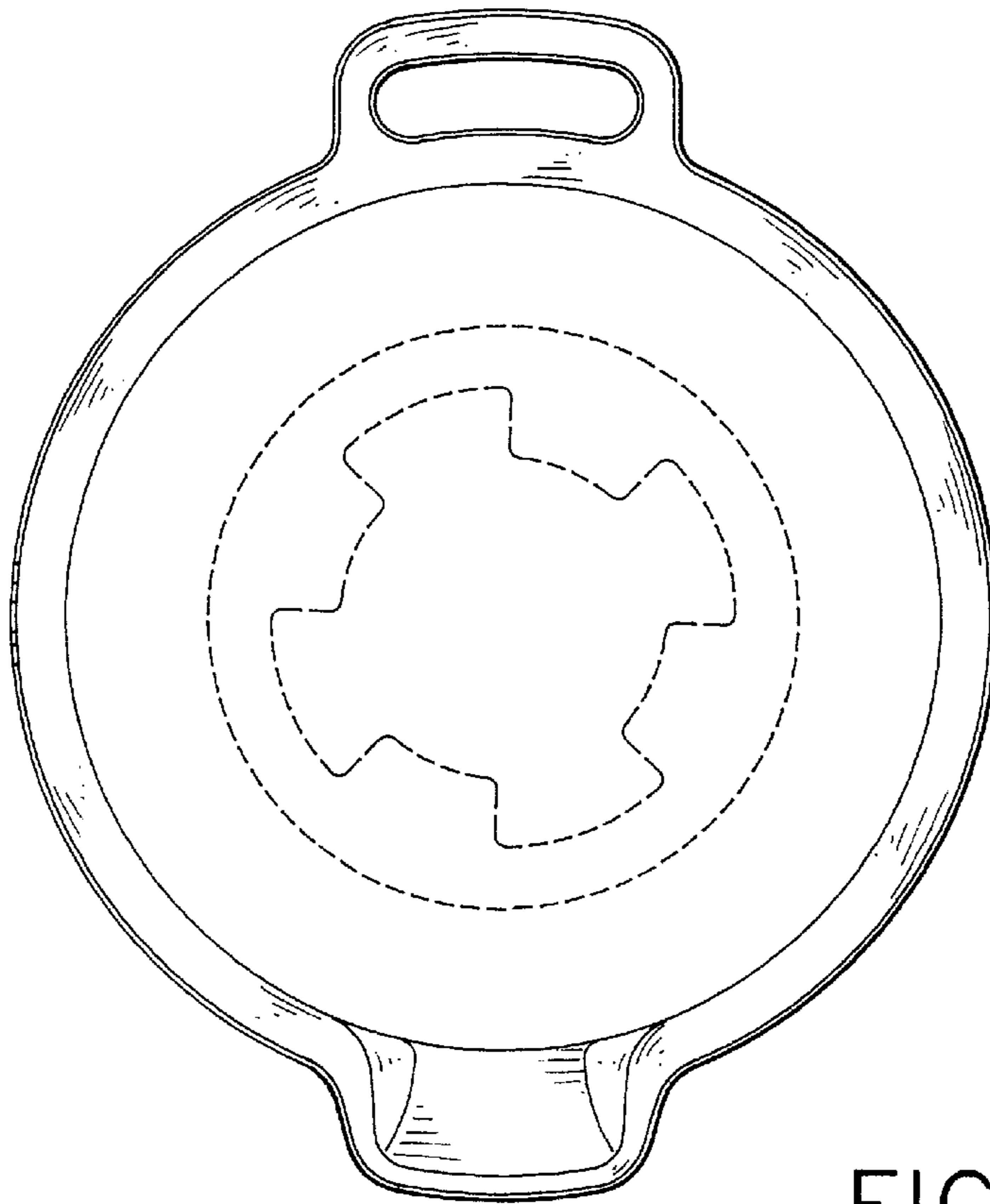


FIG. 3

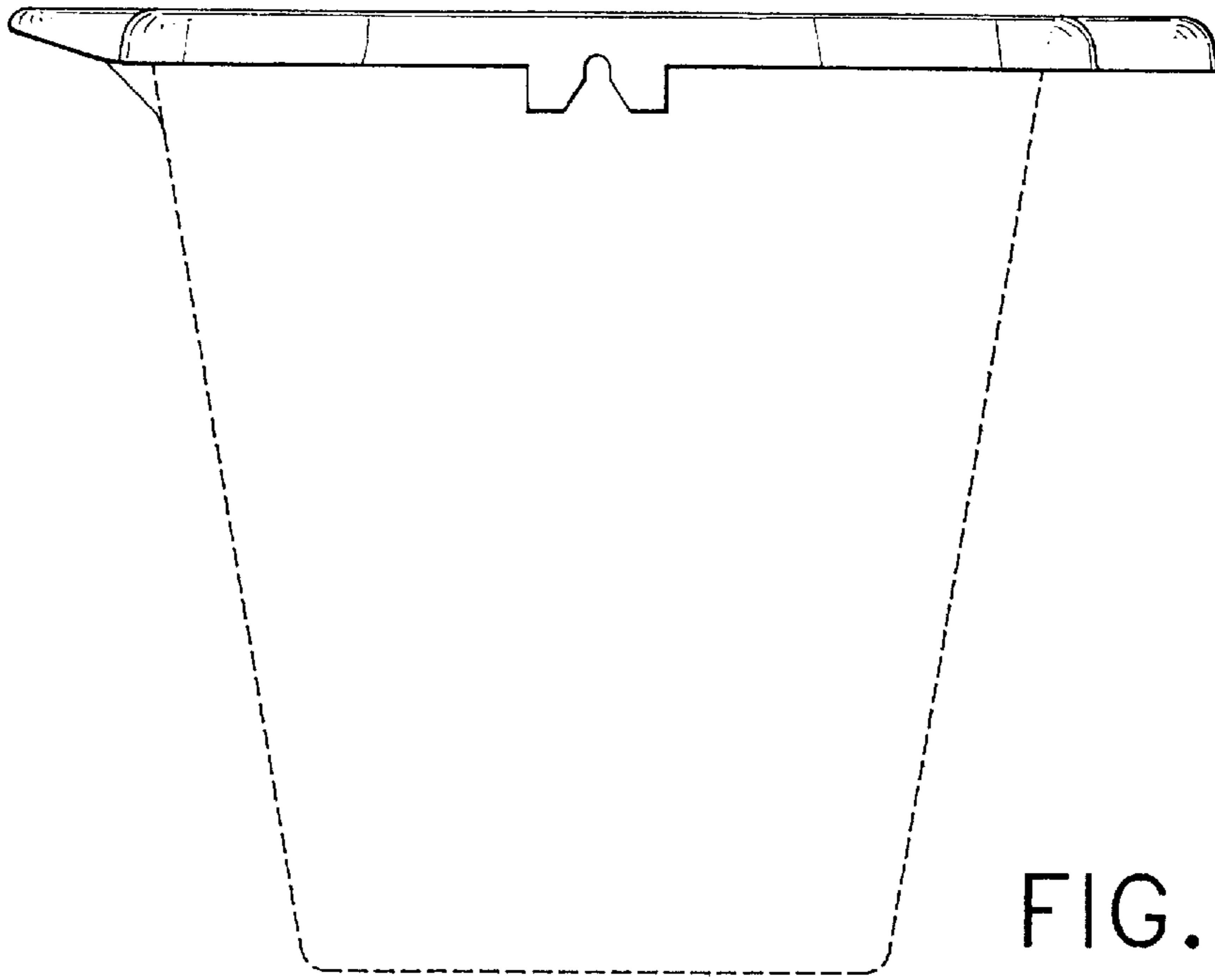


FIG. 4

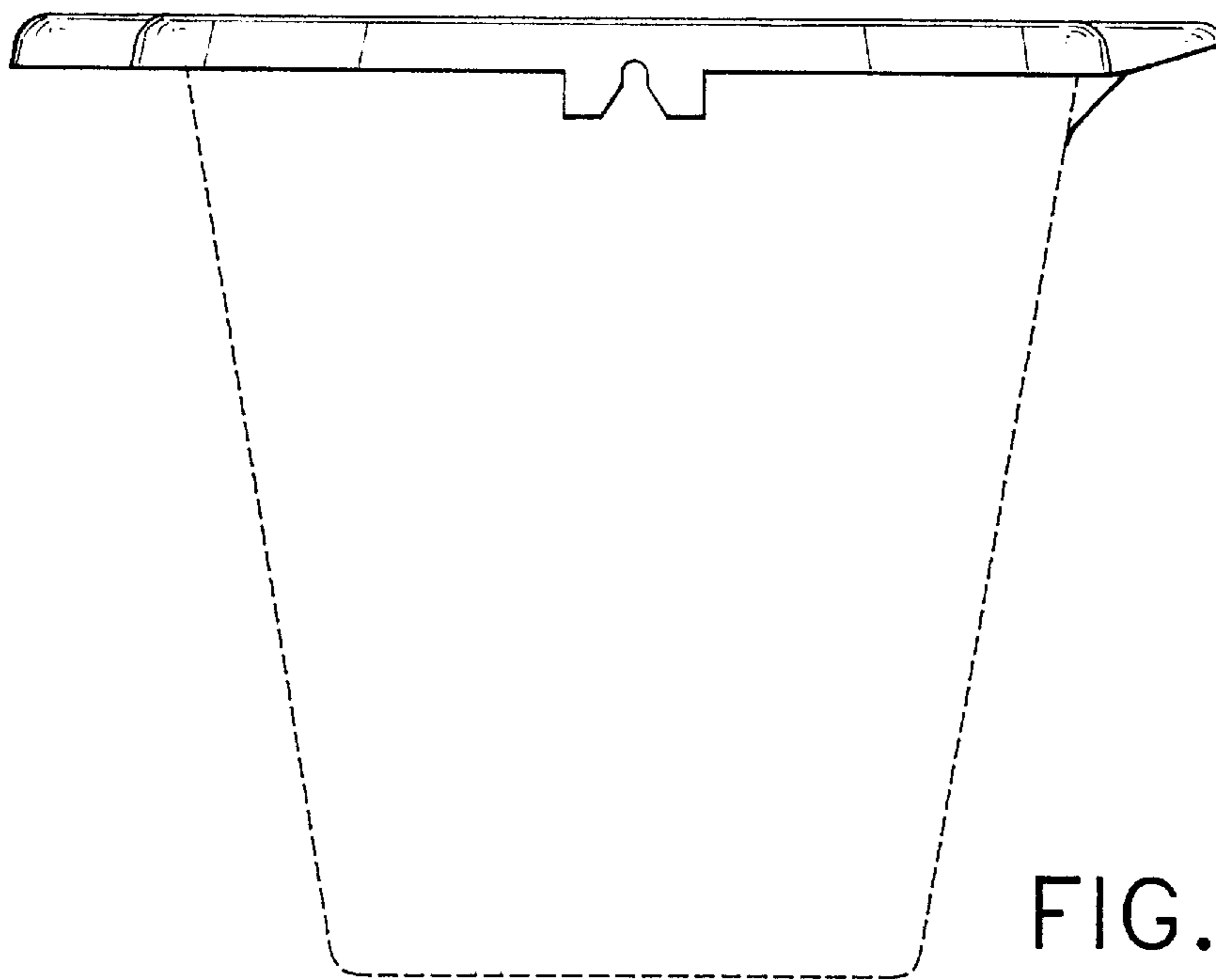


FIG. 5

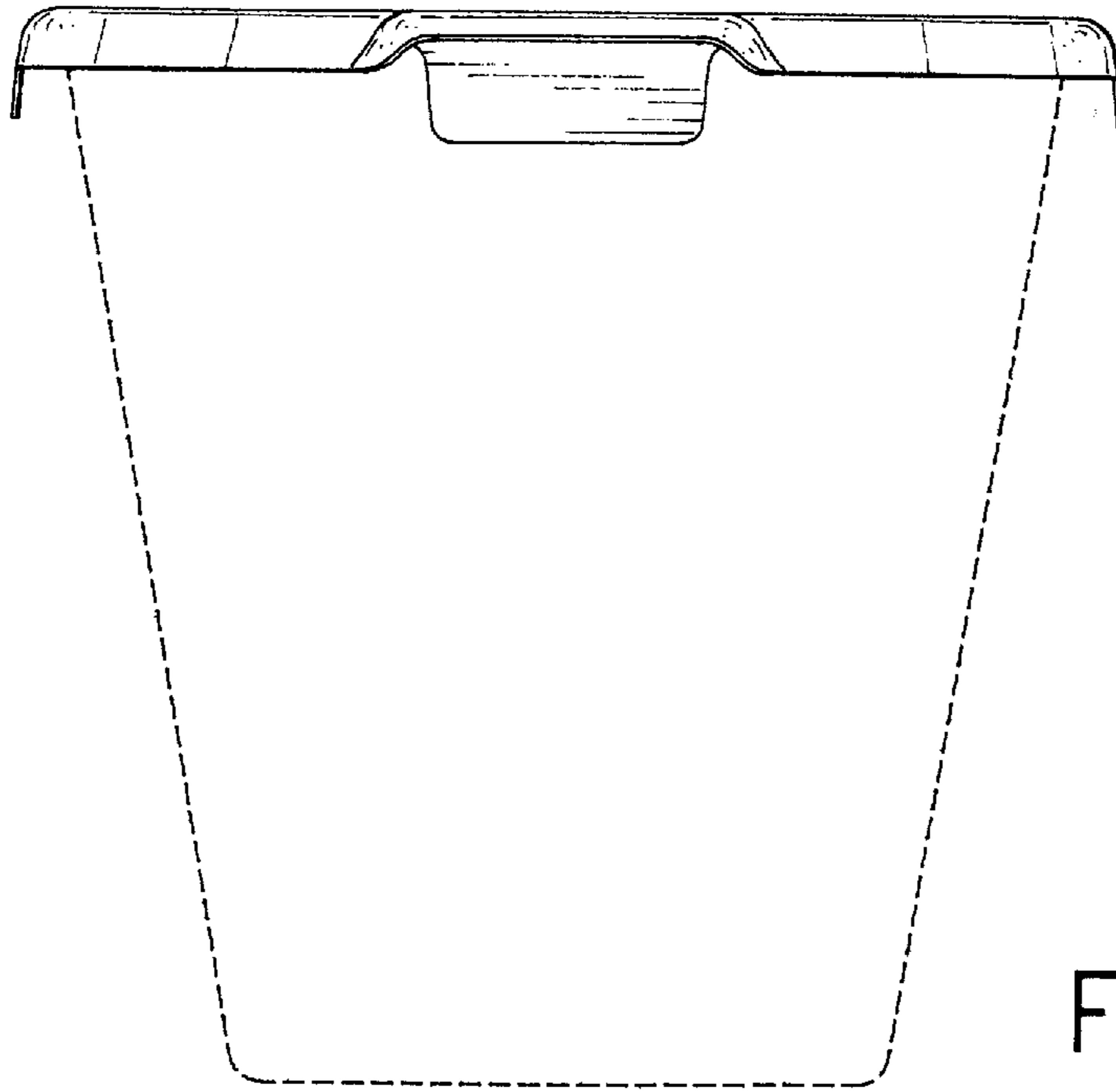


FIG. 6

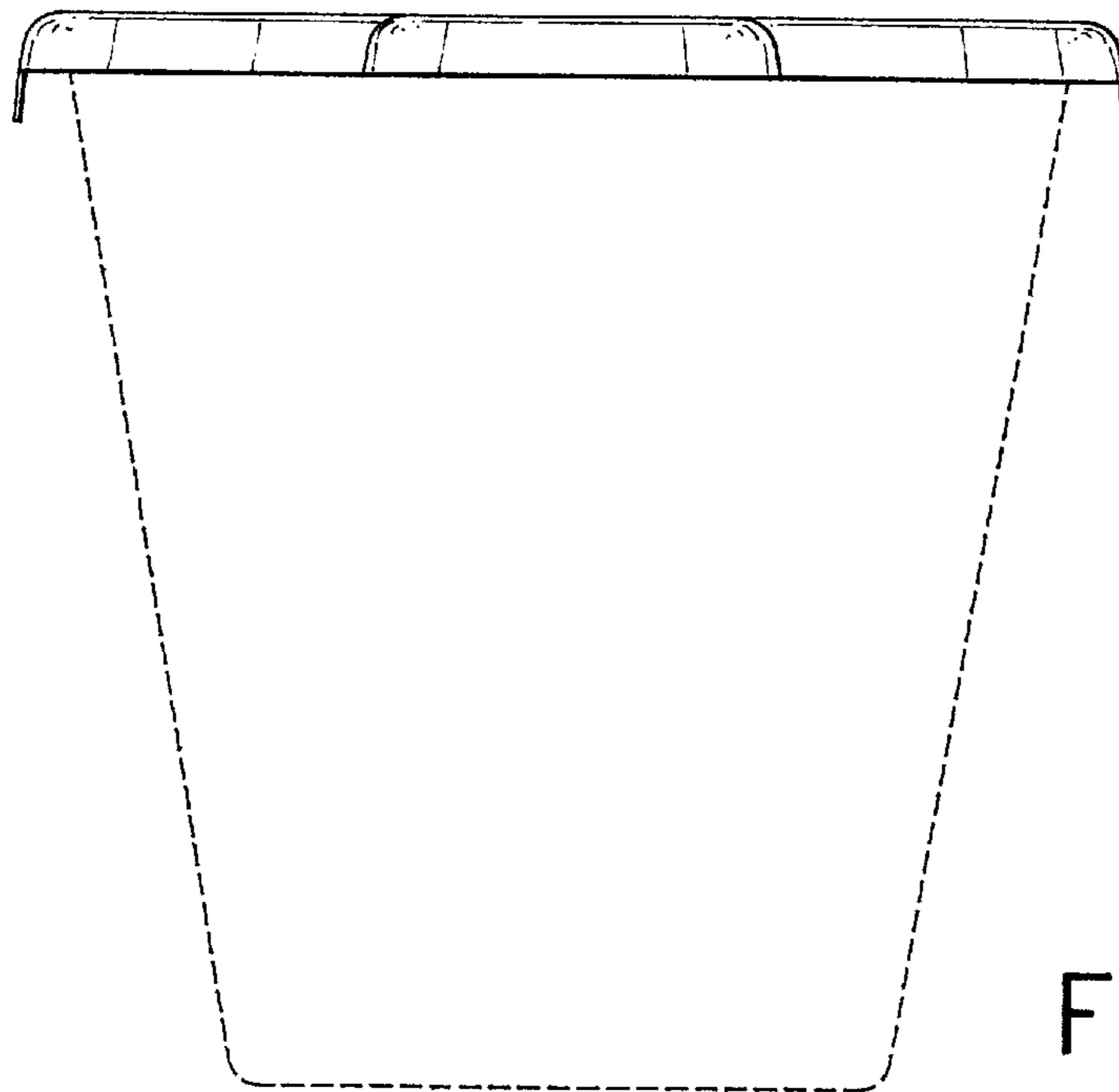


FIG. 7