



US00D398663S

United States Patent [19] Freelander

[11] **Patent Number: Des. 398,663**

[45] **Date of Patent: **Sep. 22, 1998**

[54] **COMBINED TOY BUCKET AND SIFTER**

[76] Inventor: **Michael S. Freelander**, 46 Whisper Dr., Worcester, Mass. 01609

[**] Term: **14 Years**

[21] Appl. No.: **64,580**

[22] Filed: **Jan. 6, 1997**

[51] **LOC (6) Cl. 21-01**

[52] **U.S. Cl. D21/120; D21/109; D32/53**

[58] **Field of Search D9/434, 440, 447, D9/435; D21/109, 120; D22/136; D32/53, 53.1, 54; 446/70, 479; 220/23.4, 23.6, 698**

[56] **References Cited**

U.S. PATENT DOCUMENTS

D. 312,157	11/1990	Sjolander	D32/53
D. 329,572	9/1992	Krupa	D32/53
332,043	12/1885	Brien	220/698
D. 348,129	6/1994	Wolff	D32/53
D. 374,043	9/1996	Ryan et al.	D21/120
3,529,742	9/1970	Cumming	220/23.4

Primary Examiner—Sandra L. Morris
Assistant Examiner—Adir Aronovich

Attorney, Agent, or Firm—Salter & Michaelson

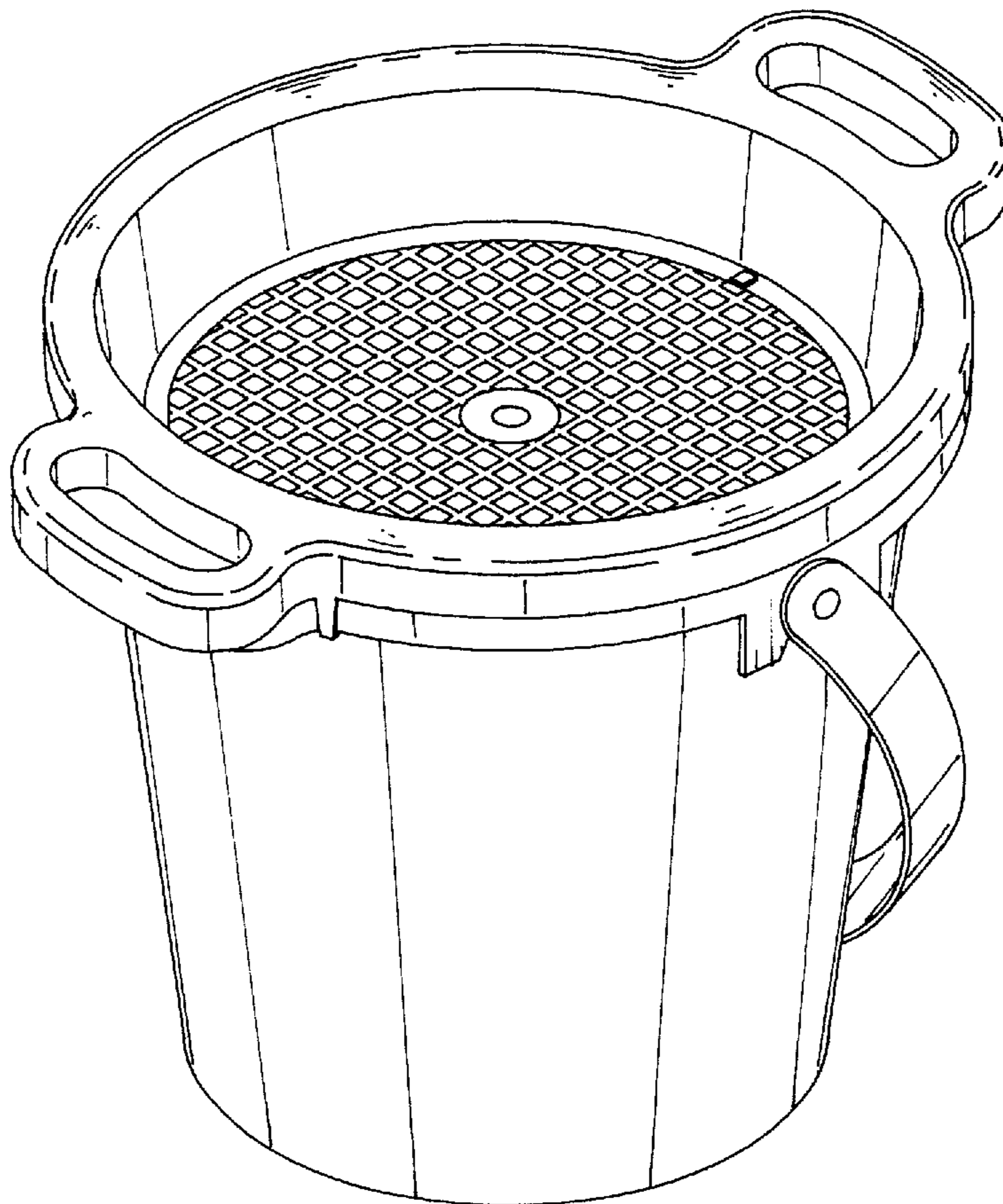
[57] **CLAIM**

The ornamental design for a combined toy bucket and sifter, as shown and described.

DESCRIPTION

FIG. 1 is a perspective view of a combined toy bucket and sifter showing my new design therefor;
 FIG. 2 is an exploded perspective view thereof showing assembly of the bucket and sifter;
 FIG. 3 is a top view of the sifter, the bucket is omitted for ease of illustration;
 FIG. 4 is a bottom view of the sifter thereof;
 FIG. 5 is a right side view of the sifter thereof;
 FIG. 6 is a left side view of the sifter thereof;
 FIG. 7 is a front view of the sifter thereof;
 FIG. 8 is a rear view of the sifter thereof;
 FIG. 9 is a top view of the bucket, the sifter is omitted for ease of illustration;
 FIG. 10 is a bottom view of the bucket thereof;
 FIG. 11 is a right side view of the bucket thereof;
 FIG. 12 is a left side view of the bucket thereof;
 FIG. 13 is a front view of the bucket thereof; and,
 FIG. 14 is a rear view of the bucket thereof.

1 Claim, 7 Drawing Sheets



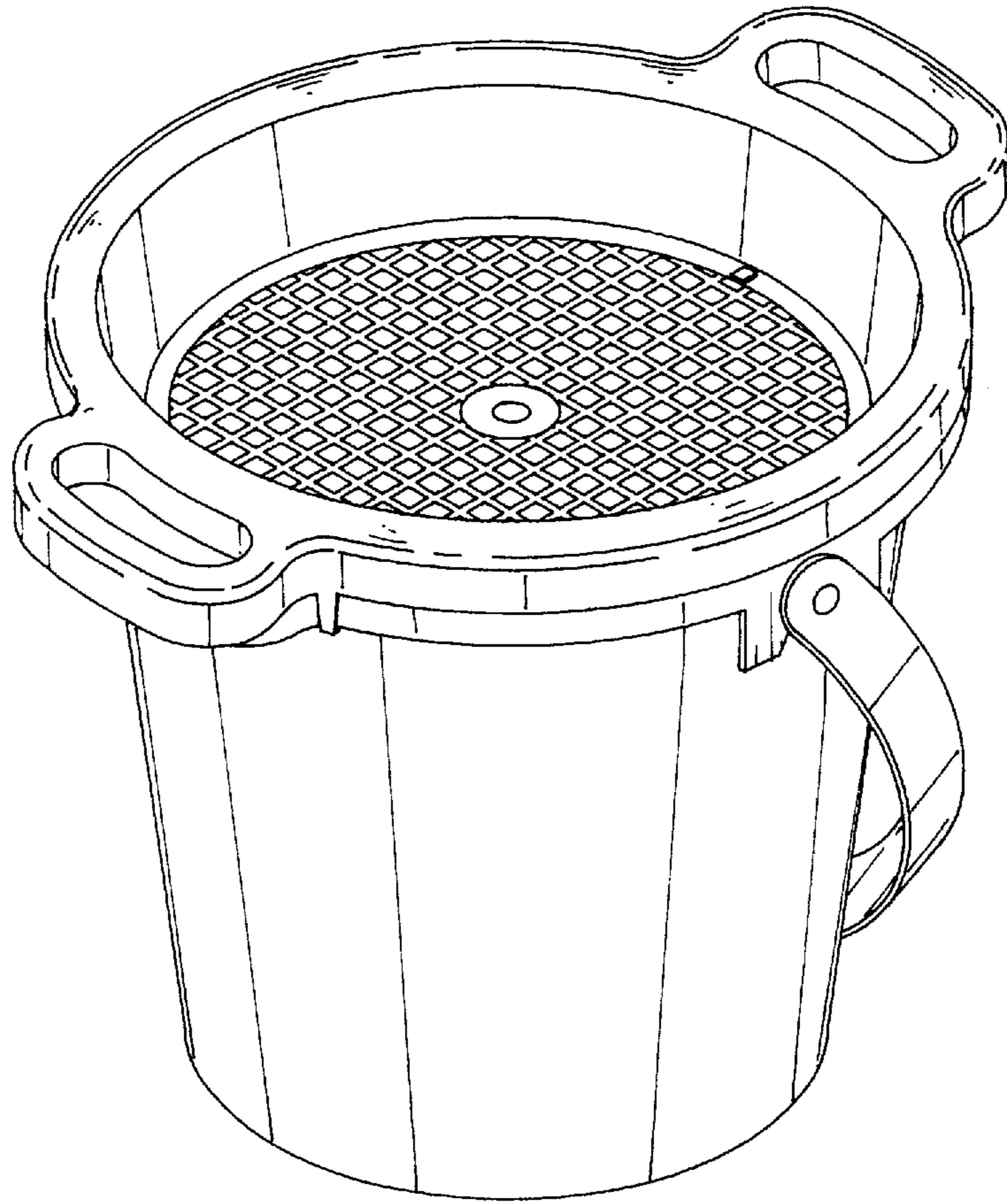


FIG. 1

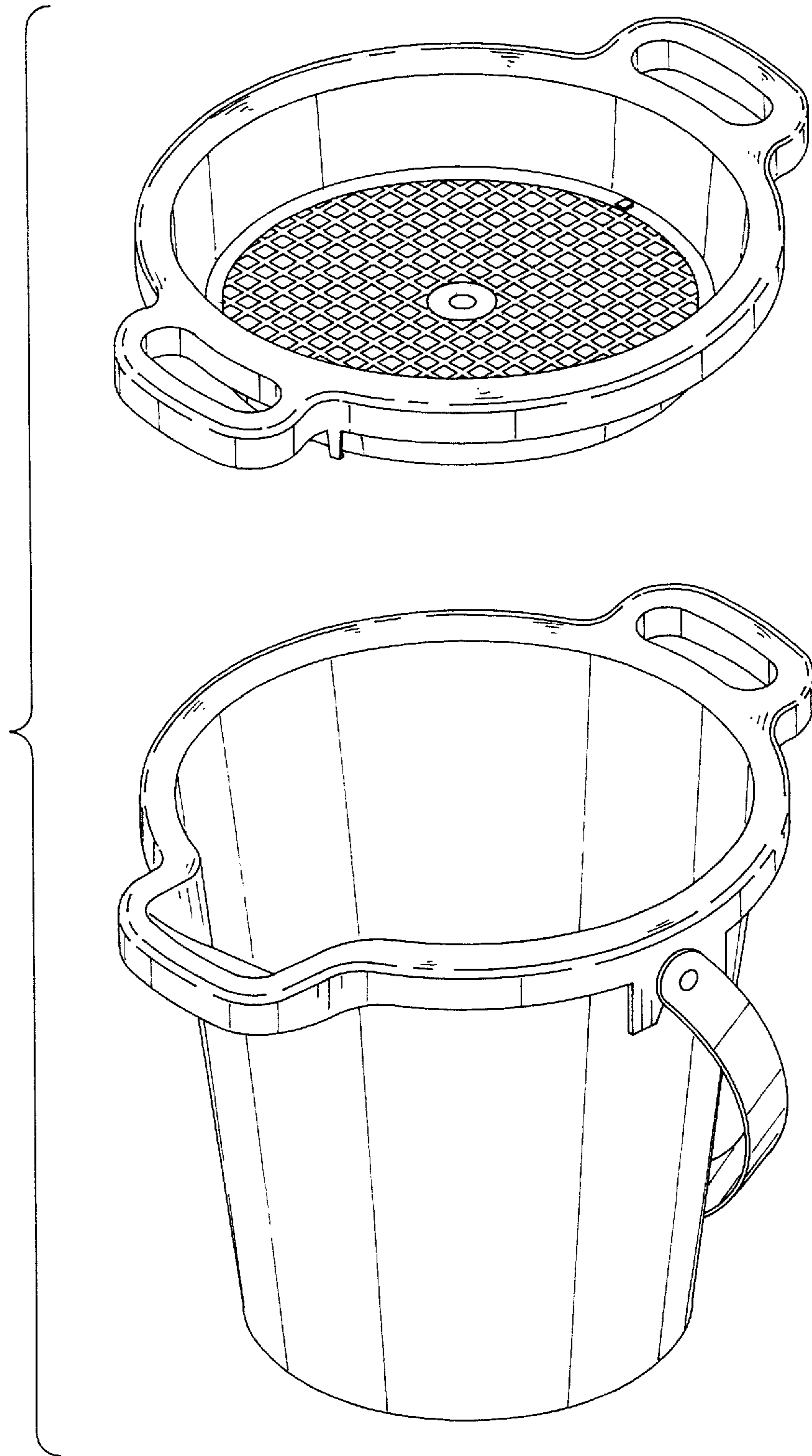


FIG. 2

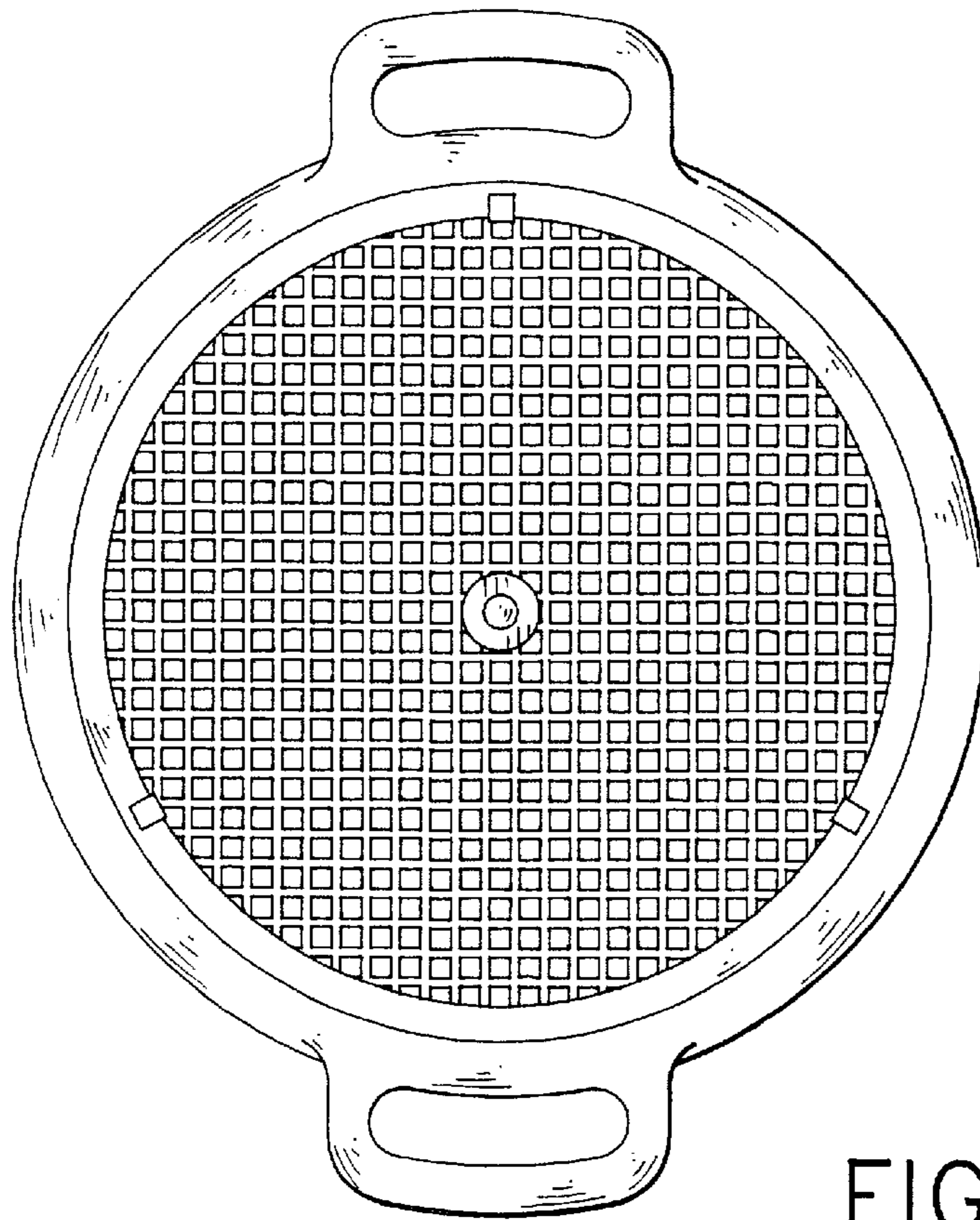


FIG. 3

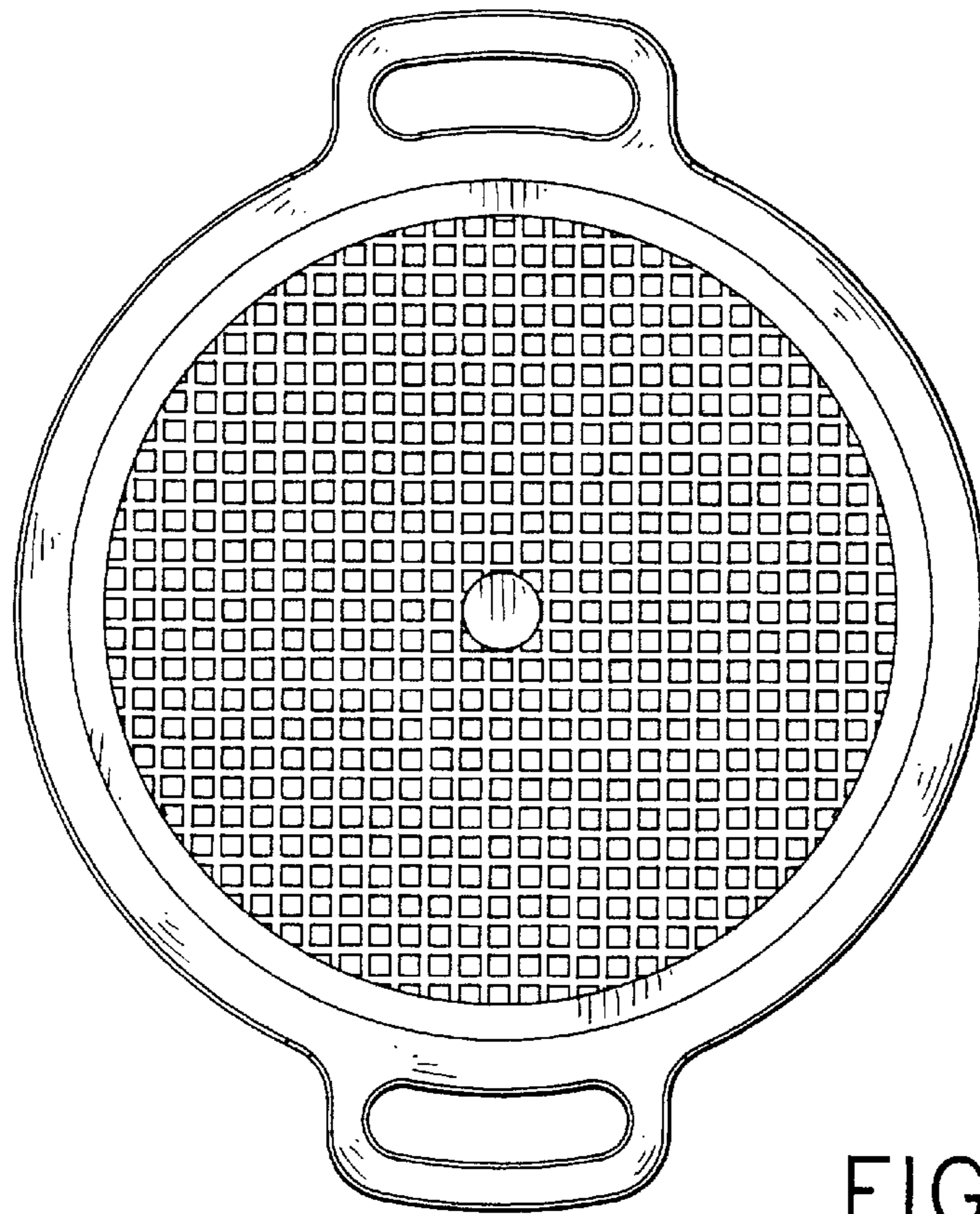


FIG. 4

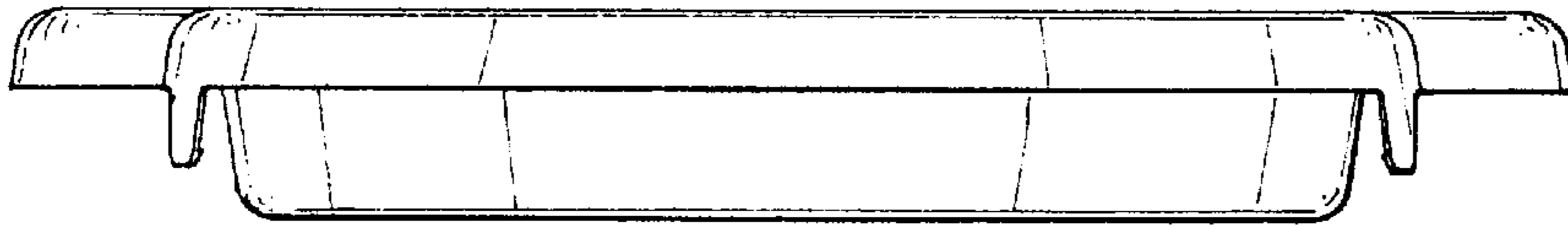


FIG. 5

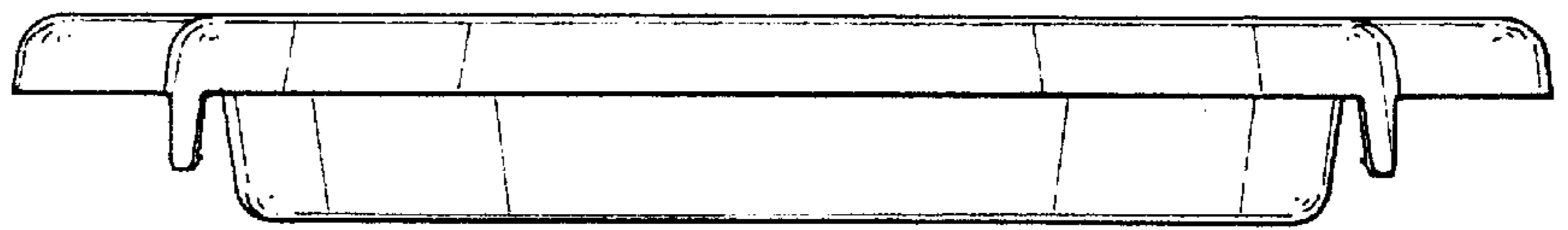


FIG. 6

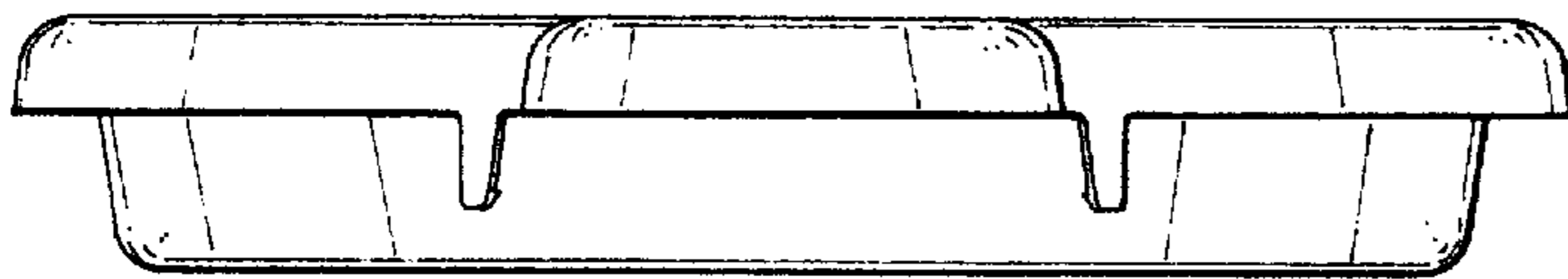


FIG. 7

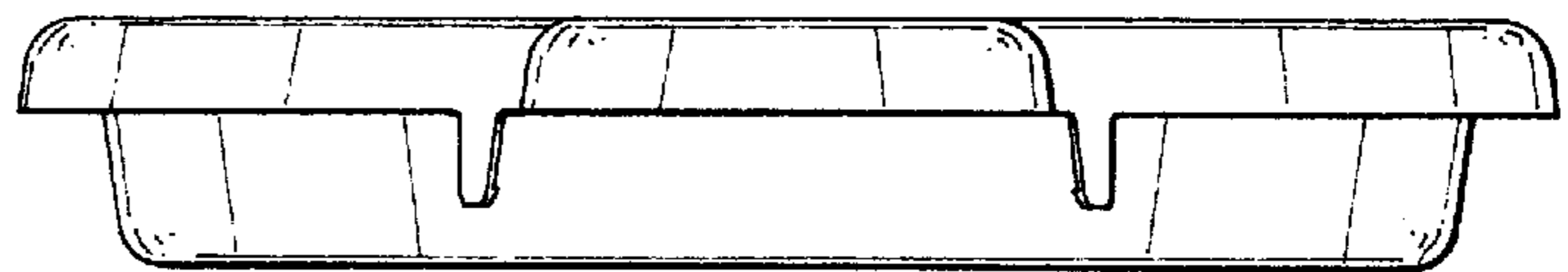


FIG. 8

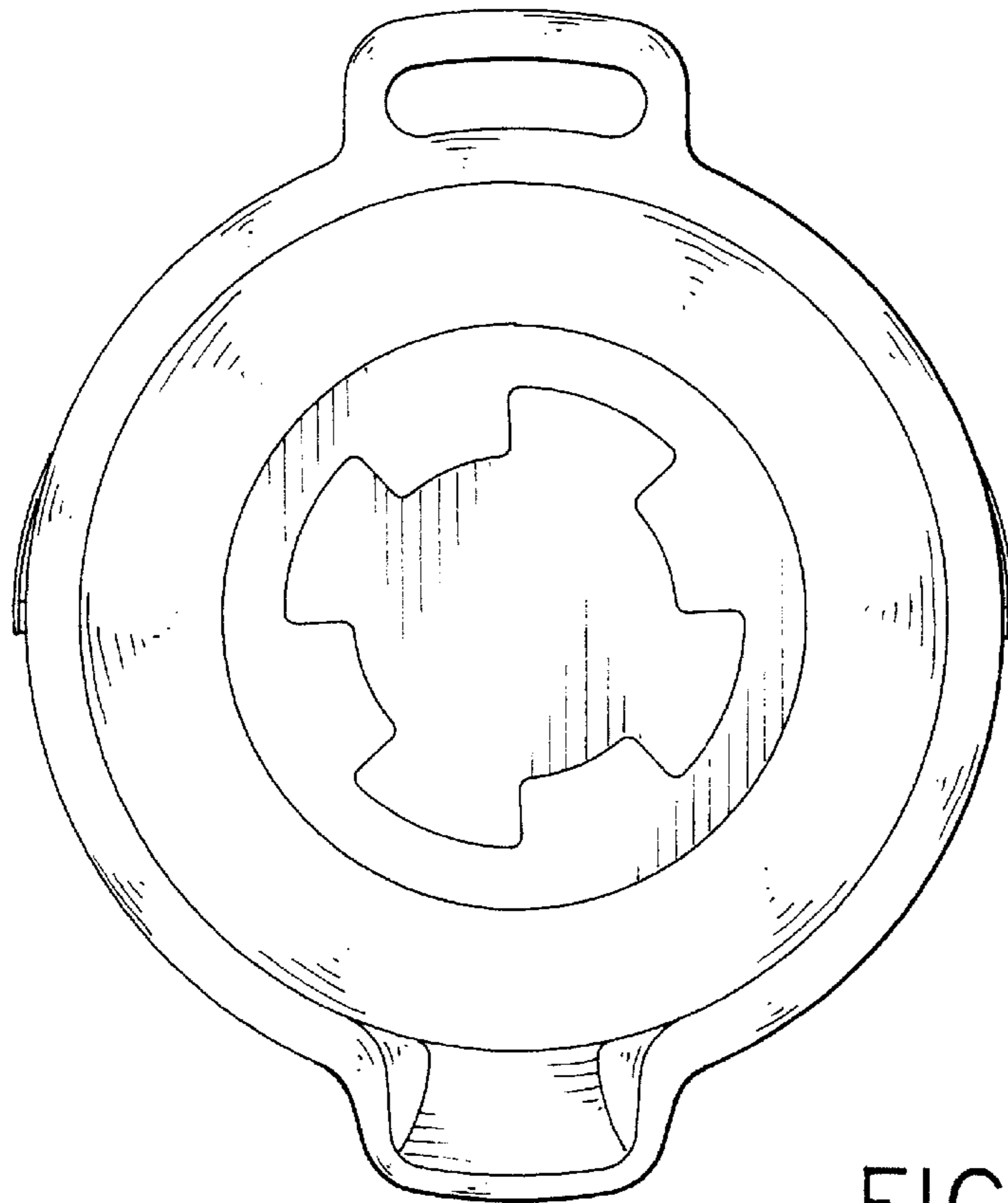


FIG. 9

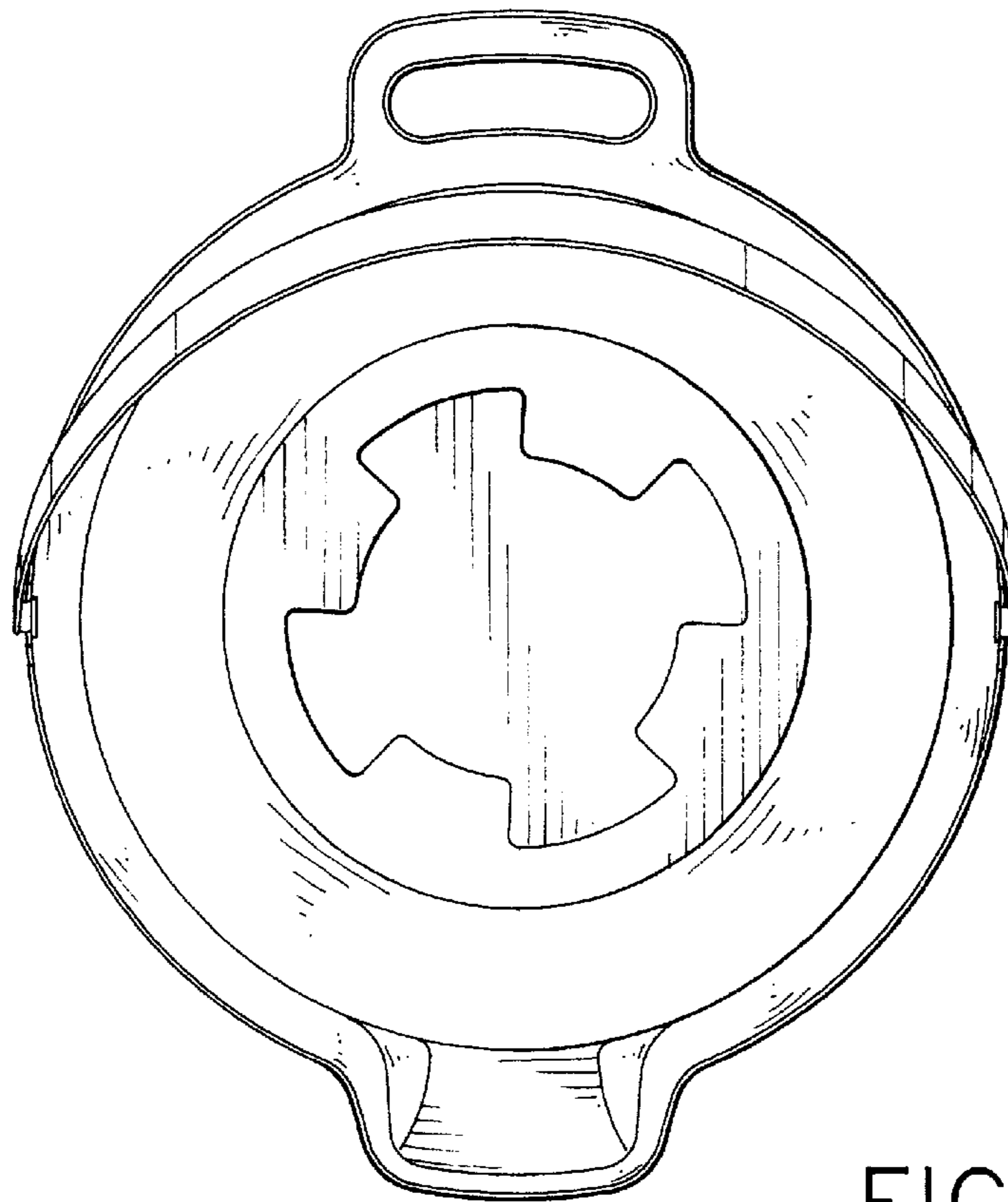


FIG. 10

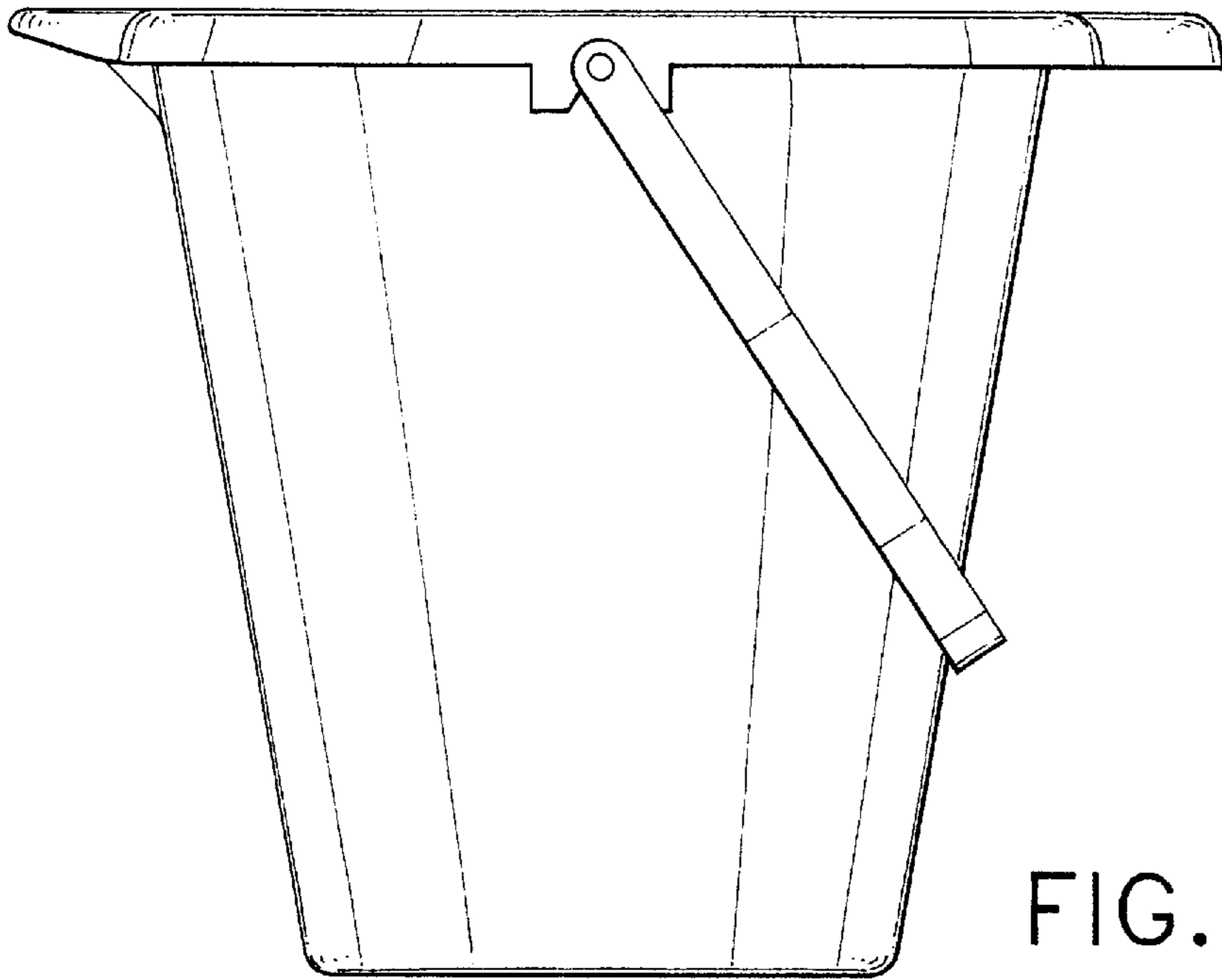


FIG. 11

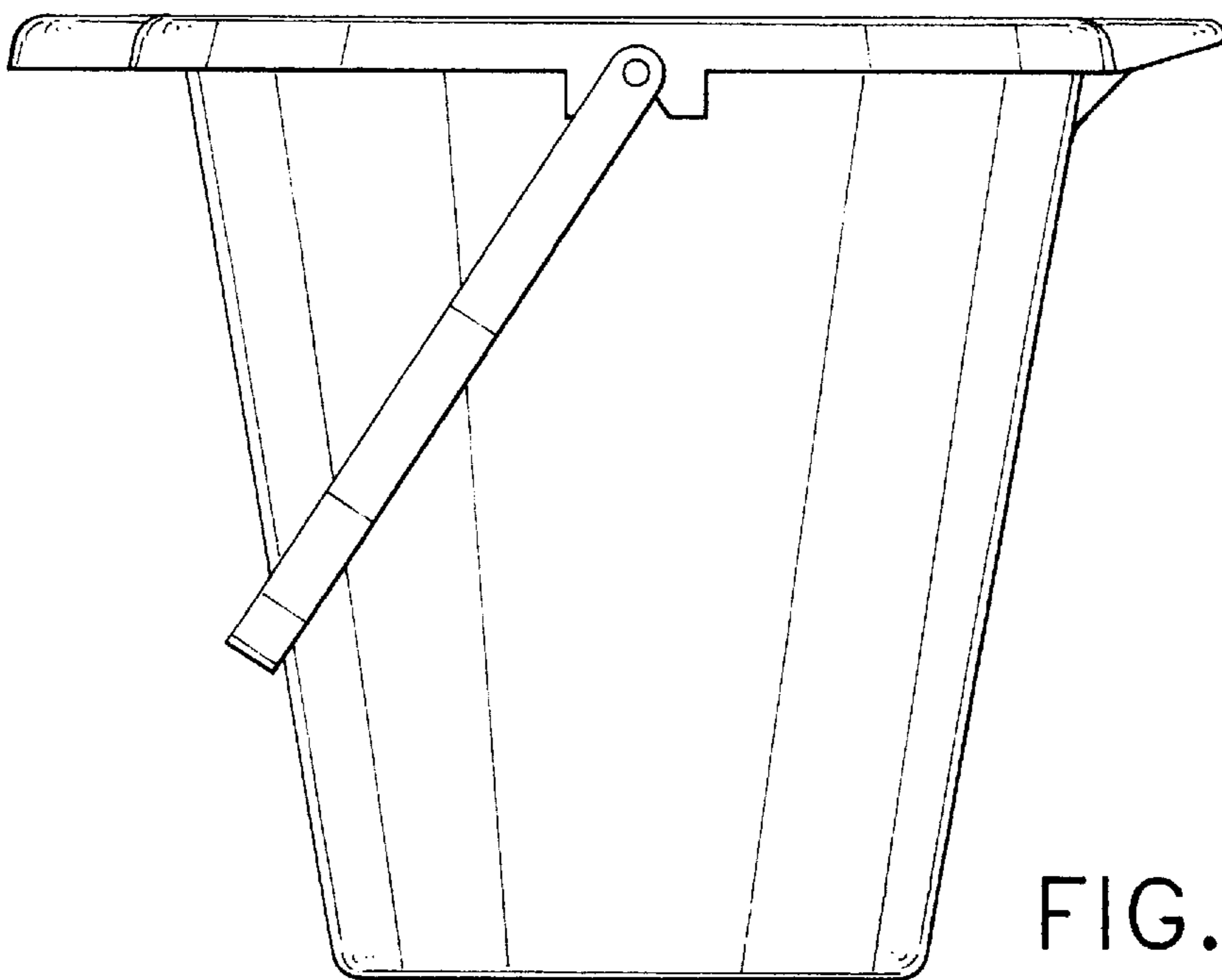


FIG. 12

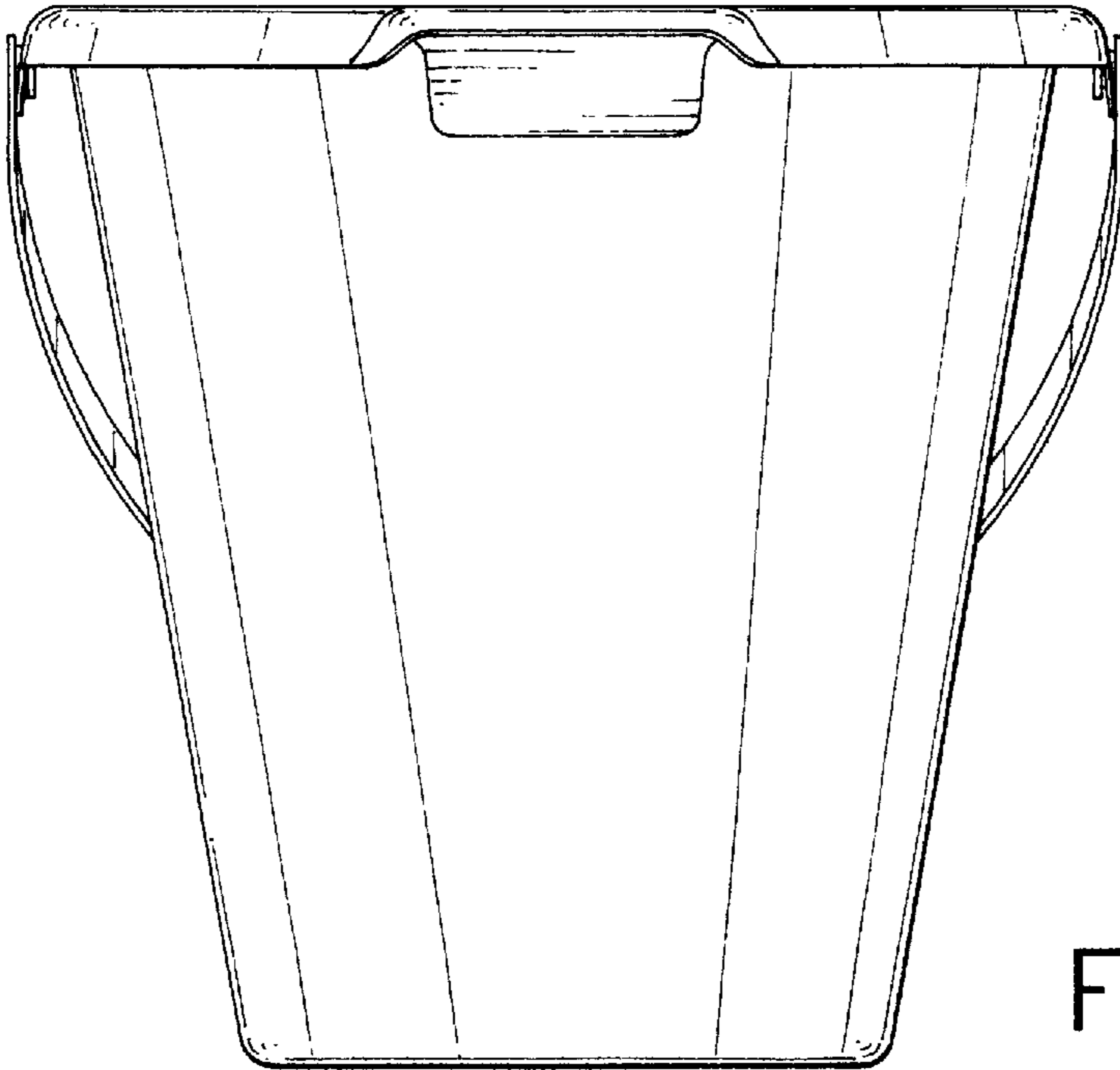


FIG. 13

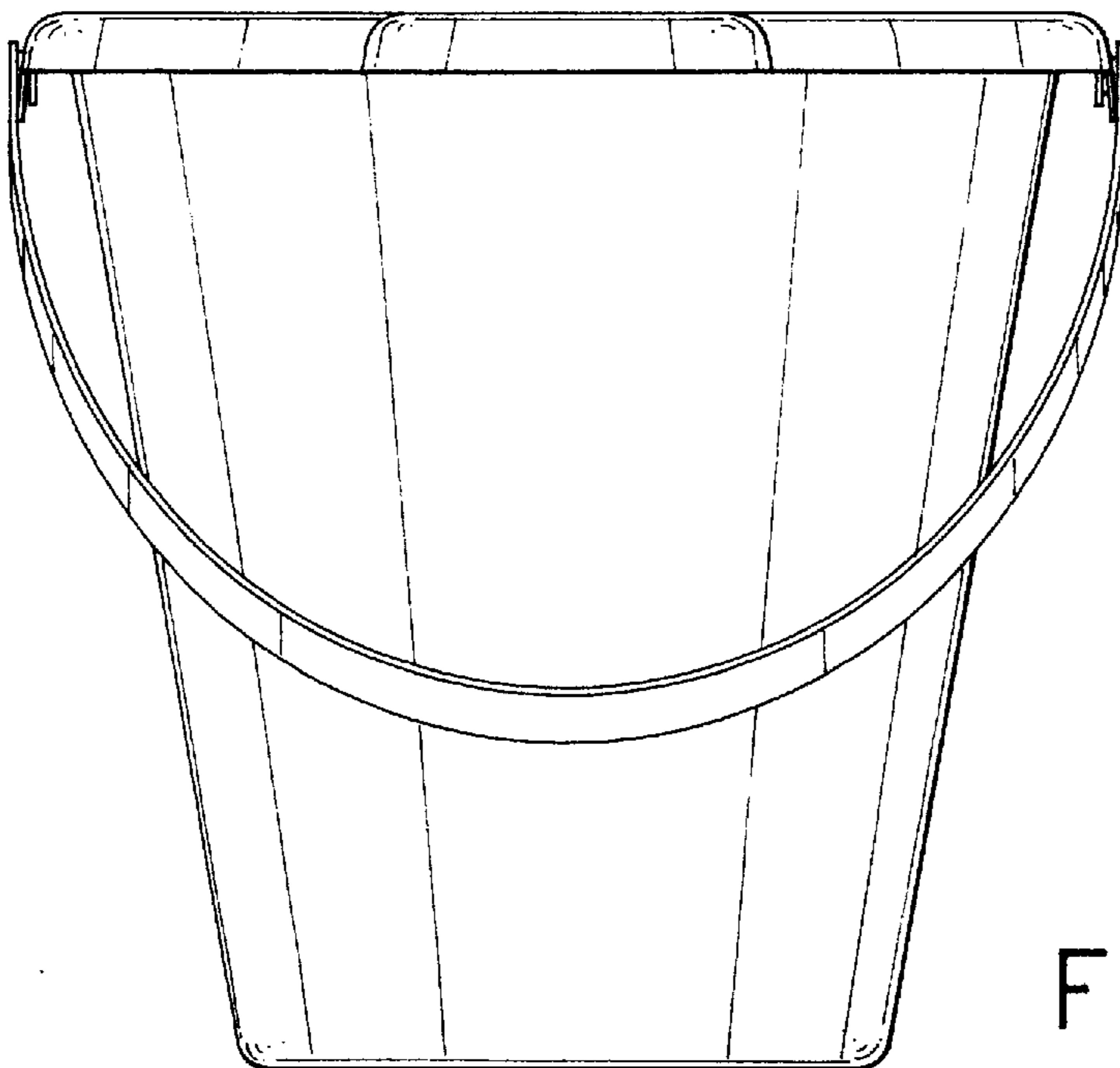


FIG. 14