



US00D398661S

United States Patent [19]

Lee

[11] Patent Number: **Des. 398,661**

[45] Date of Patent: ****Sep. 22, 1998**

[54] **TOY GUN FOR ELECTRONIC GAME APPARATUS**

[75] Inventor: **Lan-Yan Lee, Fanling, Hong Kong**

[73] Assignee: **Esel International Company Limited, Hong Kong**

[**] Term: **14 Years**

[21] Appl. No.: **59,383**

[22] Filed: **Sep. 9, 1996**

[30] Foreign Application Priority Data

Jun. 10, 1996 [GB] United Kingdom 2056924

[51] **LOC (6) Cl.** **21-01**

[52] **U.S. Cl.** **D21/48**

[58] **Field of Search** D21/1, 5, 48, 13,
D21/147; 463/49-52, 30; 273/317, 318,
148 B

[56] References Cited

U.S. PATENT DOCUMENTS

D. 347,027 5/1994 Phillips D21/48

D. 374,041	9/1996	Oikawa	D21/48
3,655,192	4/1972	Hall et al.	463/51
3,960,380	6/1976	Yokoi	463/51 X
4,175,747	11/1979	Hudson	463/49
4,811,955	3/1989	De Bernardini	463/51
5,569,085	10/1996	Igarashi et al.	463/51 X
5,577,962	11/1996	Koonoe et al.	463/51 X

Primary Examiner—Prabhakar G. Deshmukh
Attorney, Agent, or Firm—Samuels, Gauthier, Stevens & Reppert

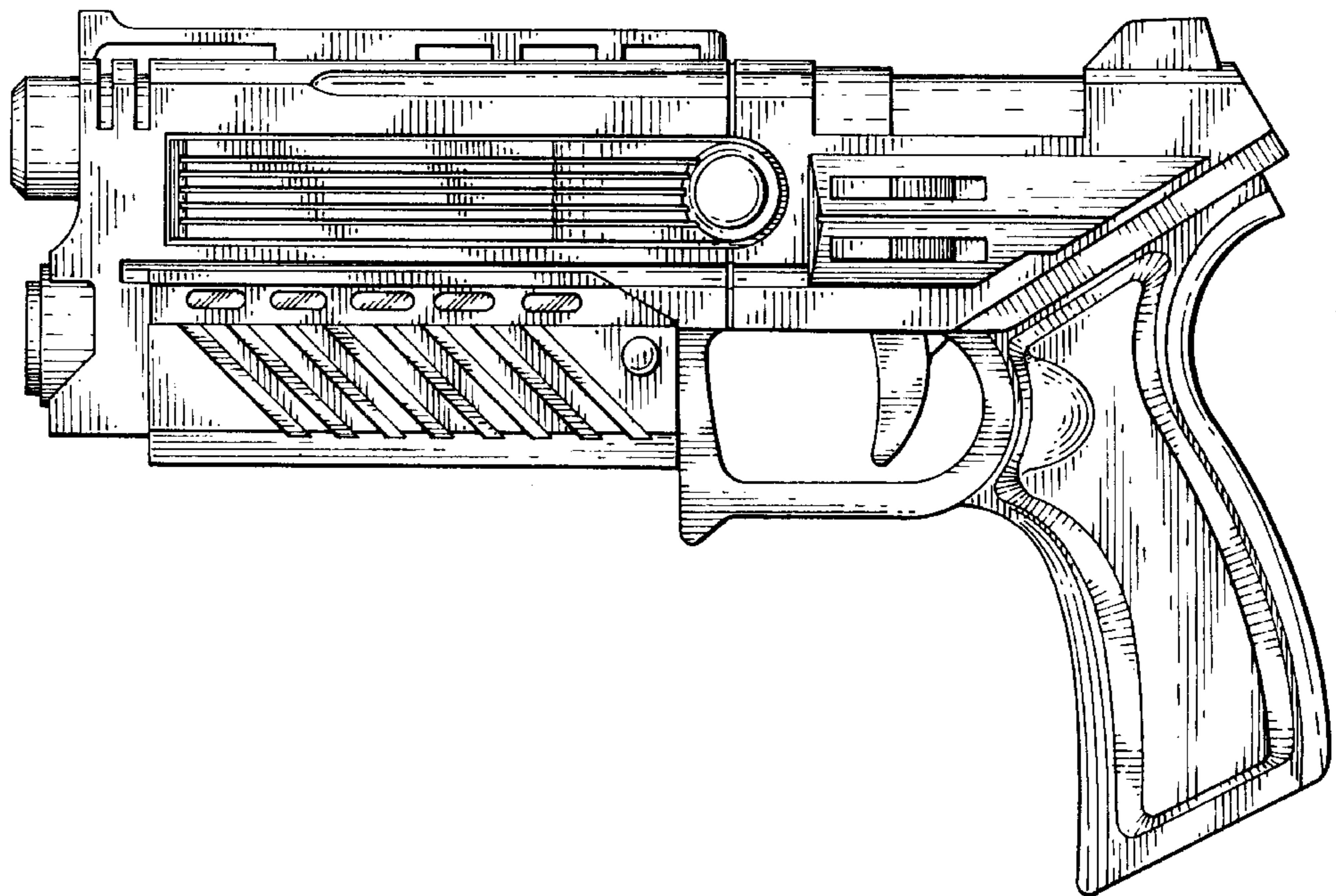
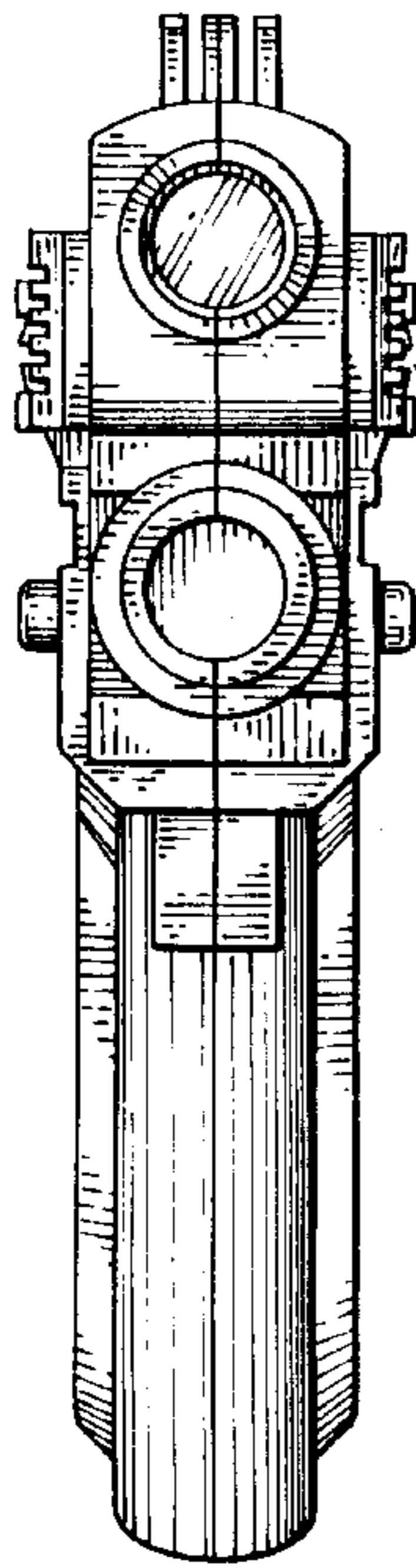
[57] CLAIM

The ornamental design for a “toy gun for electronic game apparatus”, as shown and described.

DESCRIPTION

FIG. 1 is the front view thereof;
FIG. 2 is the rear view thereof;
FIG. 3 is the left-hand view thereof;
FIG. 4 is the right-hand view thereof;
FIG. 5 is the top view thereof; and,
FIG. 6 is the bottom view thereof.

1 Claim, 2 Drawing Sheets



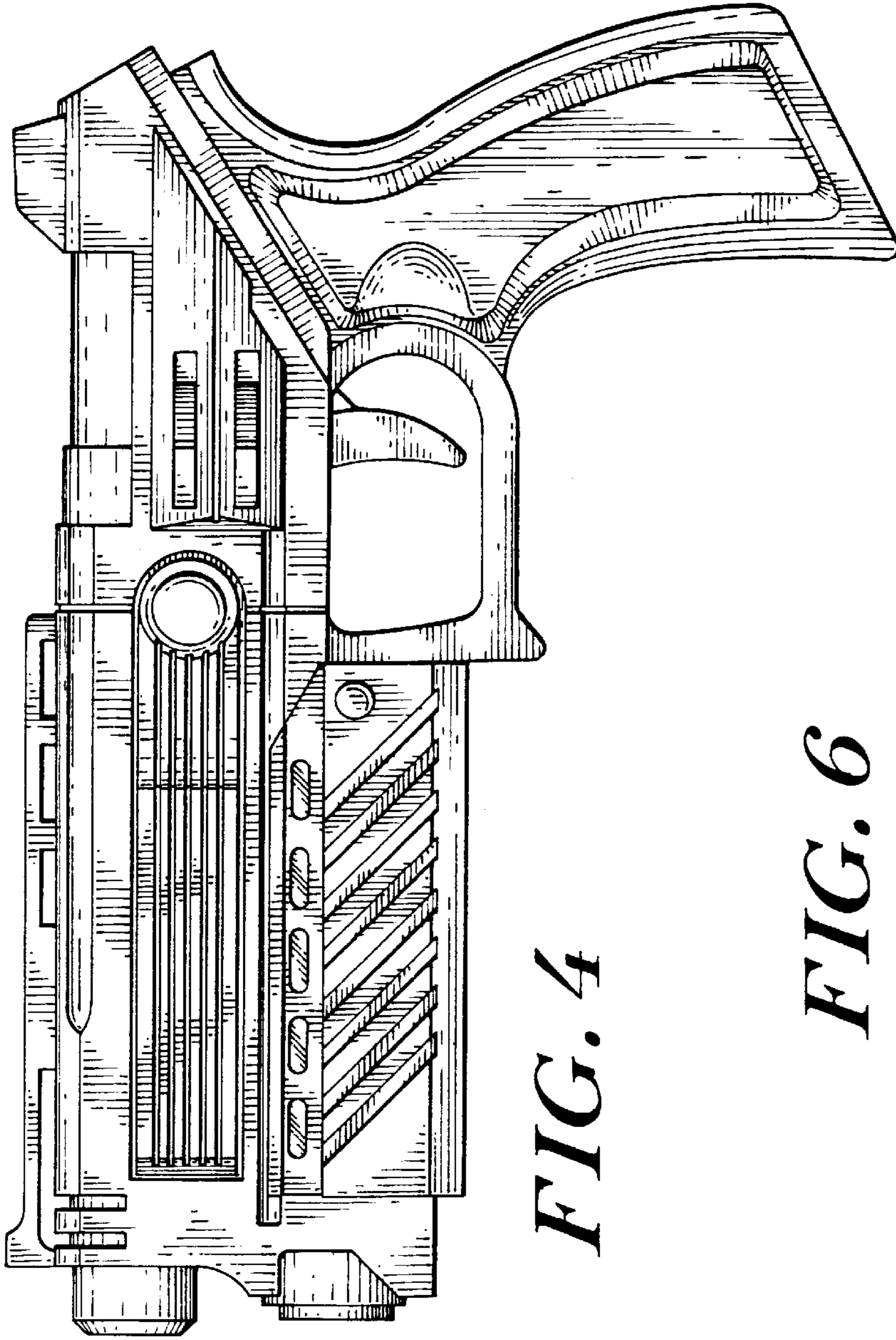


FIG. 4

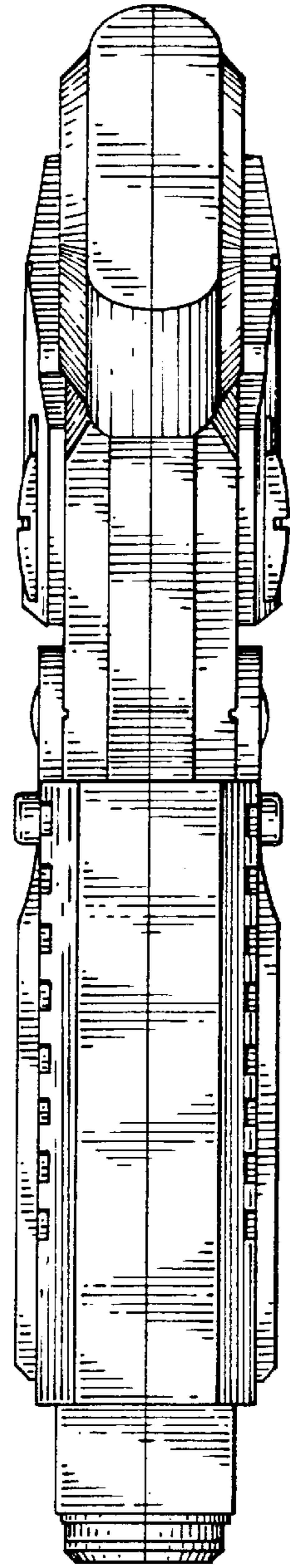


FIG. 6

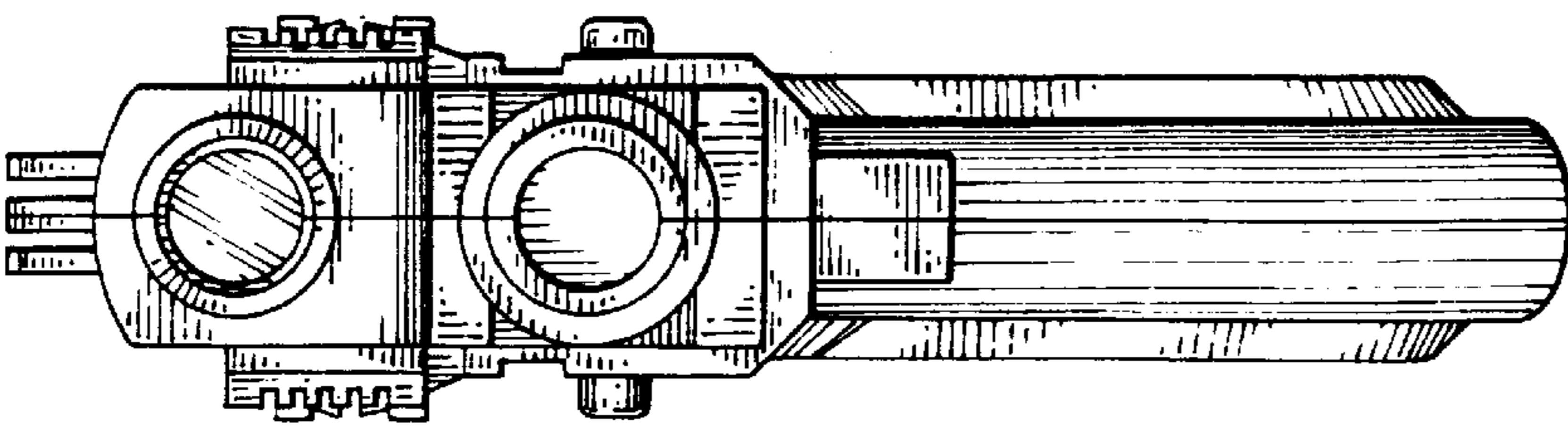


FIG. 1

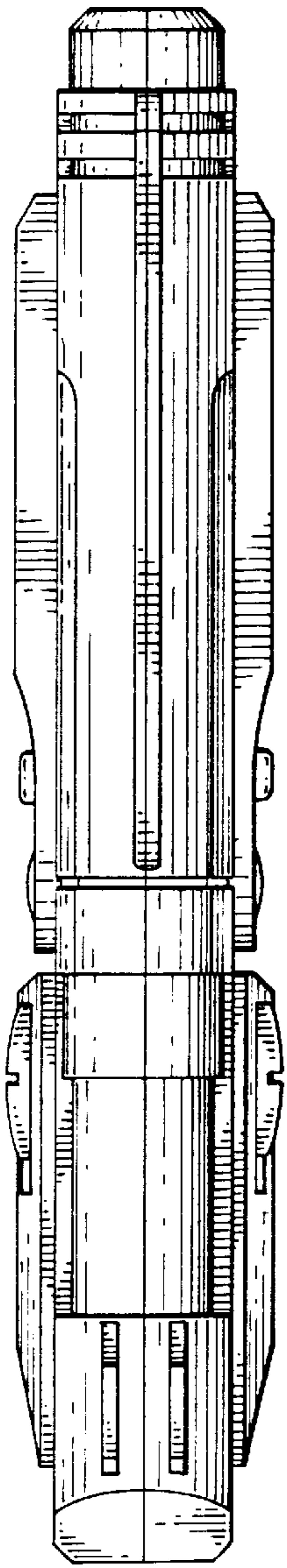


FIG. 5

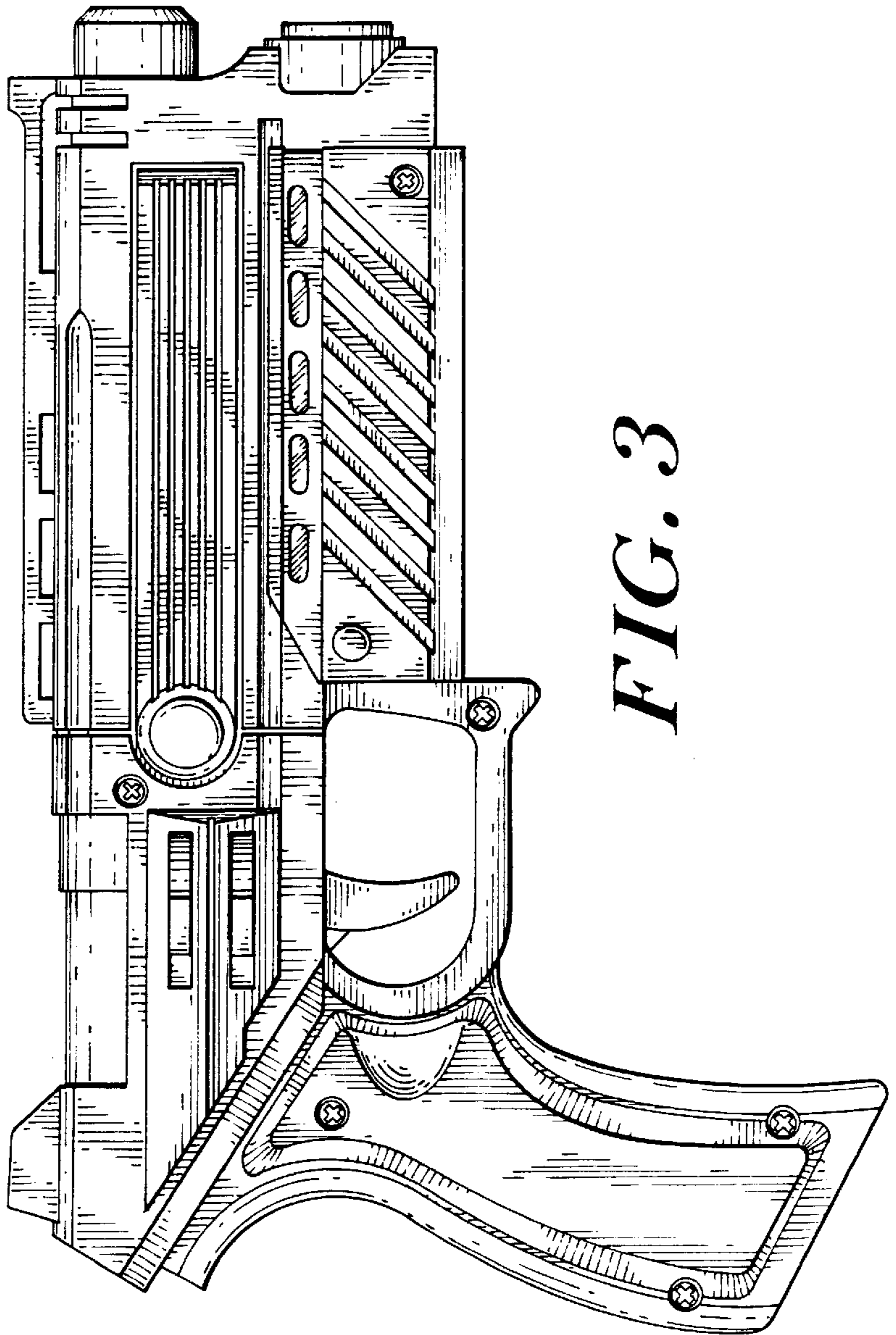


FIG. 3

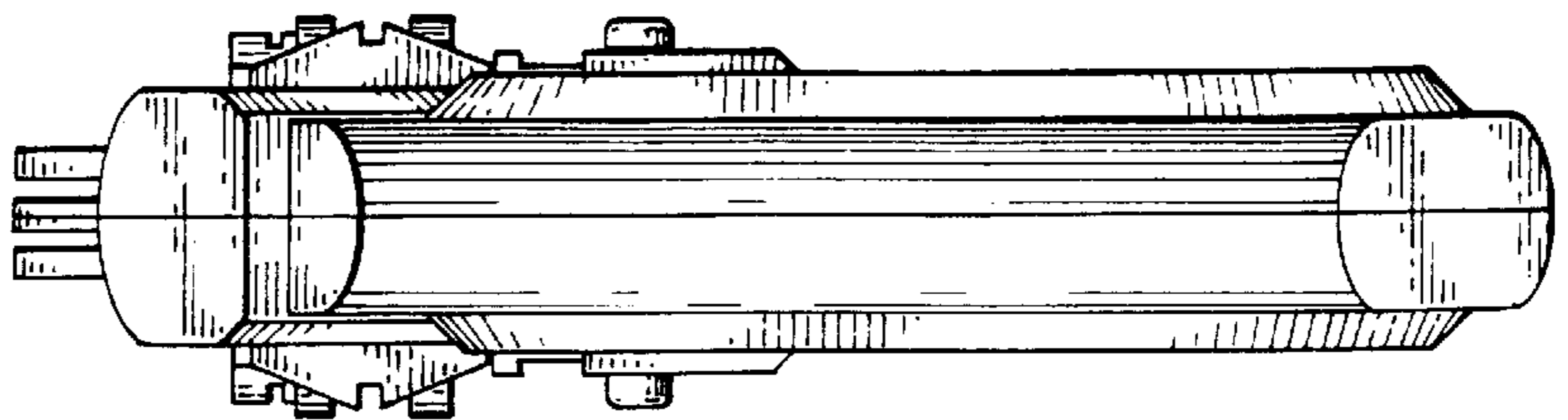


FIG. 2