



US00D398653S

United States Patent [19]
Hiraguchi et al.

[11] **Patent Number: Des. 398,653**
[45] **Date of Patent: **Sep. 22, 1998**

[54] **MAGNETIC DISPLAY TYPE ELECTRONIC BULLETIN BOARD SYSTEM**

821964 11/1991 Japan .
837915 5/1992 Japan .
871699 7/1993 Japan .

[75] Inventors: **Katsunori Hiraguchi**, Shizuoka;
Katsumi Kato, Yokohama, both of Japan

OTHER PUBLICATIONS

U.S. Design Application filed Aug. 6, 1996, Katsunori Hiraguchi et al., "Magnetic Display Type Electronic Bulletin Board Panel".

[73] Assignee: **Star Micronics Co., Ltd.**, Shizuoka, Japan

Primary Examiner—Susan J. Lucas
Assistant Examiner—Jennifer Regester
Attorney, Agent, or Firm—Wenderoth, Lind & Ponack

[**] Term: **14 Years**

[21] Appl. No.: **58,037**

[57] **CLAIM**

[22] Filed: **Aug. 6, 1996**

The ornamental design for the magnetic display type electronic bulletin board system, as shown and described.

[30] **Foreign Application Priority Data**

Feb. 9, 1996 [JP] Japan 8-3407

DESCRIPTION

[51] **LOC (6) Cl.** **20-03**

FIG. 1 is a front view of the magnetic display electronic bulletin board system according to our design;

[52] **U.S. Cl.** **D20/10**

FIG. 2 is a view thereof from the right side of FIG. 1;

[58] **Field of Search** D20/10, 42, 41;
D14/113; 40/584, 606, 605, 600, 541, 542,
544, 546

FIG. 3 is a view thereof from the left side of FIG. 1;

FIG. 4 is a view thereof from the top of FIG. 1;

FIG. 5 is a view thereof from the bottom of FIG. 1;

FIG. 6 is a view thereof from the rear of FIG. 1;

FIG. 7 is a cross sectional view thereof; and,

FIG. 8 is a perspective view thereof illustrating in dashed lines displays mounted thereon, such displays that are shown in broken lines not being part of the design sought to be patented.

[56] **References Cited**

U.S. PATENT DOCUMENTS

D. 277,388 1/1985 Akeret D6/300
D. 298,489 11/1988 Sornborger D6/300
D. 360,078 7/1995 Sarkisian et al. D6/300
4,063,648 12/1977 Fuller et al. 40/606 X

FOREIGN PATENT DOCUMENTS

719436 11/1987 Japan .

1 Claim, 7 Drawing Sheets

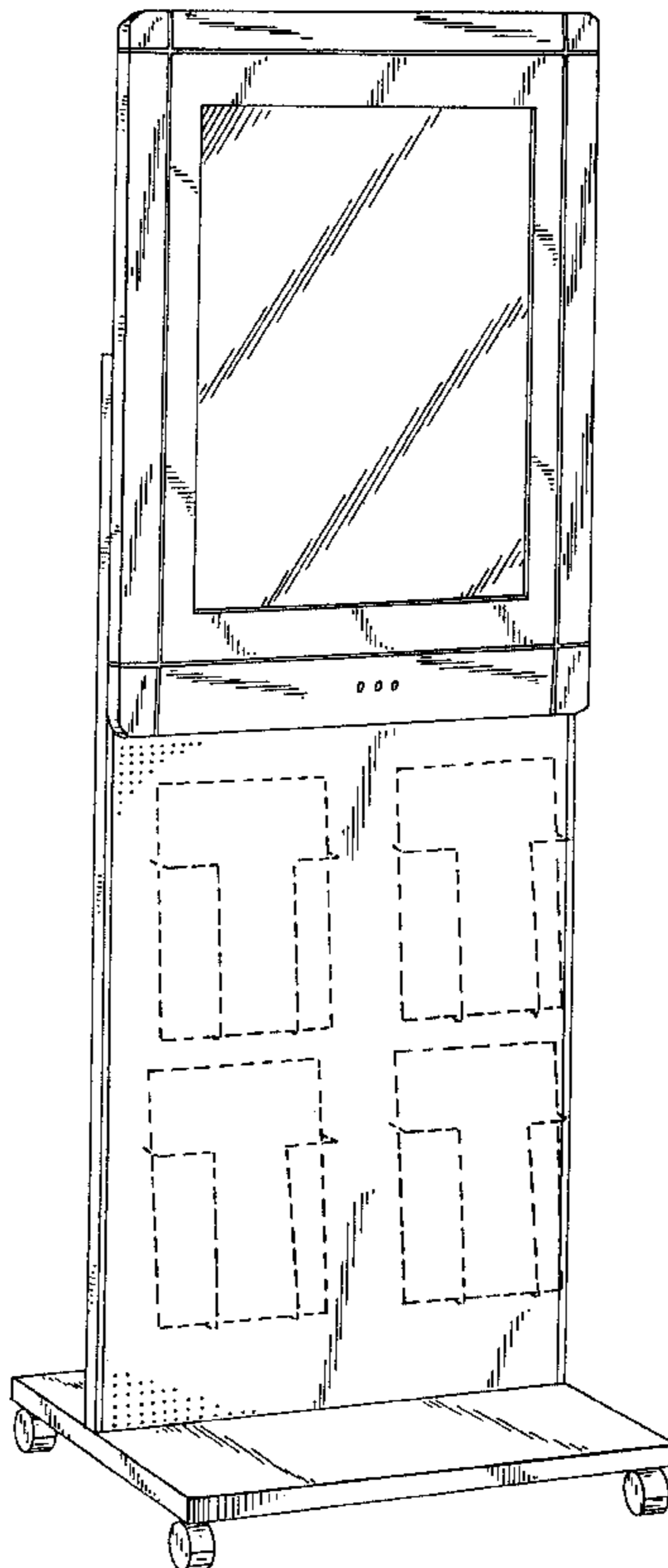


FIG. 1

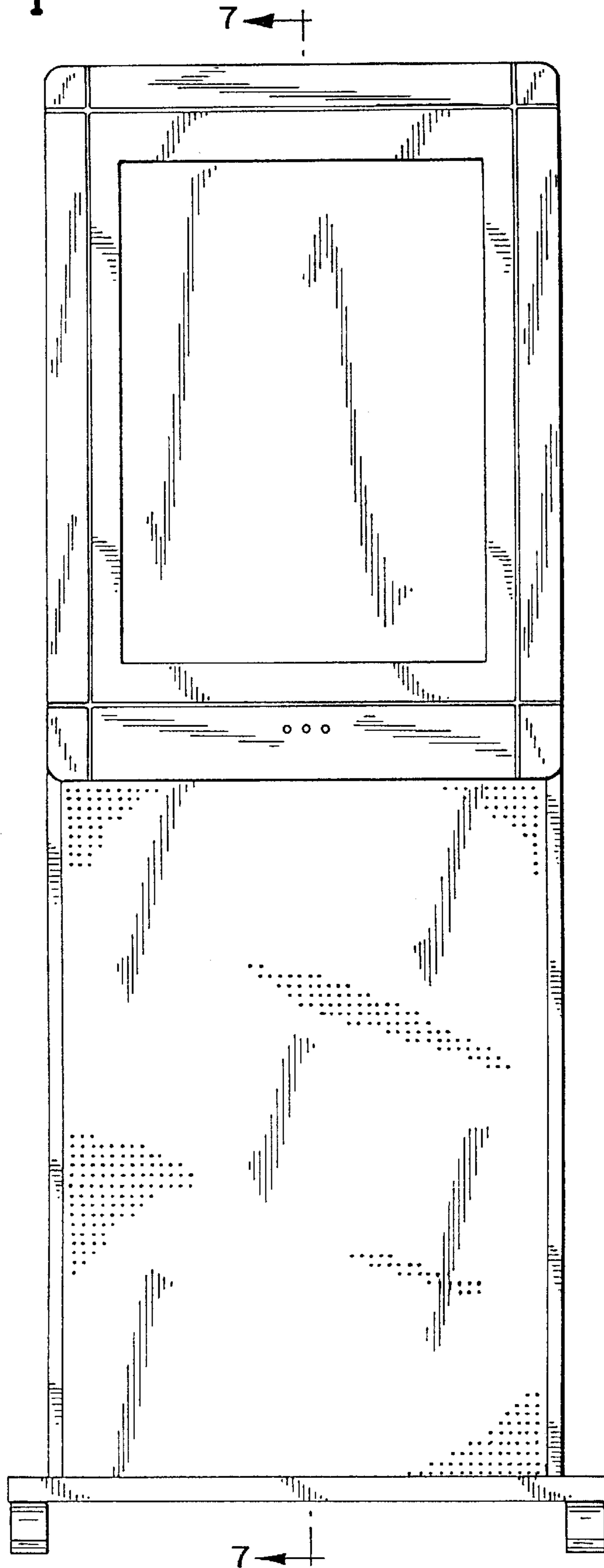


FIG. 2

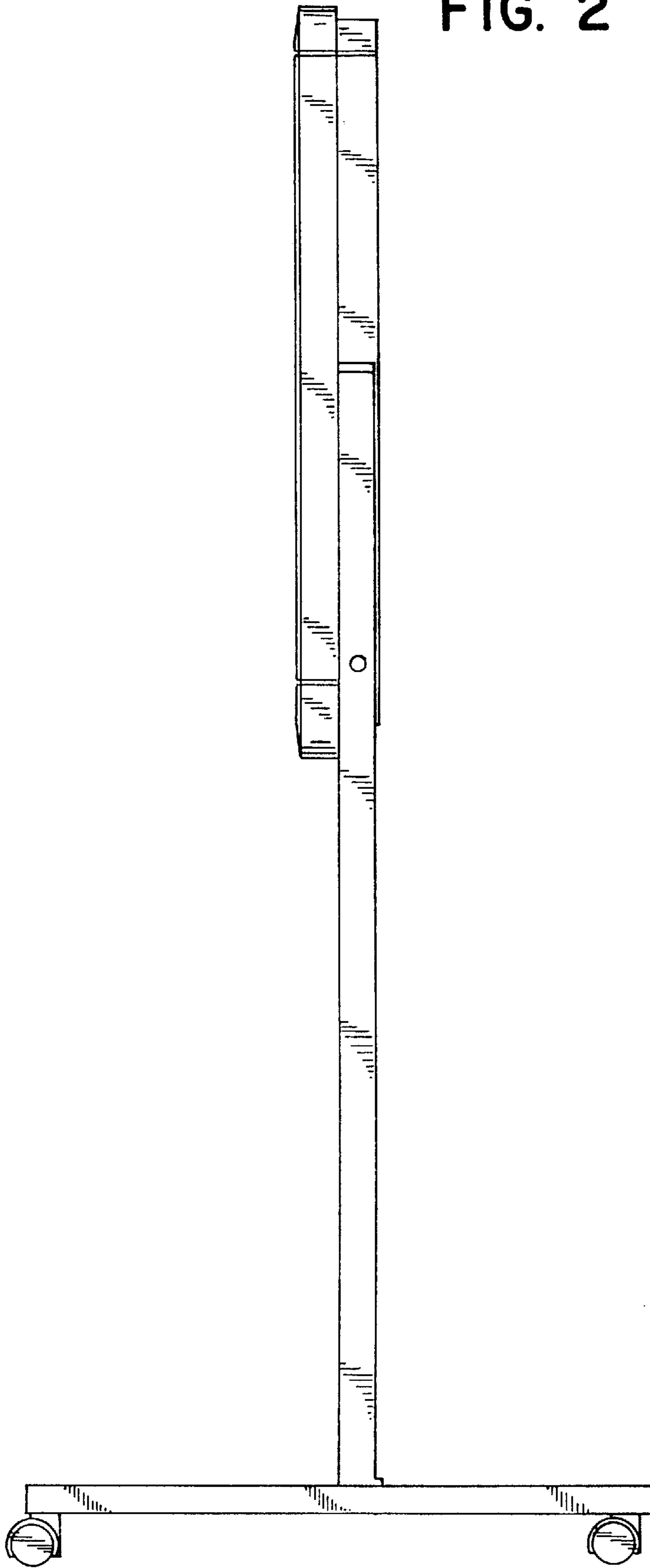


FIG. 3

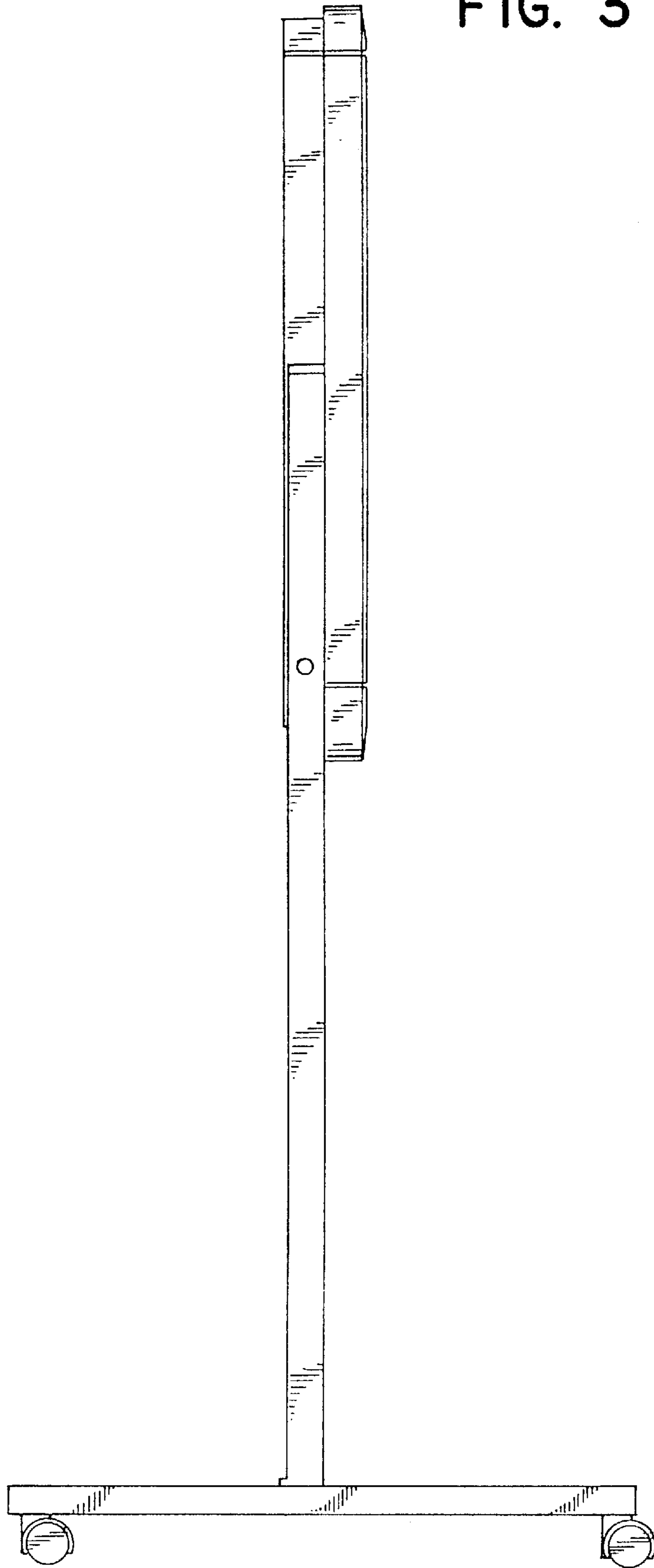


FIG. 5

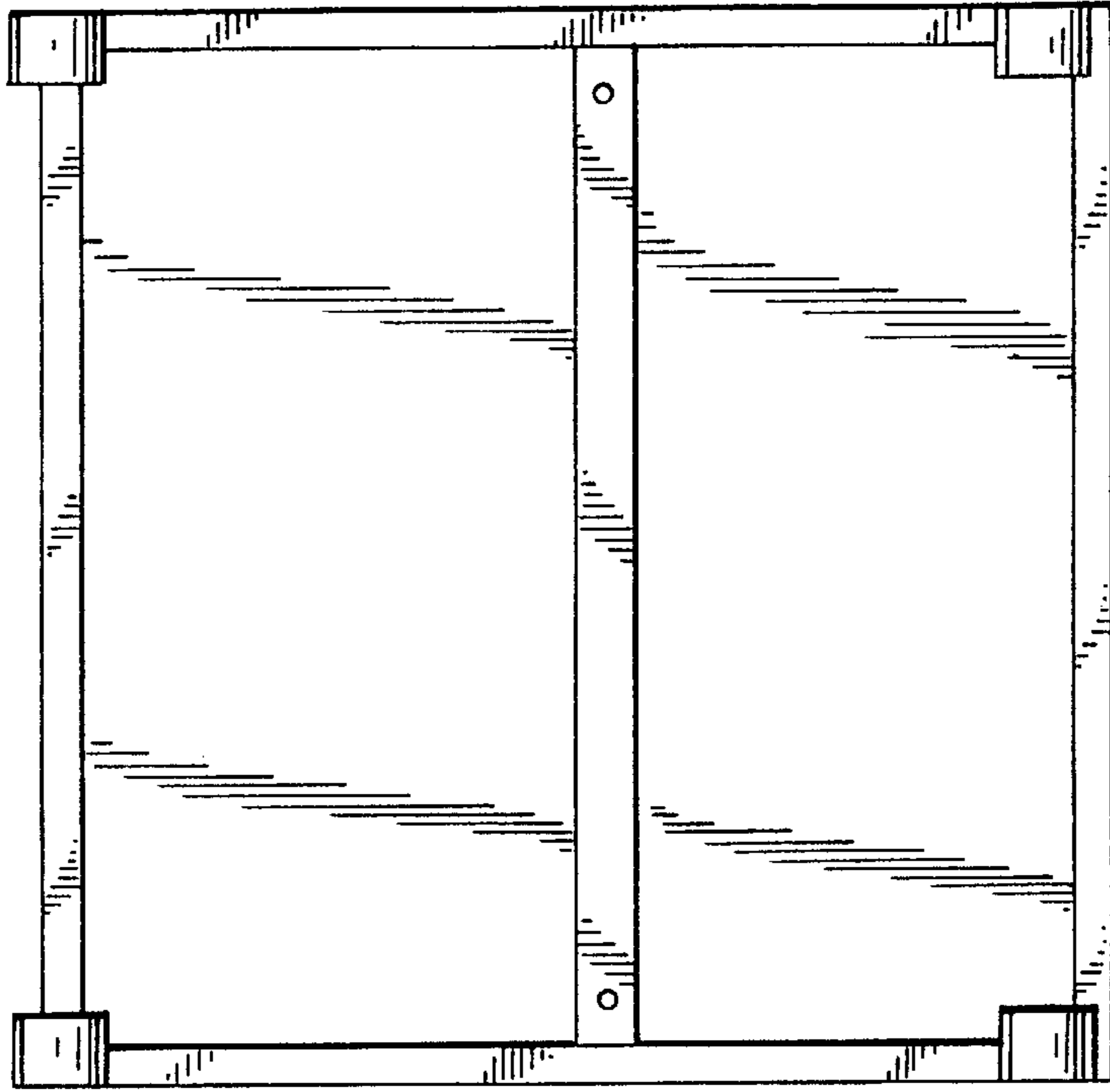


FIG. 4

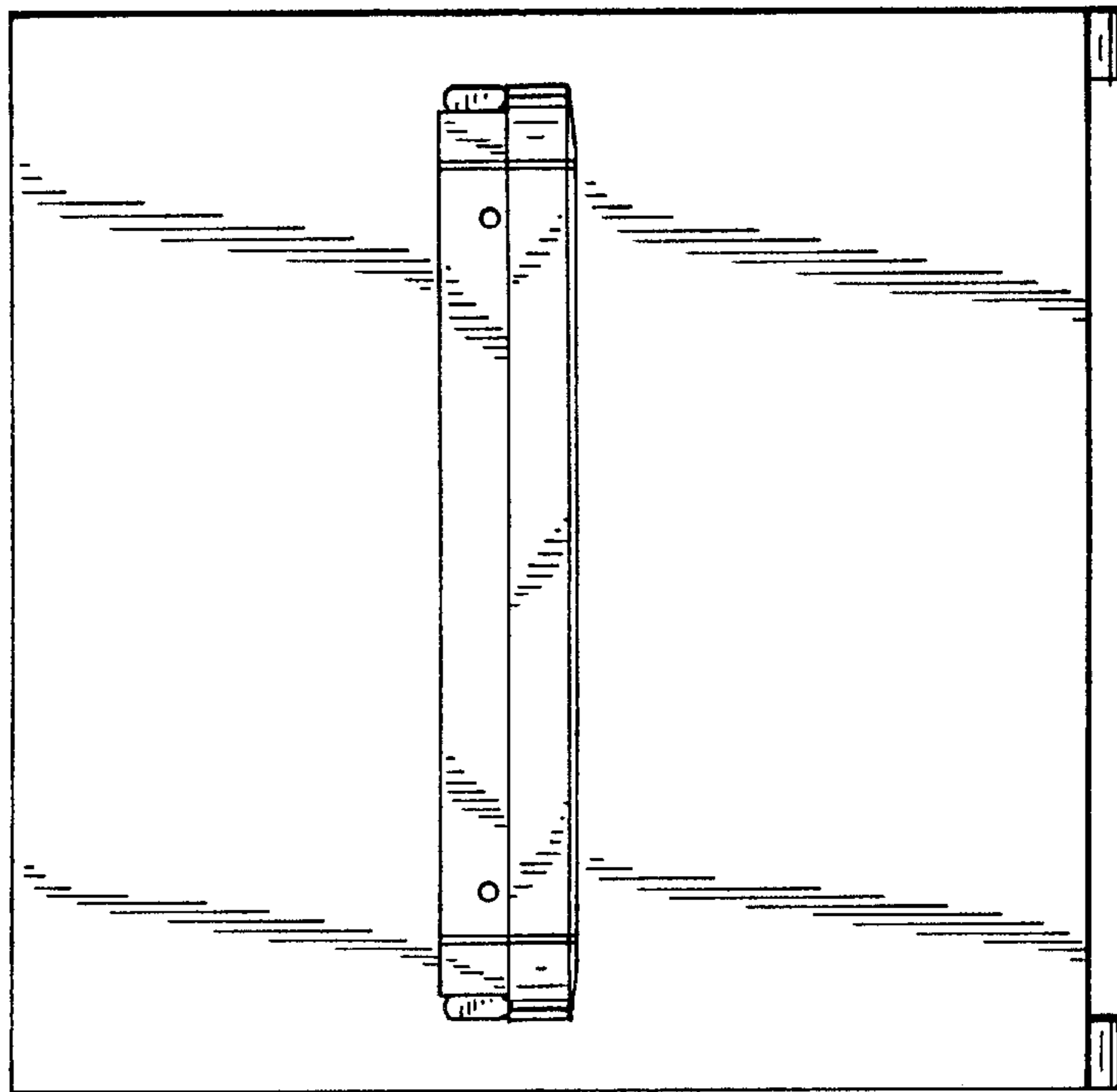


FIG. 6

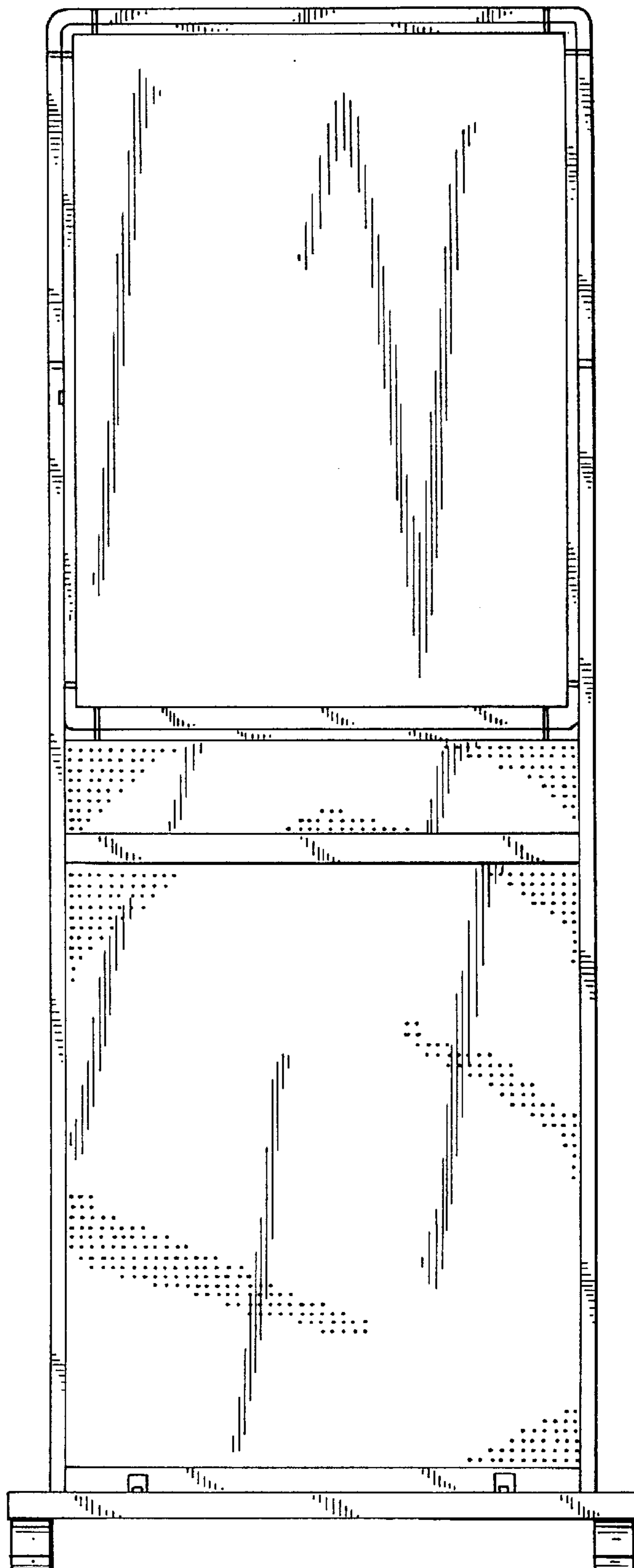


FIG. 7

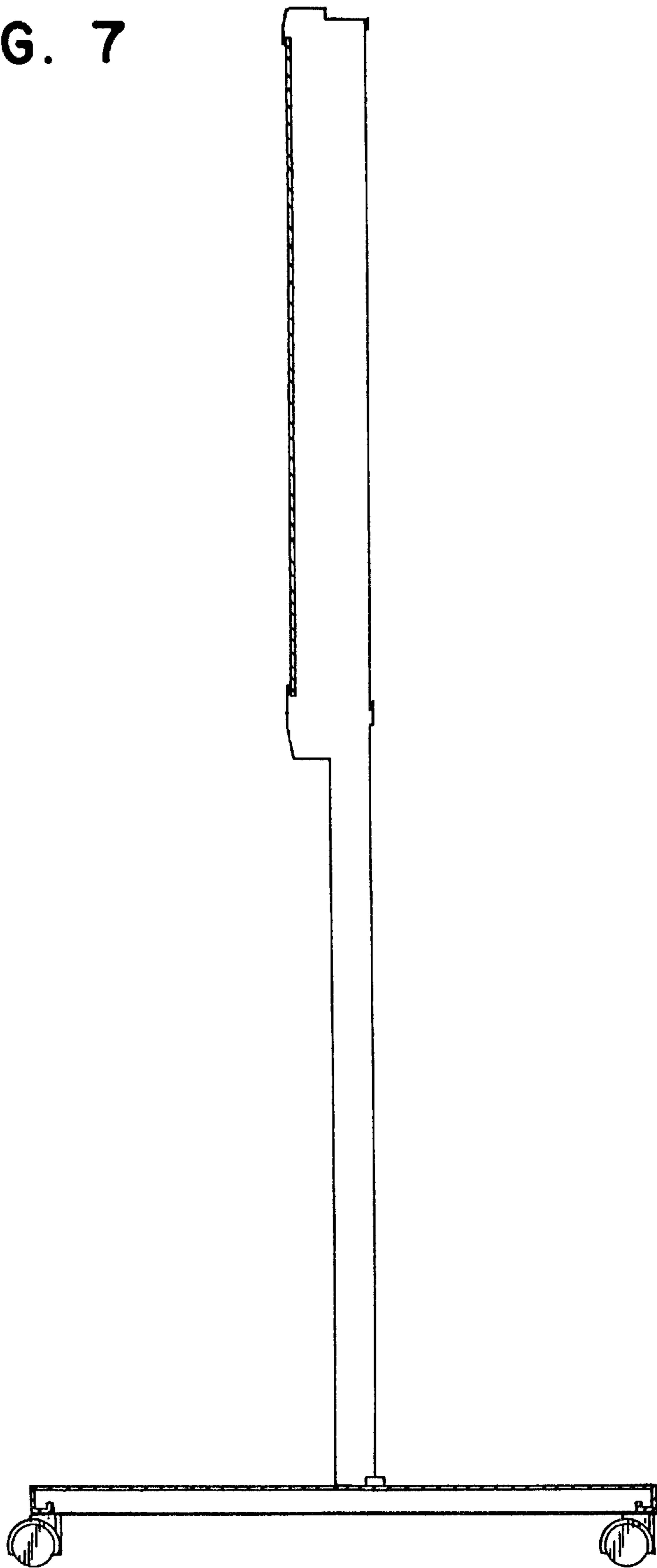


FIG. 8

