



US00D398651S

**United States Patent** [19]  
**Suzuki**

[11] **Patent Number: Des. 398,651**  
[45] **Date of Patent: \*\*Sep. 22, 1998**

[54] **PAPER CLIP**

[75] Inventor: **Takatoshi Suzuki**, 1848-36 Abiko, Abiko-shi, Chiba, Japan

[73] Assignees: **Takatoshi Suzuki**, Abiko; **Colleague Agencies, Inc.**; **Yasushi Yamaguchi**, both of Tokyo, all of Japan

[\*\*] Term: **14 Years**

[21] Appl. No.: **56,542**

[22] Filed: **Jul. 2, 1996**

[30] **Foreign Application Priority Data**

Jun. 26, 1996 [JP] Japan ..... 8-18952

[51] **LOC (6) Cl.** ..... **19-02**

[52] **U.S. Cl.** ..... **D19/90; D19/65; D19/86; D8/395**

[58] **Field of Search** ..... D8/395; D19/65, D19/32, 75, 86, 88, 90, 91, 99, 100; 24/67 R, 543, 67.1-67.9, 67 CF, 562; 402/15; 211/50, 89, 91; 281/42, 45; 248/214

[56] **References Cited**

**U.S. PATENT DOCUMENTS**

D. 266,858	11/1982	Cole	.....	D19/90
D. 310,689	9/1990	Evenson	.....	D19/86 X
D. 381,041	7/1997	Lammers et al.	.....	D19/32
2,530,821	11/1950	Hubbell	.....	211/45 X
2,760,288	8/1956	Shoenfeld	.....	D19/65 X
3,675,782	7/1972	Dudley	.....	211/50
4,105,127	8/1978	Höll	.....	211/89 X
4,147,257	4/1979	Zippel	.....	211/45
4,629,075	12/1986	Hutten	.....	211/89
4,773,575	9/1988	Jones	.....	211/89
5,495,644	3/1996	Meshner et al.	.....	24/67.9 X
5,546,638	8/1996	Chiodaroli	.....	24/67.9

*Primary Examiner*—Martie Thompson  
*Attorney, Agent, or Firm*—Kanesaka & Takeuchi

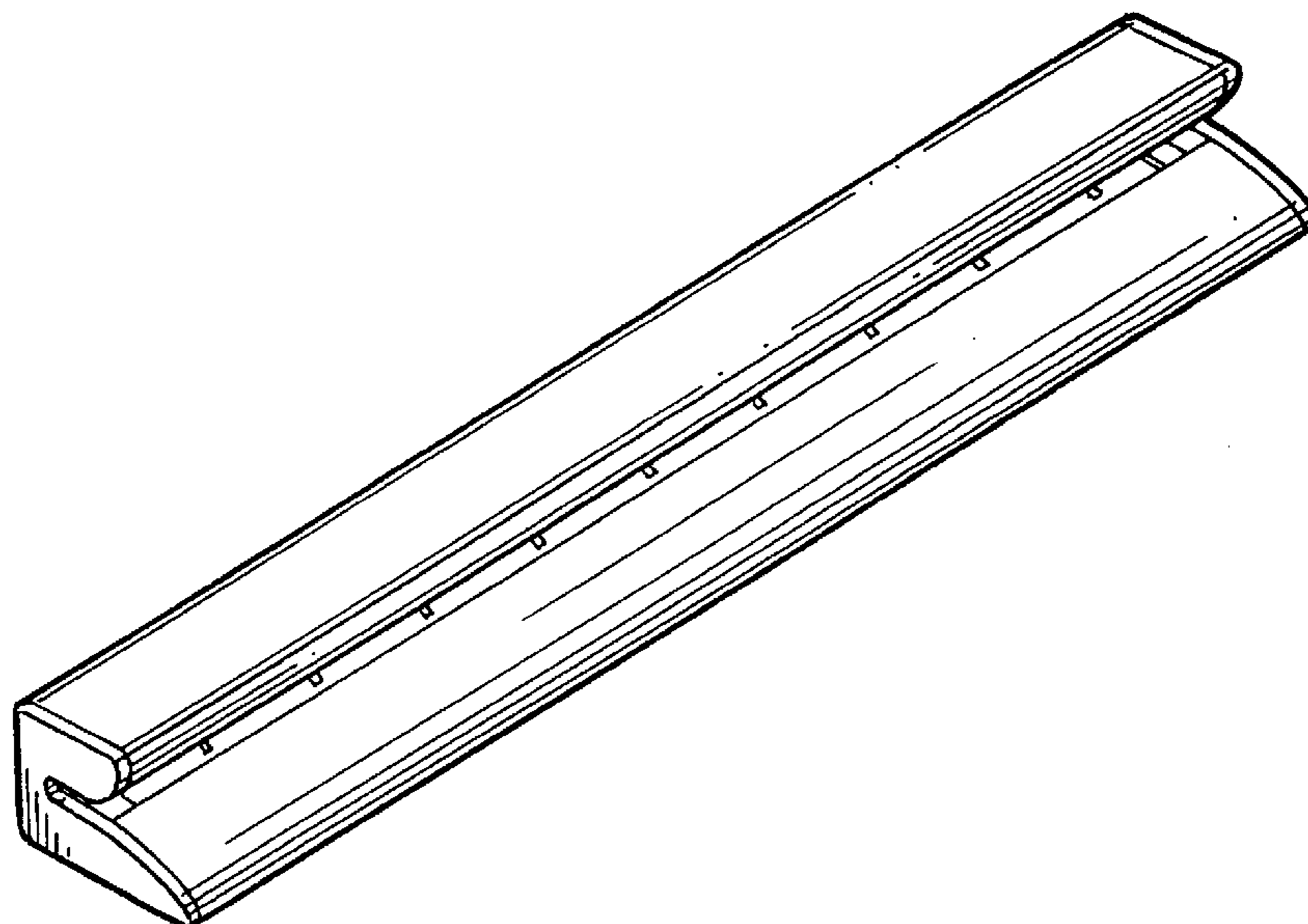
[57] **CLAIM**

The ornamental design for a paper clip, as shown and described.

**DESCRIPTION**

FIG. 1 is a front view of a paper clip showing my new design, which has been broken away for the purpose of indicating indeterminate length;  
 FIG. 2 is a rear view thereof;  
 FIG. 3 is a top plan view thereof;  
 FIG. 4 is a bottom plan view thereof;  
 FIG. 5 is a left side view thereof, the right side view being symmetrical to the left side view;  
 FIG. 6 is a magnified cross sectional view taken along line 6—6 in FIG. 4;  
 FIG. 7 is a cross sectional view taken along line 7—7 in FIG. 4;  
 FIG. 8 is a cross sectional view taken along line 8—8 in FIG. 4;  
 FIG. 9 is a front view of a paper clip showing a second embodiment of my design of FIG. 1, which has been broken away for the purpose of indicating indeterminate length;  
 FIG. 10 is a rear view of FIG. 9;  
 FIG. 11 is a top plan view of FIG. 9;  
 FIG. 12 is a bottom plan view of FIG. 9;  
 FIG. 13 is a left side view of FIG. 9, the right side view being symmetrical to the left side view;  
 FIG. 14 is a magnified cross sectional view taken along line 14—14 in FIG. 12;  
 FIG. 15 is a magnified cross sectional view taken along line 15—15 in FIG. 12;  
 FIG. 16 is a cross sectional view taken along line 16—16 in FIG. 12;  
 FIG. 17 is a cross sectional view taken along line 17—17 in FIG. 12; and,  
 FIG. 18 is a perspective view of the embodiment of FIG. 9, showing the complete article.

**1 Claim, 5 Drawing Sheets**



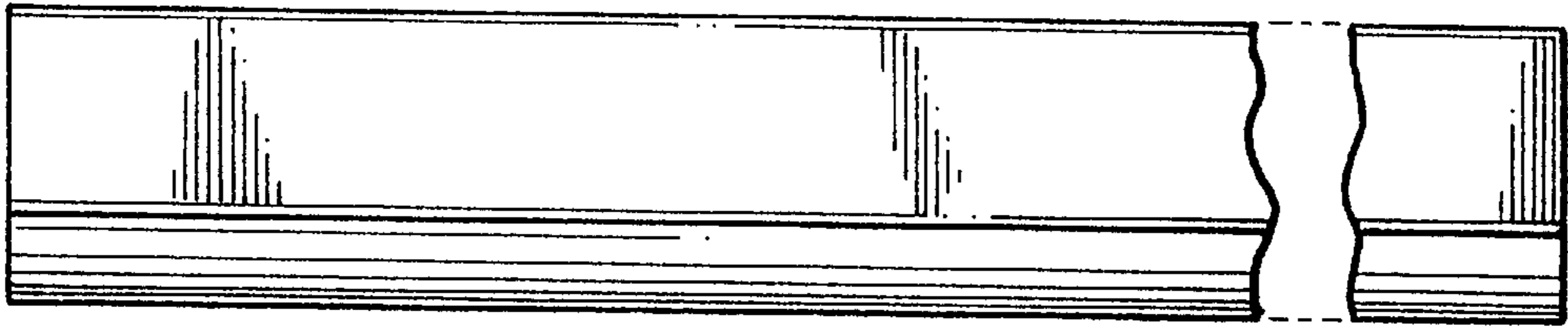


FIG. 1

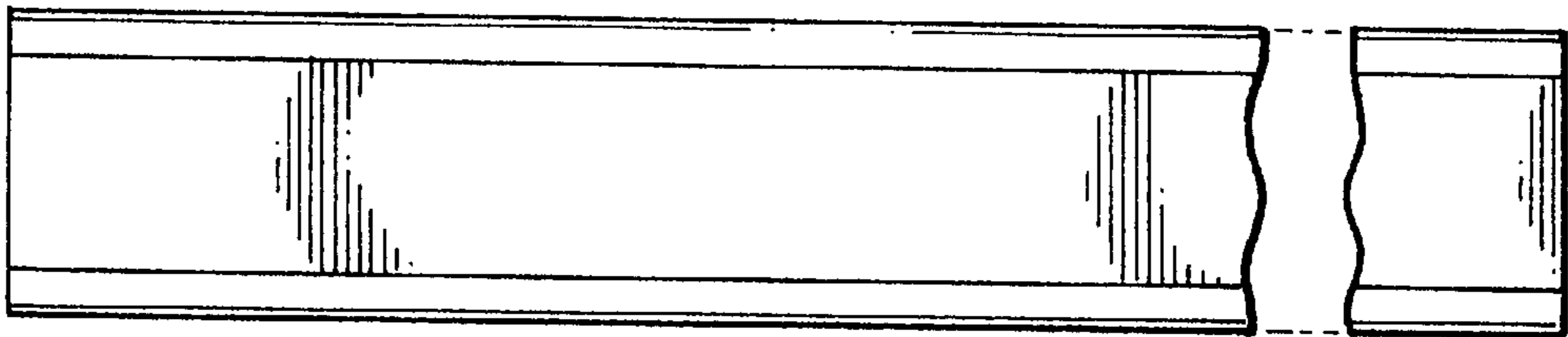


FIG. 2

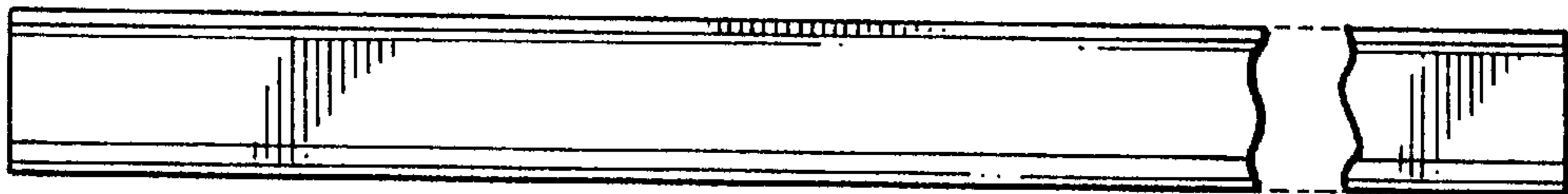


FIG. 3

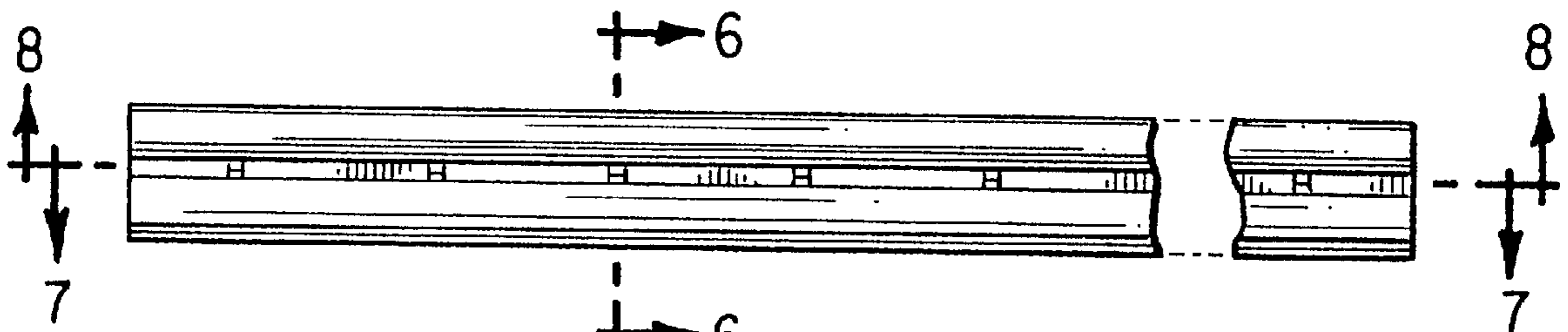


FIG. 4



FIG. 5

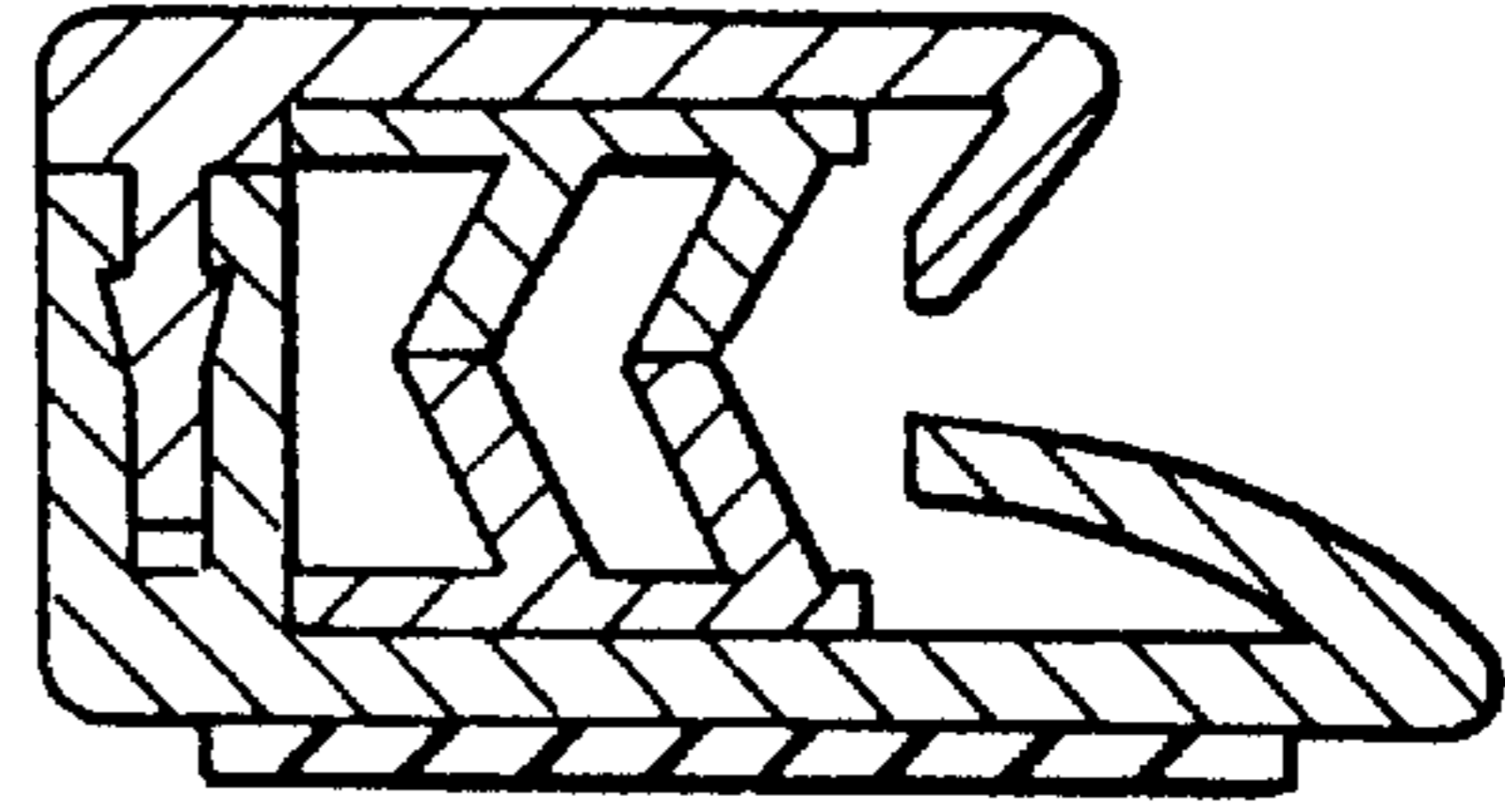


FIG. 6

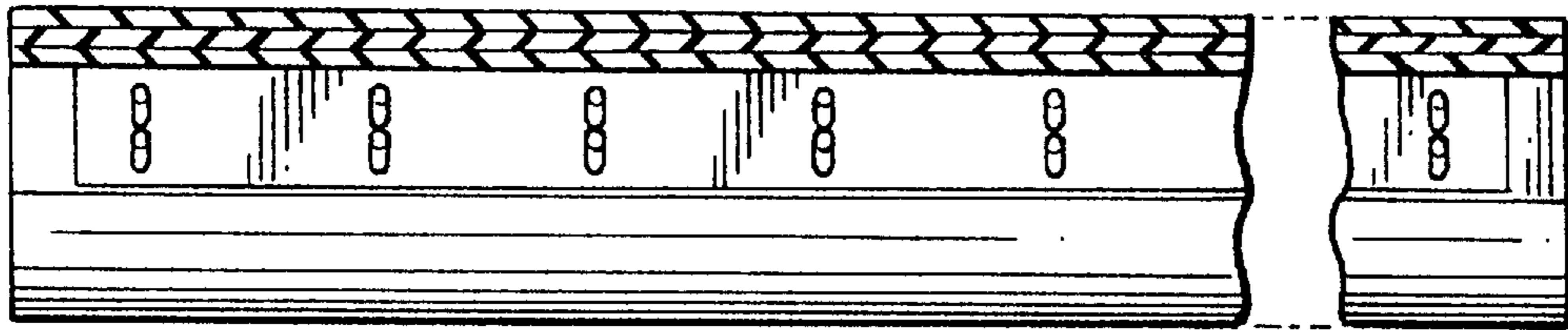


FIG. 7

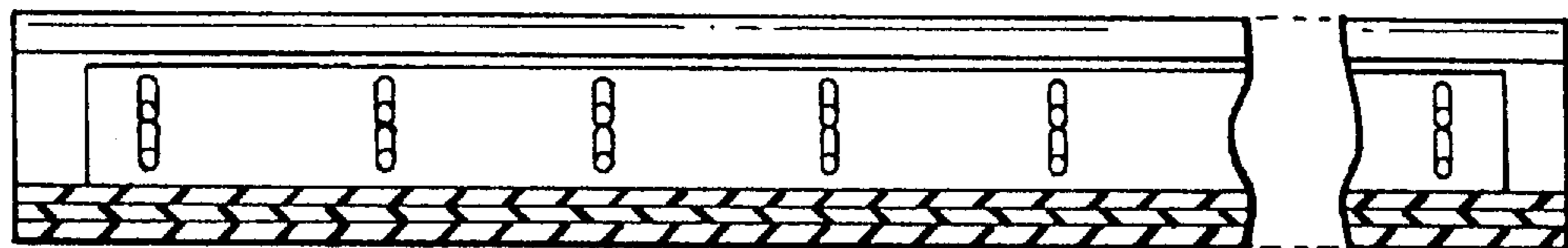


FIG. 8

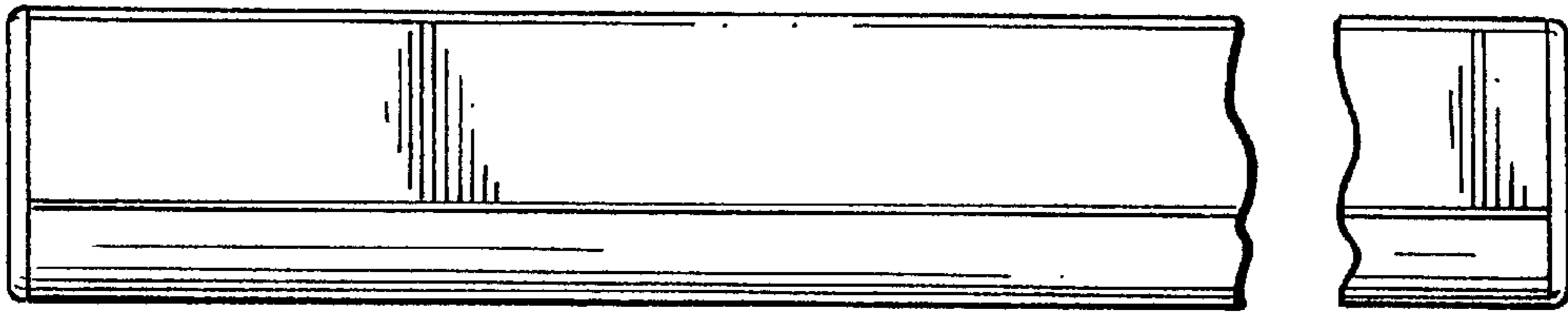


FIG. 9

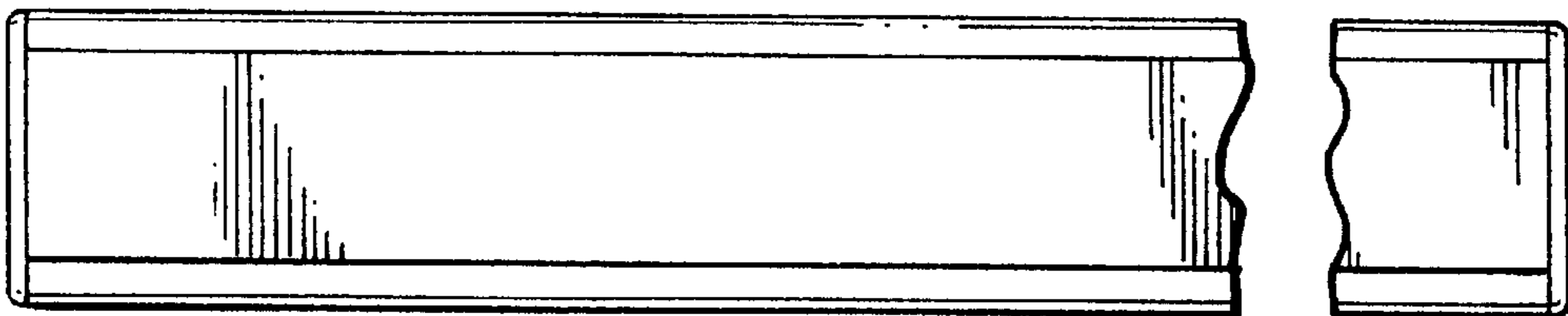


FIG. 10



FIG. 11

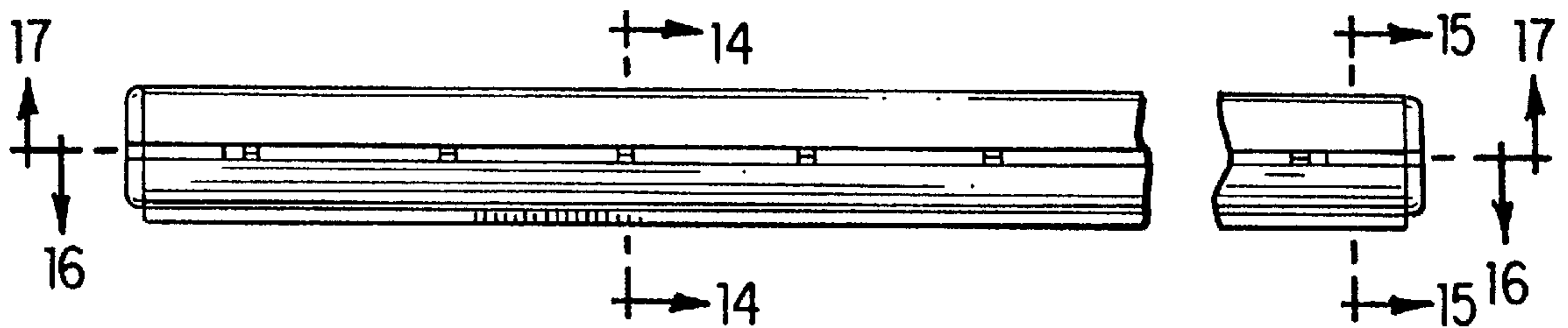


FIG. 12



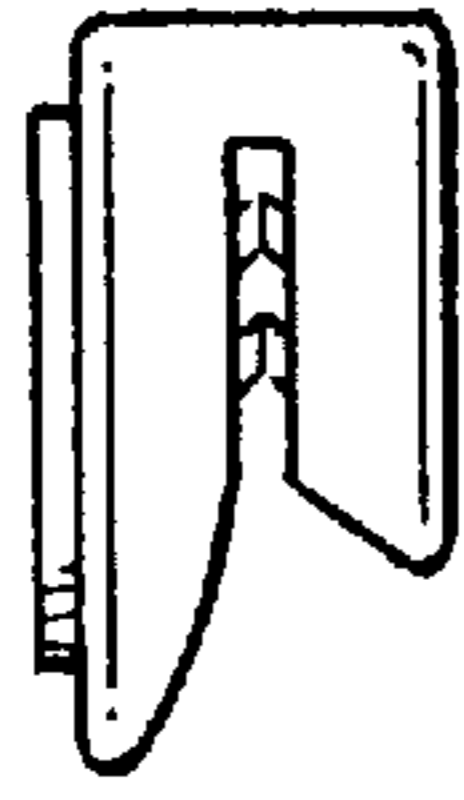


FIG. 13

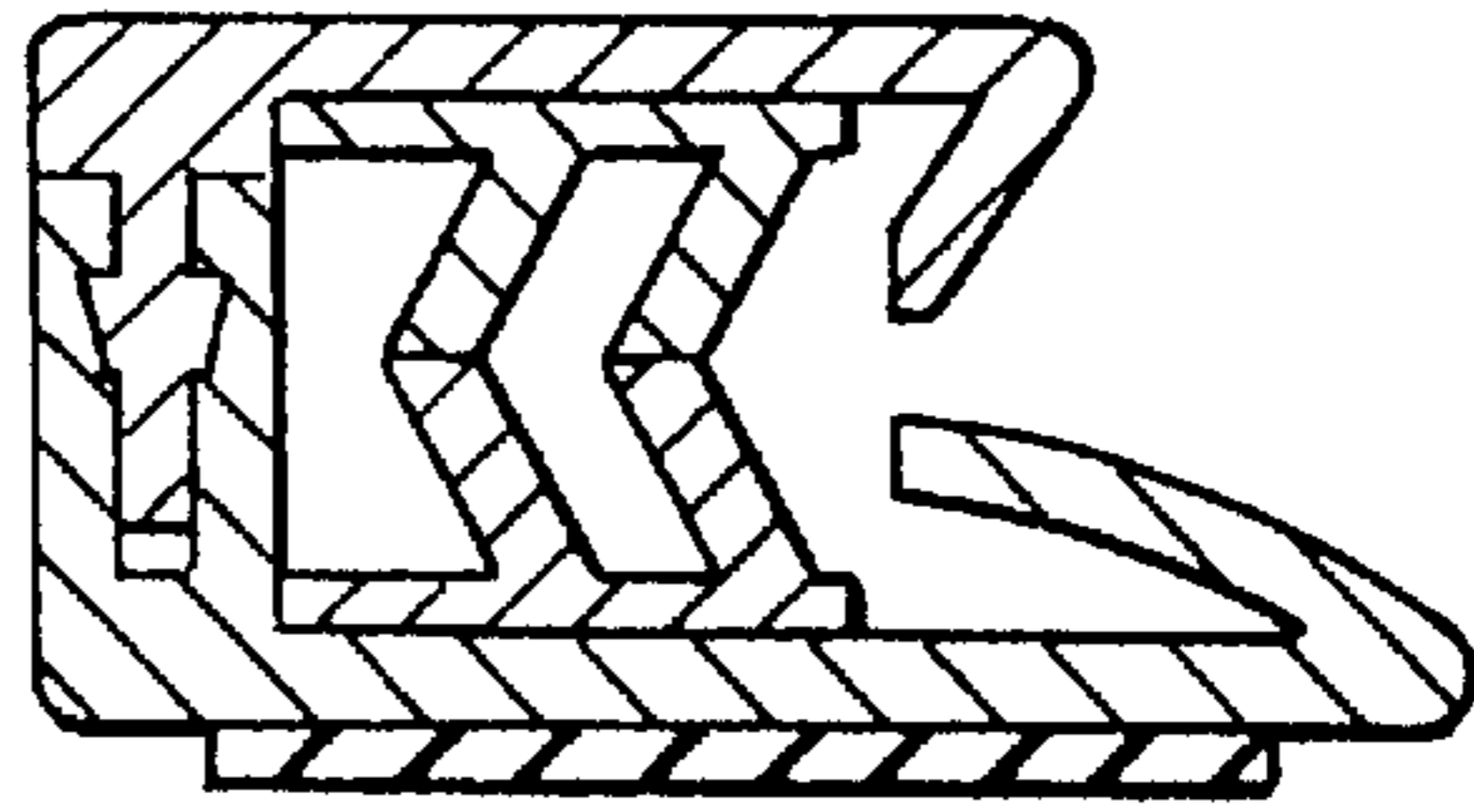


FIG. 14

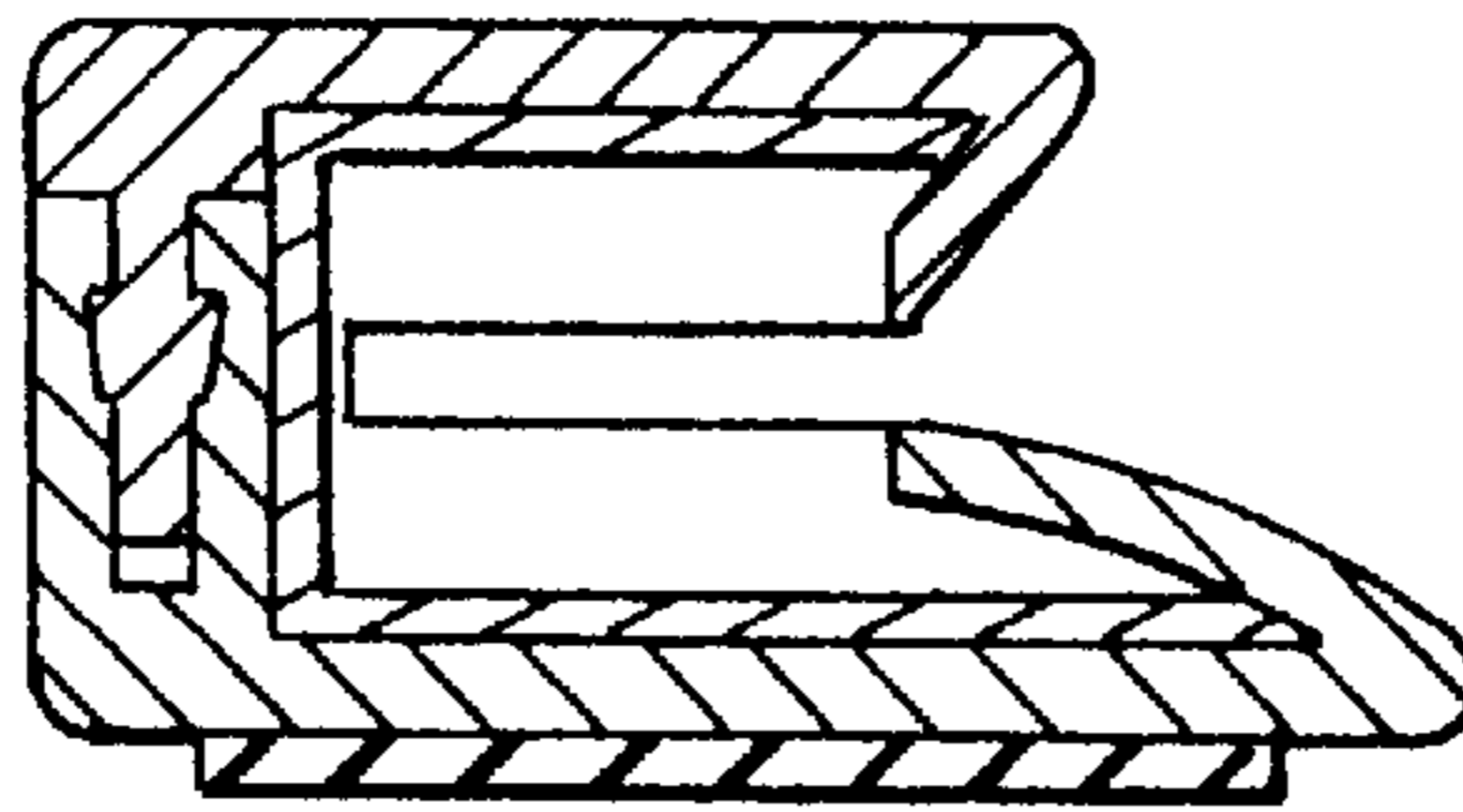


FIG. 15

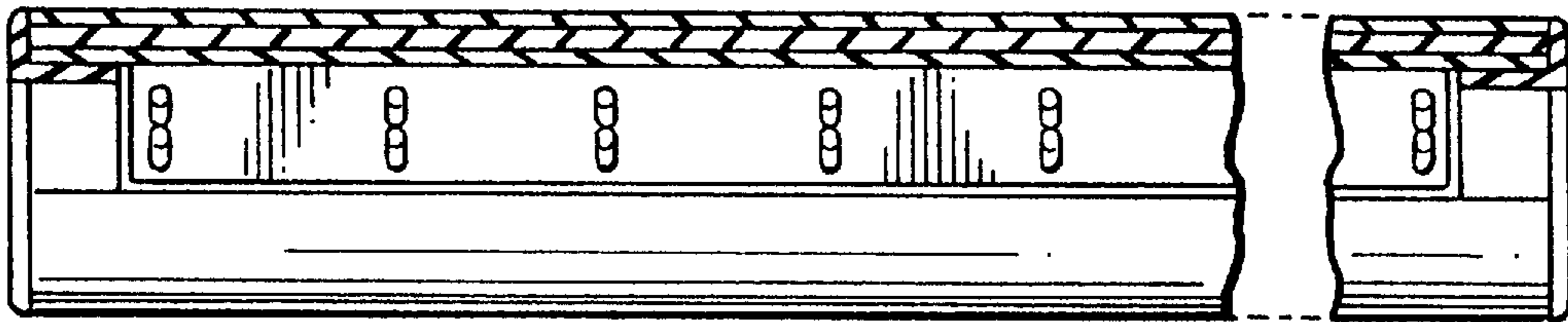


FIG. 16



FIG. 17

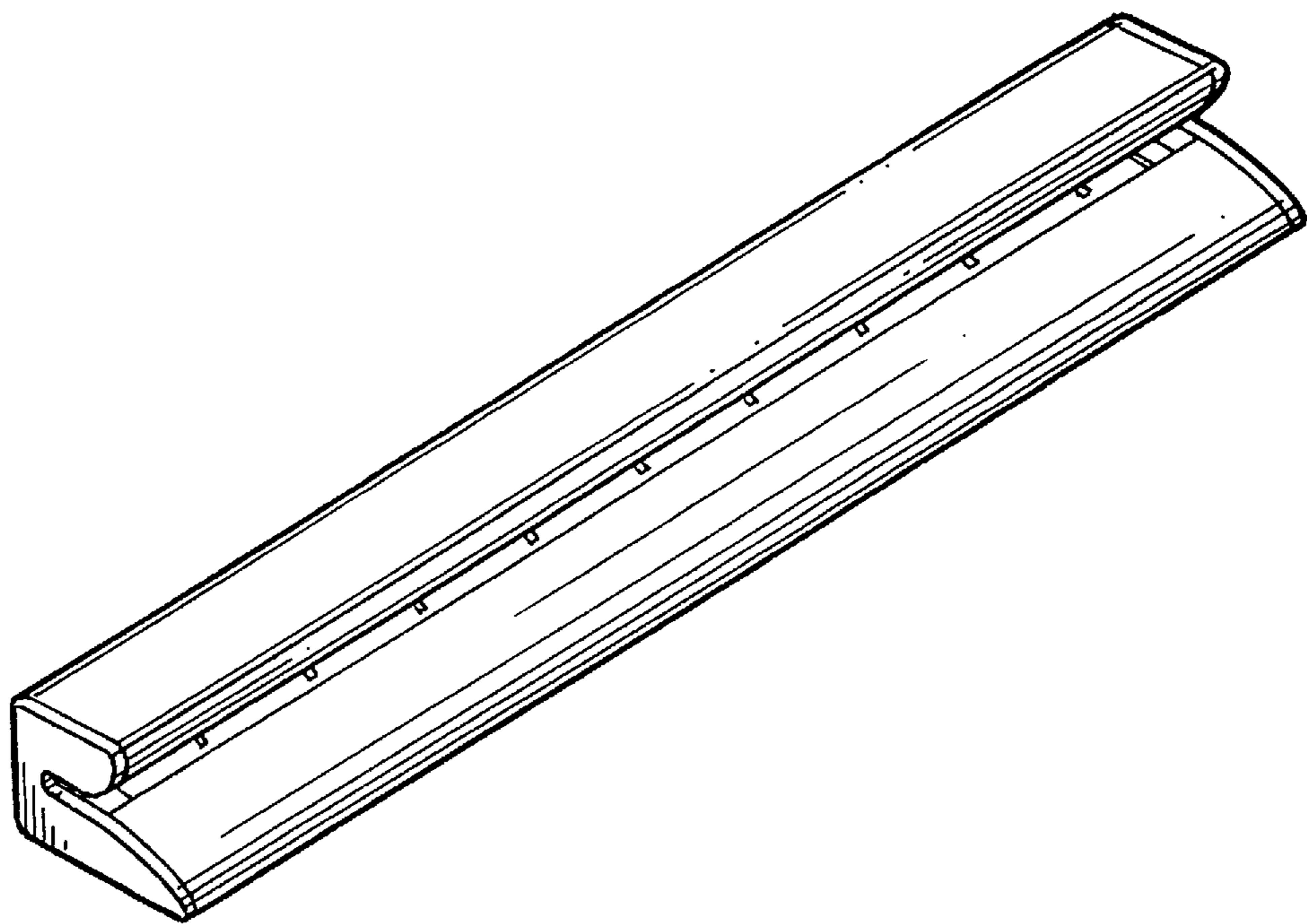


FIG. 18