



US00D398648S

United States Patent [19]
Matthews

[11] **Patent Number: Des. 398,648**

[45] **Date of Patent: **Sep. 22, 1998**

[54] **MAIL AND BILL ORGANIZER**

[76] Inventor: **Hilda A. Matthews**, 1937 E. Merion Dr., Ontario, Calif. 91761

[**] Term: **14 Years**

[21] Appl. No.: **52,779**

[22] Filed: **Apr. 5, 1996**

[51] **LOC (6) Cl. 19-02**

[52] **U.S. Cl. D19/75; D6/440; D99/33; D19/90**

[58] **Field of Search** D6/513, 440, 553, D6/475; D19/65, 75, 78, 86, 90, 91, 99, 100; 312/100; 211/50, 126, 55, 88, 10, 11, 13, 71, 72, 73, 104; D99/33; D9/420, 423, 424, 431, 432, 418, 414

[56] **References Cited**

U.S. PATENT DOCUMENTS

D. 106,425 10/1937 Connor D19/90 X
D. 137,479 3/1944 Martin D6/440

D. 219,487 12/1970 Blumberg D99/33
D. 281,614 12/1985 Carpenter et al. D19/90
D. 283,310 4/1986 Hopper D6/513
D. 365,231 12/1995 Hopper D6/513
3,316,048 4/1967 Levy 312/100 X
4,160,570 7/1979 Bridges 211/88
4,424,906 1/1984 Richmond 211/50

Primary Examiner—Martie Thompson

[57] **CLAIM**

The ornamental design for a mail and bill organizer, as shown and described.

DESCRIPTION

FIG. 1 is a front elevational view of the mail and bill organizer showing my new design;
FIG. 2 is a rear elevational view thereof;
FIG. 3 is a right view thereof with lid in the open position;
FIG. 4 is a left view thereof with lid in the closed position;
FIG. 5 is a top plan view thereof;
FIG. 6 is a bottom plan view thereof; and,
FIG. 7 is a top, right front perspective view thereof.

1 Claim, 4 Drawing Sheets

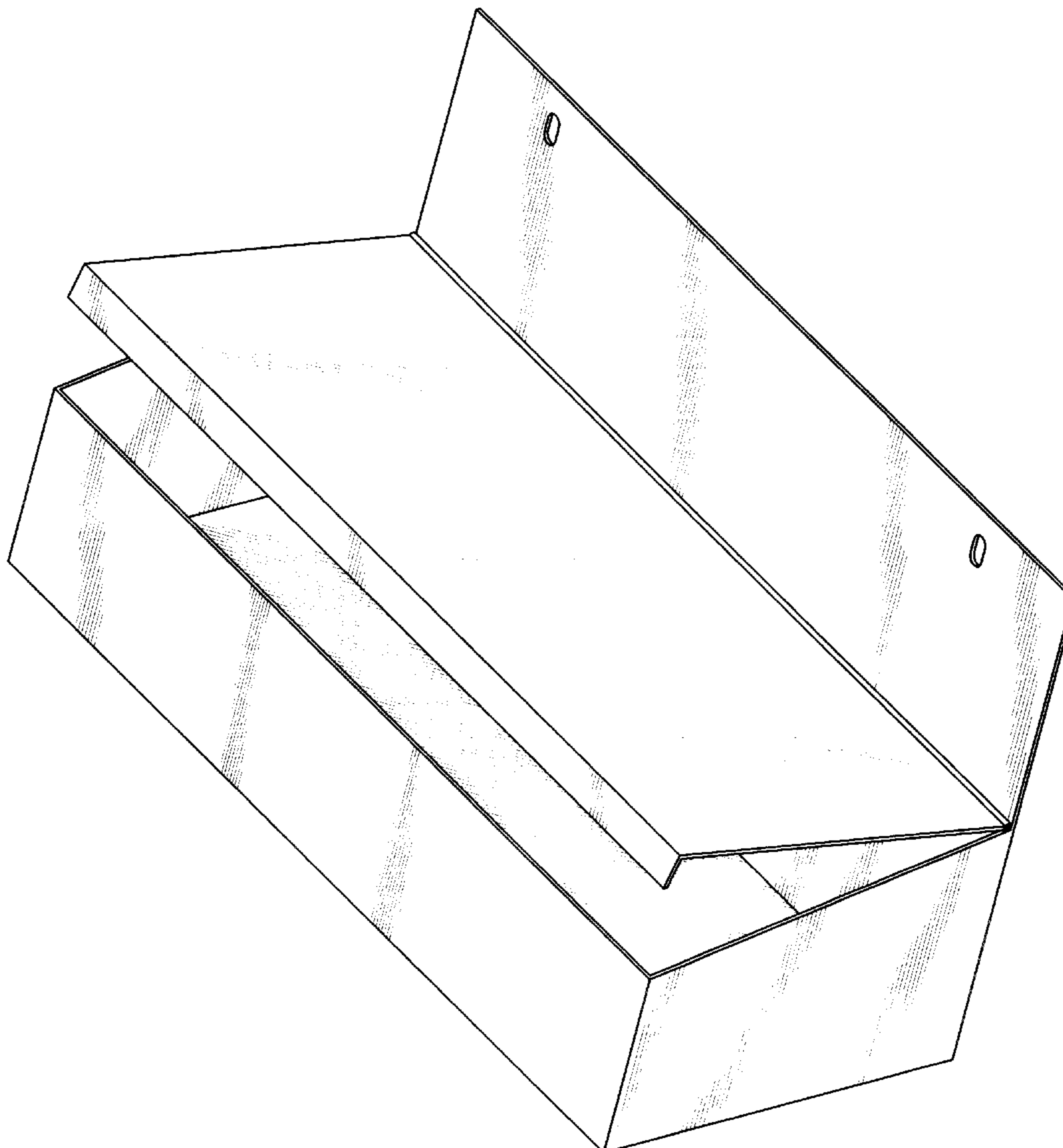


FIG. 1

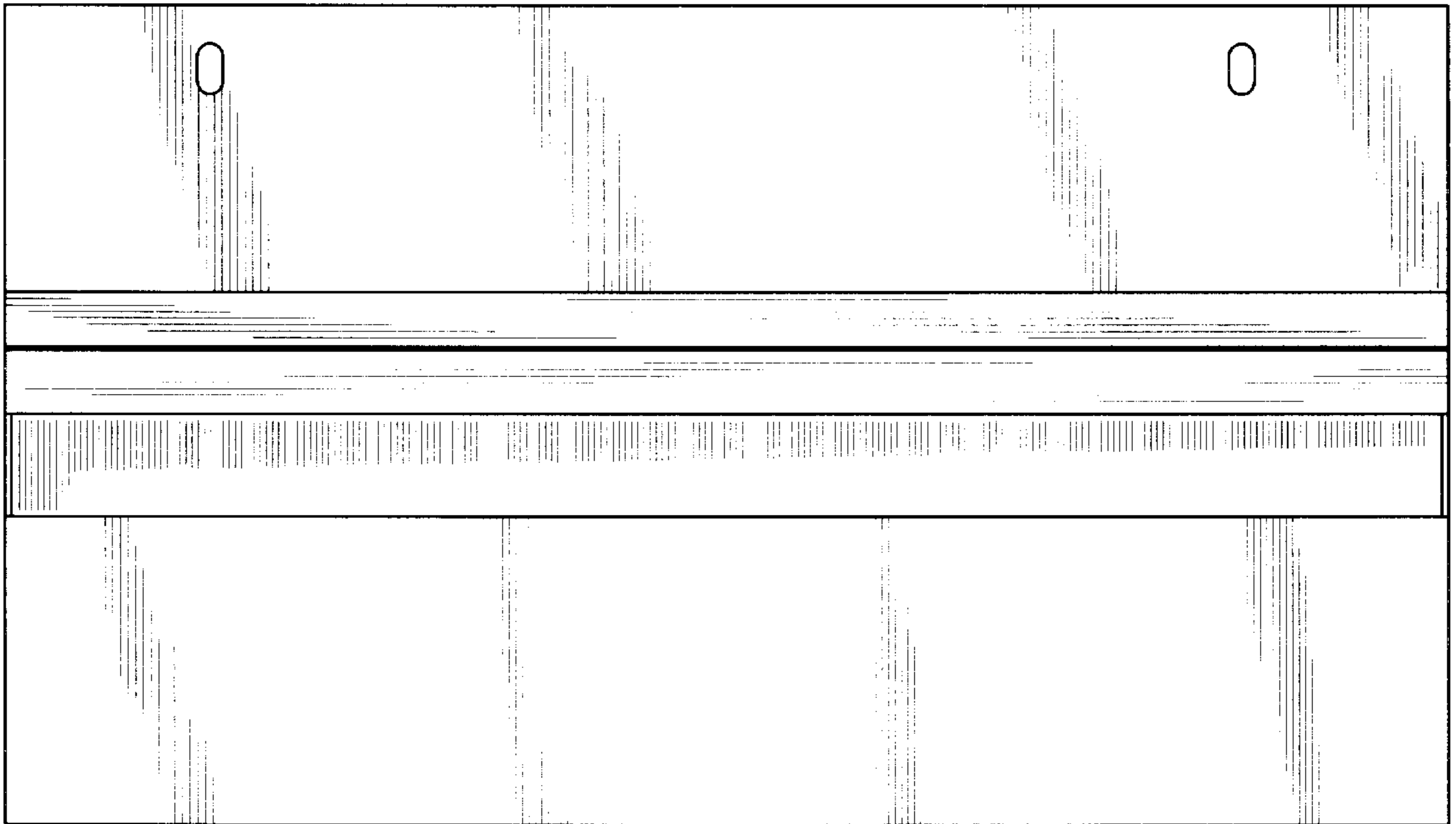


FIG. 2

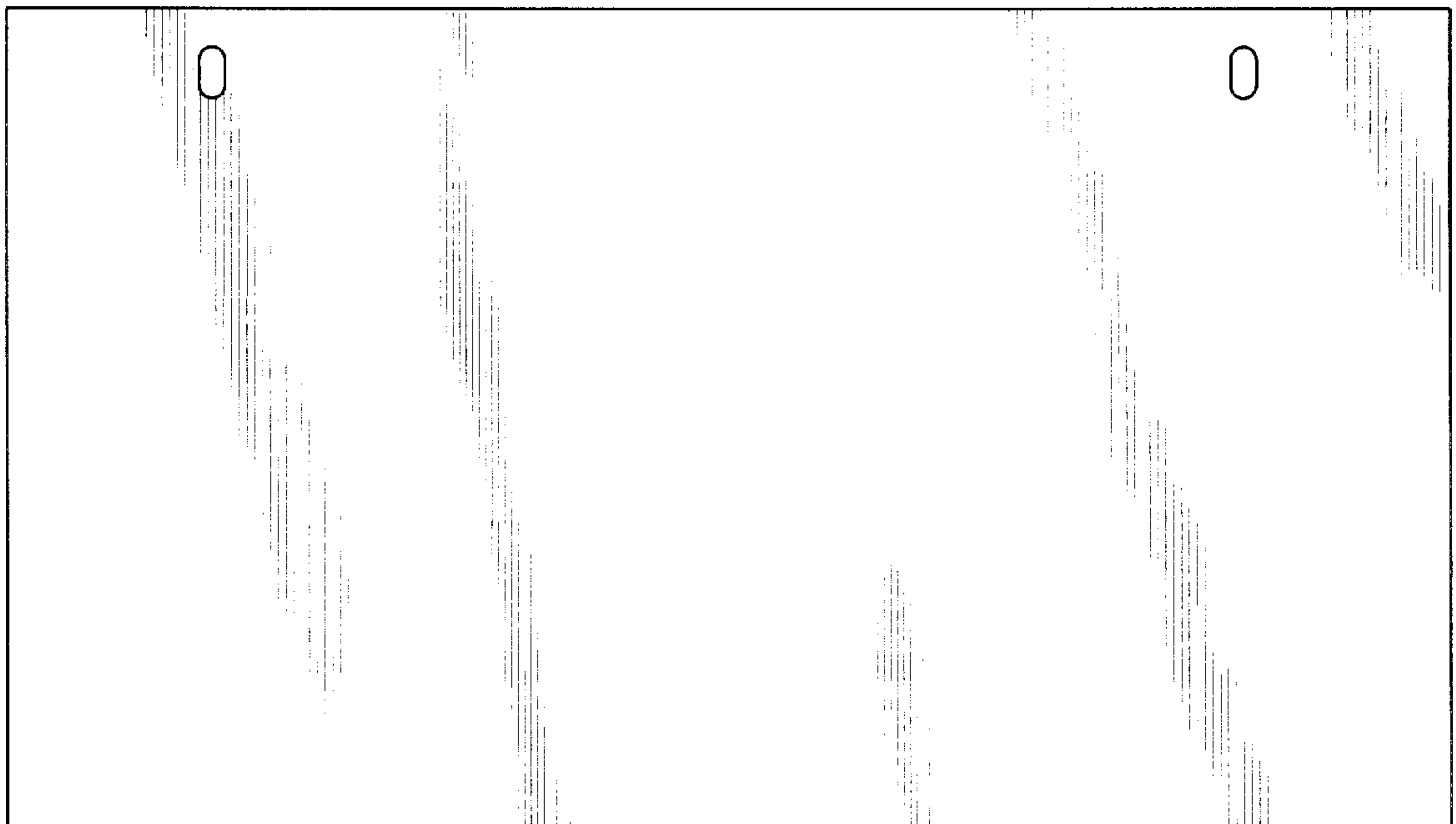


FIG. 3

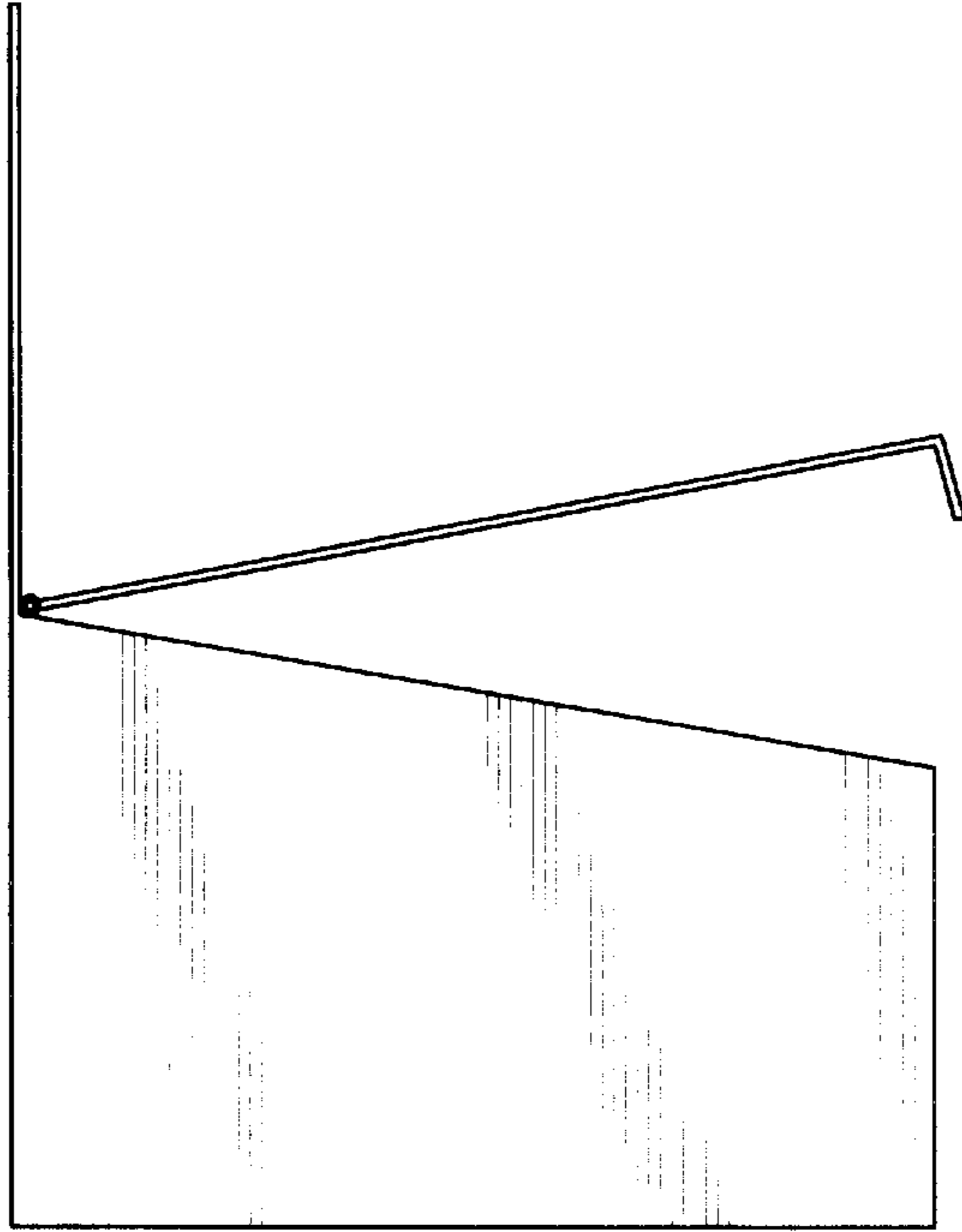


FIG. 4

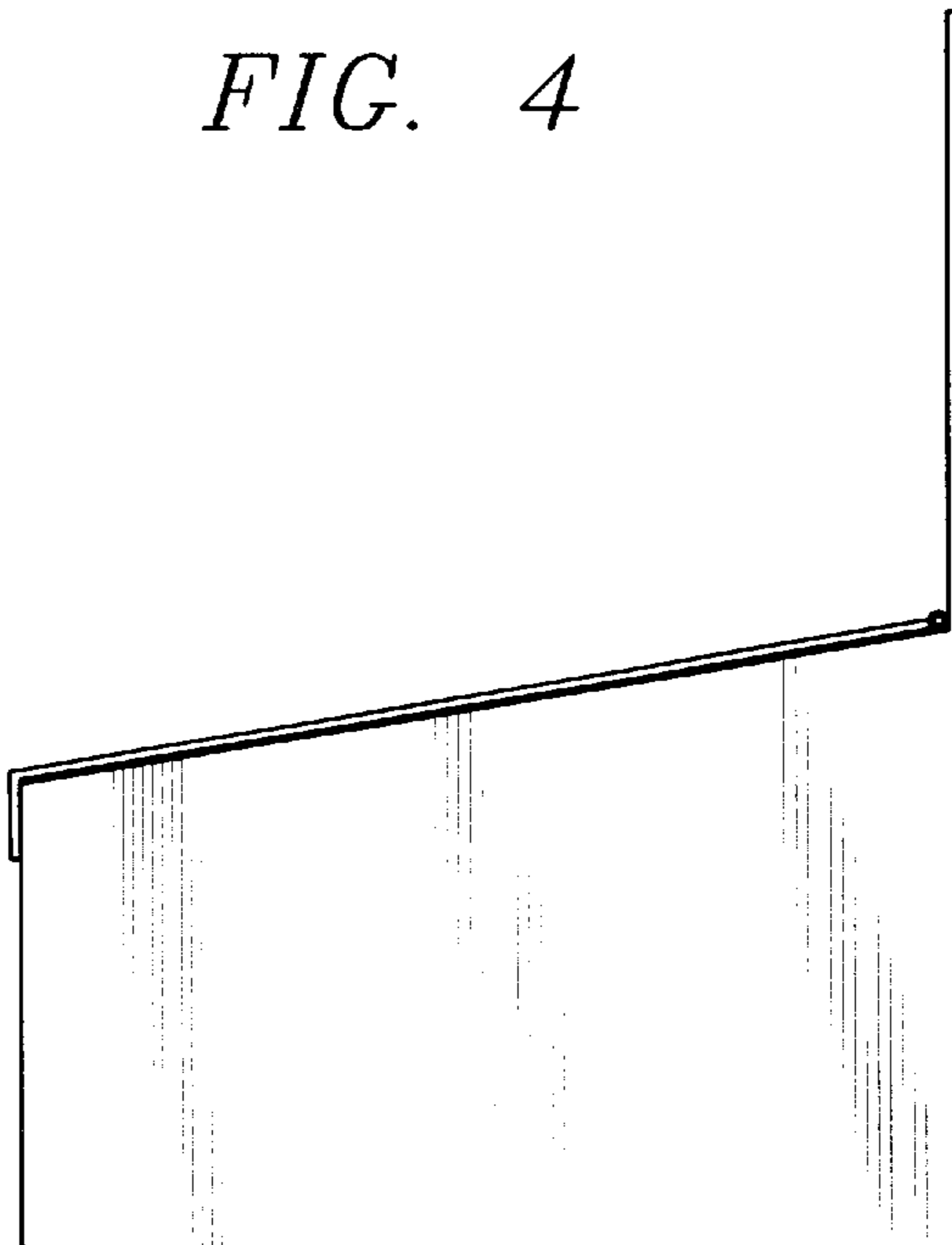


FIG. 5

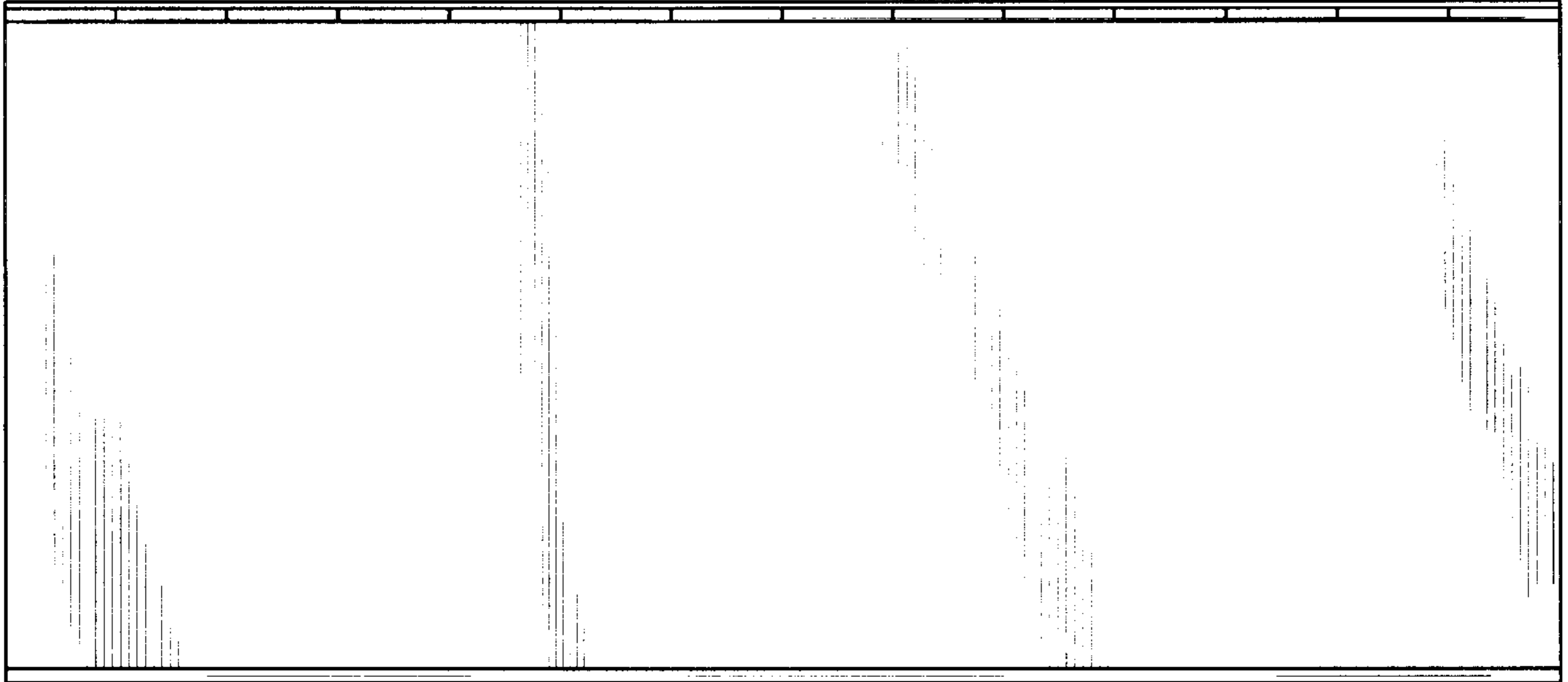


FIG. 6



FIG. 7

