



US00D398645S

United States Patent [19]

Tsao

[11] Patent Number: **Des. 398,645**

[45] Date of Patent: ****Sep. 22, 1998**

[54] **TEACHING TOOL**

[76] Inventor: **Chin-Chen Tsao**, No. 152, Tung Pei Street, Chung Shan District, Taipei, Taiwan

[**] Term: **14 Years**

[21] Appl. No.: **82,208**

[22] Filed: **Jan. 16, 1998**

[51] **LOC (6) Cl.** **19-07**

[52] **U.S. Cl.** **D19/64; D19/59; D10/2**

[58] **Field of Search** D10/1, 2, 3, 4, D10/18, 15; D19/59, 62, 64, 81-85, 95, 99, 100; 368/10, 223, 316, 317, 327; 434/304

[56] **References Cited**

U.S. PATENT DOCUMENTS

- D. 250,201 11/1978 Pierce D10/3
- D. 266,992 11/1982 Powell D10/2
- D. 271,566 11/1983 Powell D10/2

- D. 315,733 3/1991 Shimasaki D10/2 X
- D. 359,240 6/1995 Benton D10/4
- 1,087,207 2/1914 Austin D19/62 X
- 4,725,061 2/1988 Cross 434/304 X
- 5,022,016 6/1991 Smith et al. 368/223

Primary Examiner—Martie K. Holtje
Attorney, Agent, or Firm—Rosenberg, Klein & Bilker

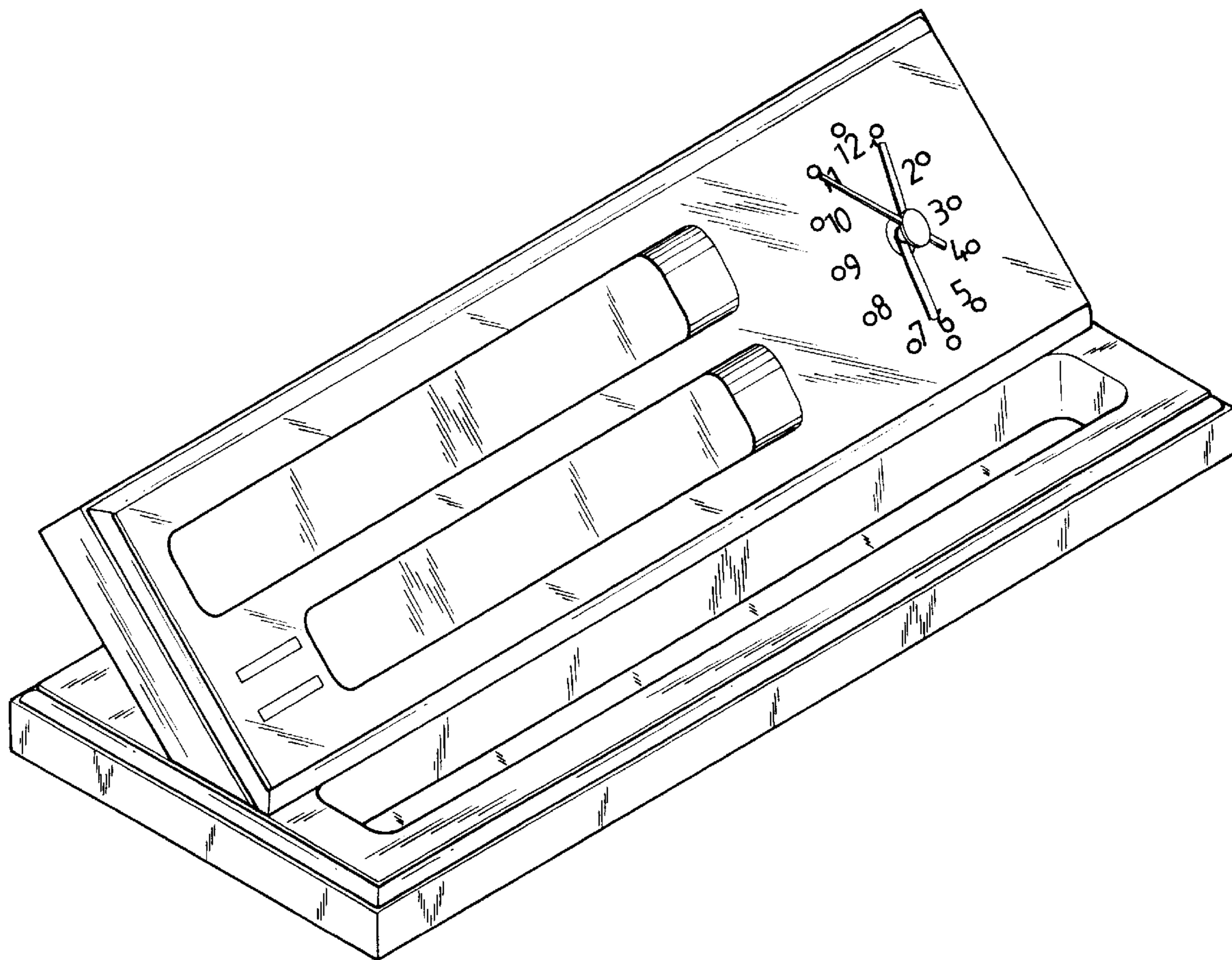
[57] **CLAIM**

The ornamental design for teaching tool, as shown and described.

DESCRIPTION

FIG. 1 is a perspective view of a teaching tool showing my new design;
FIG. 2 is a front elevational view thereof;
FIG. 3 is a rear elevational view thereof;
FIG. 4 is a left side elevational view thereof;
FIG. 5 is a right side elevational view thereof;
FIG. 6 is a top plan view thereof; and
FIG. 7 is a bottom plan view thereof.

1 Claim, 5 Drawing Sheets



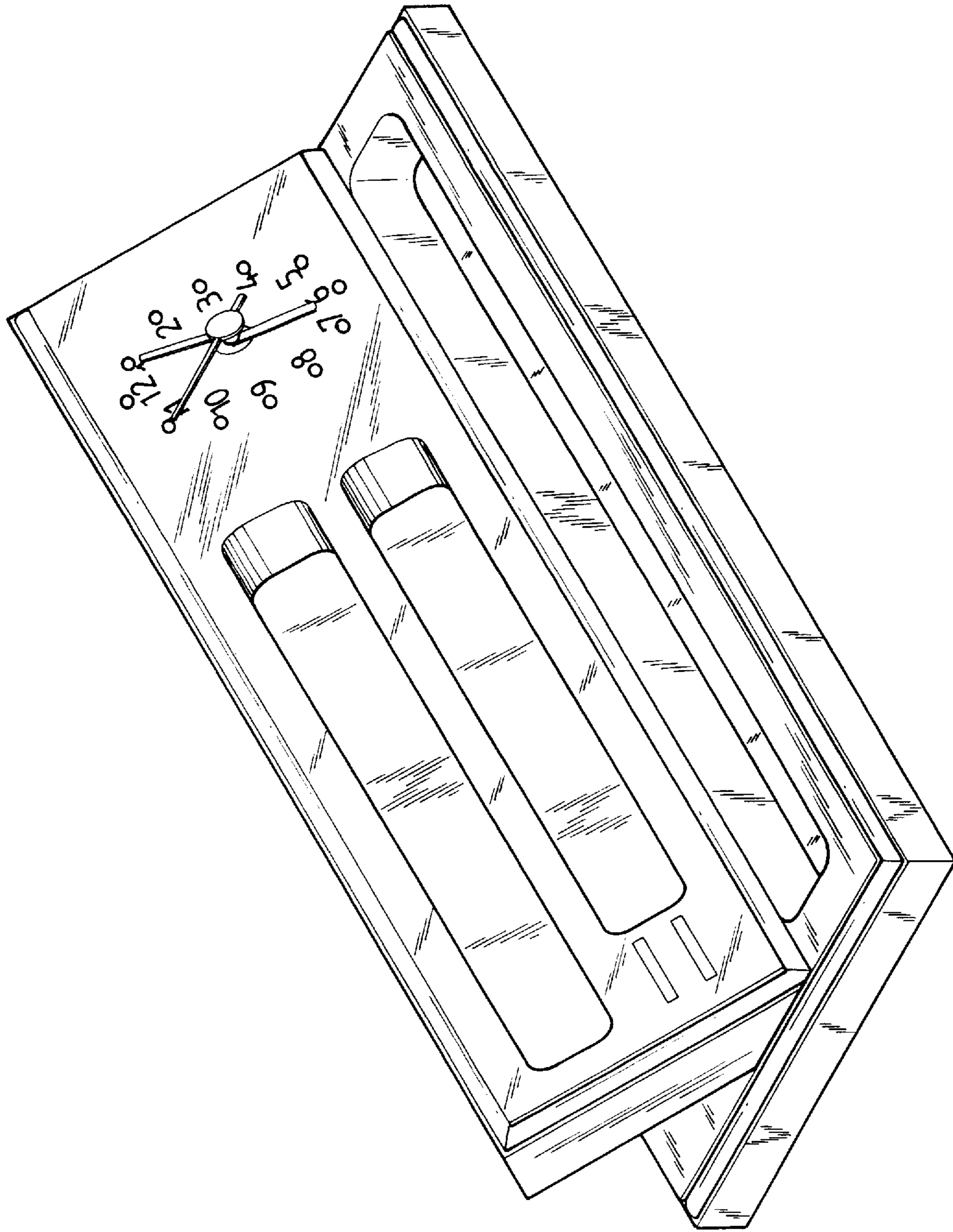


FIG. 1

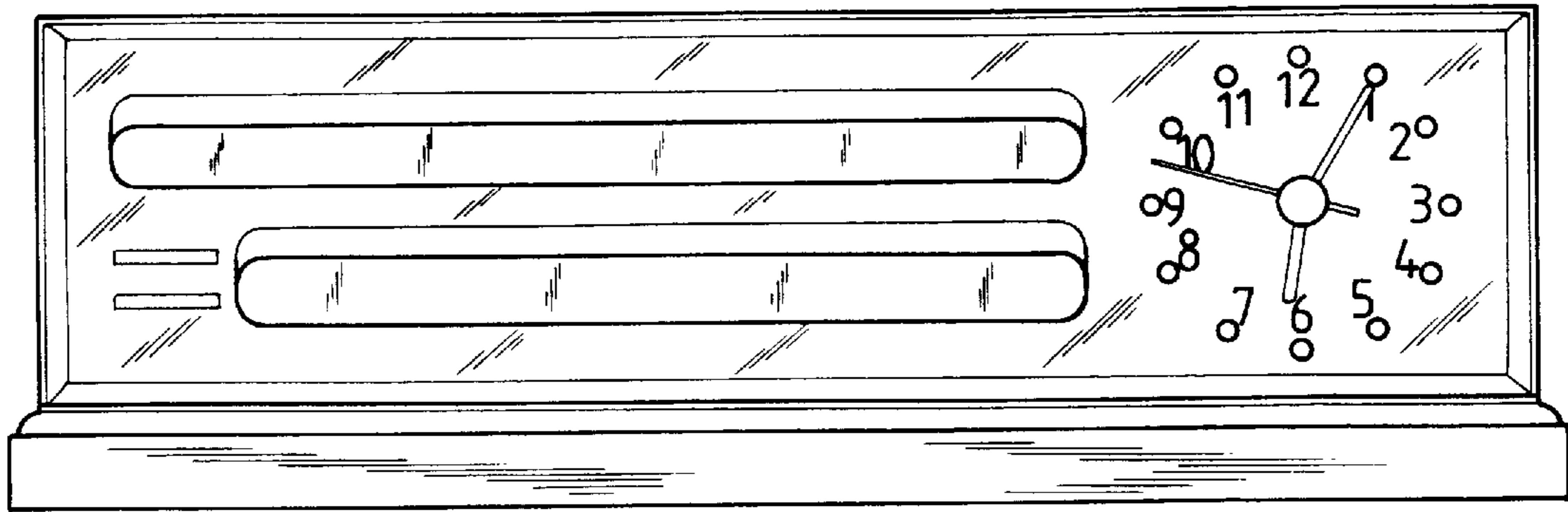


FIG. 2

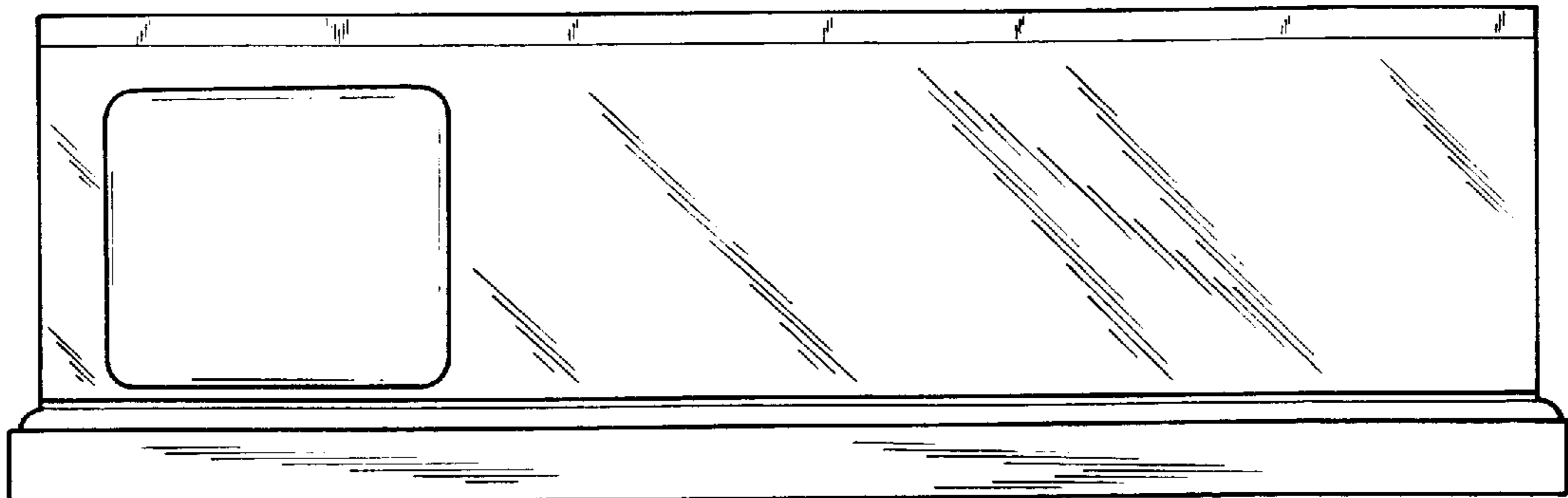


FIG. 3

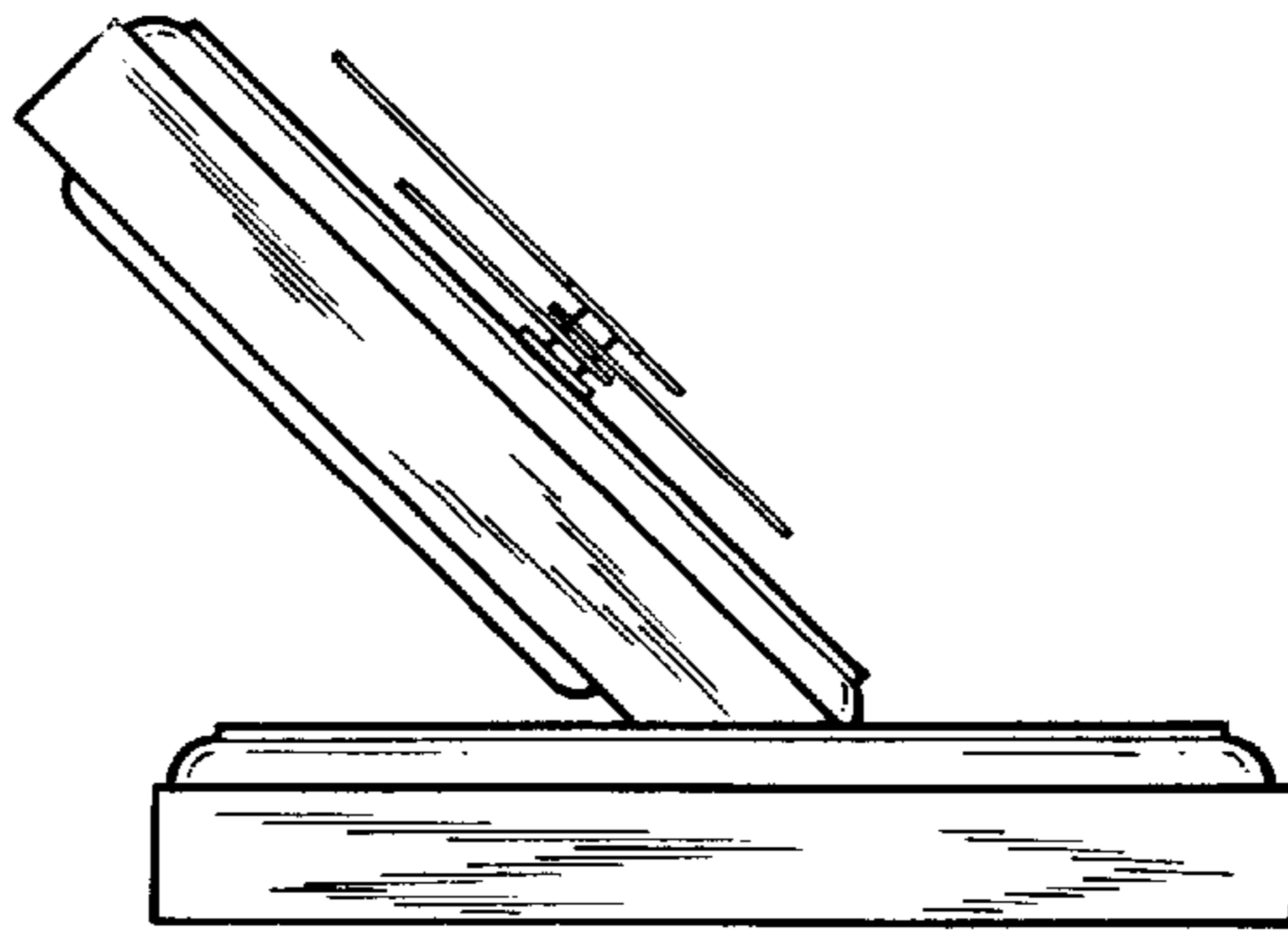
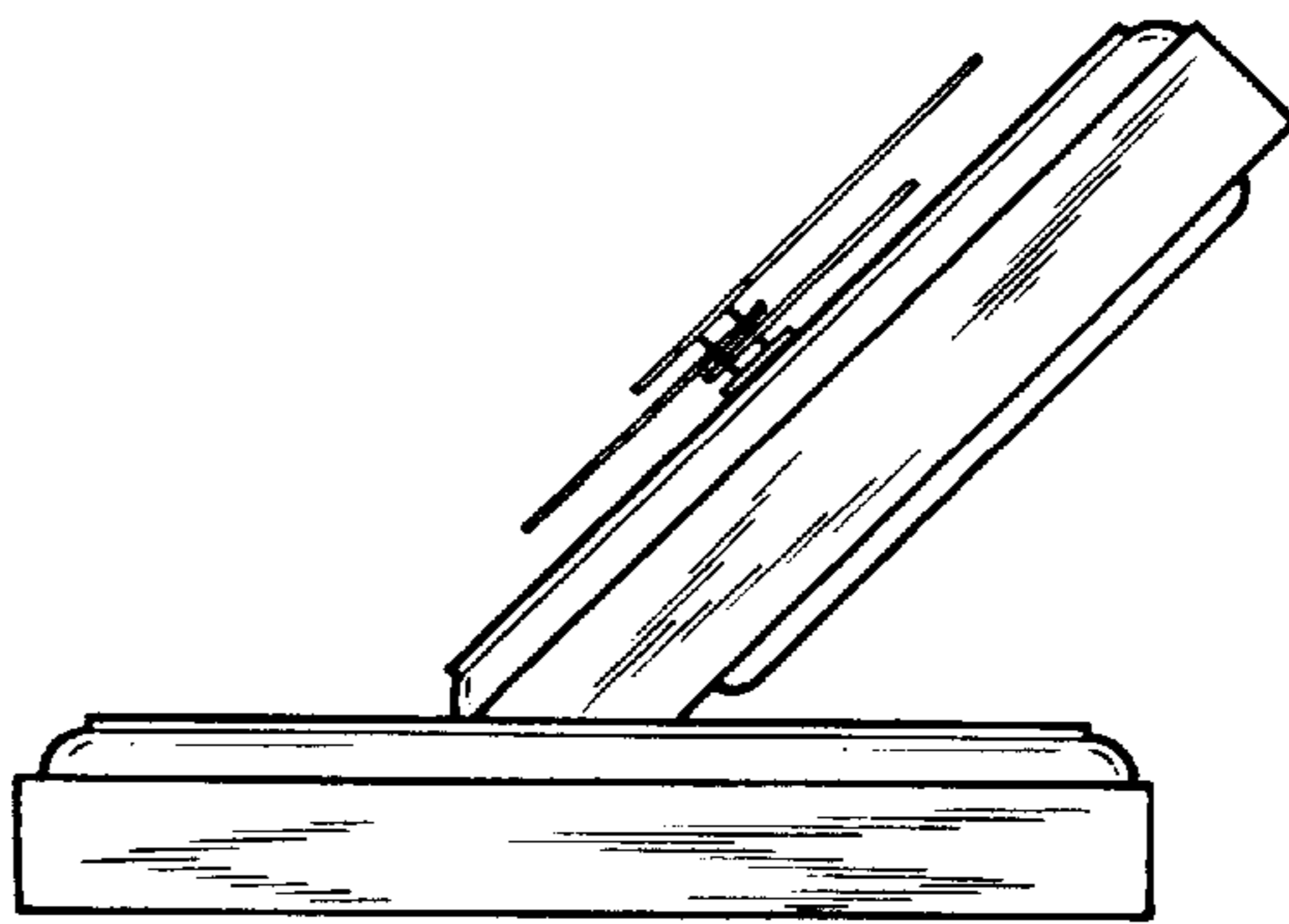


FIG. 4



F I G . 5

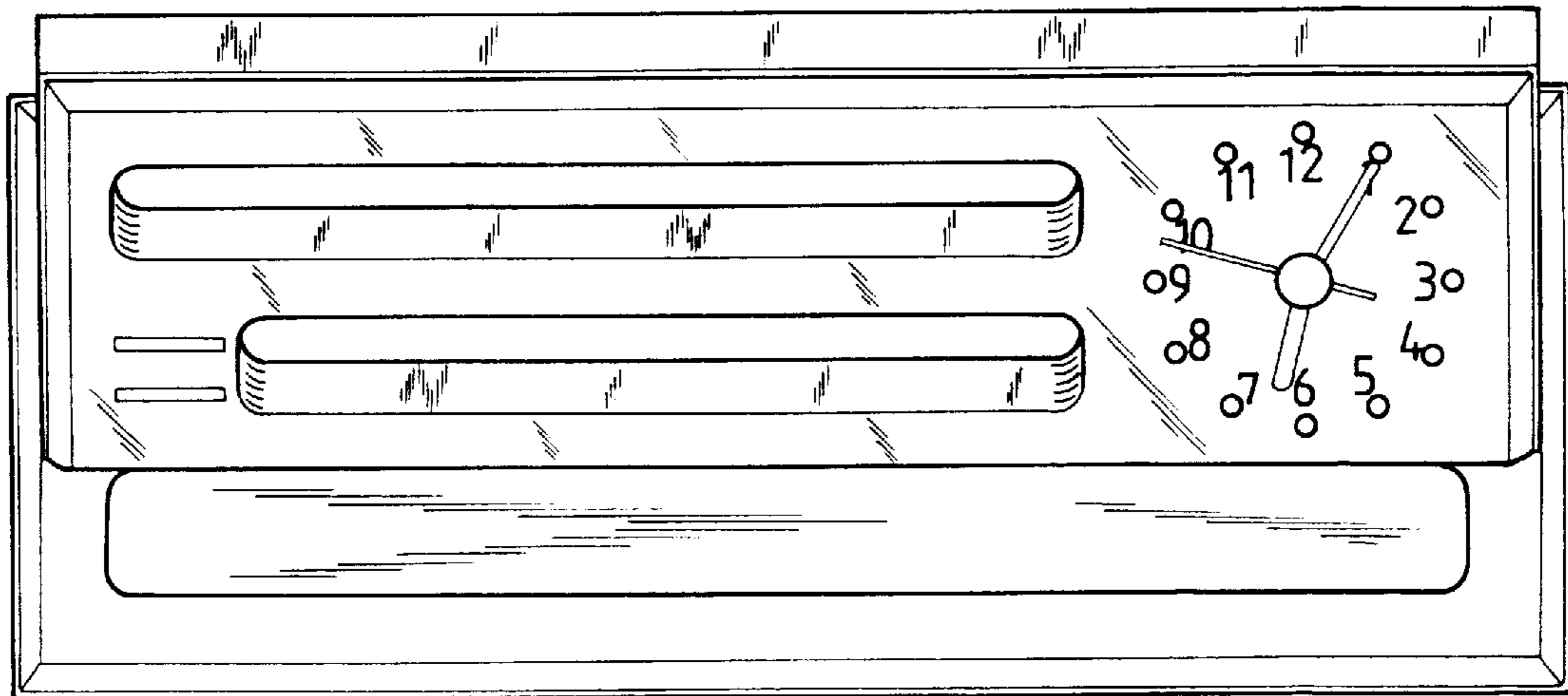


FIG. 6

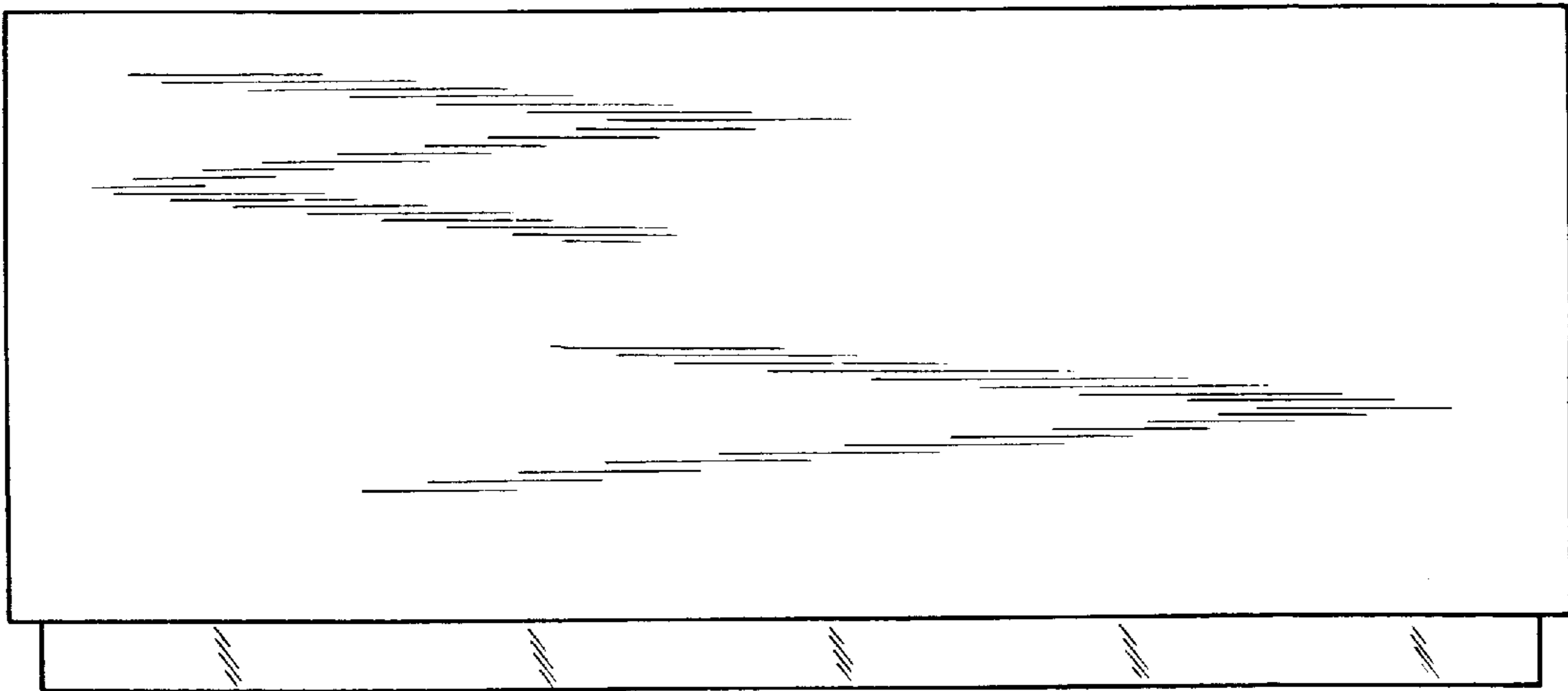


FIG. 7