



US00D398638S

United States Patent [19]

[11] **Patent Number: Des. 398,638**

Deutsch

[45] **Date of Patent: **Sep. 22, 1998**

[54] **REFILL STATION FOR PRINT HEADS OR INK CARTRIDGES**

Primary Examiner—Louis S. Zarfes
Assistant Examiner—G. Albert Andoll
Attorney, Agent, or Firm—Stephan A. Pendorf, P.A.

[75] Inventor: **Stephan Deutsch**, Ulm, Germany

[57] **CLAIM**

[73] Assignee: **PMS GmbH Produktion + Recycling von Buromaschinenzubehor**, Germany

The ornamental design for a refill station for print heads or ink cartridges, as shown and described.

[**] Term: **14 Years**

DESCRIPTION

[21] Appl. No.: **71,136**

FIG. 1 is a front elevated perspective view of the refill station for print heads or ink cartridges according to the invention;

[22] Filed: **May 21, 1997**

FIG. 2 is a front view of the refill station for print heads or ink cartridges of FIG. 1;

[30] **Foreign Application Priority Data**

Nov. 22, 1996 [DE] Germany M 96 10 083.4

FIG. 3 is a back view of the refill station for print heads or ink cartridges of FIG. 1;

[51] **LOC (6) Cl.** **18-02**

FIG. 4 is a left side view of the refill station for print heads or ink cartridges of FIG. 1;

[52] **U.S. Cl.** **D18/99; D18/50**

FIG. 5 is a right side view of the refill station for print heads or ink cartridges of FIG. 1;

[58] **Field of Search** D18/99, 40; 347/84, 347/85, 87, 36; 141/18, 311, 311 R, 115, 369

FIG. 6 is a top view of the refill station for print heads or ink cartridges of FIG. 1; and,

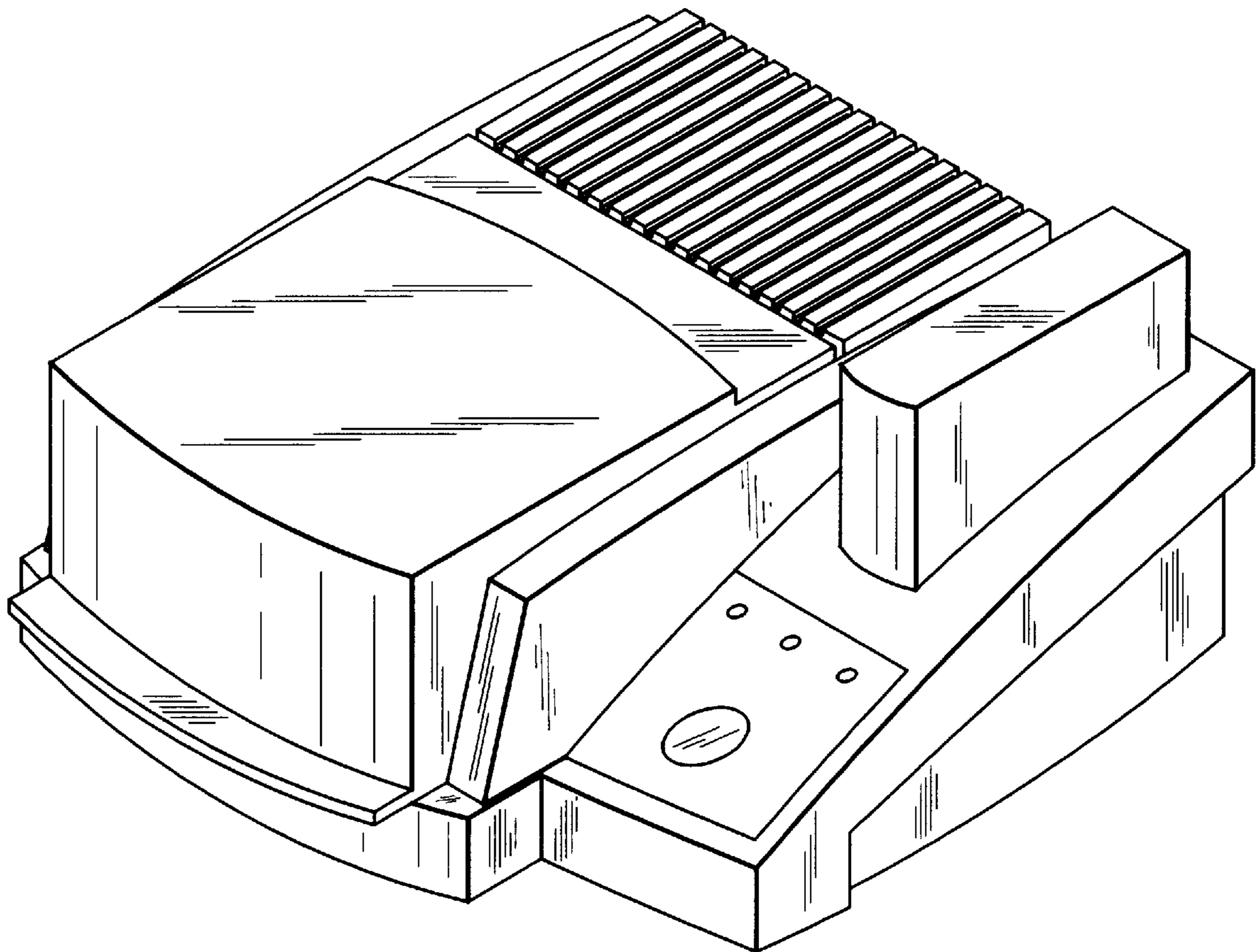
[56] **References Cited**

FIG. 7 is a bottom view of the refill station for print heads or ink cartridges of FIG. 1.

U.S. PATENT DOCUMENTS

5,495,877 3/1996 Schwenk et al. 141/370
5,704,403 1/1998 Schwenk et al. 141/18

1 Claim, 4 Drawing Sheets



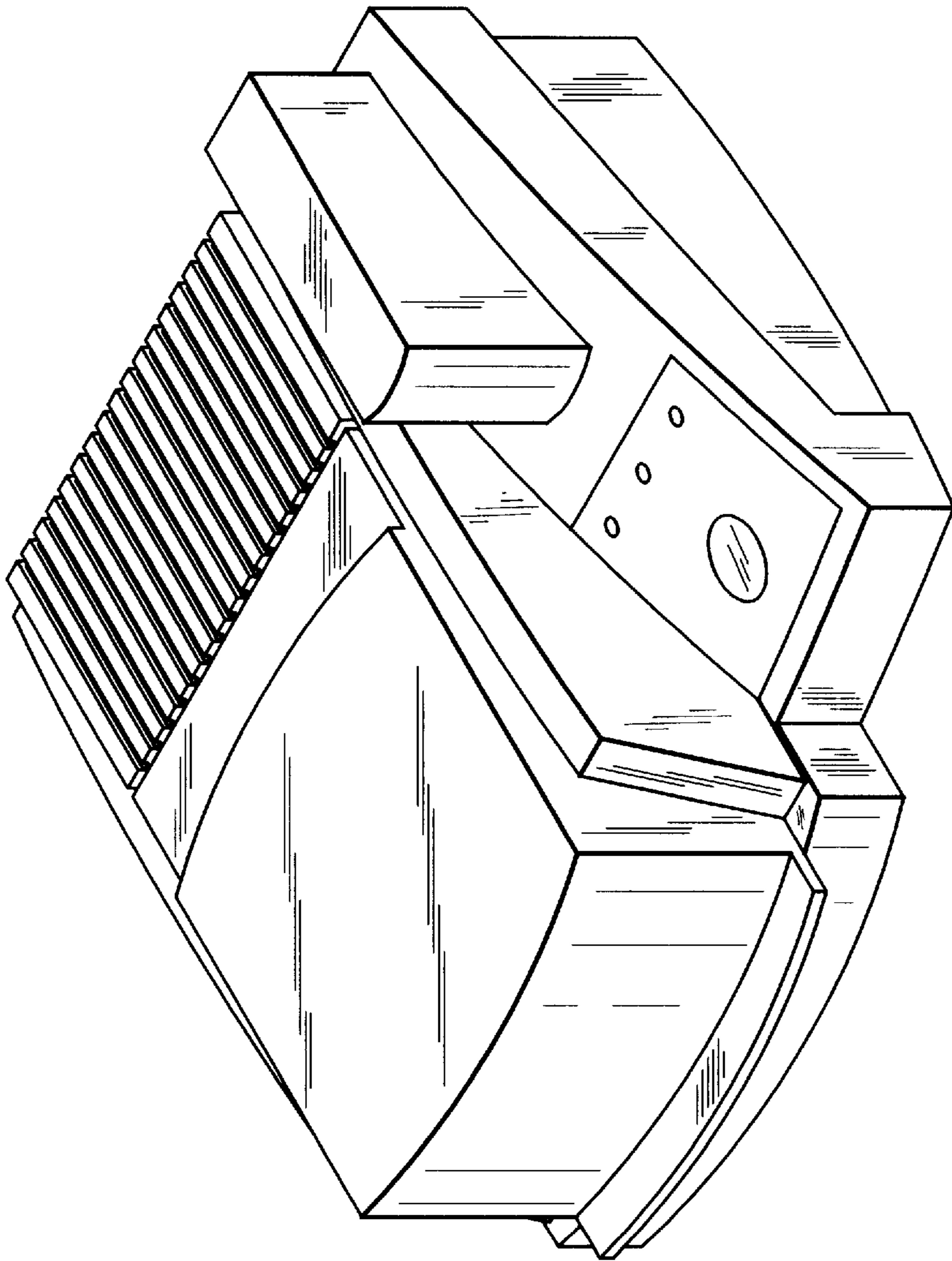


Fig. 1

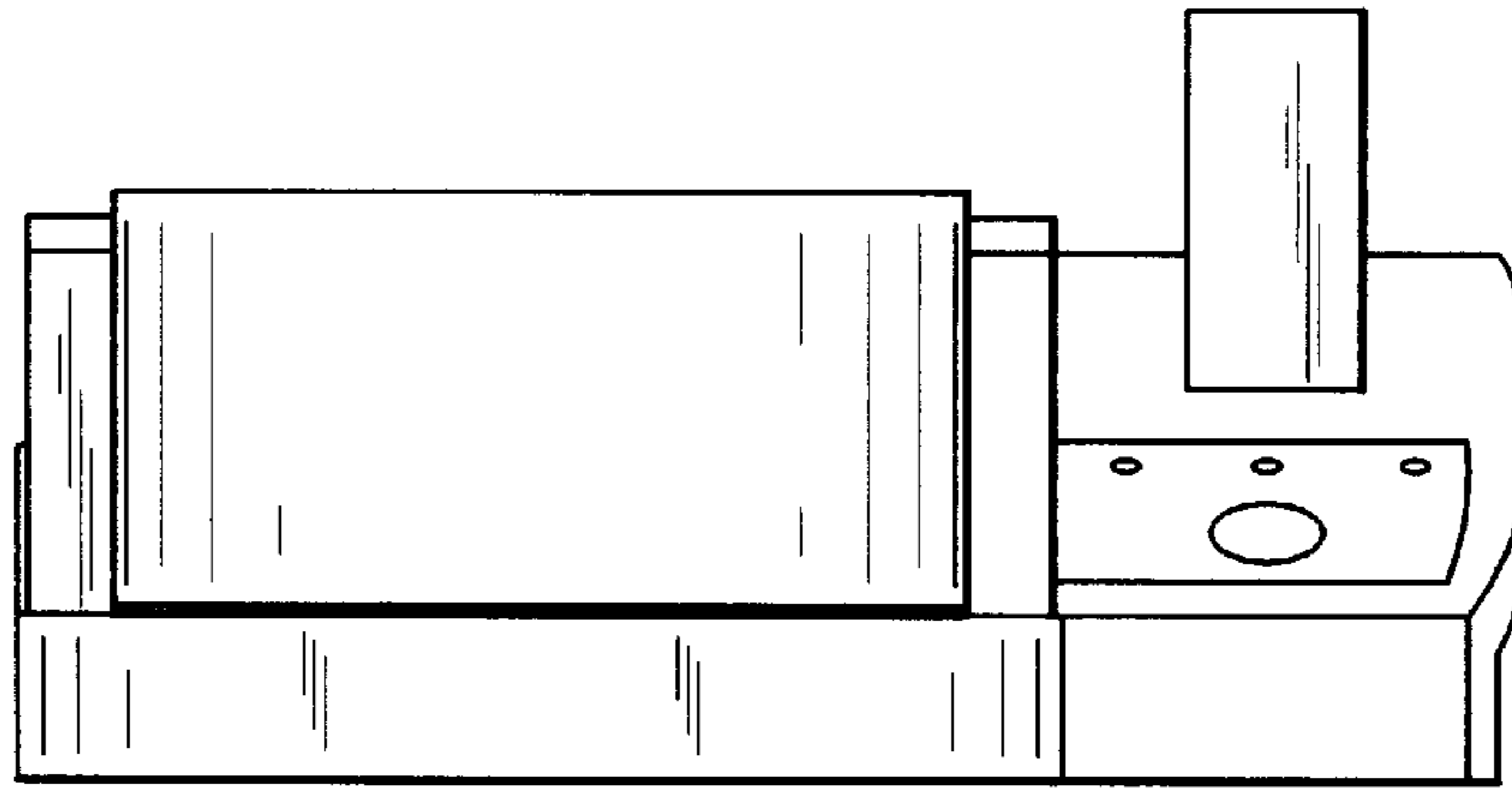


Fig. 2

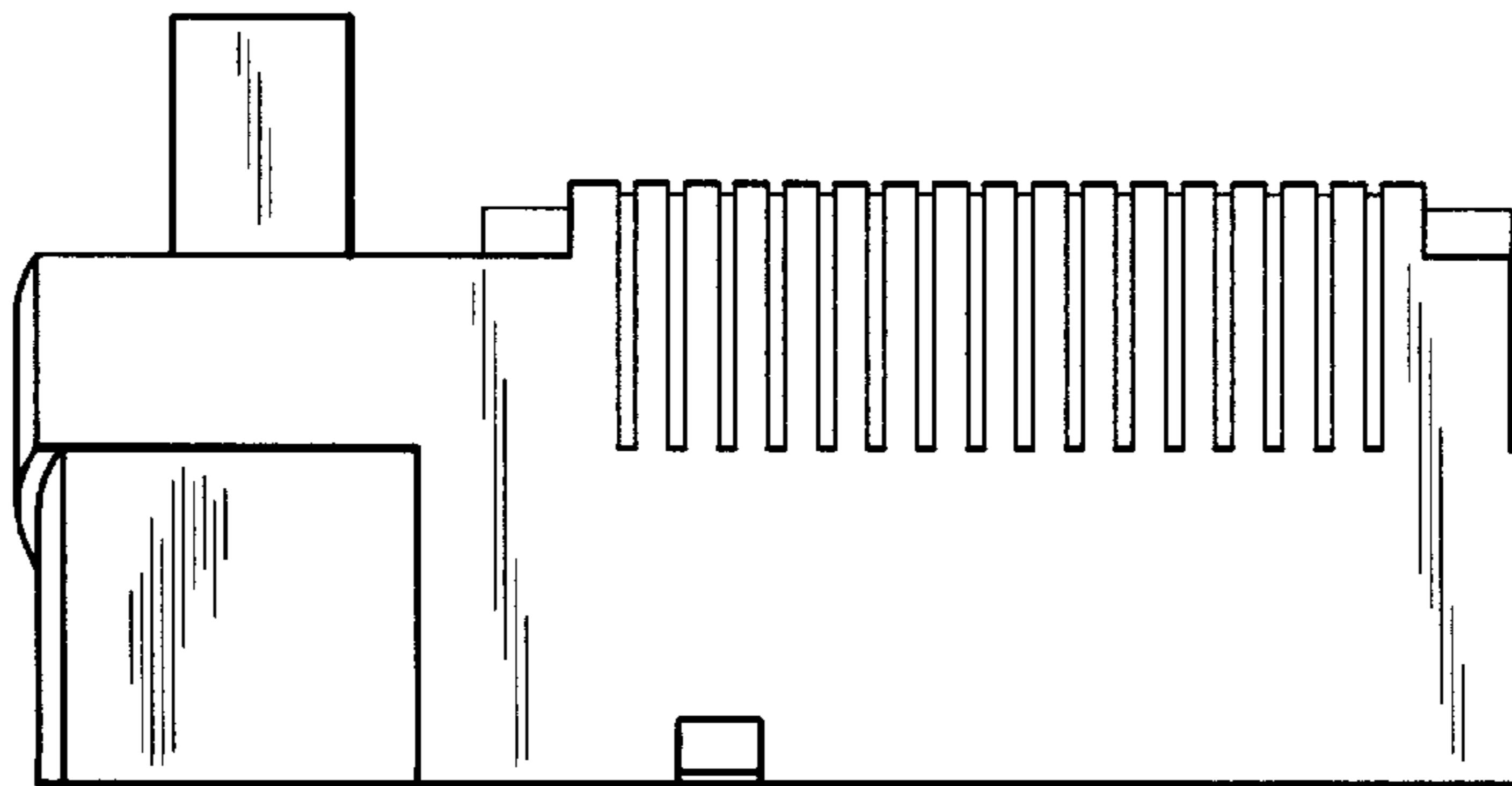


Fig. 3

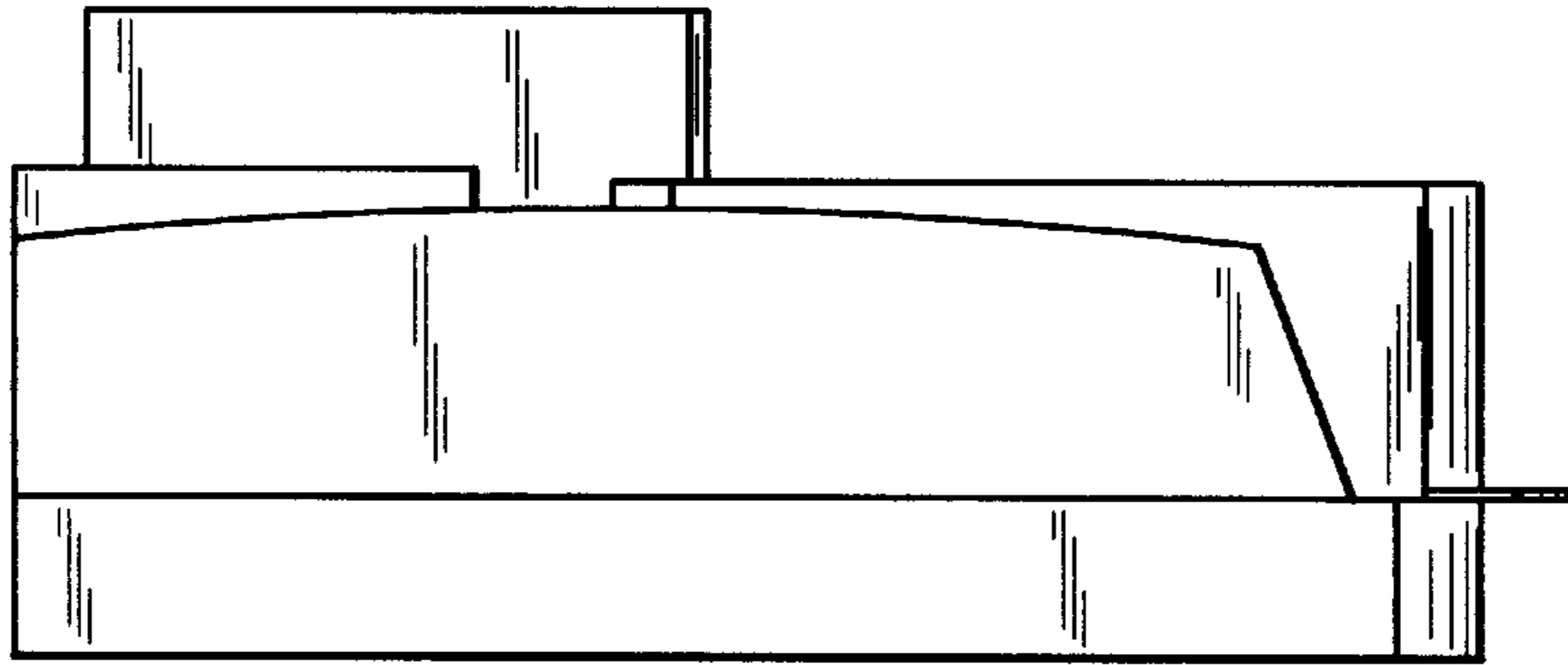


Fig. 4

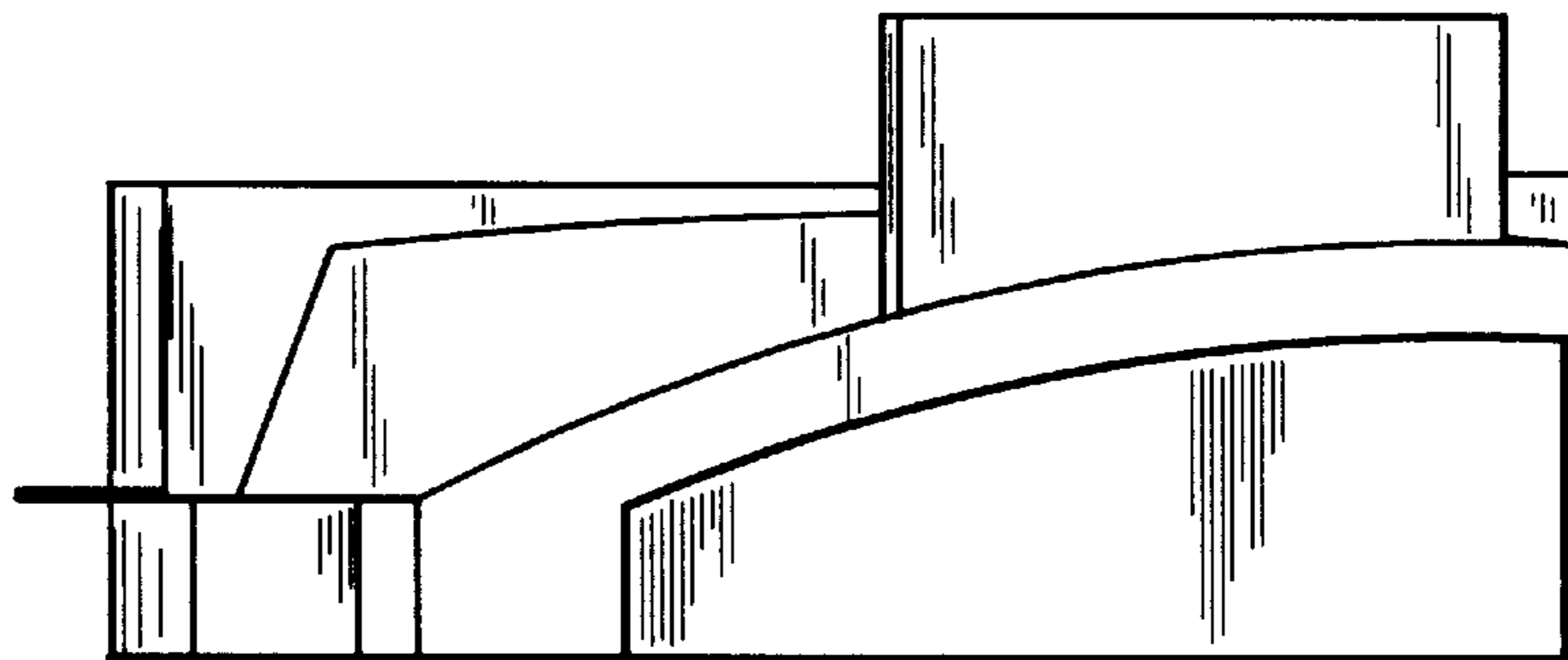


Fig. 5

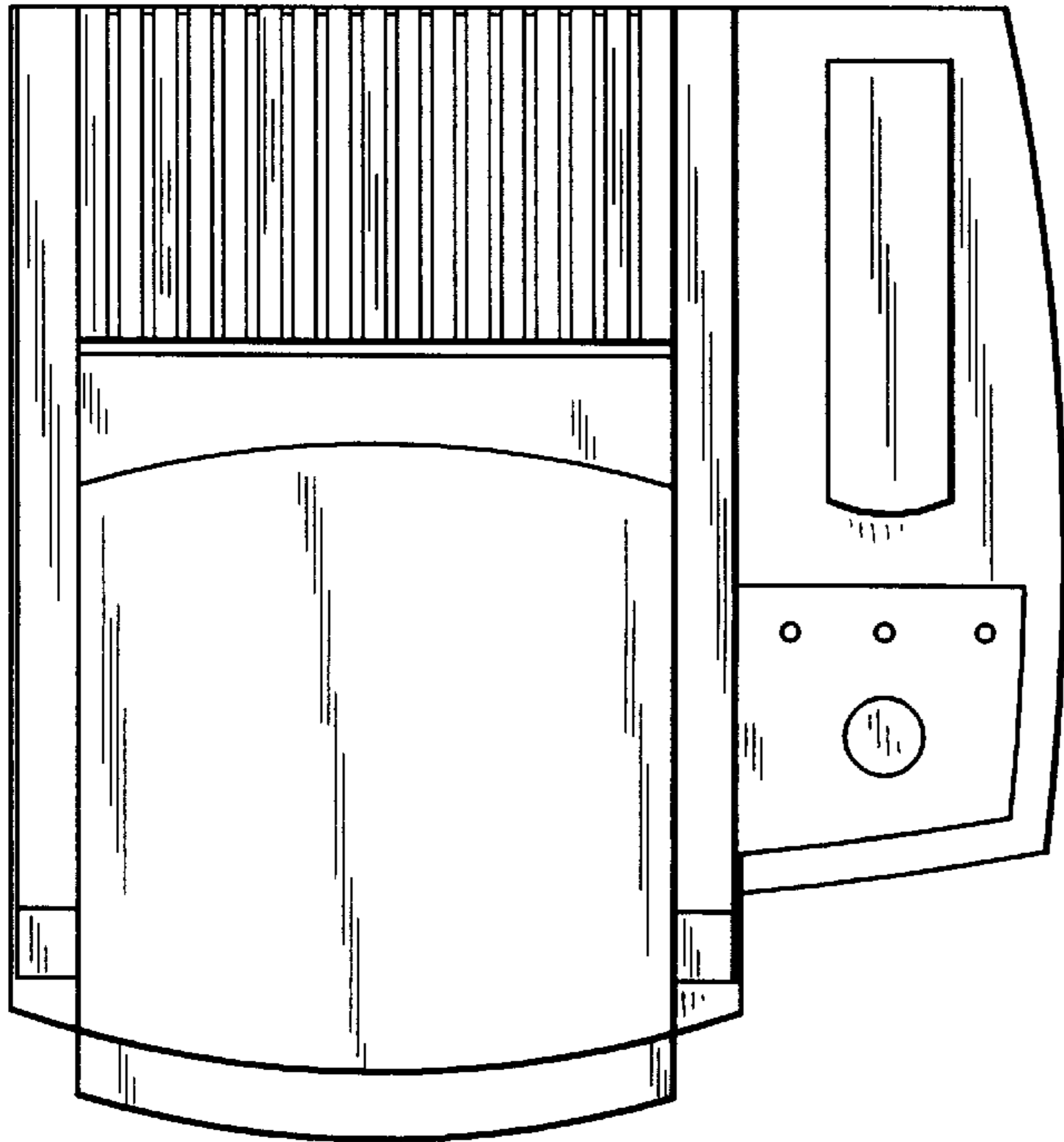


Fig. 6

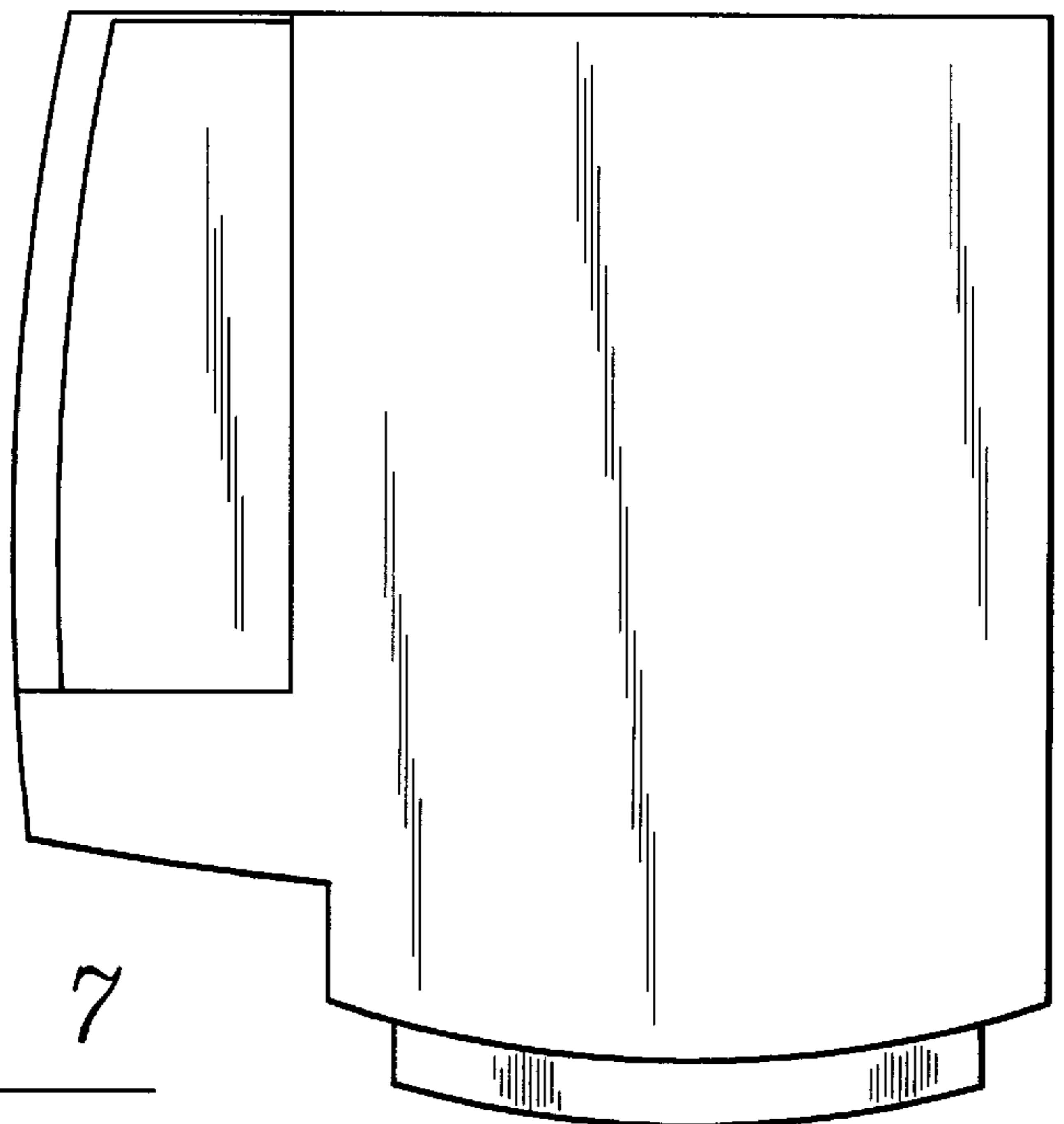


Fig. 7