



US00D398633S

United States Patent [19]

Hashizume et al.

[11] Patent Number: **Des. 398,633**

[45] Date of Patent: ****Sep. 22, 1998**

[54] **DEVELOPER UNIT FOR AN IMAGE FORMING APPARATUS**

[75] Inventors: **Masahiro Hashizume; Hisahiro Kato; Akinobu Nakahata**, all of Osaka, Japan

[73] Assignee: **Mita Industrial Co., Ltd.**, Osaka, Japan

[**] Term: **14 Years**

[21] Appl. No.: **70,297**

[22] Filed: **May 5, 1997**

[30] **Foreign Application Priority Data**

Nov. 15, 1996 [JP] Japan 8-34809

[51] **LOC (6) Cl.** **16-03**

[52] **U.S. Cl.** **D18/40**

[58] **Field of Search** D18/36, 40, 43; 399/12, 13, 24, 25, 27, 31, 61, 99, 106, 119, 130, 222, 252, 262; 222/DIG. 1

[56] **References Cited**

U.S. PATENT DOCUMENTS

D. 303,543 9/1989 Seki D18/36

D. 368,112	3/1996	Komaki	D18/43
4,839,691	6/1989	Tagawa et al.	399/12
4,912,563	3/1990	Narita	D18/39 X
4,922,302	5/1990	Hill et al.	D18/43 X
4,949,399	8/1990	Williams et al.	D18/43 X

Primary Examiner—Caron D. Veynar
Attorney, Agent, or Firm—Beveridge, DeGrandi, Weilacher & Young, L.L.P.

[57] **CLAIM**

We claim the ornamental design of a developer unit for an image forming apparatus, as shown.

DESCRIPTION

FIG. 1 is a front elevation view of a developer unit for an image forming apparatus;
FIG. 2 is a rear elevation view thereof;
FIG. 3 is a top plan view thereof;
FIG. 4 is a bottom plan view thereof;
FIG. 5 is a left side view thereof;
FIG. 6 is a right side view thereof; and,
FIG. 7 is a perspective view thereof.

1 Claim, 3 Drawing Sheets

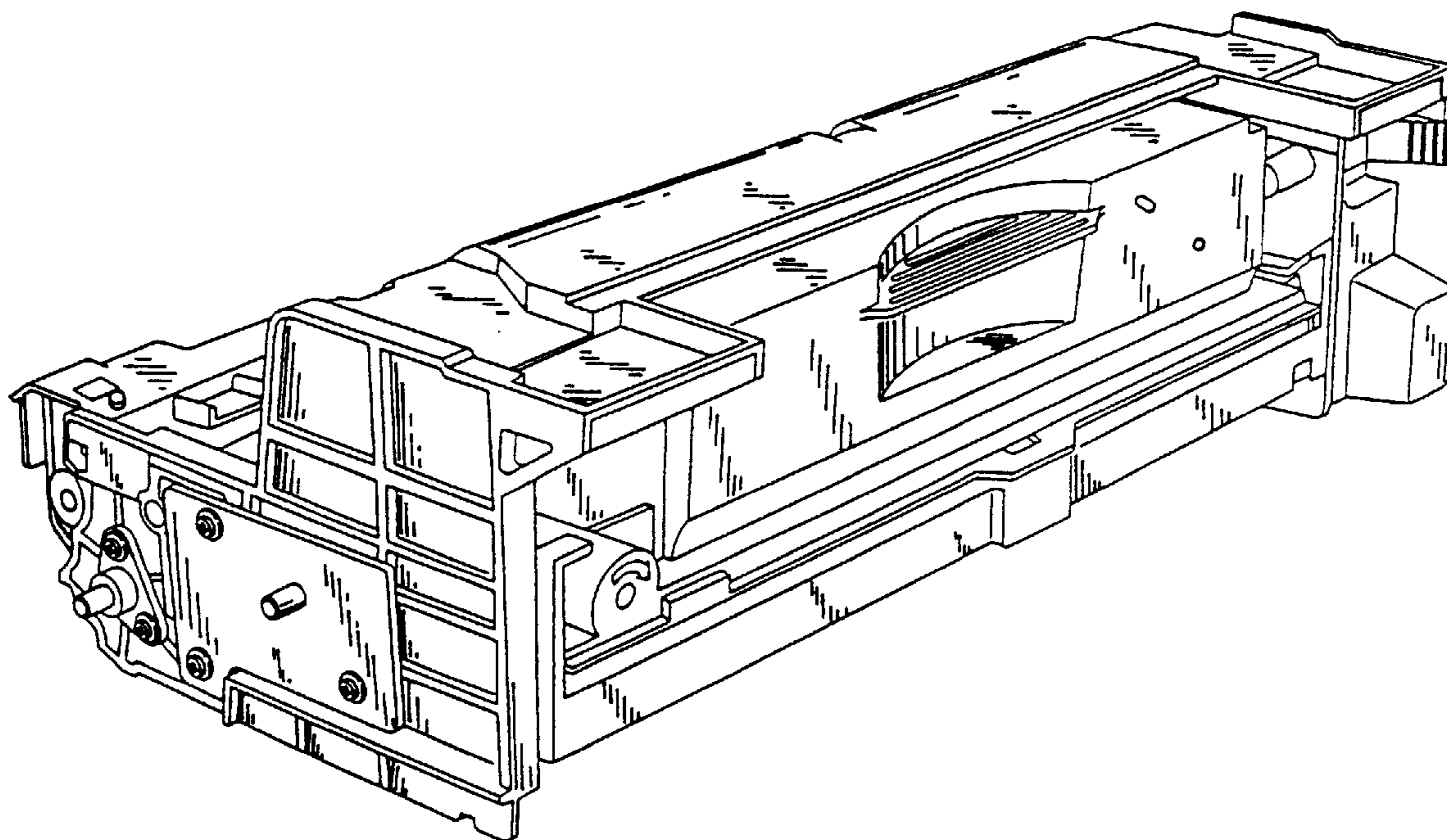


FIG. 1

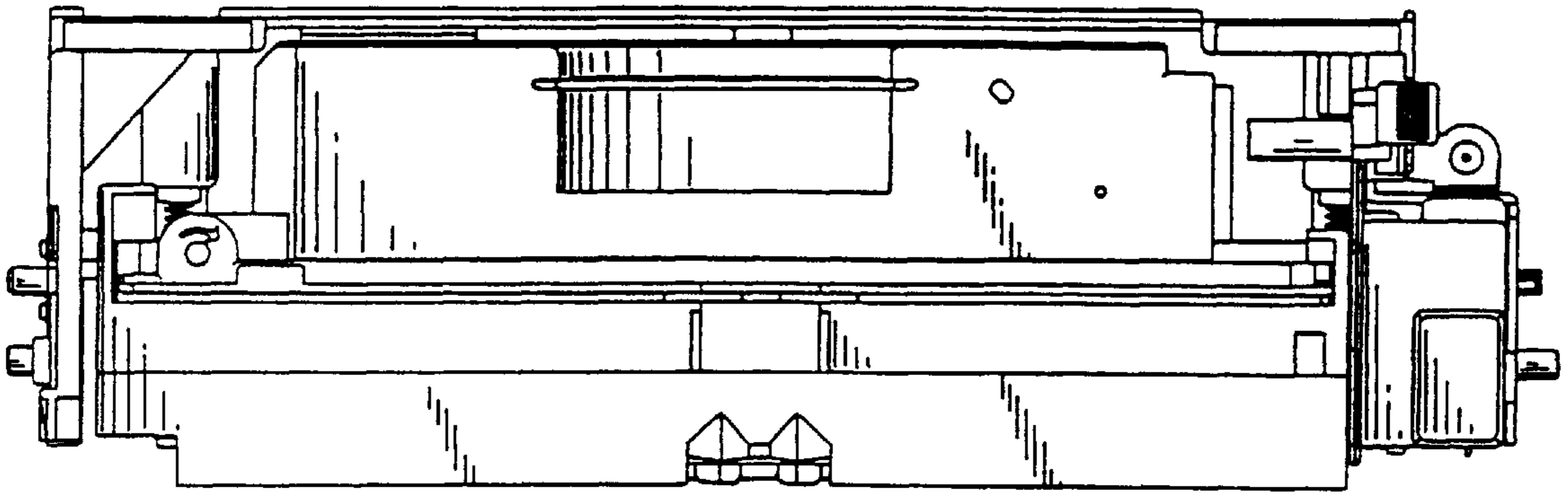


FIG. 2

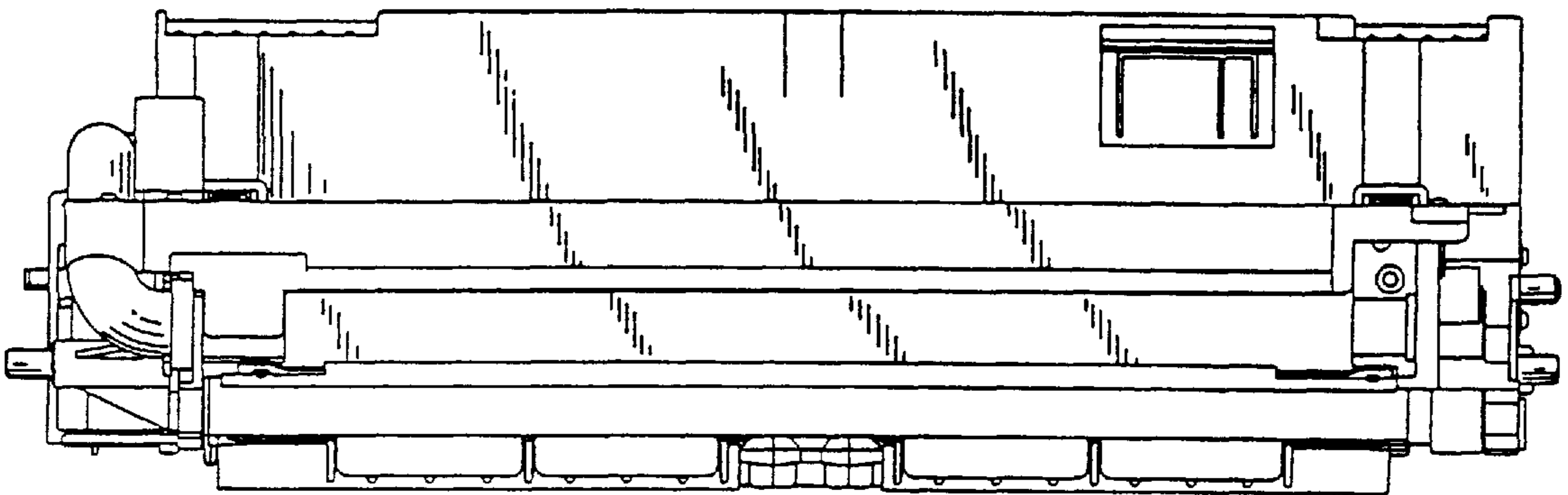


FIG. 3

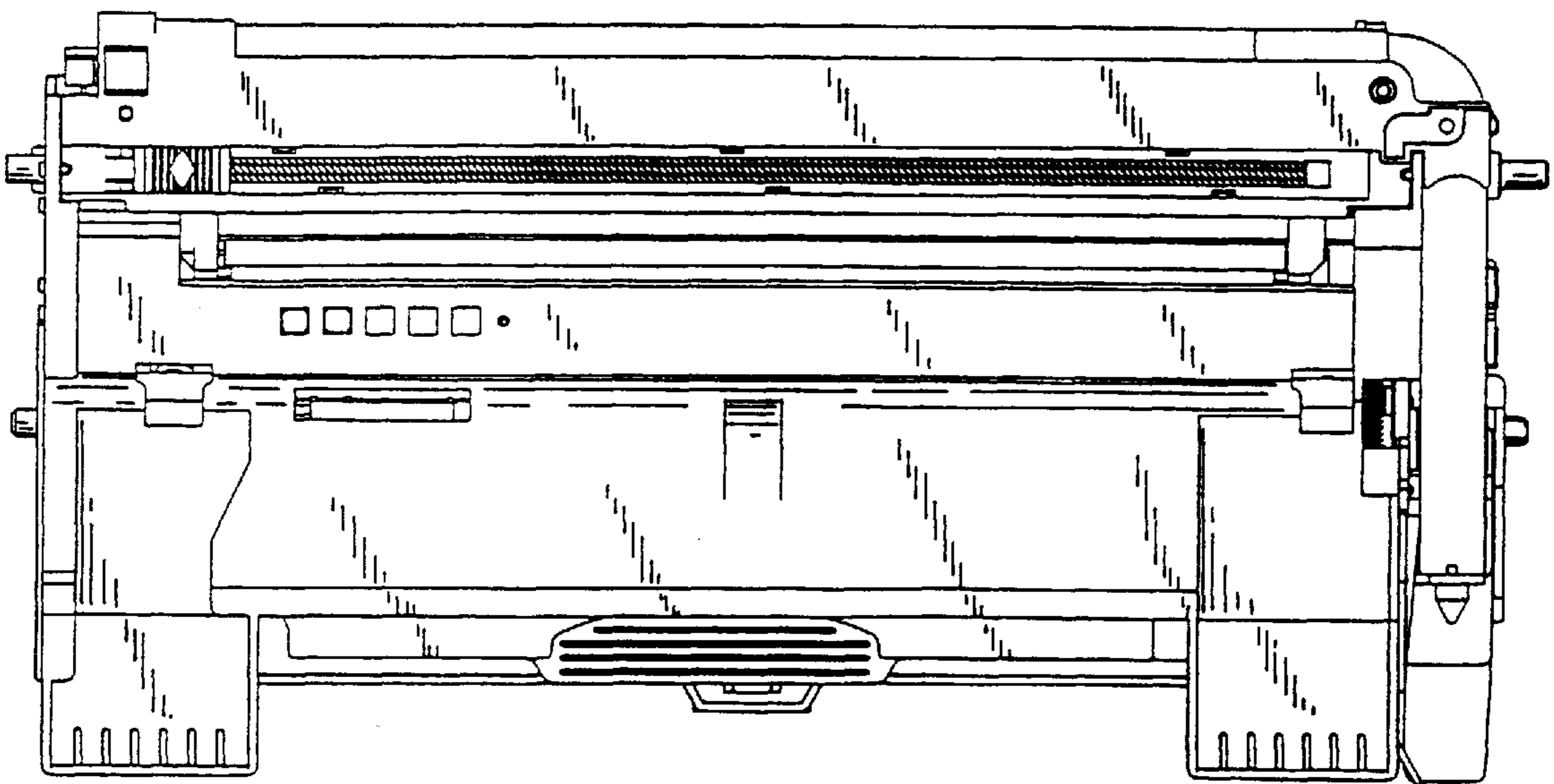


FIG. 4

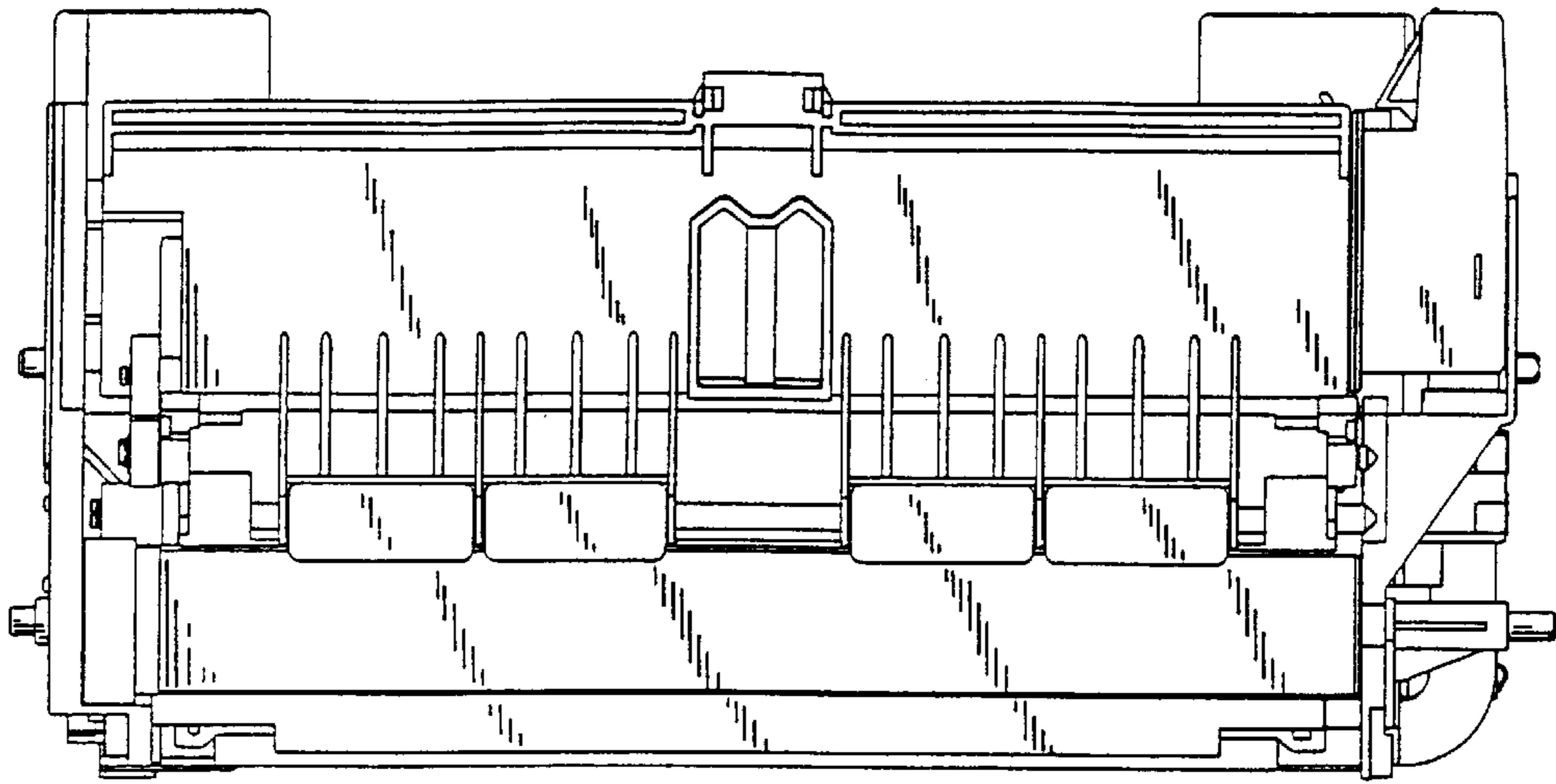


FIG. 5

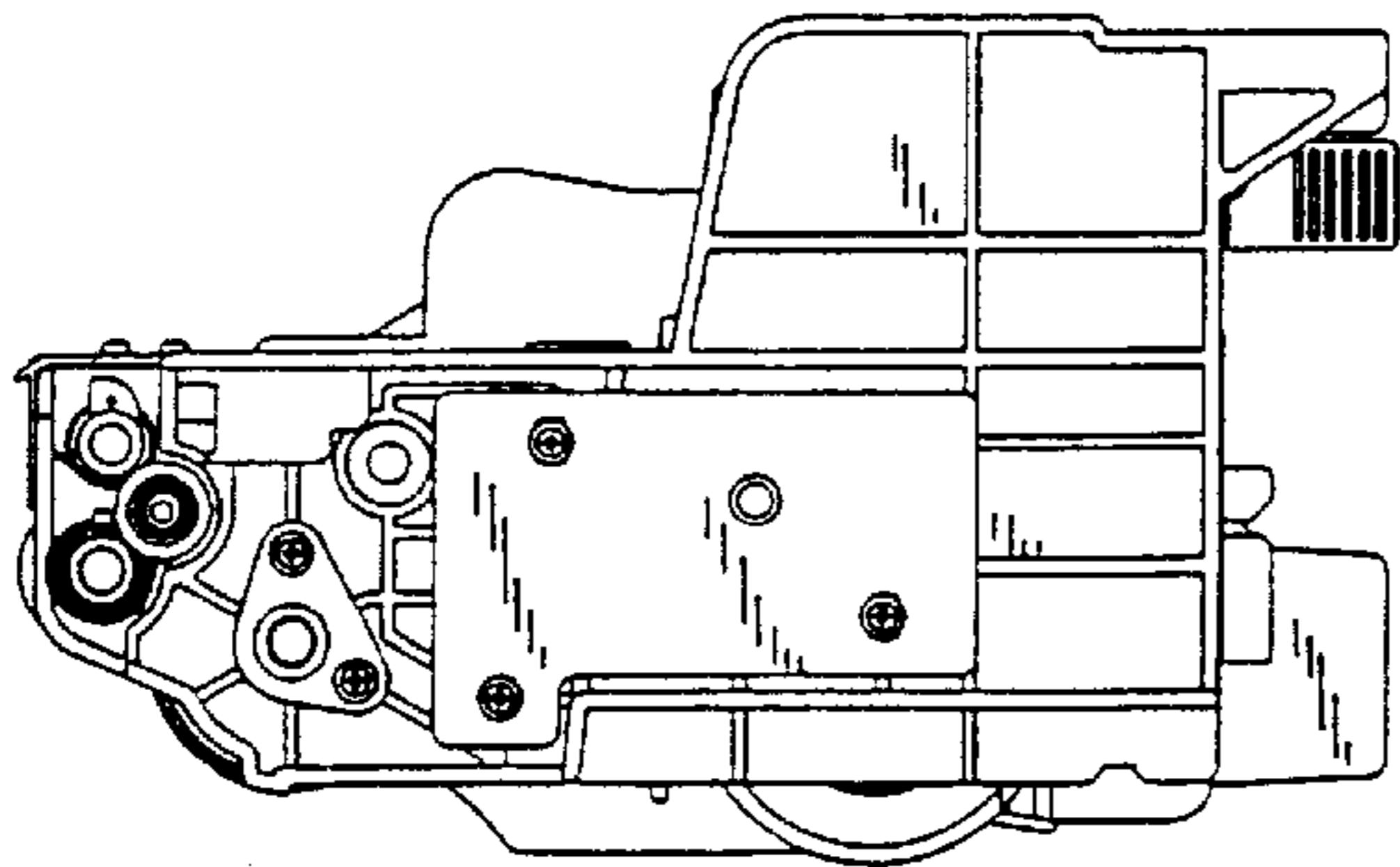


FIG. 6

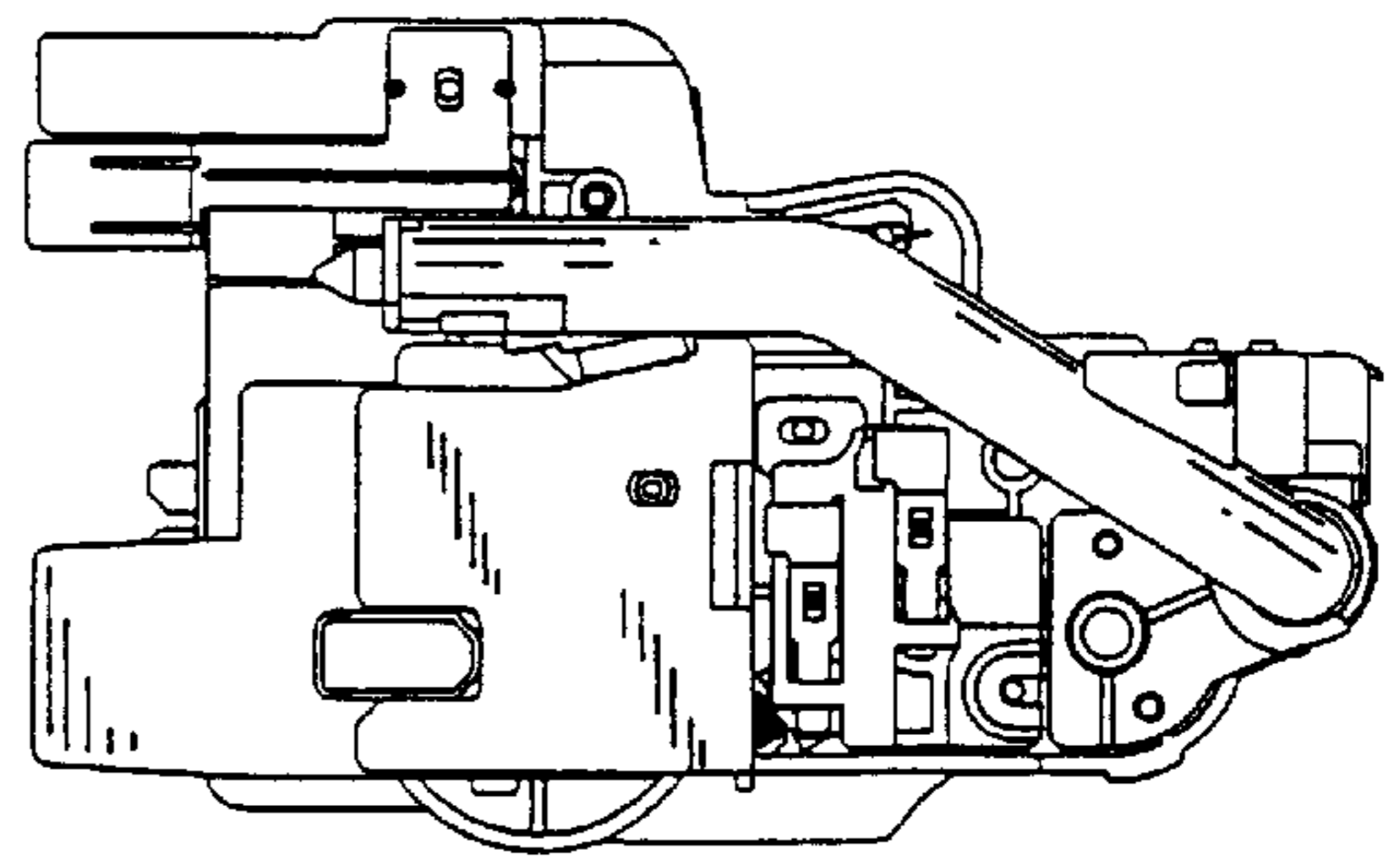


FIG. 7

