



US00D398632S

United States Patent [19]

Dodge et al.

[11] **Patent Number: Des. 398,632**

[45] **Date of Patent: **Sep. 22, 1998**

[54] **COMBINED INK-JET COPIER, PRINTER, SCANNER**

D. 334,205 3/1993 Ratzlaff D18/36 X
D. 354,305 1/1995 Suzuki D18/36 X
D. 383,744 9/1997 Matsushima et al. D14/118

[75] Inventors: **Charles W. Dodge**, Escondido; **George F. Nasworthy, Jr.**, Leucadia; **Heinz Waschhauser**, Escondido, all of Calif.; **Iulius Lucaci**, Wheeling, Ill.

Primary Examiner—Caron D. Veynar
Attorney, Agent, or Firm—Manuel Quiogue

[73] Assignee: **Hewlett-Packard Company**, Palo Alto, Calif.

[57] CLAIM

The ornamental design for a combined ink-jet copier, printer, scanner, as shown.

[**] Term: **14 Years**

DESCRIPTION

[21] Appl. No.: **67,157**

FIG. 1 is a perspective view illustrating our new design; FIG. 2 is a front elevational view; FIG. 3 is a rear elevational view; FIG. 4 is a right side elevational view; FIG. 5 is a left side elevational view; FIG. 6 is a top plan view; and, FIG. 7 is a bottom plan view.

[22] Filed: **Mar. 4, 1997**

[51] **LOC (6) Cl.** **16-03**

[52] **U.S. Cl.** **D18/36; D18/55**

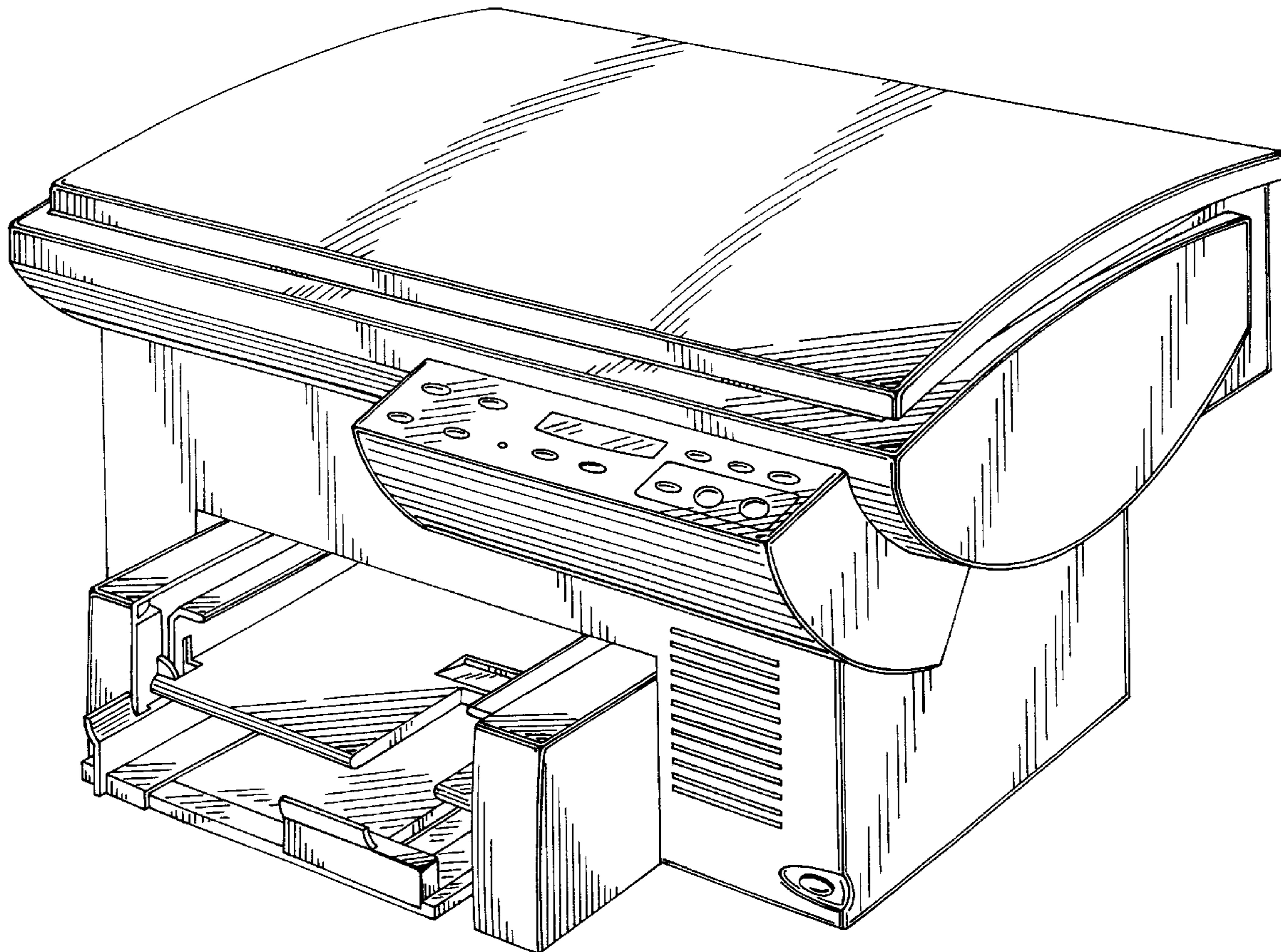
[58] **Field of Search** D18/36-39, 54, D18/55; D14/114, 116, 118; 399/1, 31, 75, 151; 355/81, 84, 133

[56] References Cited

U.S. PATENT DOCUMENTS

D. 331,069 11/1992 Hanasaki et al. D18/37 X

1 Claim, 4 Drawing Sheets



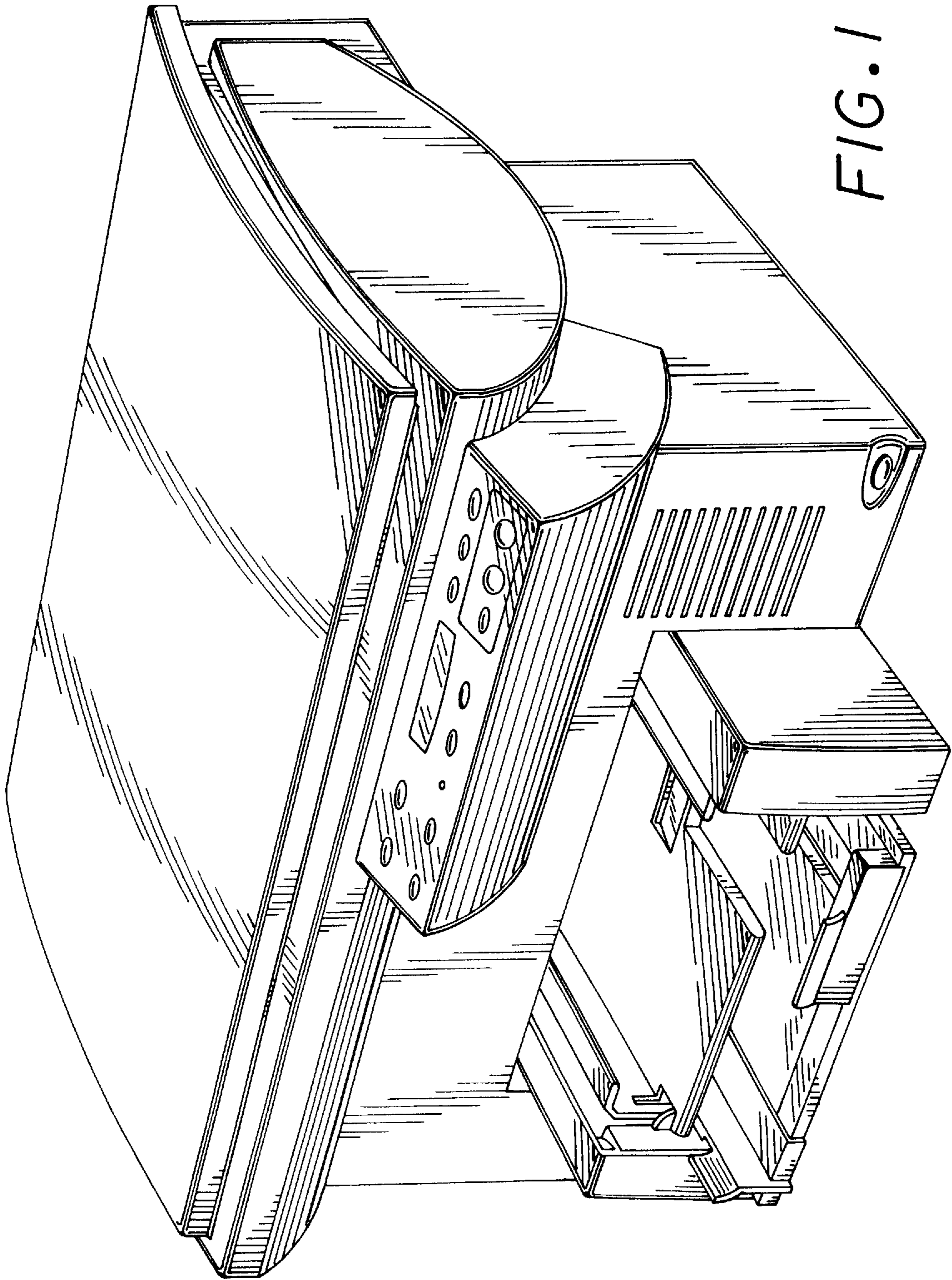


FIG. 1

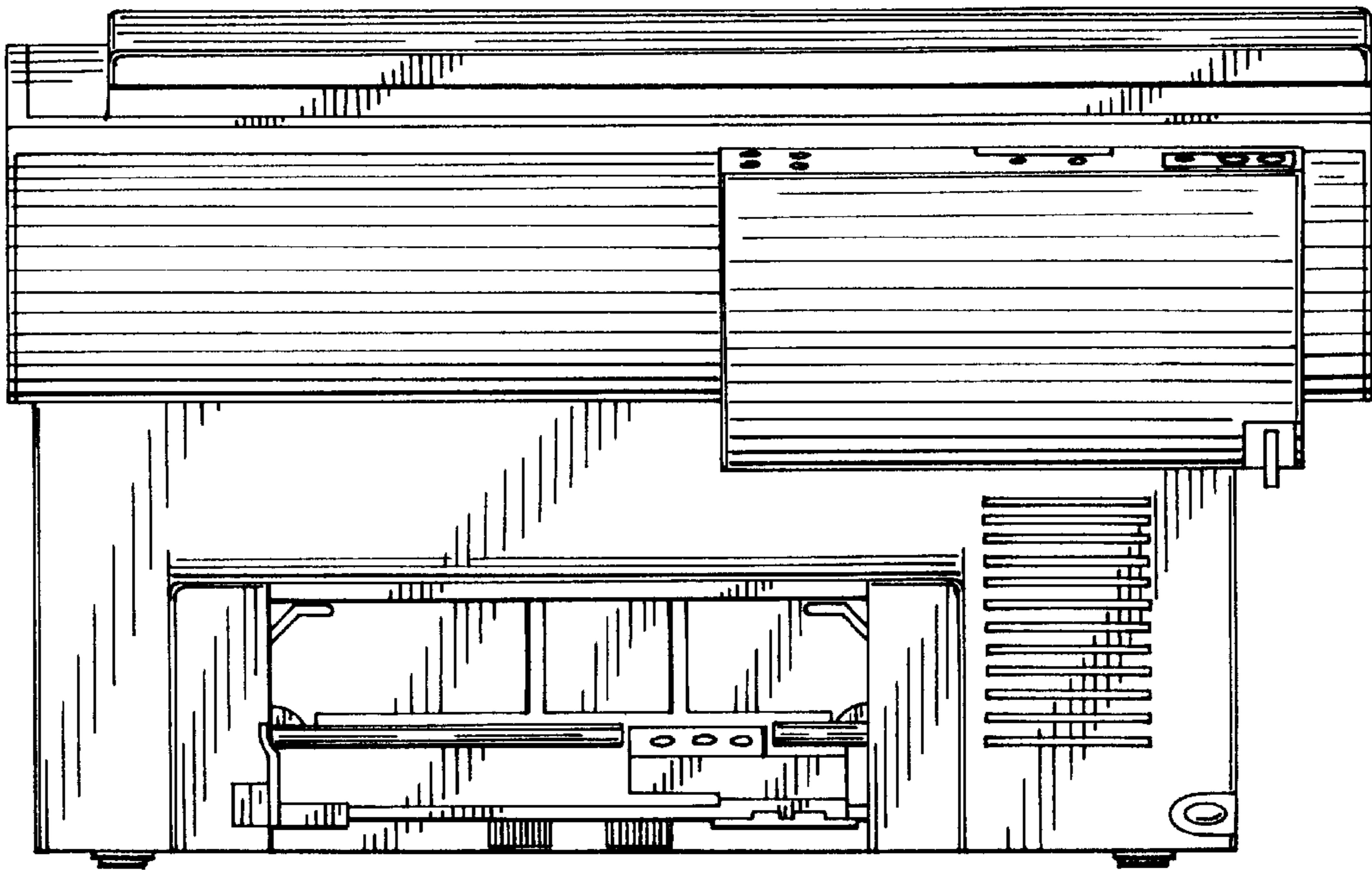


FIG. 2

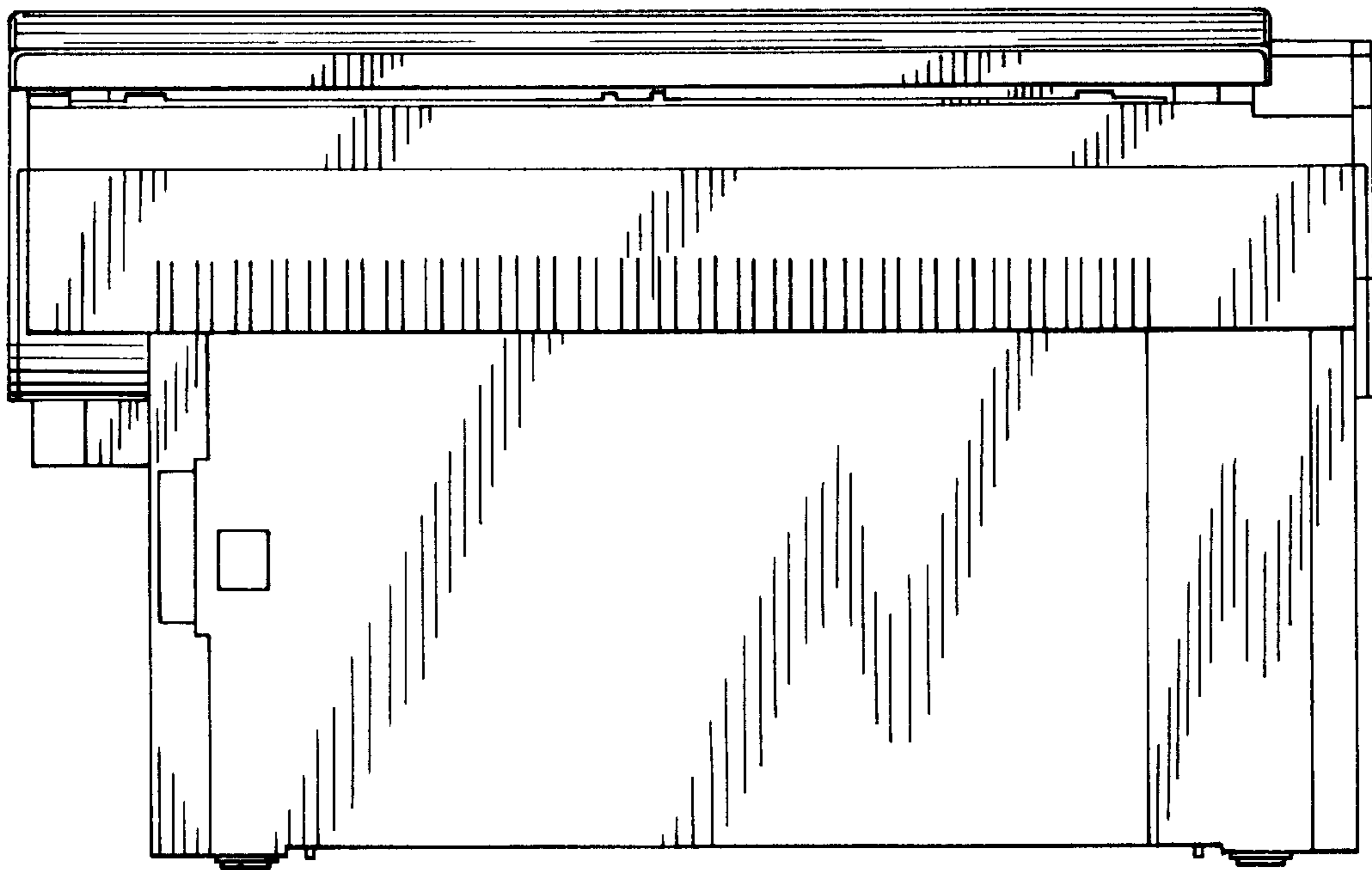


FIG. 3

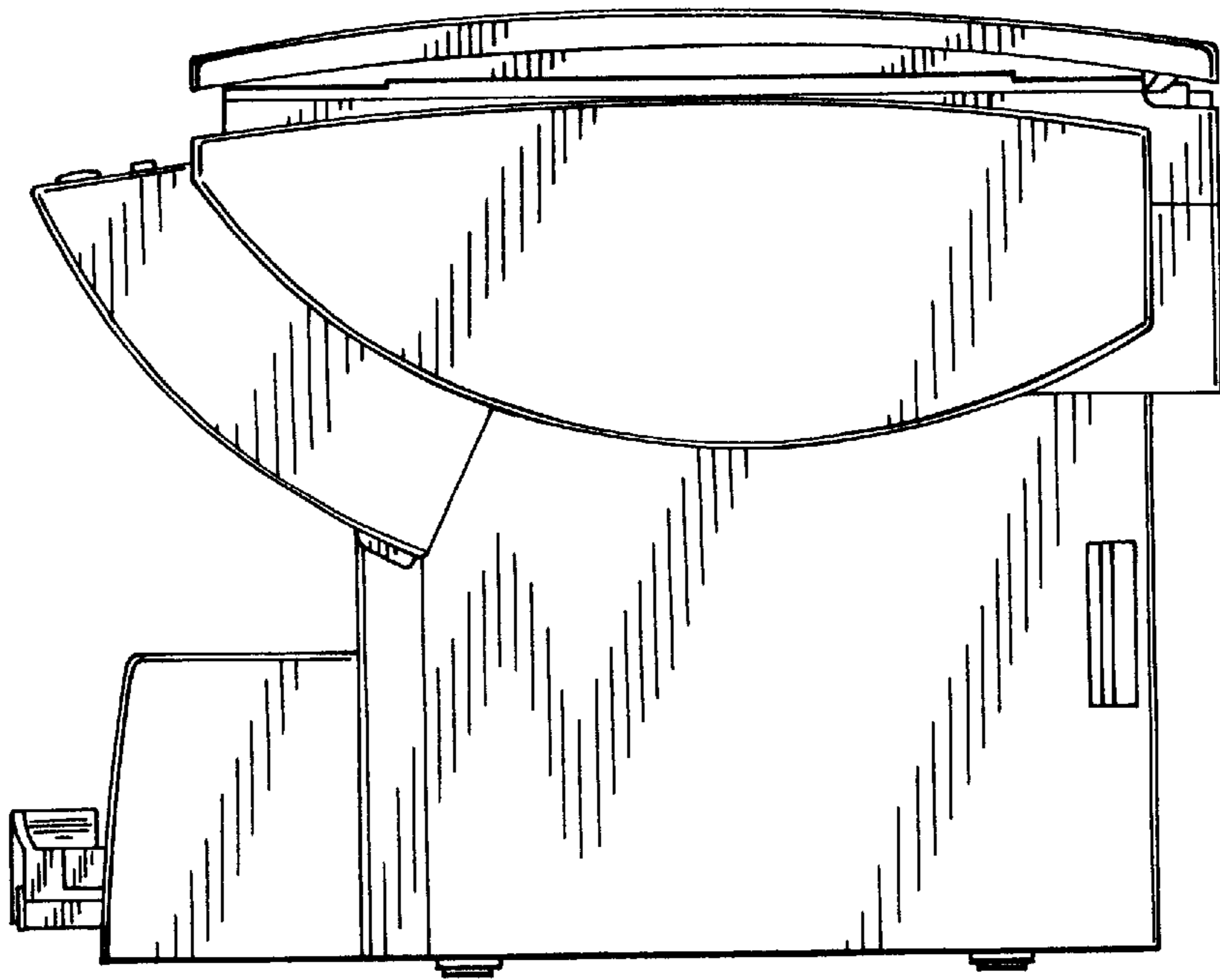


FIG. 4

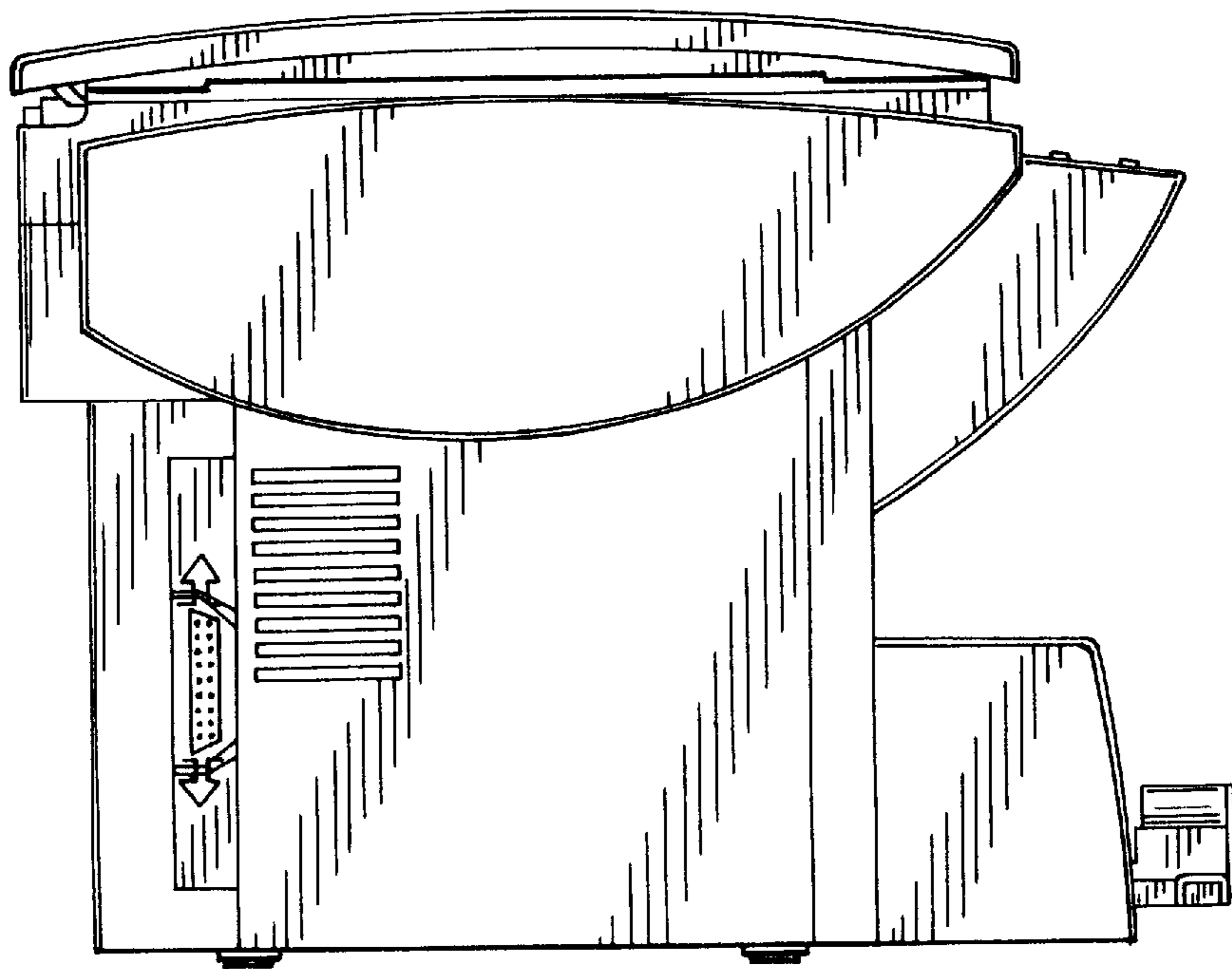


FIG. 5

FIG. 6

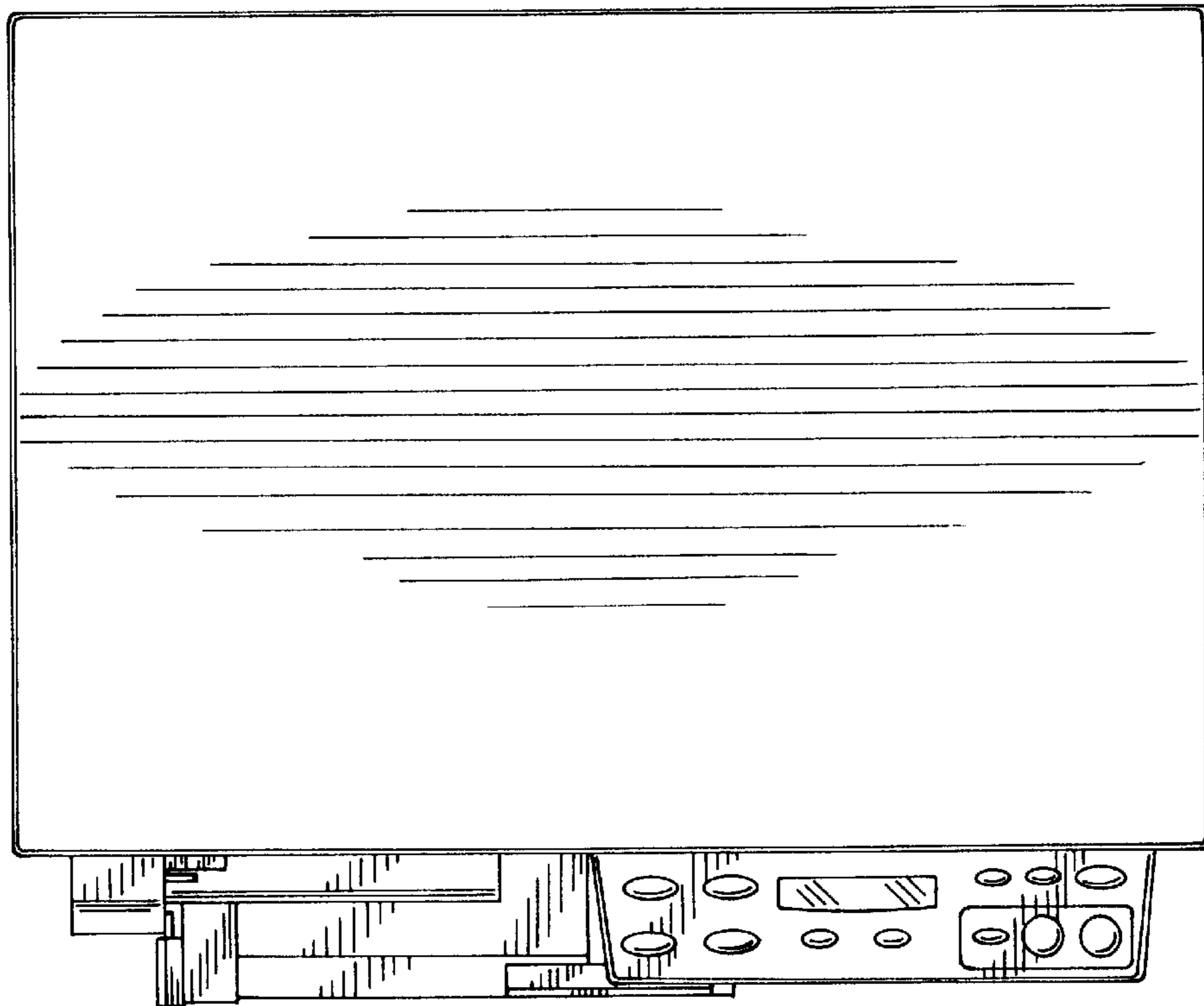


FIG. 7

