



US00D398622S

# United States Patent [19]

Saeki et al.

[11] Patent Number: **Des. 398,622**

[45] Date of Patent: **\*\*Sep. 22, 1998**

[54] VIDEO PROJECTOR

[75] Inventors: **Taisuke Saeki; Harumi Sakamoto; Kiyomi Usui**, all of Tochigi-ken, Japan

[73] Assignee: **Sharp Kabushiki Kaisha**, Osaka, Japan

[\*\*] Term: **14 Years**

[21] Appl. No.: **75,249**

[22] Filed: **Aug. 27, 1997**

[30] **Foreign Application Priority Data**

Feb. 27, 1997 [JP] Japan ..... 9-5849

[51] LOC (6) Cl. .... **16-02**

[52] U.S. Cl. .... **D16/231; D16/221**

[58] Field of Search ..... D16/200-205,  
D16/208, 213, 221, 225, 230, 231, 234;  
D21/110; 352/34, 242, 243; 353/115, 119,  
122

[56] **References Cited**

**U.S. PATENT DOCUMENTS**

- D. 211,211 5/1968 Steinbach et al. .... D16/234
- D. 343,850 2/1994 Saeki et al. .... D16/234
- D. 356,103 3/1995 Saeki et al. .... D16/221
- D. 364,416 11/1995 Saeki et al. .... D16/231
- D. 365,587 12/1995 Saeki et al. .... D16/234

- D. 371,148 6/1996 Kobayashi ..... D16/230
- D. 374,024 9/1996 Onoda ..... D16/221
- D. 379,190 5/1997 Takami et al. .... D16/234
- D. 388,111 12/1997 Iida ..... D16/231

**OTHER PUBLICATIONS**

Sharp Catalog, p. 5, Aug. 1993.

*Primary Examiner*—Ted Shooman

*Assistant Examiner*—Adir Aronovich

*Attorney, Agent, or Firm*—Nixon & Vanderhye

[57] **CLAIM**

The ornamental design for a video projector, as shown and described.

**DESCRIPTION**

FIG. 1 is a top, front and right side perspective view of a video projector according to our design with its handle in an extended position;

FIG. 2 is a front elevational view thereof with the handle in a retracted position;

FIG. 3 is a top plan view thereof;

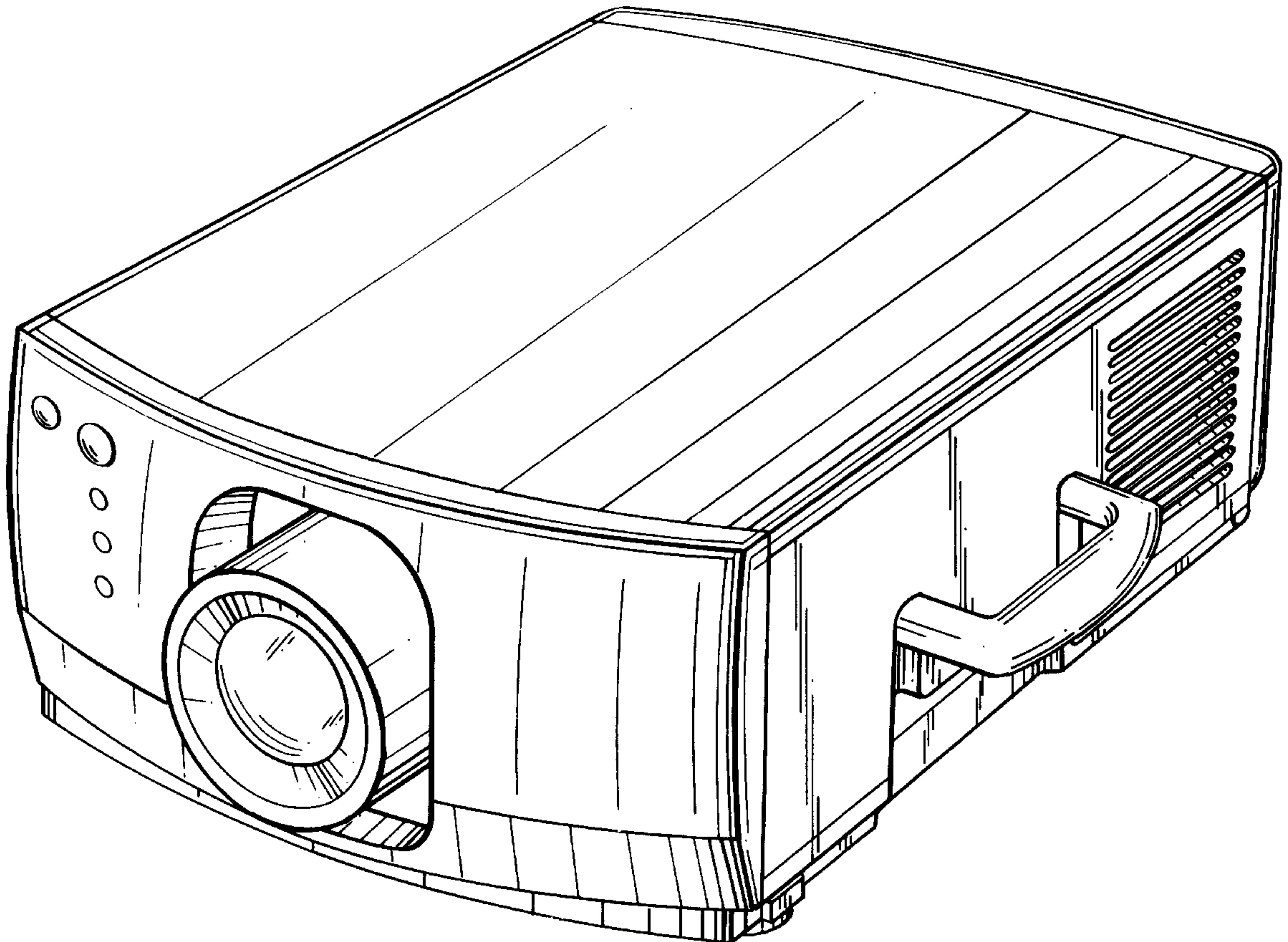
FIG. 4 is a right side elevational view thereof;

FIG. 5 is a left side elevational view thereof;

FIG. 6 is a rear elevational view thereof; and,

FIG. 7 is a bottom plan view thereof.

**1 Claim, 4 Drawing Sheets**



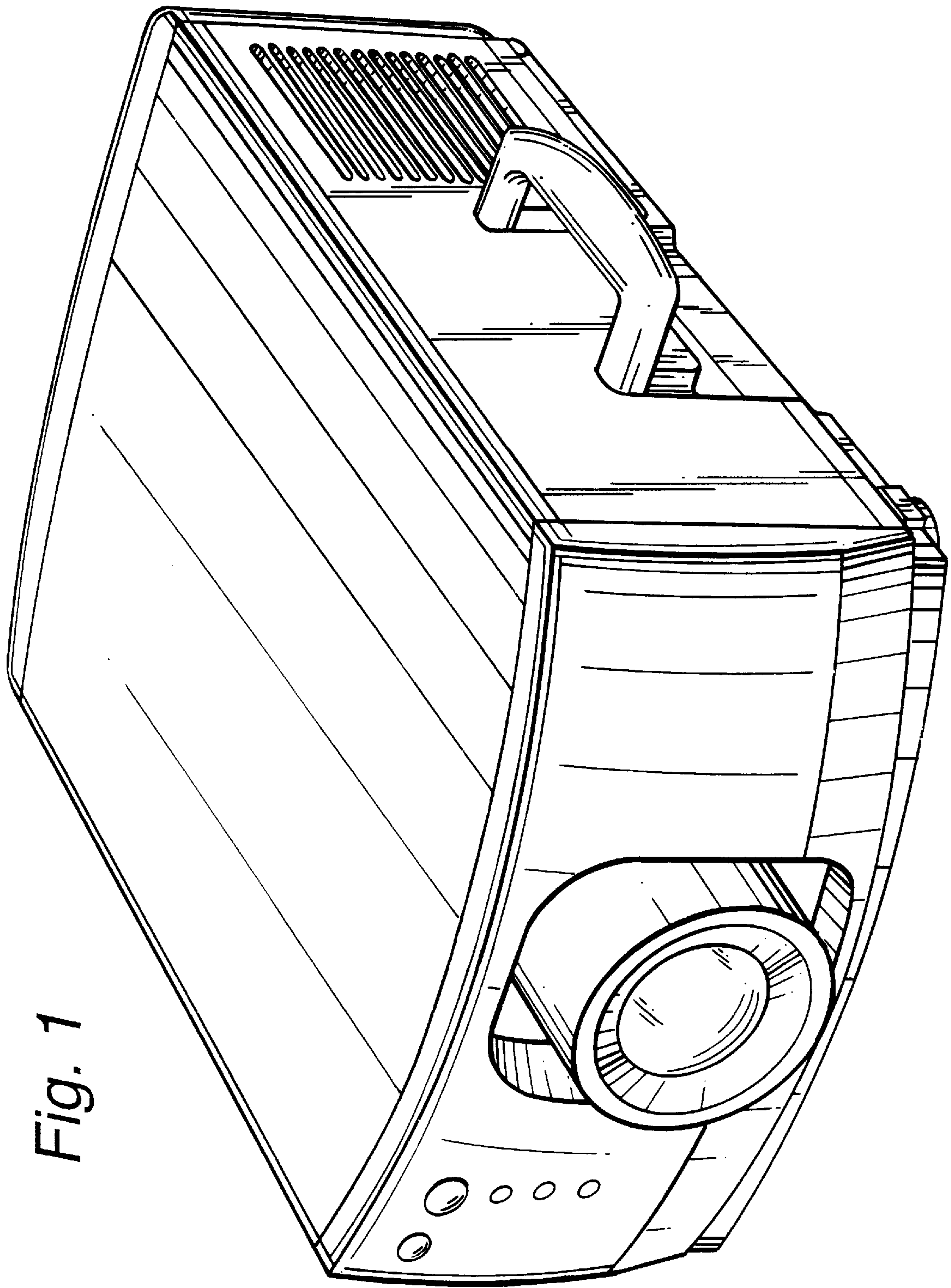
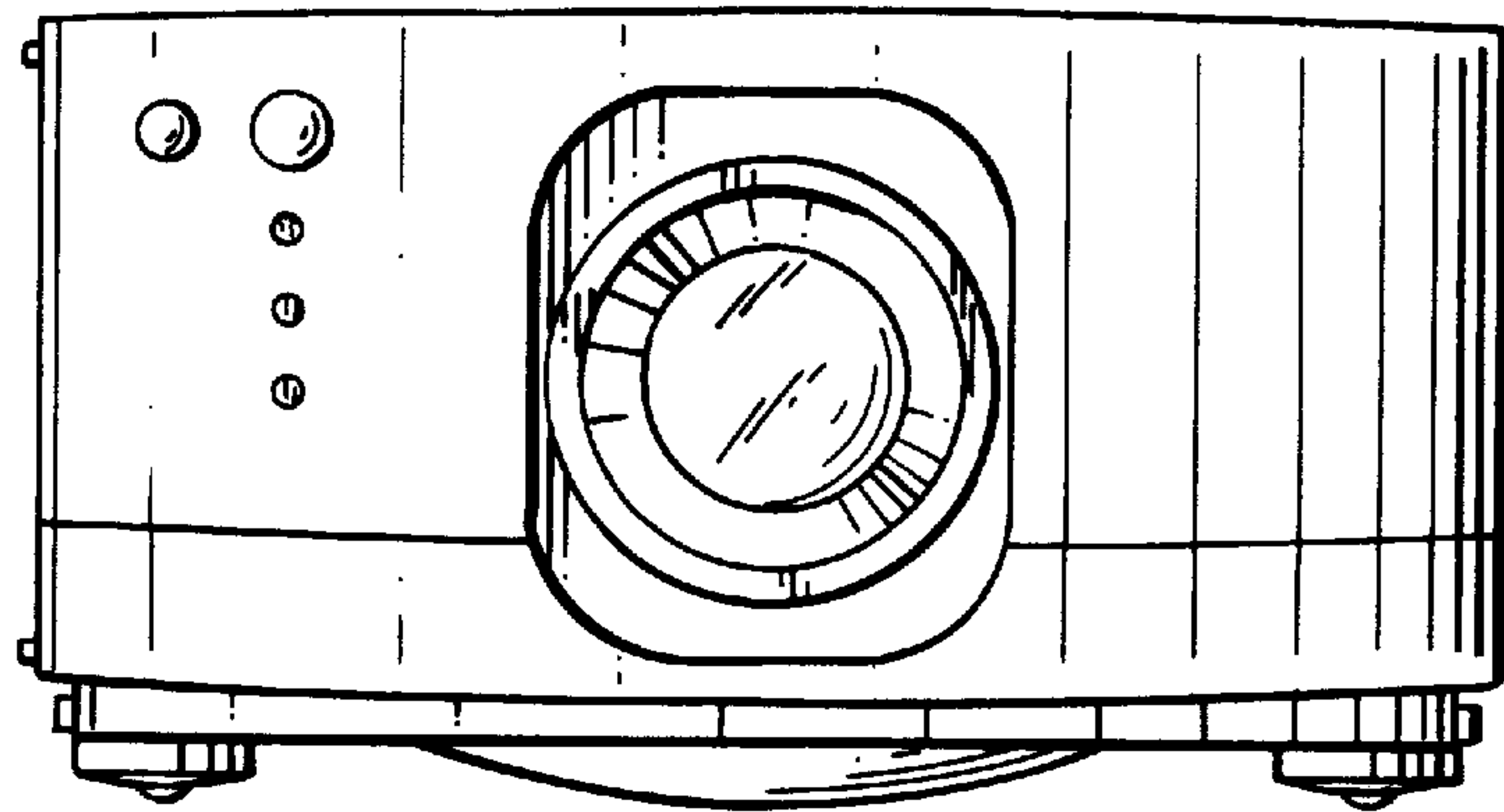
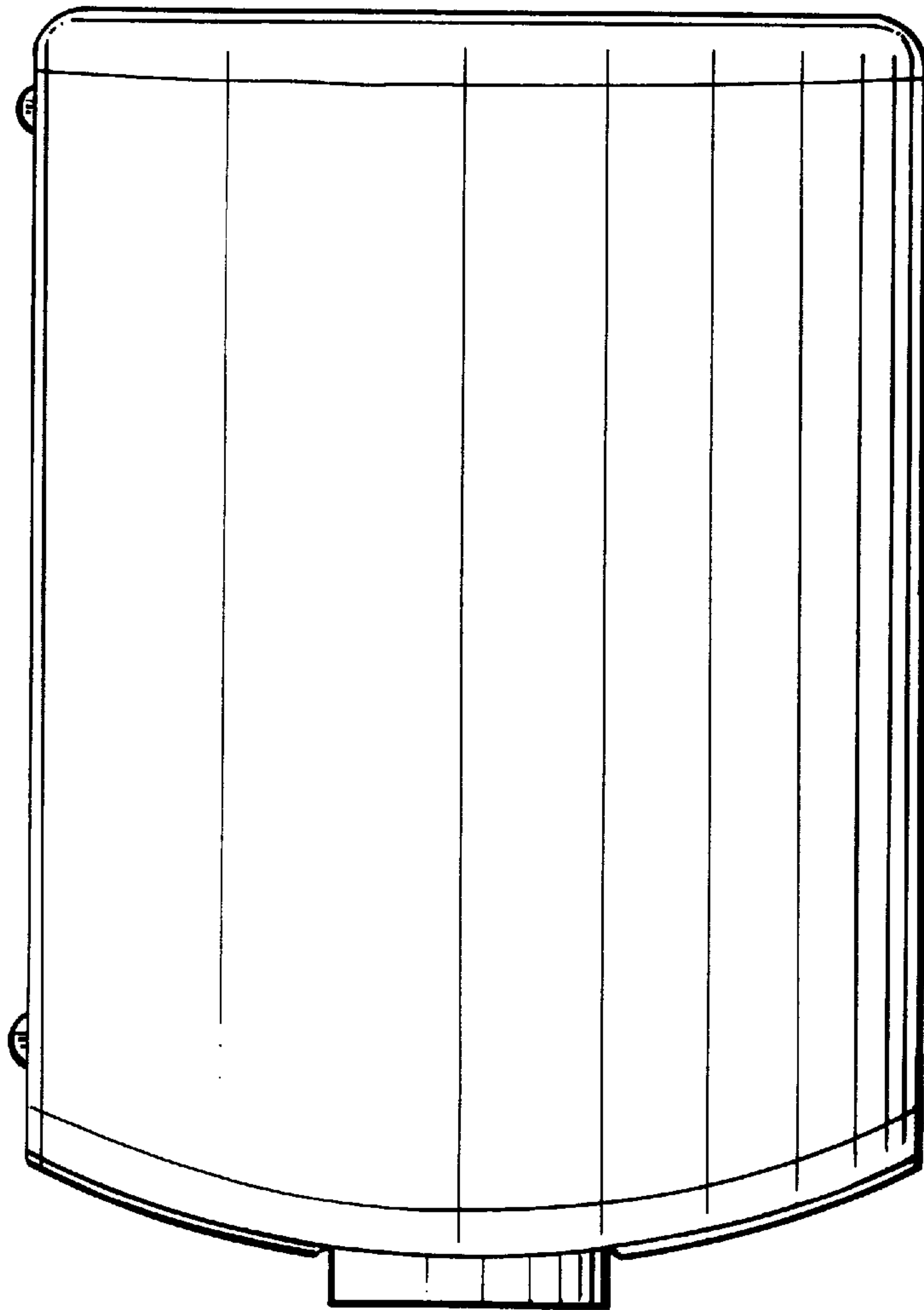


Fig. 1

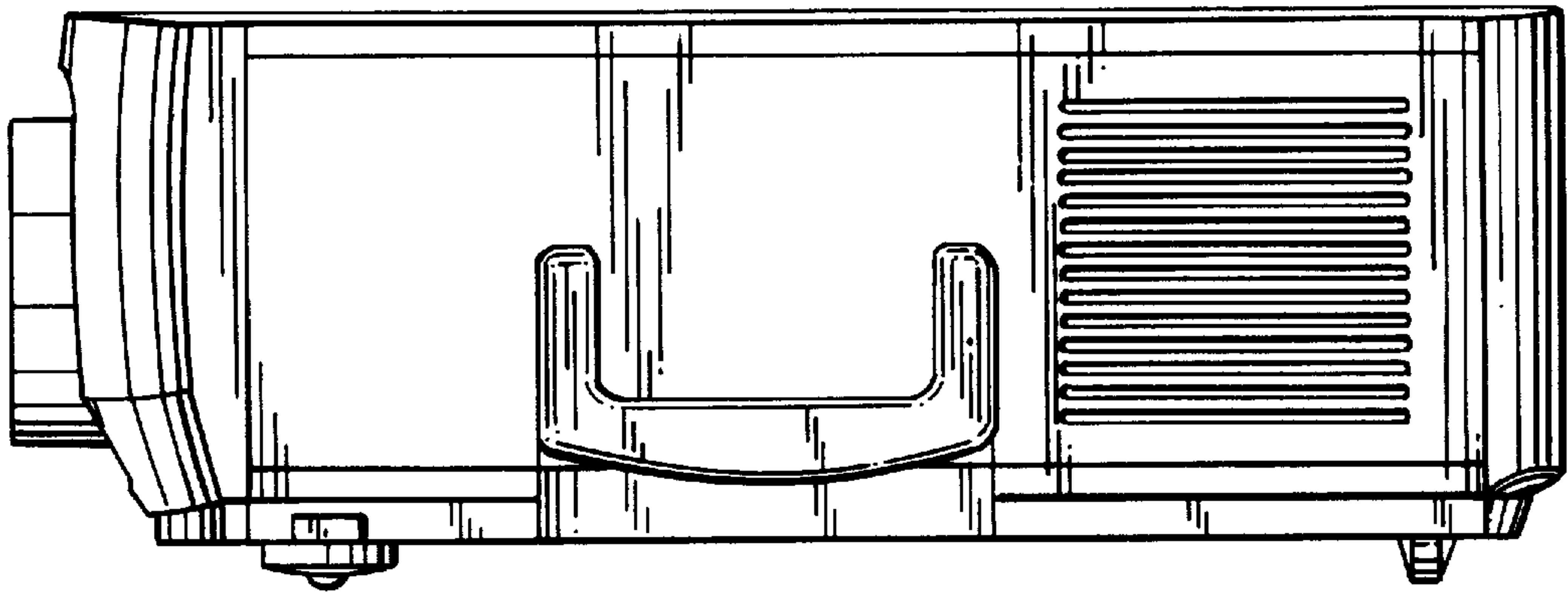
*Fig. 2*



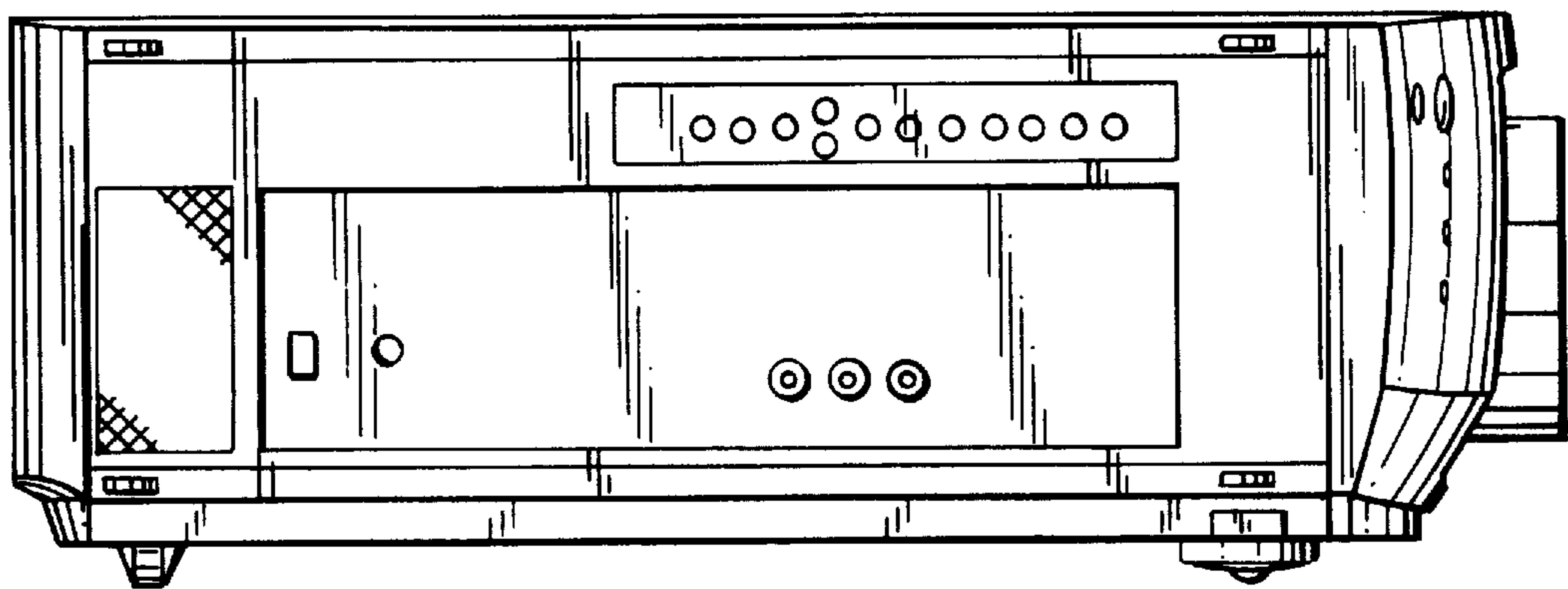
*Fig. 3*



*Fig. 4*

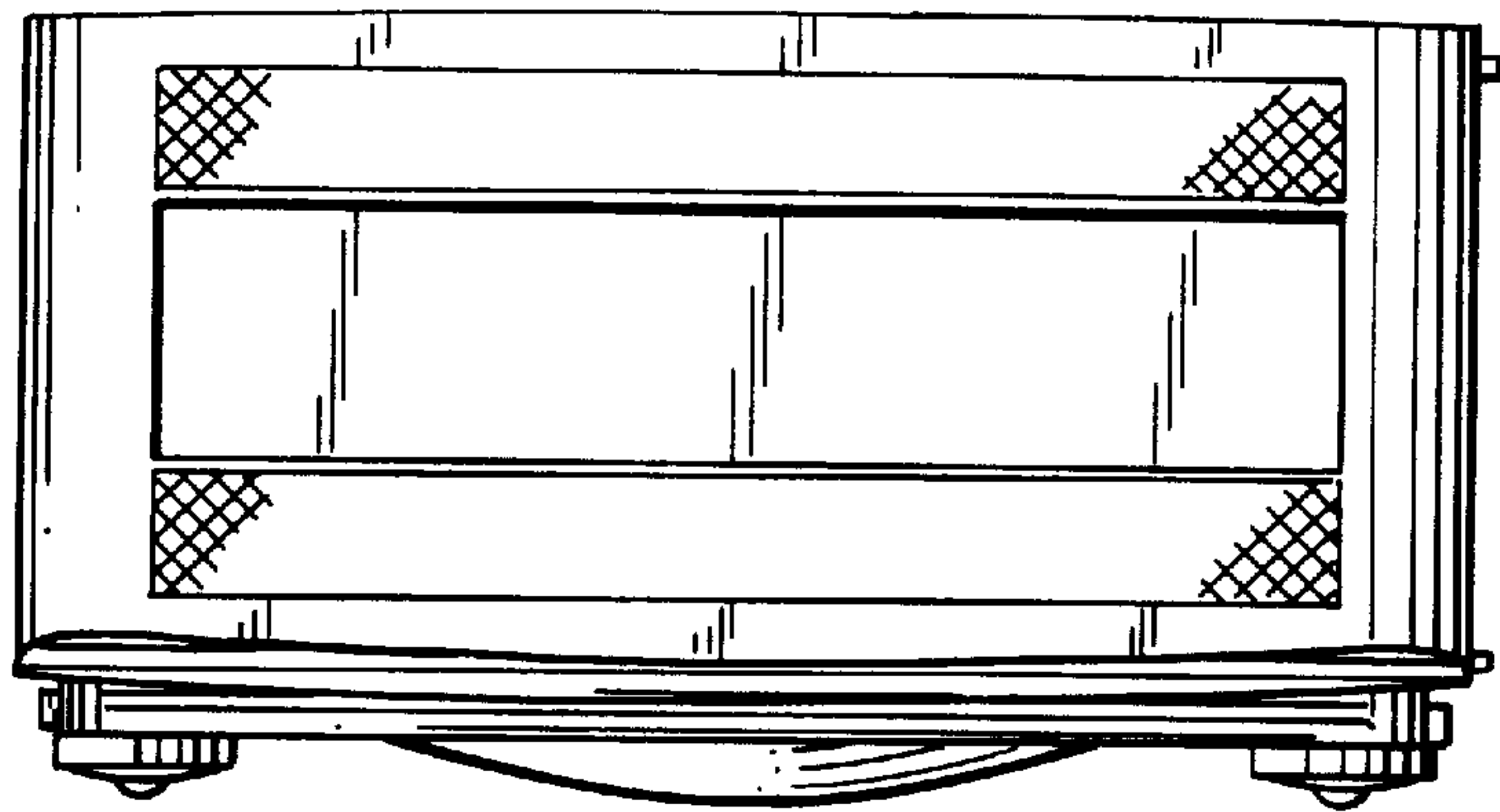


*Fig. 5*





*Fig. 6*



*Fig. 7*

