



US00D398618S

# United States Patent [19]

Aoyama et al.

[11] **Patent Number: Des. 398,618**

[45] **Date of Patent: \*\*Sep. 22, 1998**

[54] **VERTICAL NUMERICALLY CONTROLLED MILLING MACHINE**

D. 389,845 1/1998 Nakamura et al. .... D15/131  
5,682,657 11/1997 Hirose ..... 29/33 J

[75] Inventors: **Nobuhisa Aoyama**, Tokyo; **Yasuchika Uede**, Mishima, both of Japan

*Primary Examiner*—Antoine Duval Davis  
*Attorney, Agent, or Firm*—Finnegan, Henderson, Farabow, Garrett & Dunner, L.L.P.

[73] Assignees: **Masaru Nakamura**, Niigata; **Toshiba Kikai Kabushiki Kaisha**, Tokyo, both of Japan

[57] **CLAIM**

[\*\*] Term: **14 Years**

The ornamental design for a vertically numerically controlled milling machine, as shown and described.

[21] Appl. No.: **70,599**

**DESCRIPTION**

[22] Filed: **May 12, 1997**

FIG. 1 is a perspective view of a vertical numerically controlled milling machine according to our design; FIG. 2 is a front elevational view of thereof; FIG. 3 is a rear elevational view thereof; FIG. 4 is a top plan view thereof; FIG. 5 is a bottom view thereof; FIG. 6 is a left elevational view thereof; FIG. 7 is a right elevational view thereof; FIG. 8 is a sectional view along A—A of FIG. 1 without showing inside details; and, FIG. 9 is a sectional view along B—B of FIG. 1 without showing inside details.

[30] **Foreign Application Priority Data**

Nov. 11, 1996 [JP] Japan ..... 8-34049

[51] **LOC (6) Cl.** ..... **15-09**

[52] **U.S. Cl.** ..... **D15/131**

[58] **Field of Search** ..... D15/131; 29/560, 29/568, 330; 408/38; 409/64, 89, 160, 201, 210; 83/552

[56] **References Cited**

**U.S. PATENT DOCUMENTS**

D. 277,679 2/1985 Kitamura ..... D15/131

**1 Claim, 9 Drawing Sheets**

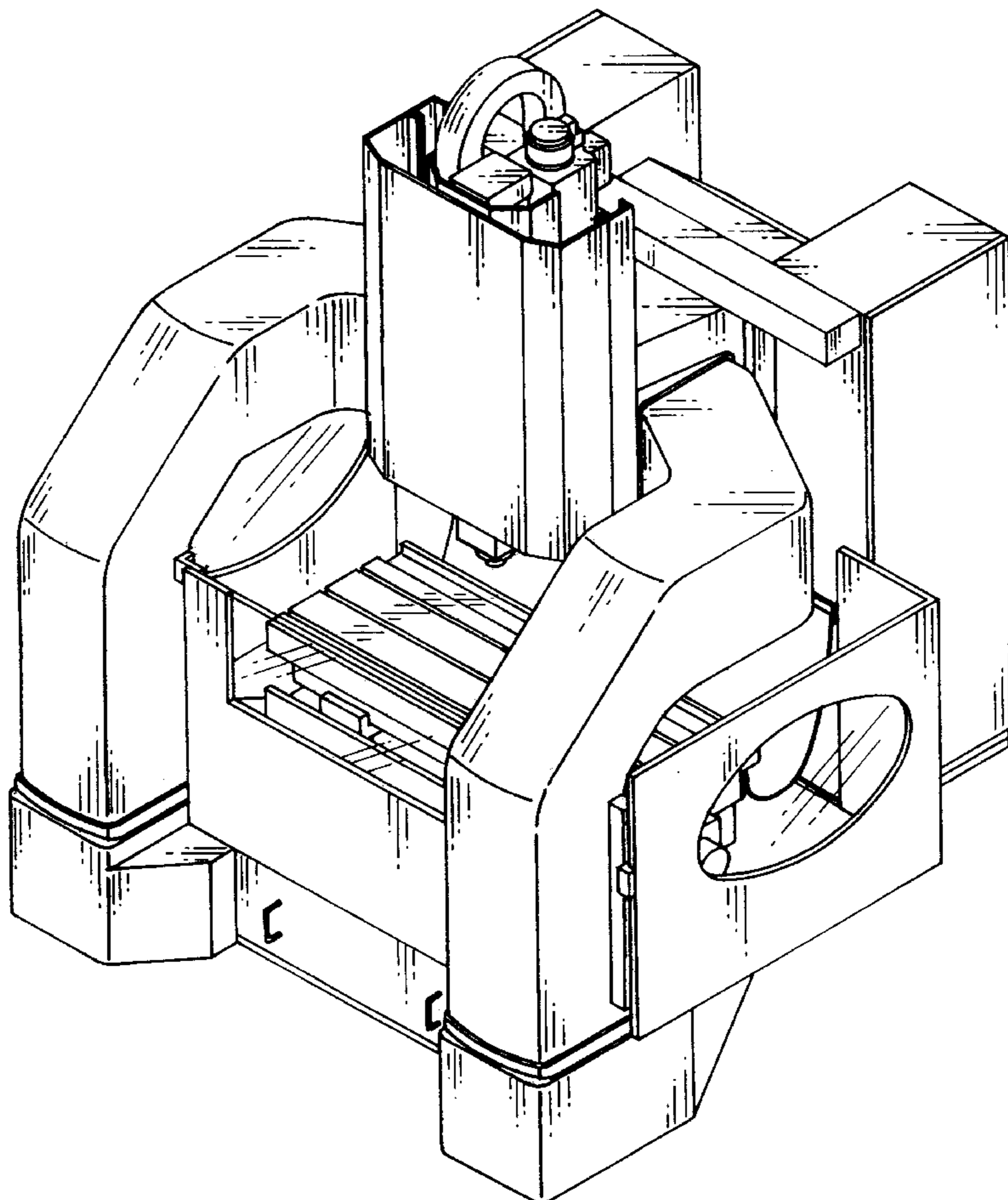


FIG. 1

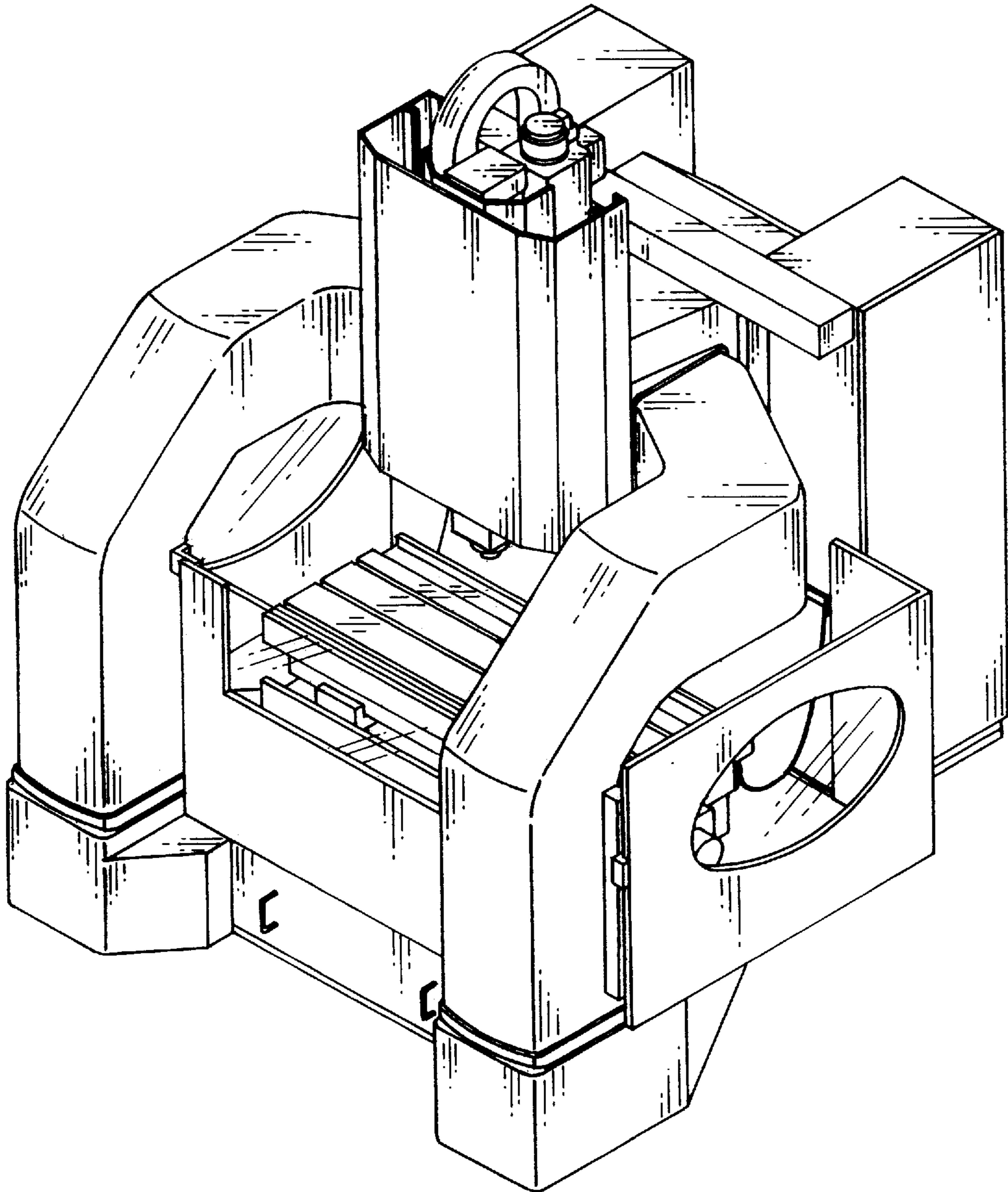


FIG. 2

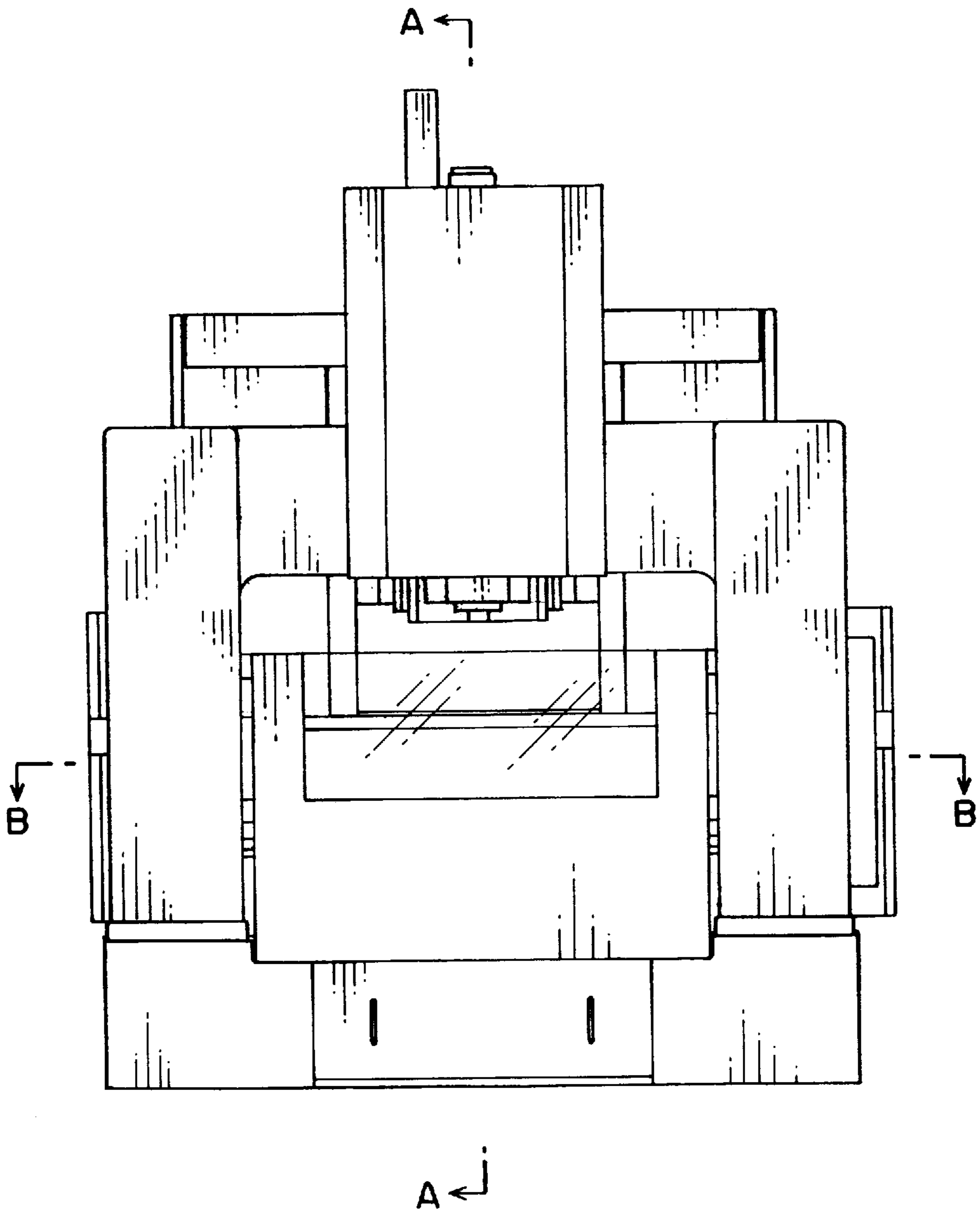


FIG. 3

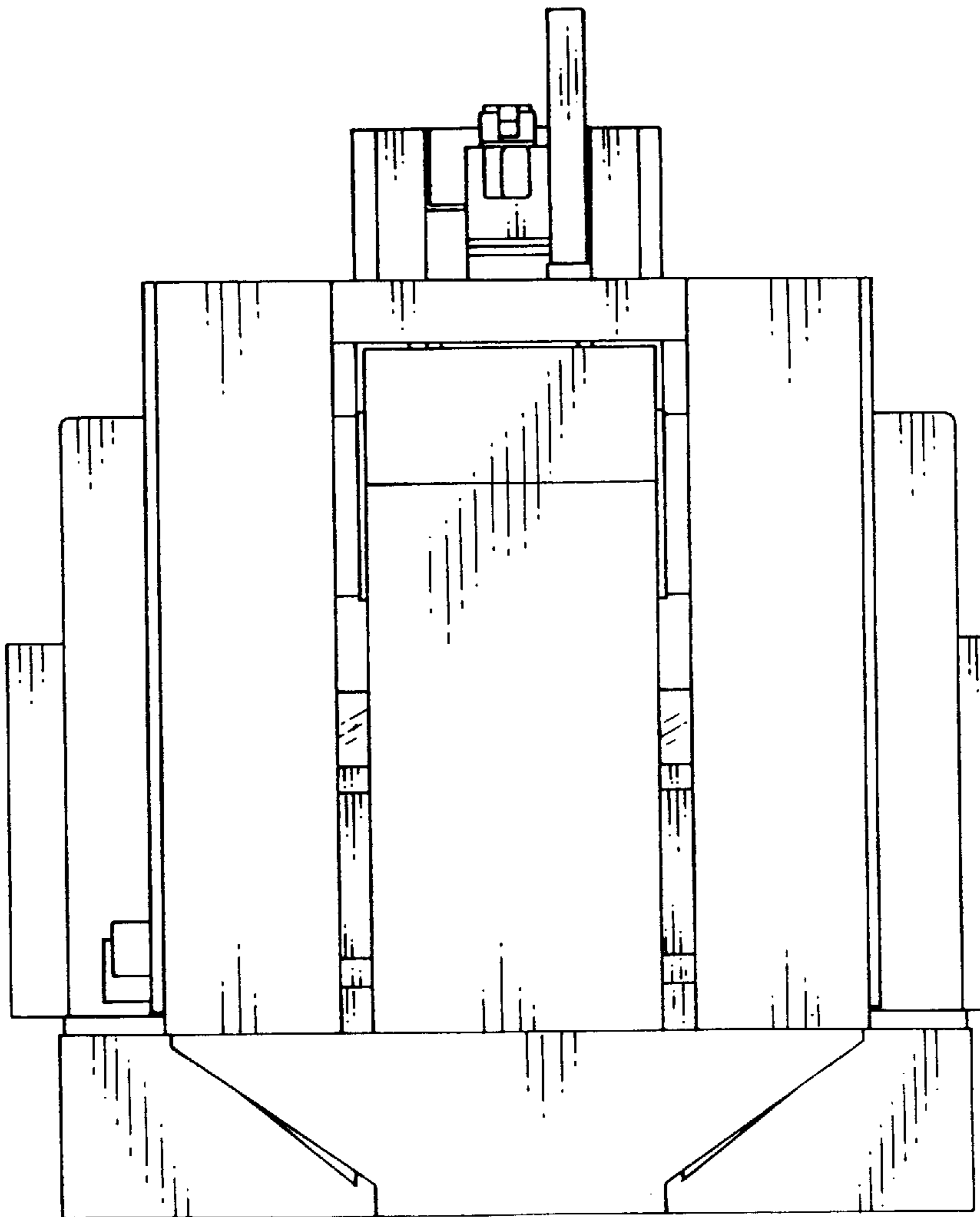


FIG. 4

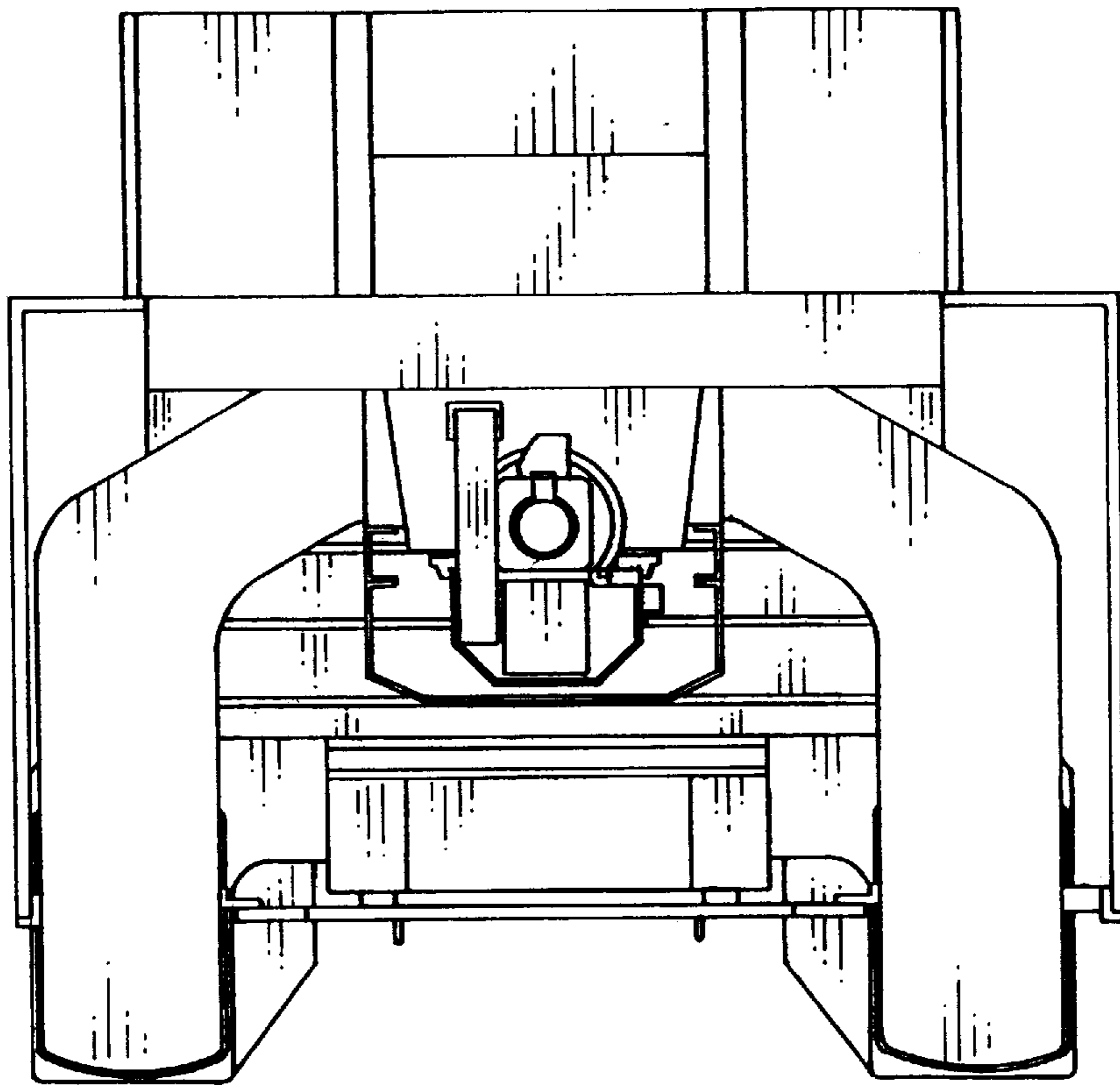


FIG. 5

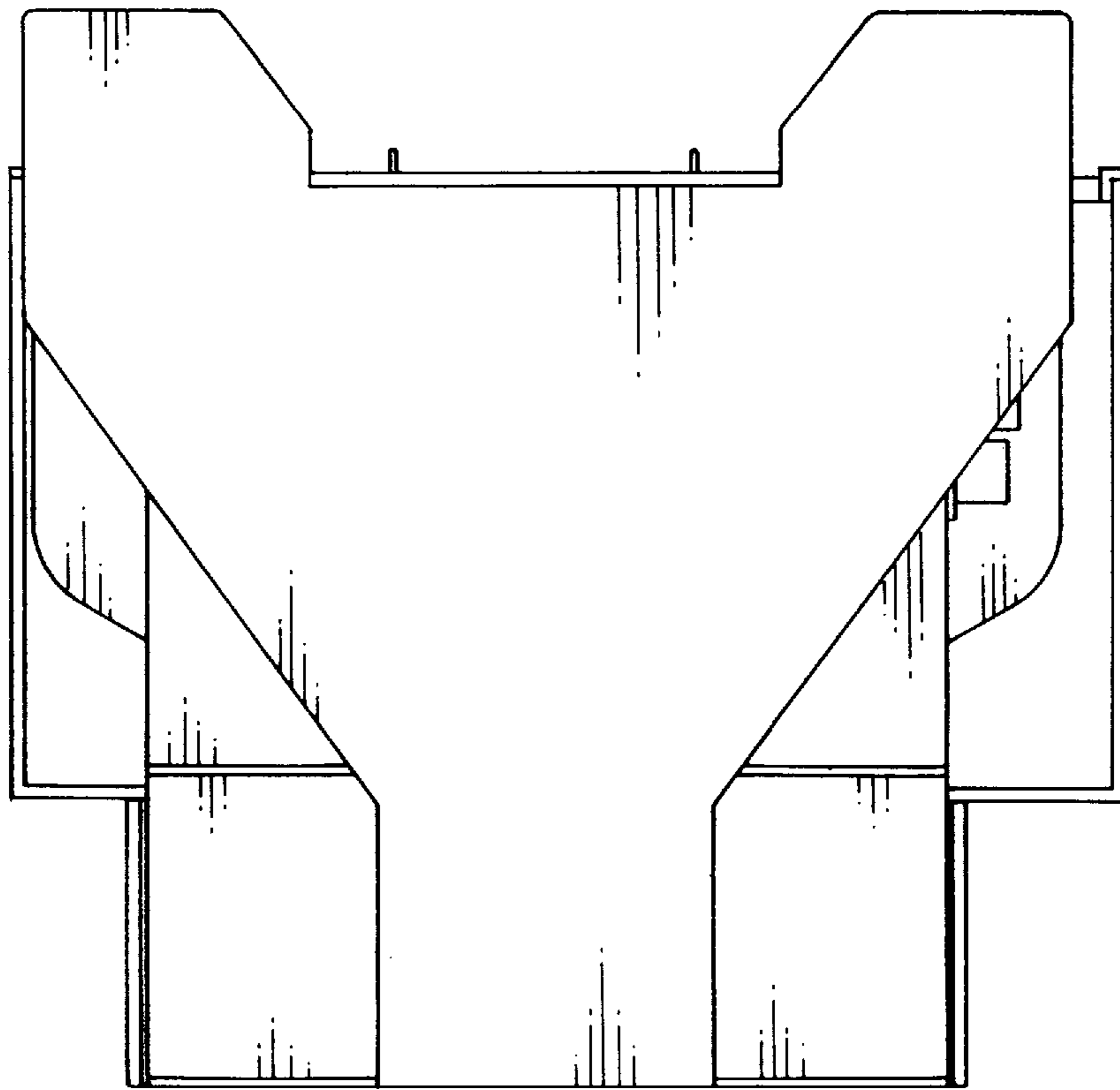


FIG. 6

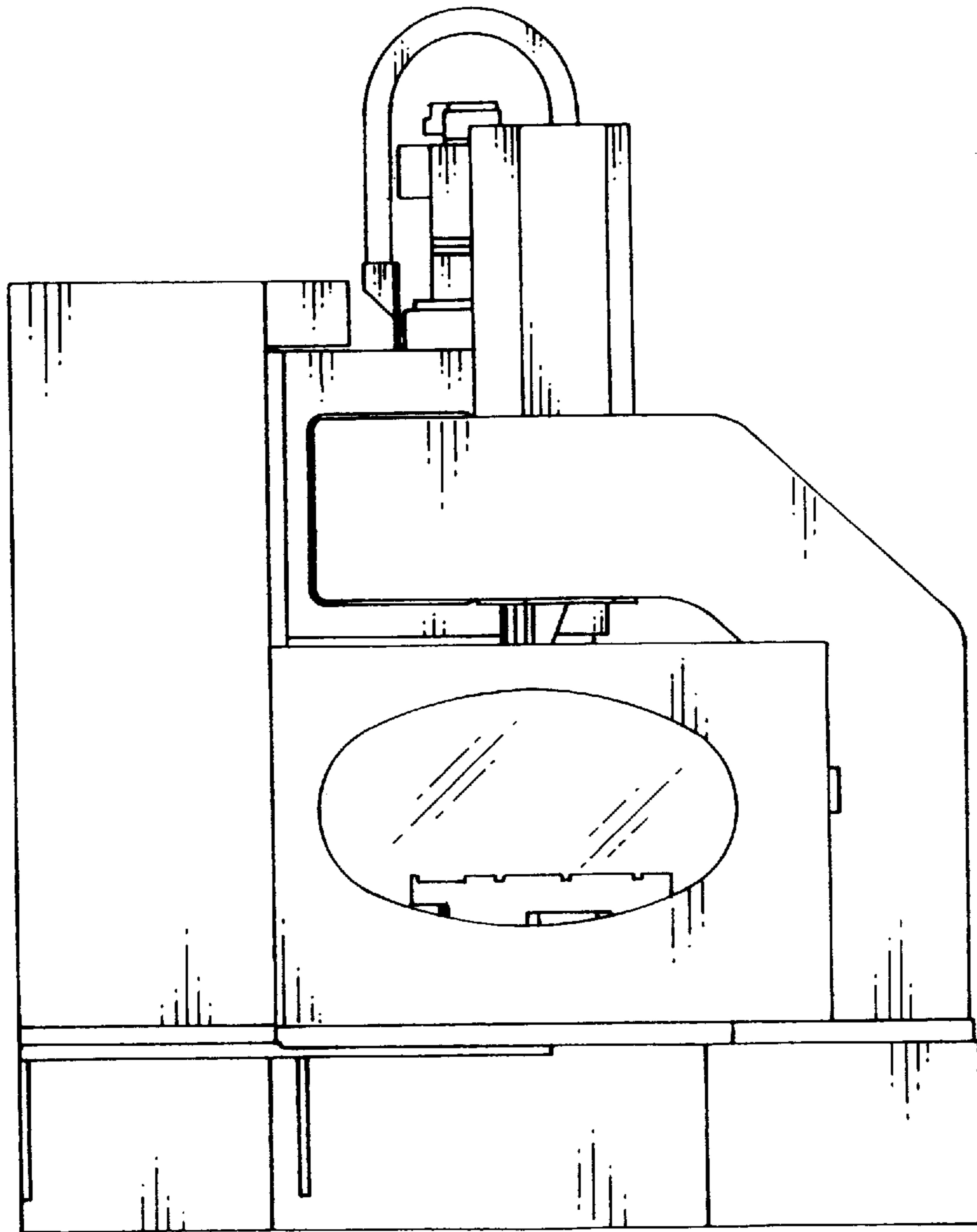


FIG. 7

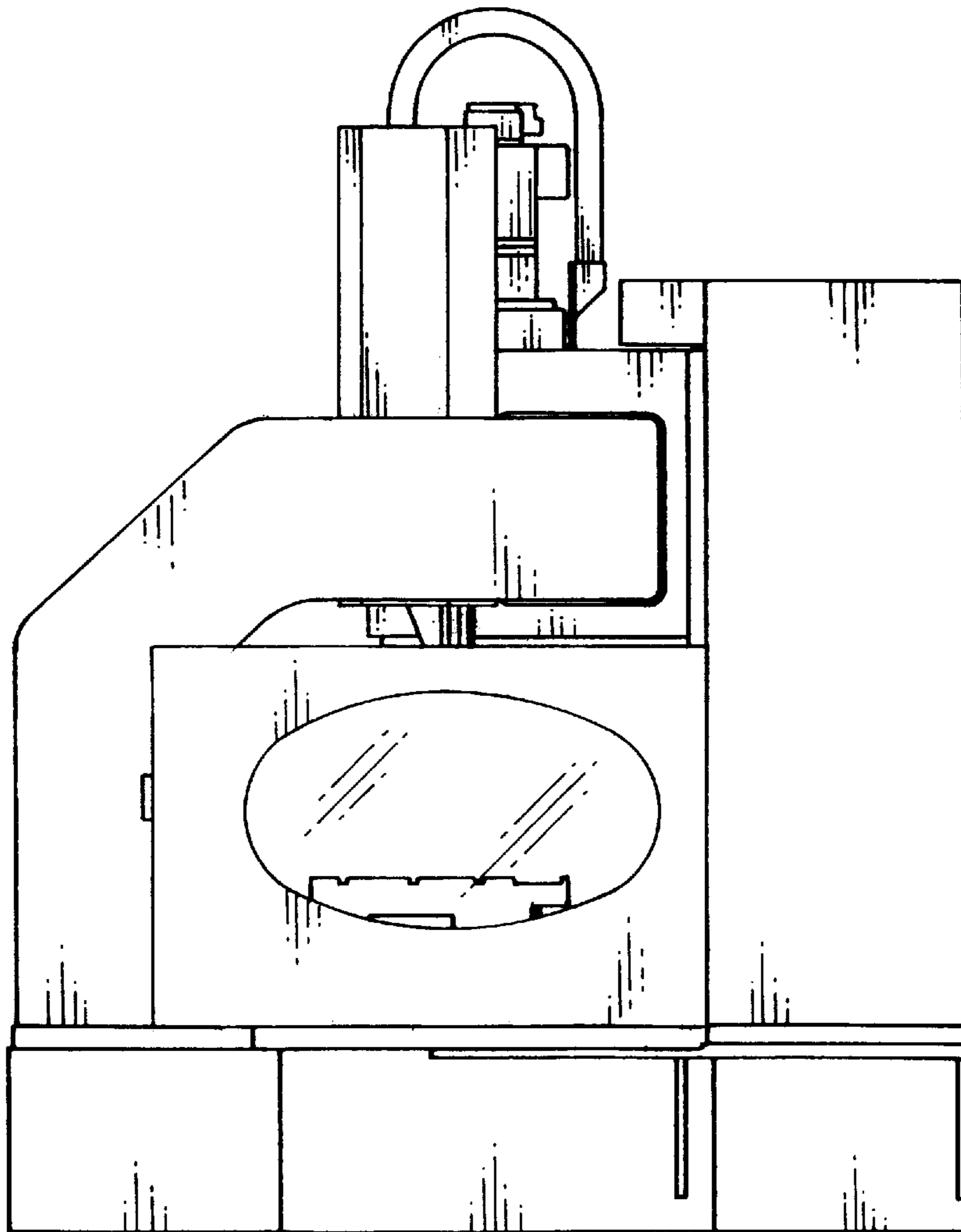




FIG. 8

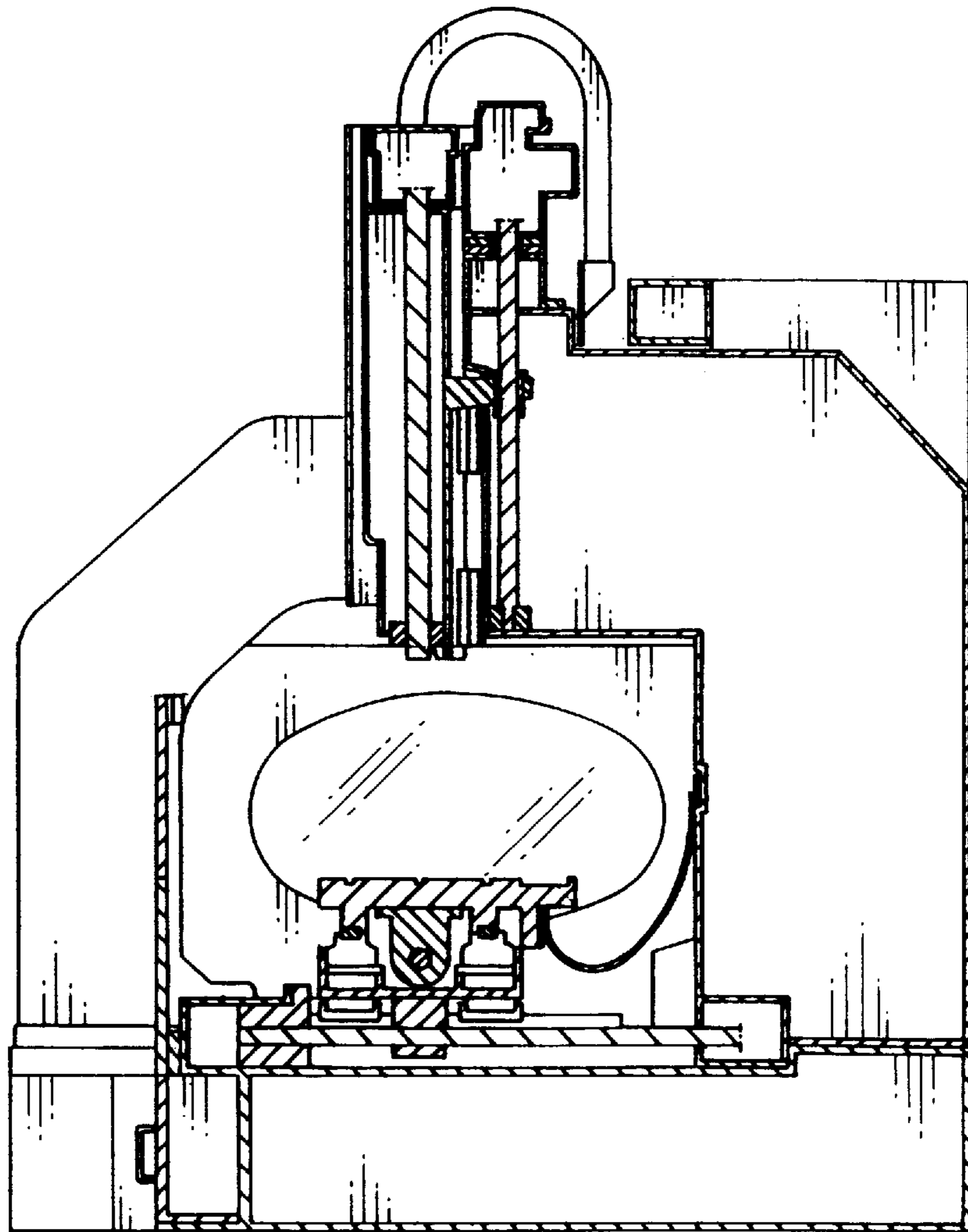


FIG. 9

