



US00D398617S

United States Patent [19]

Vancayzeele

[11] Patent Number: **Des. 398,617**

[45] Date of Patent: ****Sep. 22, 1998**

[54] **WEAVING MACHINE**

[75] Inventor: **Bernard Vancayzeele**, Ieper, Belgium

[73] Assignee: **Picanol N.V., naamloze vennootschap**, Ieper, Belgium

[**] Term: **14 Years**

[21] Appl. No.: **63,719**

[22] Filed: **Dec. 13, 1996**

[30] Foreign Application Priority Data

Jun. 14, 1996 [BX] Benelux TM/Des. Off. 71997-00

[51] **LOC (6) Cl.** **15-06**

[52] **U.S. Cl.** **D15/66**

[58] **Field of Search** D15/66, 72; 139/11,
139/245, 1 C, 30, 256 A

[56] References Cited

U.S. PATENT DOCUMENTS

D. 216,069 11/1969 Hasler D15/66

D. 369,171	4/1996	Jonson	D15/72
D. 386,501	11/1997	Shaw	D15/66
2,655,947	10/1953	Berglund	139/30
5,012,546	5/1991	Kuwabara et al.	139/1 C
5,524,676	6/1996	Scorl et al.	139/1 C
5,544,677	8/1996	Okubo	139/245

Primary Examiner—Sandra L. Morris
Attorney, Agent, or Firm—Bacon & Thomas

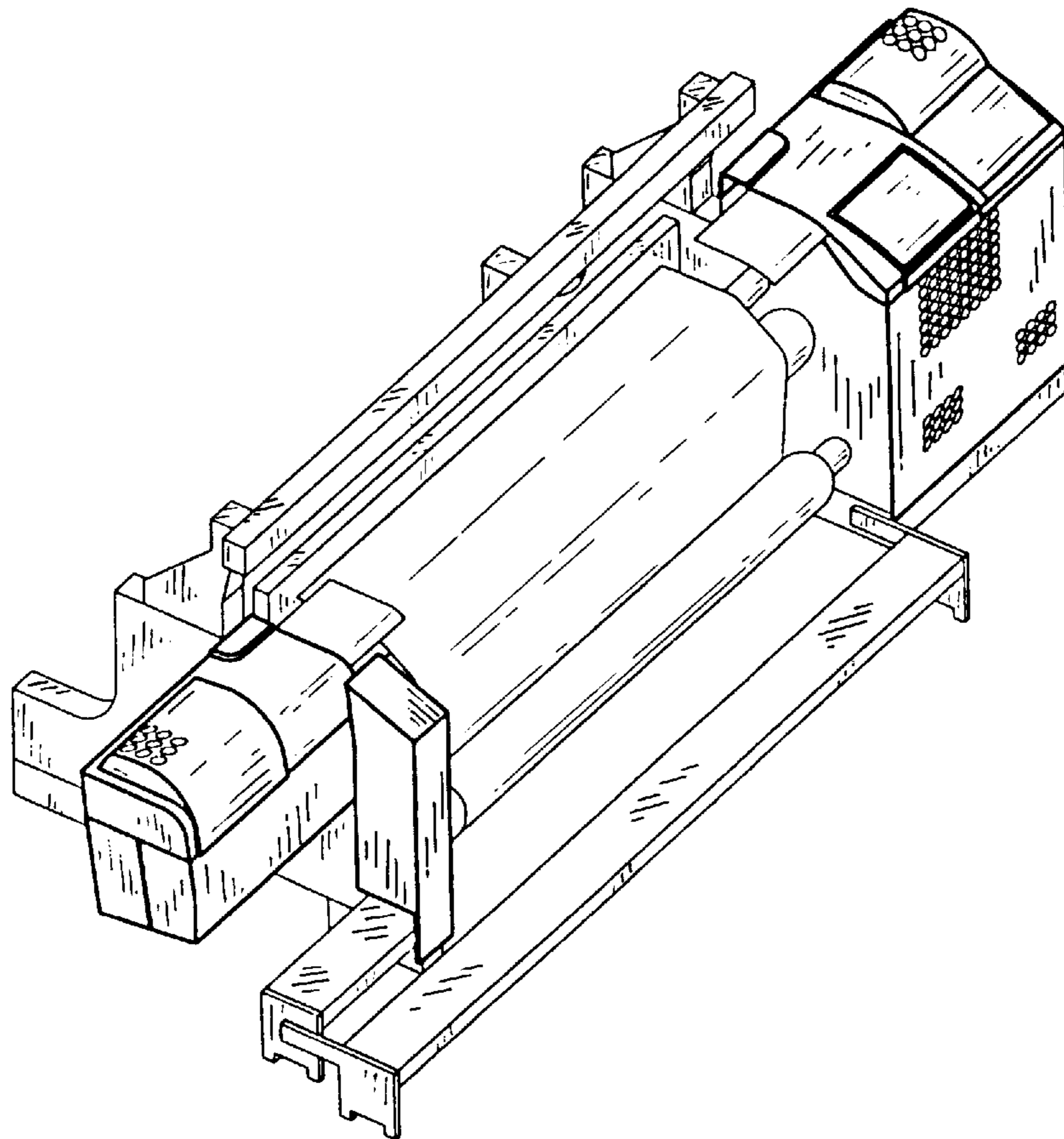
[57] CLAIM

The ornamental design for a weaving machine, as shown.

DESCRIPTION

FIG. 1 is a left side perspective view of a weaving machine, showing my new design;
FIG. 2 is a right side perspective view thereof;
FIG. 3 is a front elevational view thereof;
FIG. 4 is a top plan view thereof;
FIG. 5 is a rear elevational view thereof;
FIG. 6 is a bottom plan view thereof;
FIG. 7 is a left side elevational view thereof; and,
FIG. 8 is a right side elevational view thereof.

1 Claim, 3 Drawing Sheets



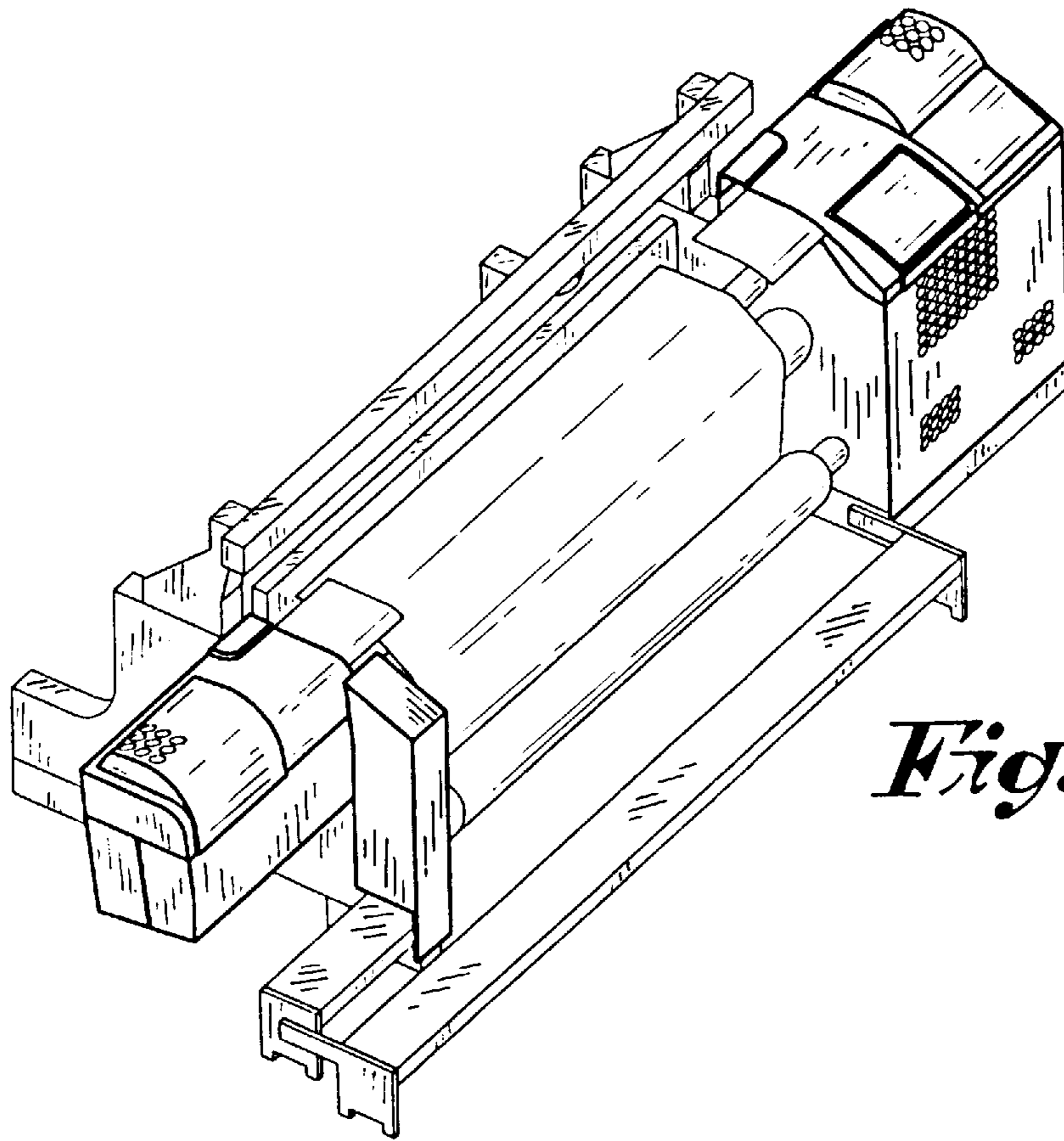


Fig. 1

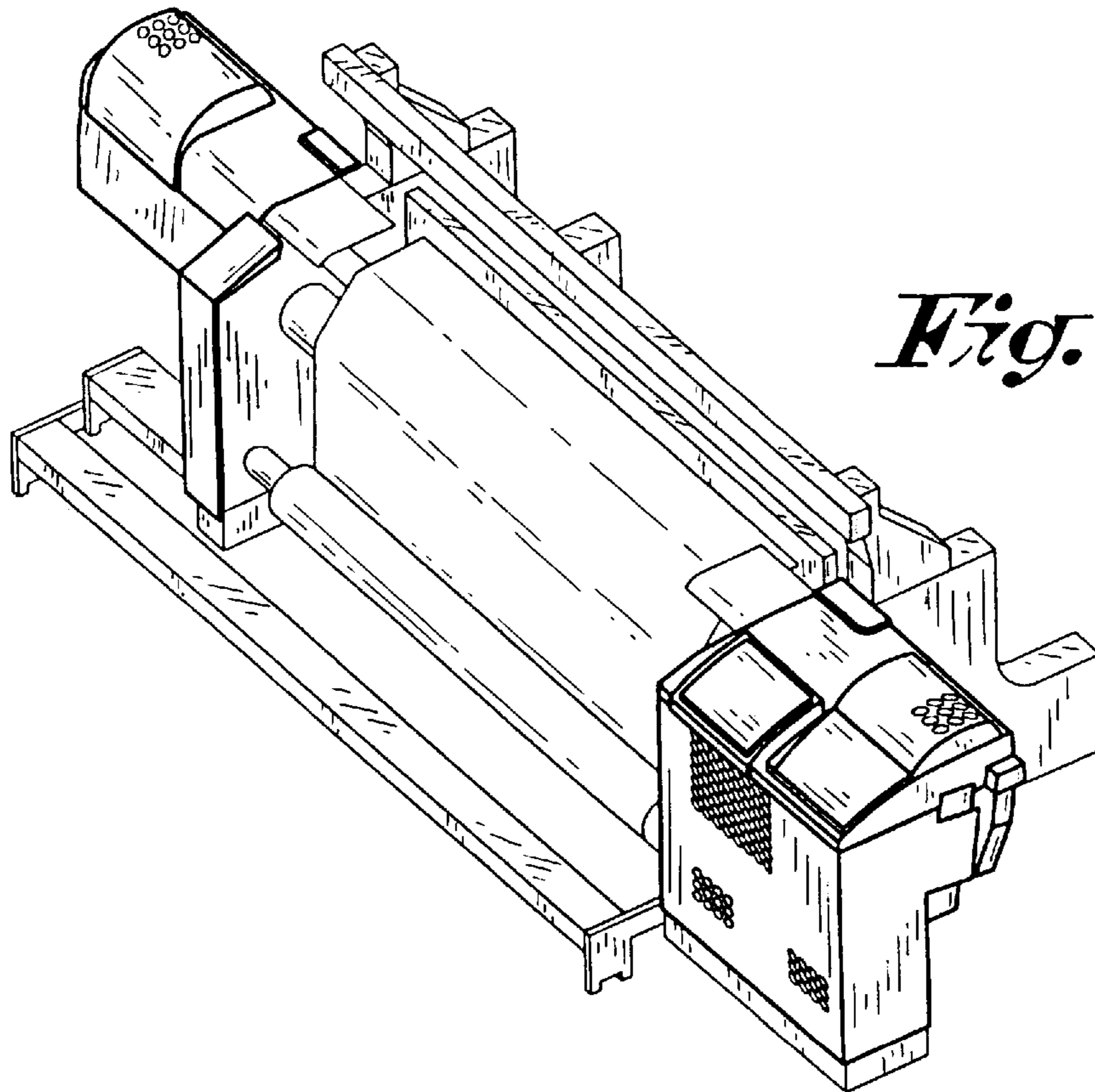


Fig. 2

Fig. 3

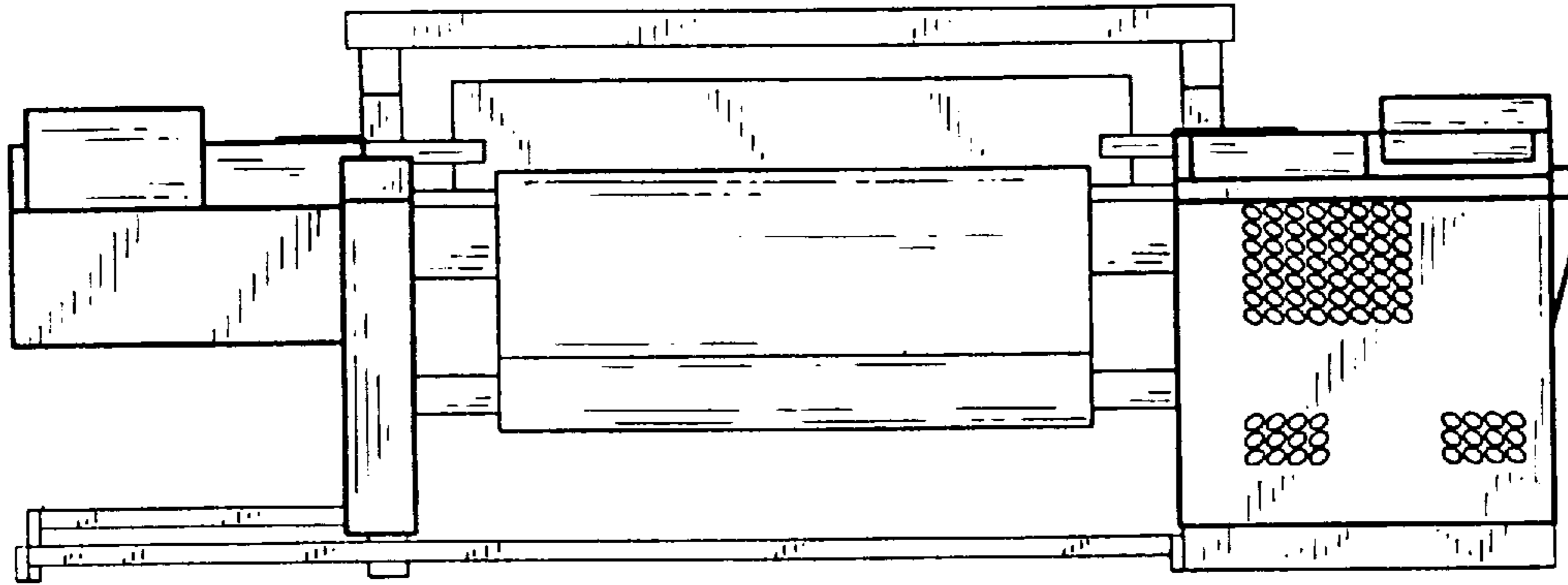


Fig. 4

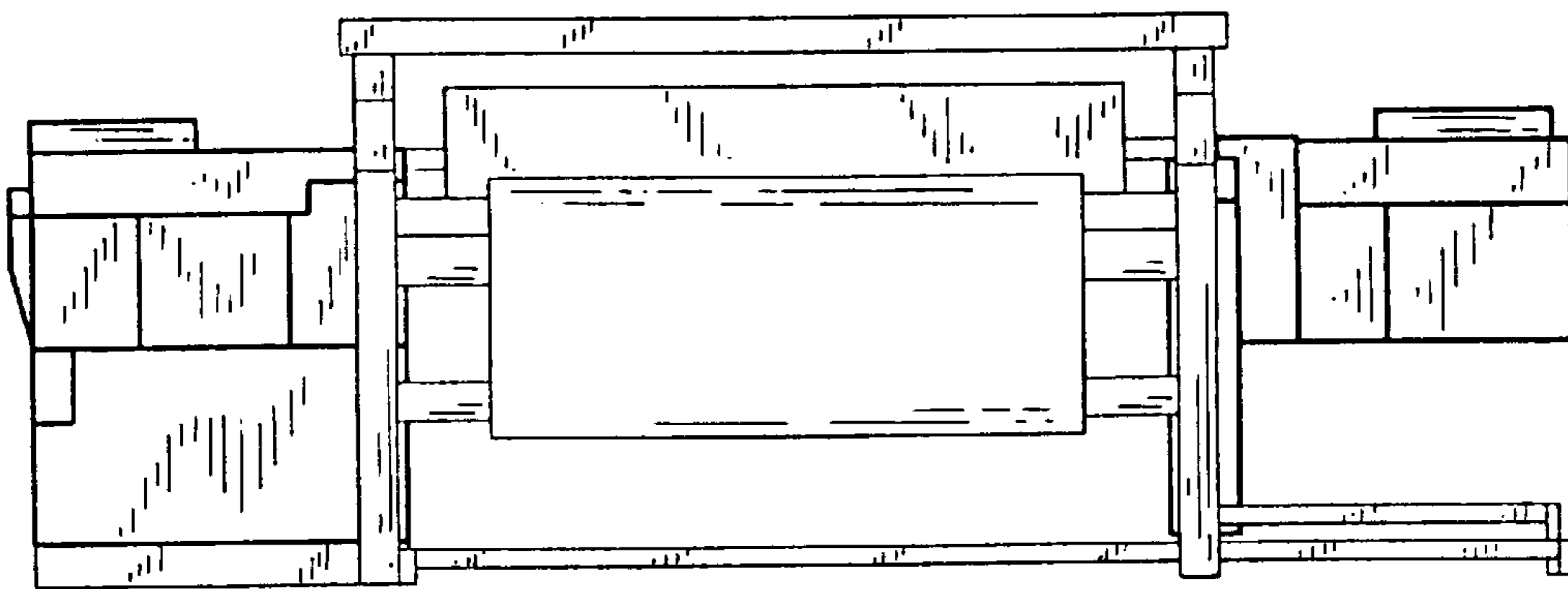
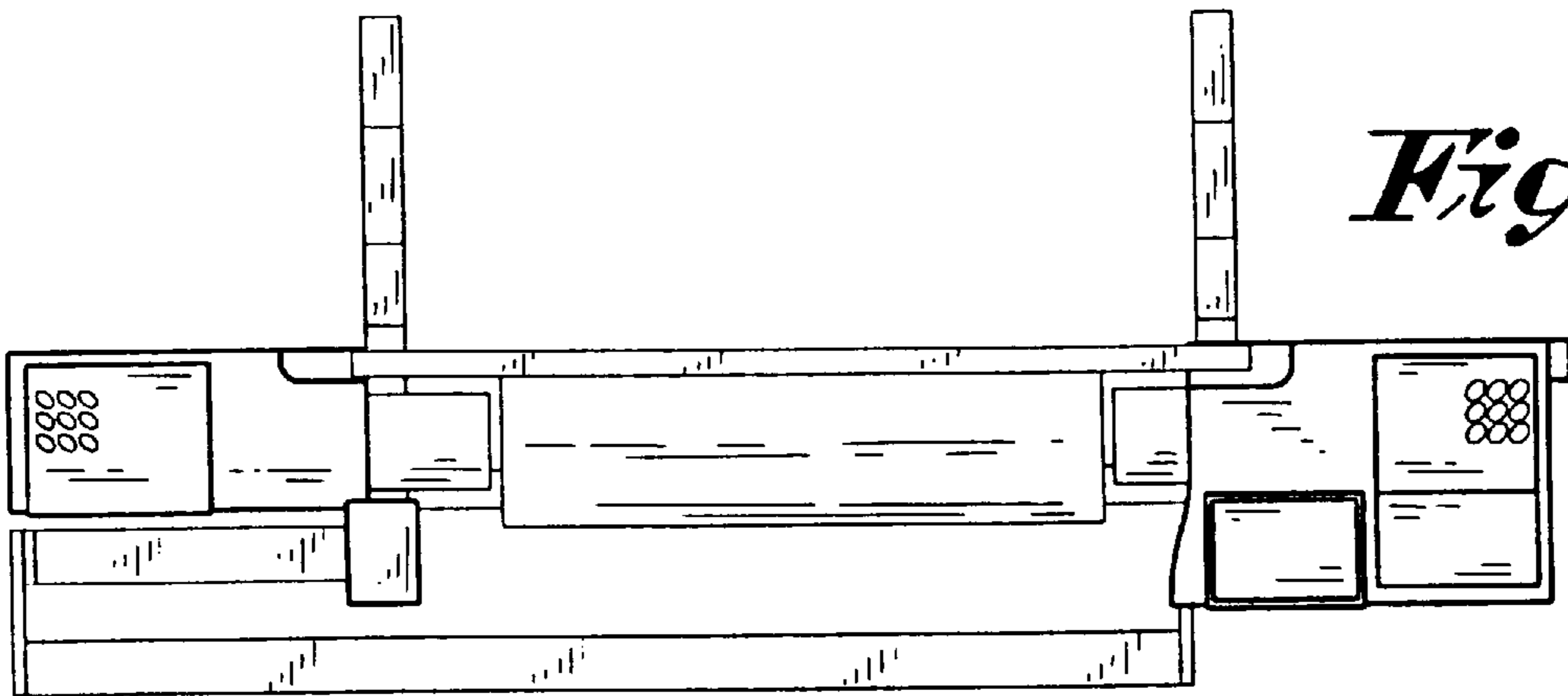


Fig. 5

Fig. 6

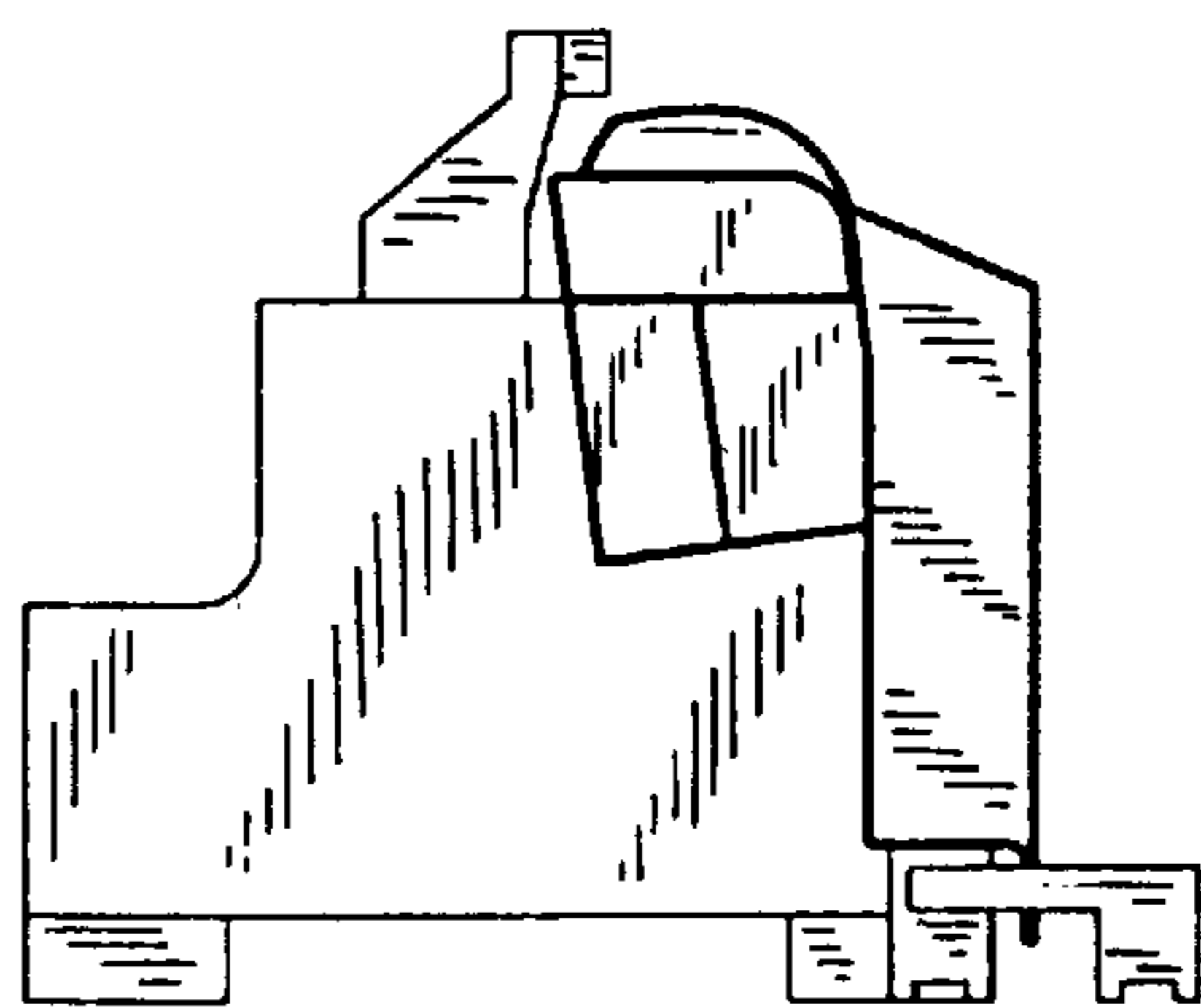
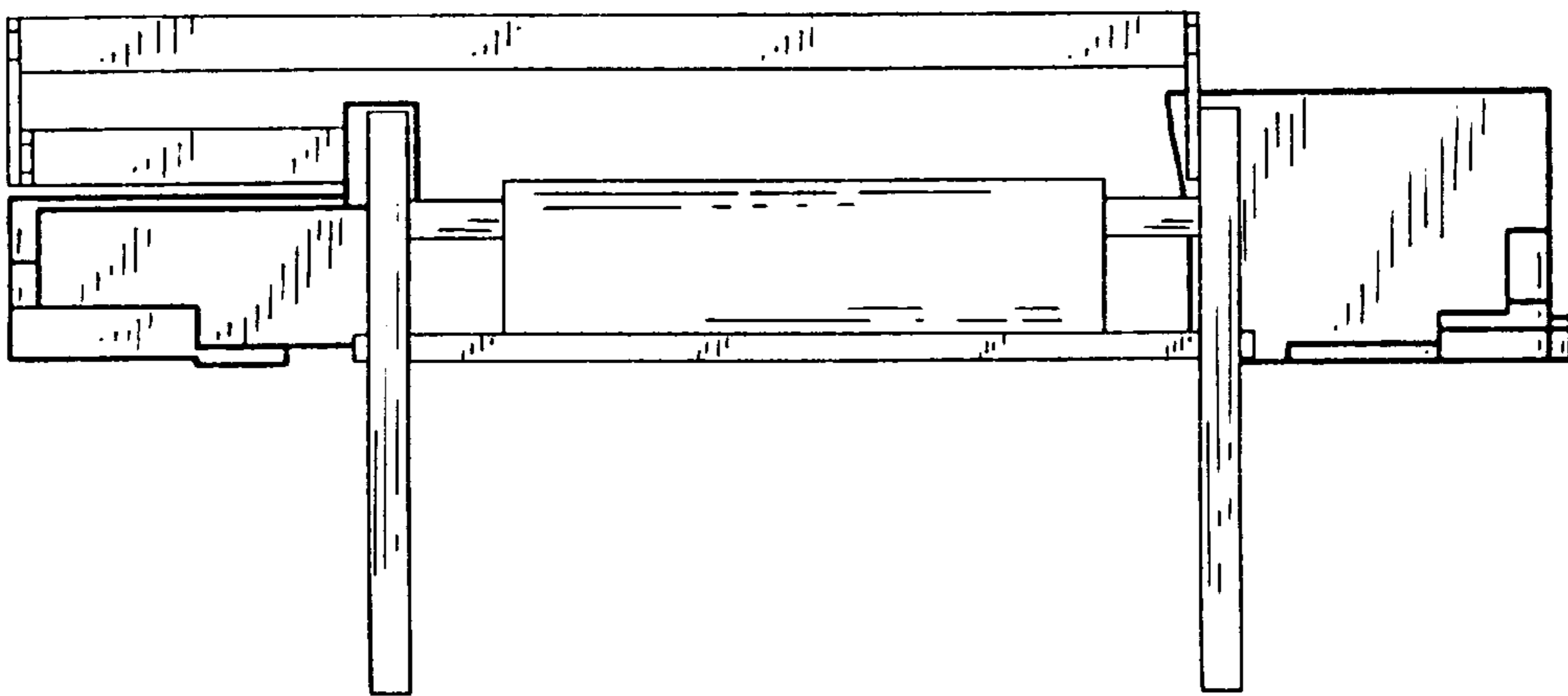


Fig. 7

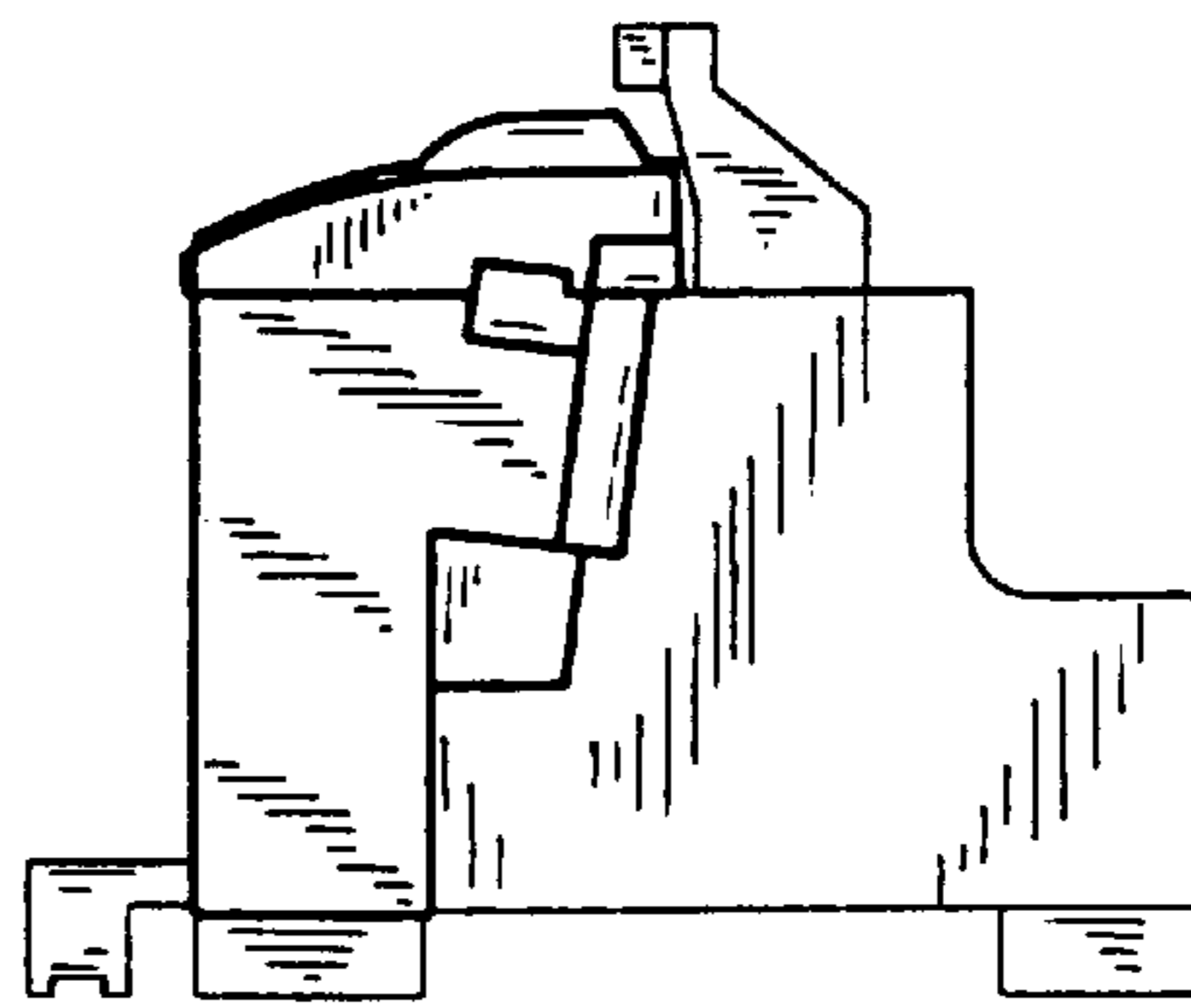


Fig. 8