



US00D398616S

# United States Patent [19]

**Kwak et al.**

[11] **Patent Number: Des. 398,616**

[45] **Date of Patent: \*\*Sep. 22, 1998**

[54] **EXCAVATOR CAB**

5,096,253 3/1992 Jo et al. .... 296/190  
5,577,795 11/1996 Shinsen ..... 180/89.12

[75] Inventors: **Joong Geun Kwak; Seon Oh Chang,**  
both of Jinhae, Rep. of Korea

*Primary Examiner*—Sandra L. Morris  
*Attorney, Agent, or Firm*—Harness, Dickey & Pierce, P.L.C.

[73] Assignee: **Samsung Heavy Industries Co., Ltd.,**  
Rep. of Korea

### [57] CLAIM

[\*\*] Term: **14 Years**

The ornamental design for an excavator cab, as shown and described.

[21] Appl. No.: **64,652**

### DESCRIPTION

[22] Filed: **Dec. 23, 1996**

FIG. 1 is a perspective view of an excavator cab according to the present invention;

### [30] Foreign Application Priority Data

Dec. 2, 1996 [KR] Rep. of Korea ..... 1996-25521

FIG. 2 is a front view of the excavator cab shown in FIG. 1;

[51] **LOC (6) Cl.** ..... **15-04**

[52] **U.S. Cl.** ..... **D15/30**

FIG. 3 is a rear view of the excavator cab shown in FIG. 1;

[58] **Field of Search** ..... D15/10, 22-26,  
D15/28, 30; 180/89.1, 89.12, 89.13; 296/190,  
202

FIG. 4 is a left side view of the excavator cab shown in FIG. 1;

FIG. 5 is a right side view of the excavator cab shown in FIG. 1;

FIG. 6 is a top plan view of the excavator cab shown in FIG. 1; and,

FIG. 7 is a bottom view of the excavator cab shown in FIG. 1.

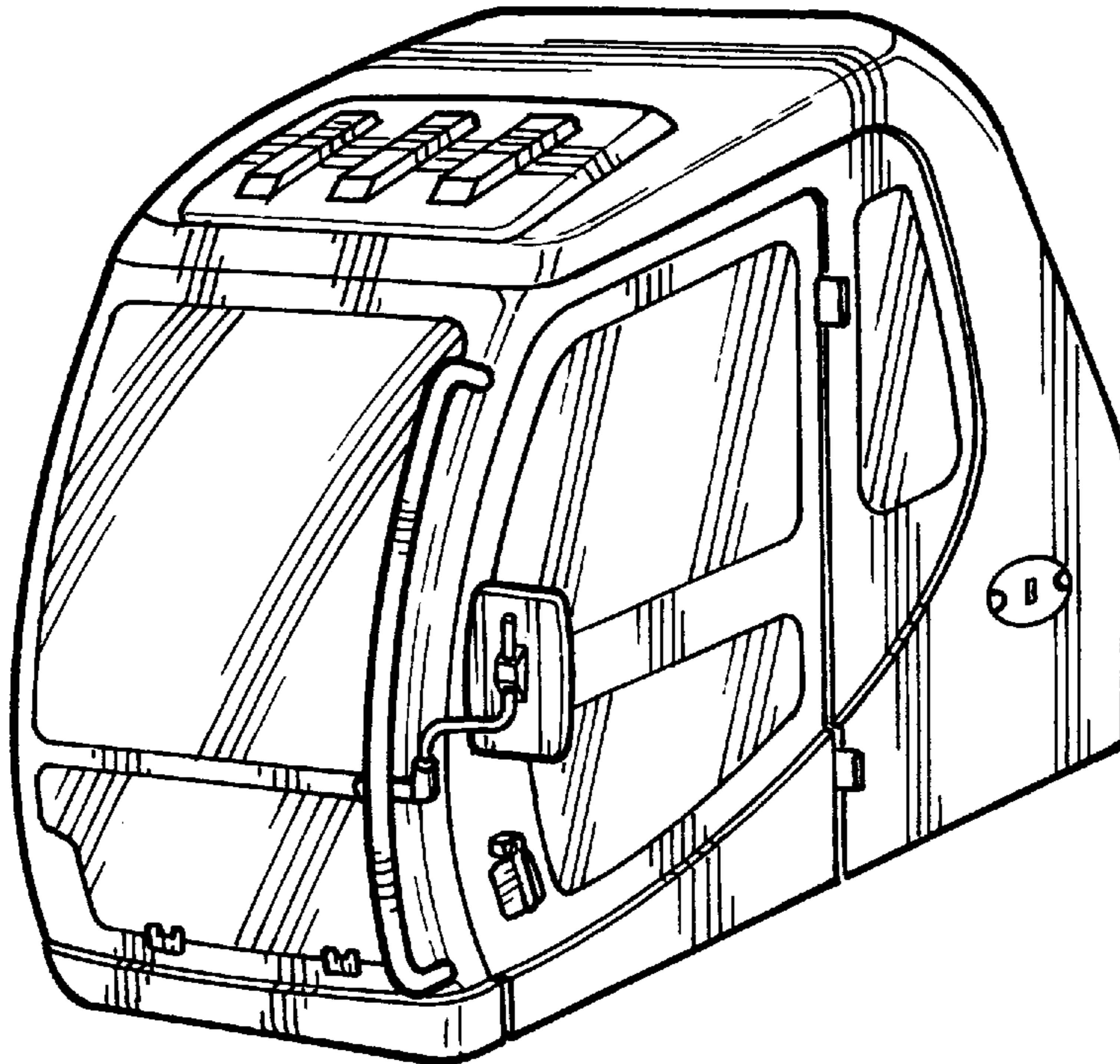
FIGS. 2-7 are shown on an enlarged scale.

### [56] References Cited

#### U.S. PATENT DOCUMENTS

D. 348,678 7/1994 Budde ..... D15/30

**1 Claim, 4 Drawing Sheets**



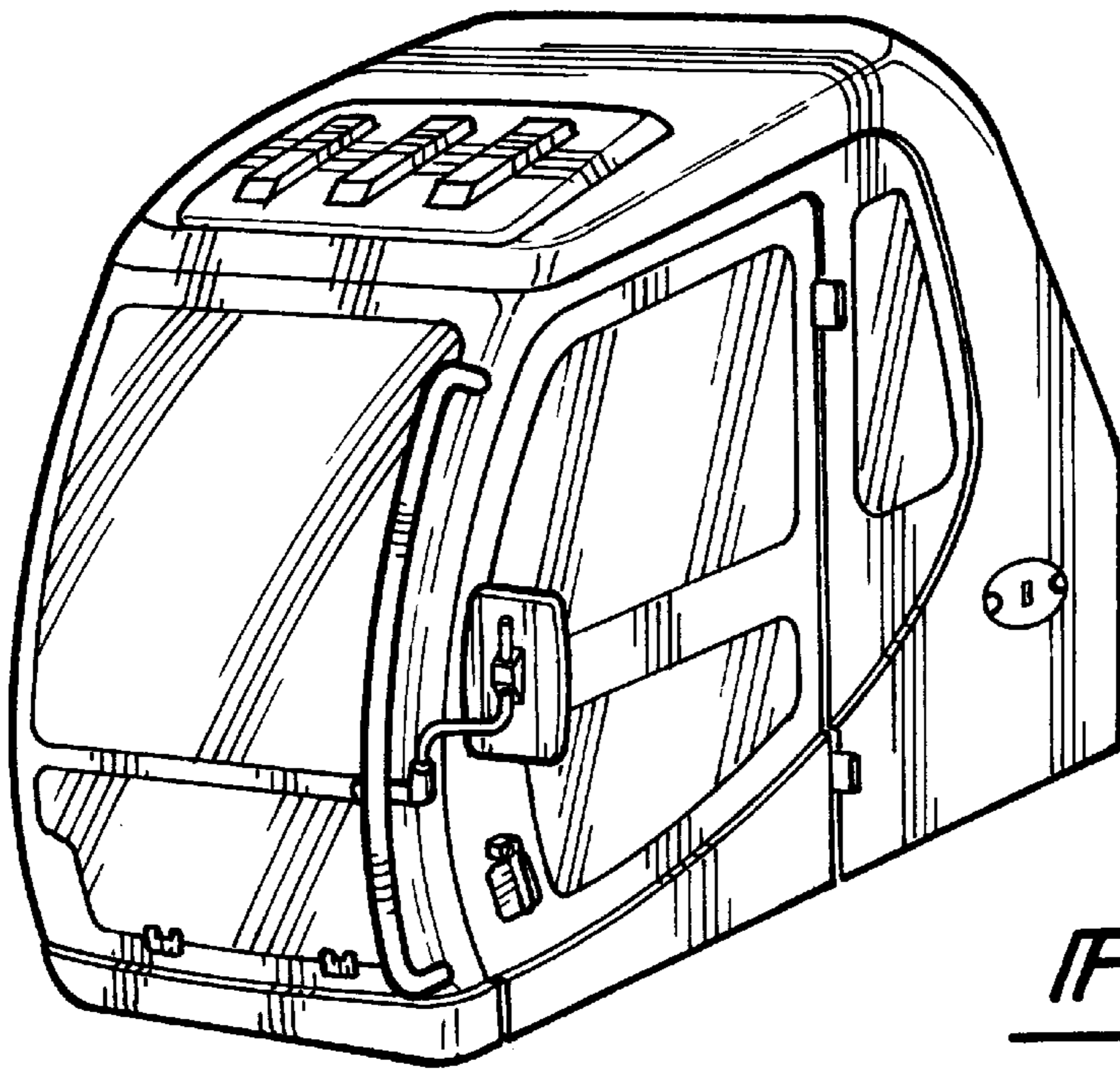
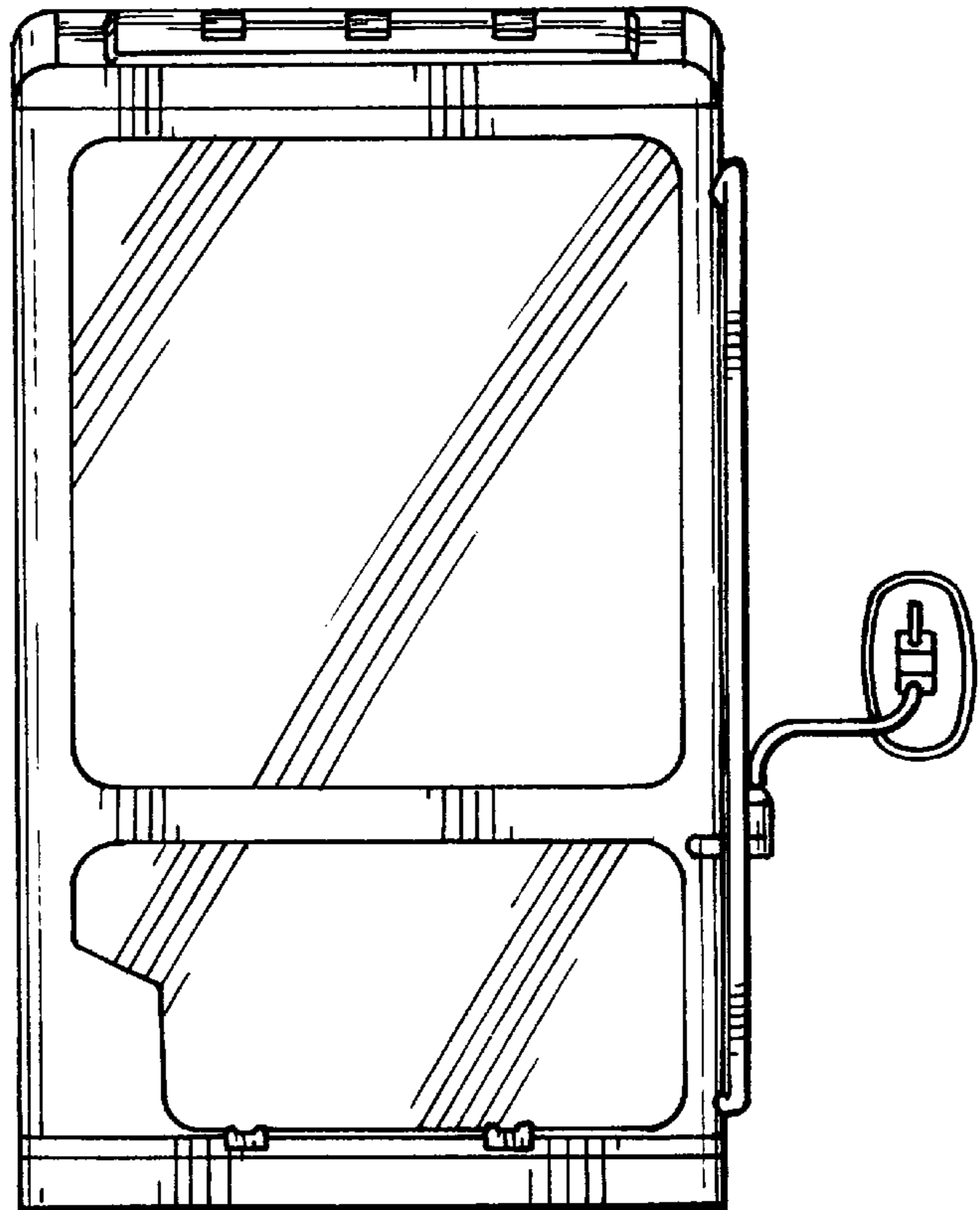


Fig-1

Fig-2



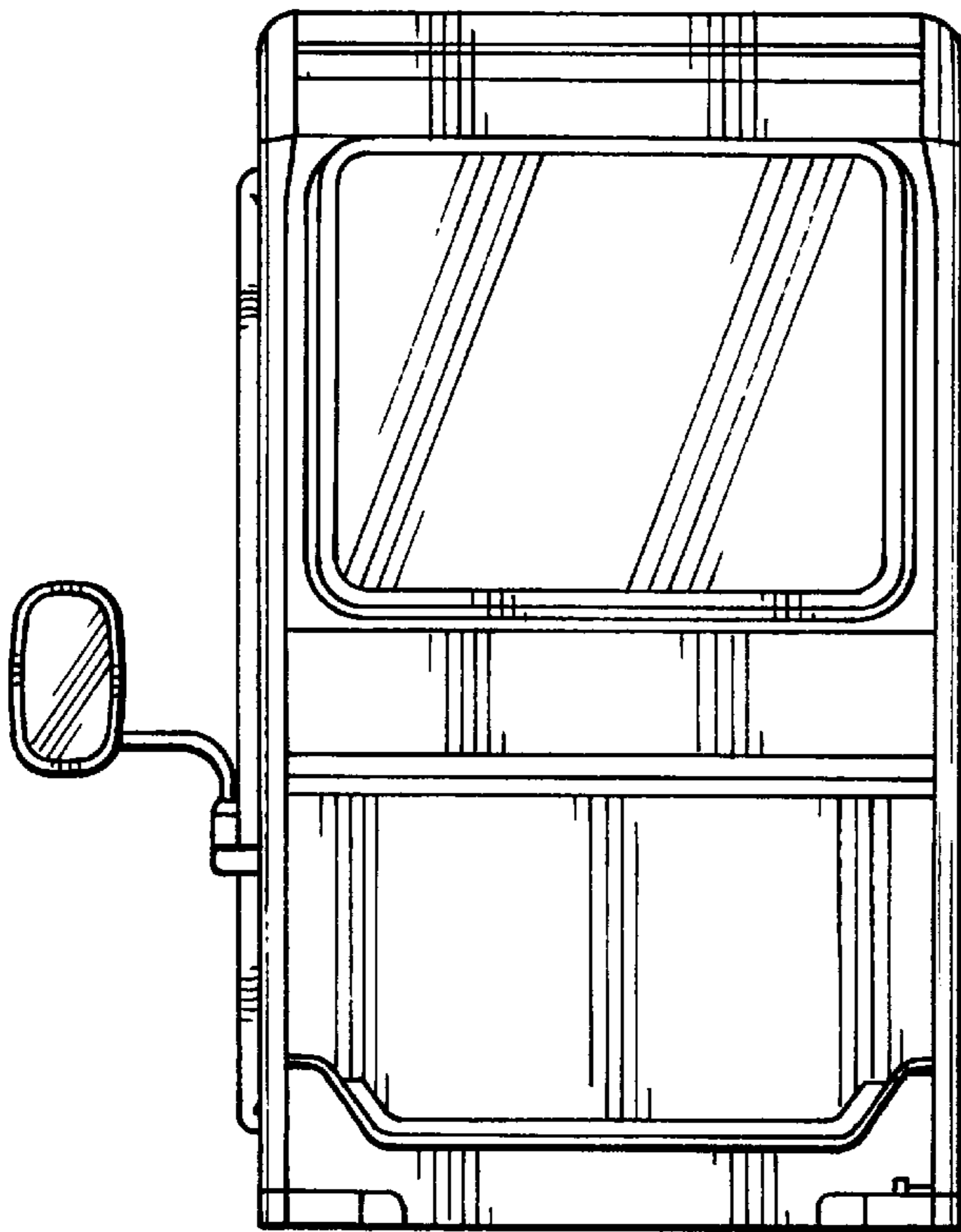
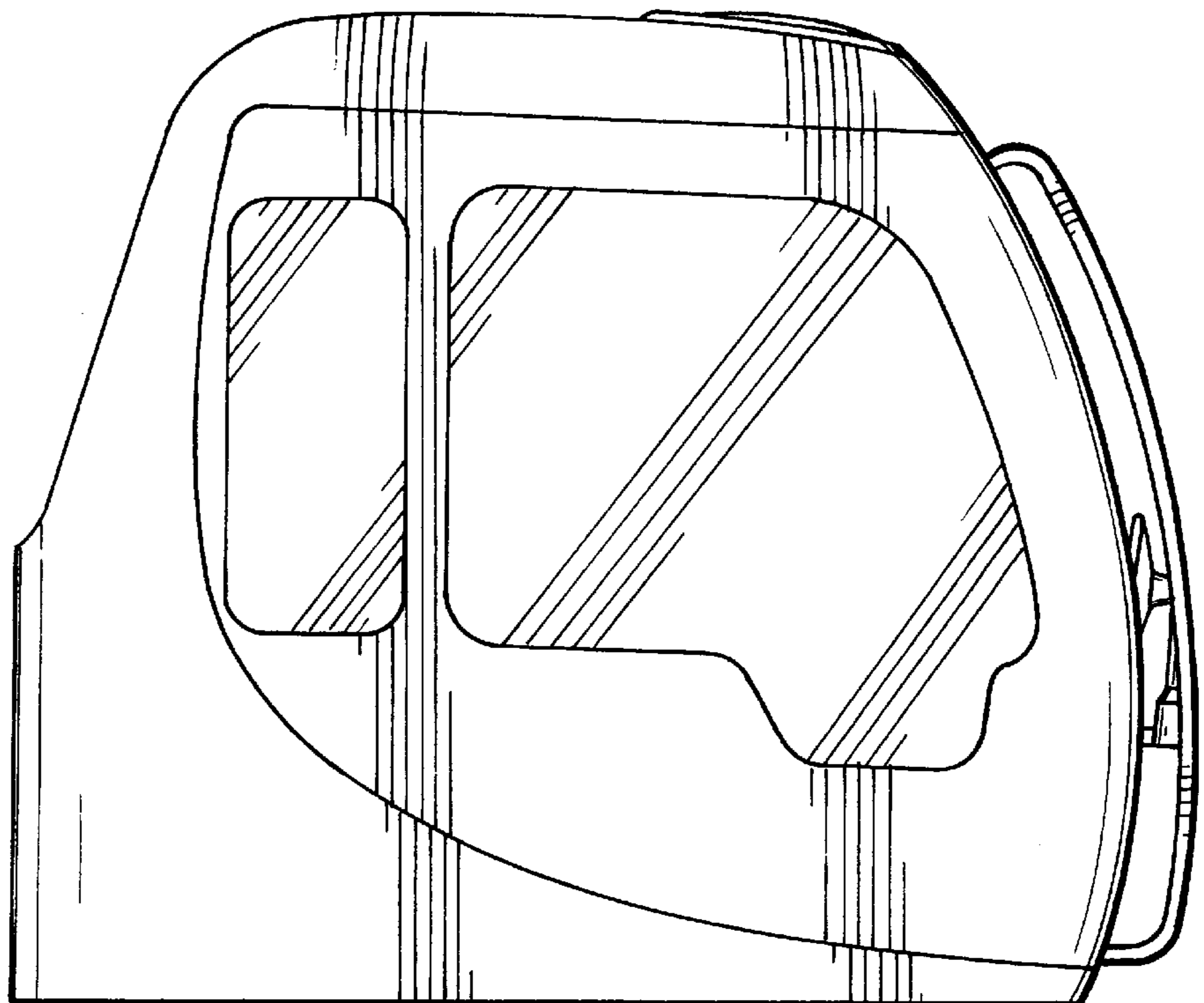


Fig-3

Fig-4



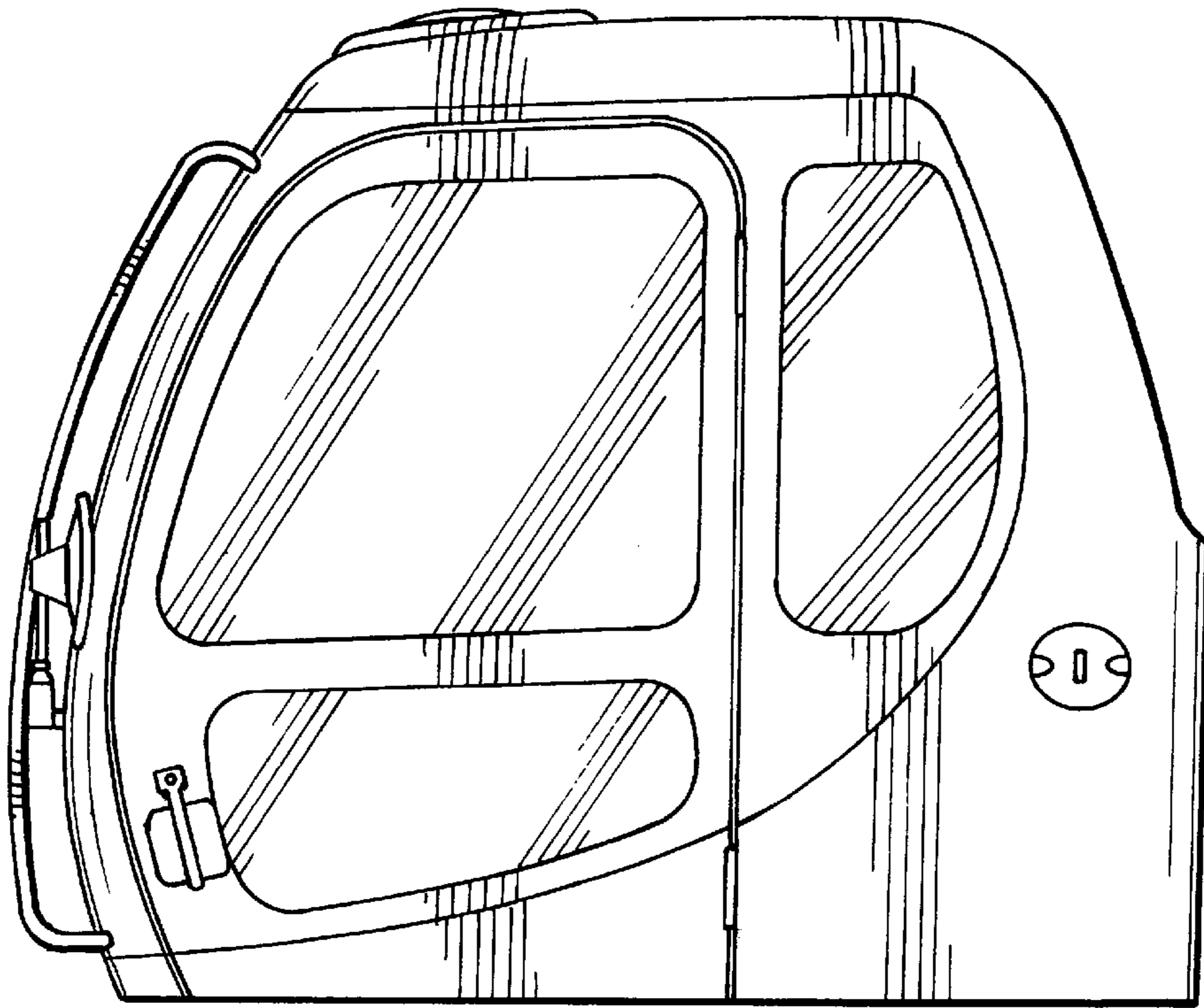


Fig-5

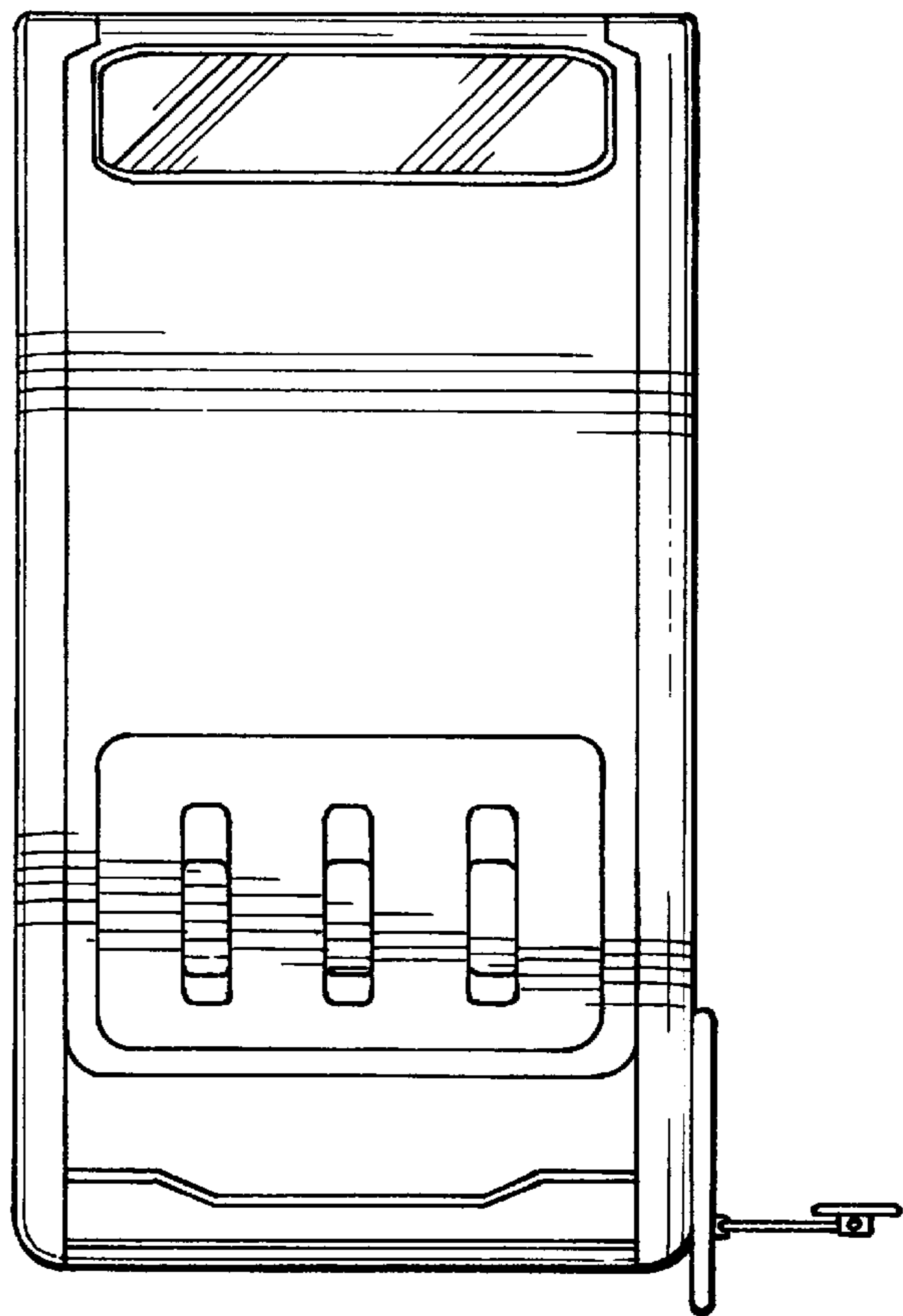


Fig-6

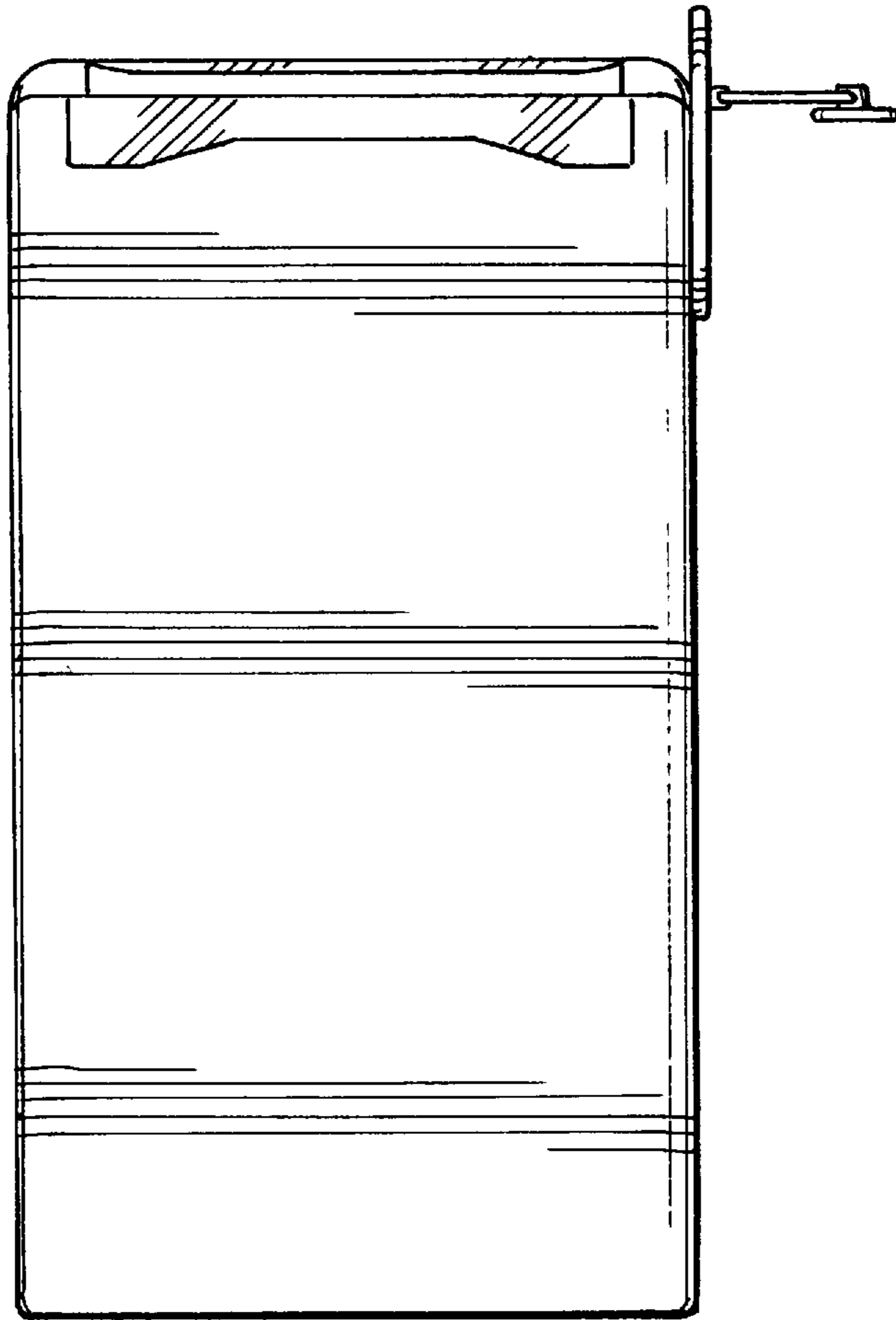


Fig-7