



US00D398615S

United States Patent [19] Rappolt

[11] **Patent Number: Des. 398,615**

[45] **Date of Patent: **Sep. 22, 1998**

[54] **3-WHEELED ATTACHMENT FOR A BRUSH CUTTER**

[76] Inventor: **Peter L. Rappolt**, 97 Woorarra Avenue, Elanora Heights, New South Wales, Australia

[**] Term: **14 Years**

[21] Appl. No.: **58,514**

[22] Filed: **Aug. 16, 1996**

[51] **LOC (6) Cl. 15-03**

[52] **U.S. Cl. D15/17**

[58] **Field of Search D8/8; D15/10, D15/14, 16, 17, 28; 56/12.1, 12.7, 16.7, 17.1**

[56] **References Cited**

U.S. PATENT DOCUMENTS

D. 285,079	8/1986	Huthmacher	D15/14
D. 356,583	3/1995	Cordova	D15/17
D. 357,690	4/1995	Gobel	D15/14
4,182,100	1/1980	Letter	56/16.7
4,411,126	10/1983	Lowry et al.	56/17.5
4,442,659	4/1984	Enbusk	56/12.7
4,512,143	4/1985	Jimenez	56/16.7
4,531,350	7/1985	Huthmacher	56/17.5
4,688,376	8/1987	Wolfe, Sr.	56/16.7
4,704,849	11/1987	Gilbert et al.	56/16.9
4,796,415	1/1989	Moore	56/16.9
4,922,694	5/1990	Emoto	56/16.7

4,936,886	6/1990	Quillen	56/16.7
5,092,112	3/1992	Buckendorf, Jr.	56/17.5
5,408,816	4/1995	Cartier	56/12.7
5,471,824	12/1995	Neely	56/12.7

FOREIGN PATENT DOCUMENTS

16644/76	8/1979	Australia .
47346/79	11/1979	Australia .
66524/81	8/1981	Australia .
78500/81	7/1982	Australia .
70542/81	11/1982	Australia .
43442/85	12/1985	Australia .
52714/93	7/1994	Australia .

Primary Examiner—Sandra L. Morris
Attorney, Agent, or Firm—Welsh & Katz, Ltd.

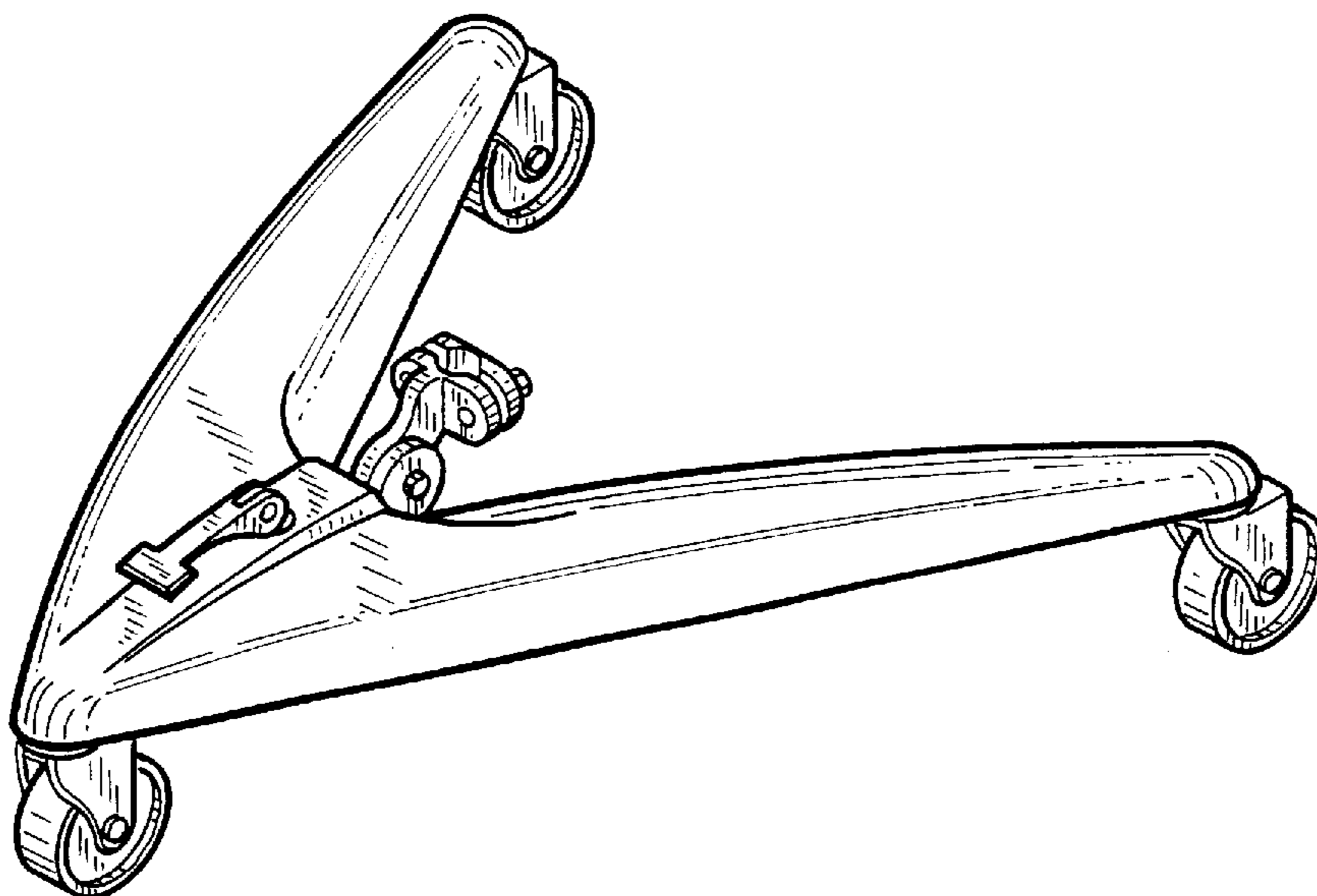
[57] **CLAIM**

The ornamental design for a 3-wheeled attachment for a brush cutter, as shown and described.

DESCRIPTION

FIG. 1 is a top plan view of a 3-wheeled attachment for a brush cutter showing my new design; FIG. 2 is a bottom plan view thereof; FIG. 3 is a left side view thereof; FIG. 4 is a right side view thereof; FIG. 5 is a rear view thereof; FIG. 6 is a front view thereof; and, FIG. 7 is a perspective view of the 3-wheeled attachment for a brush cutter of FIG. 1.

1 Claim, 3 Drawing Sheets



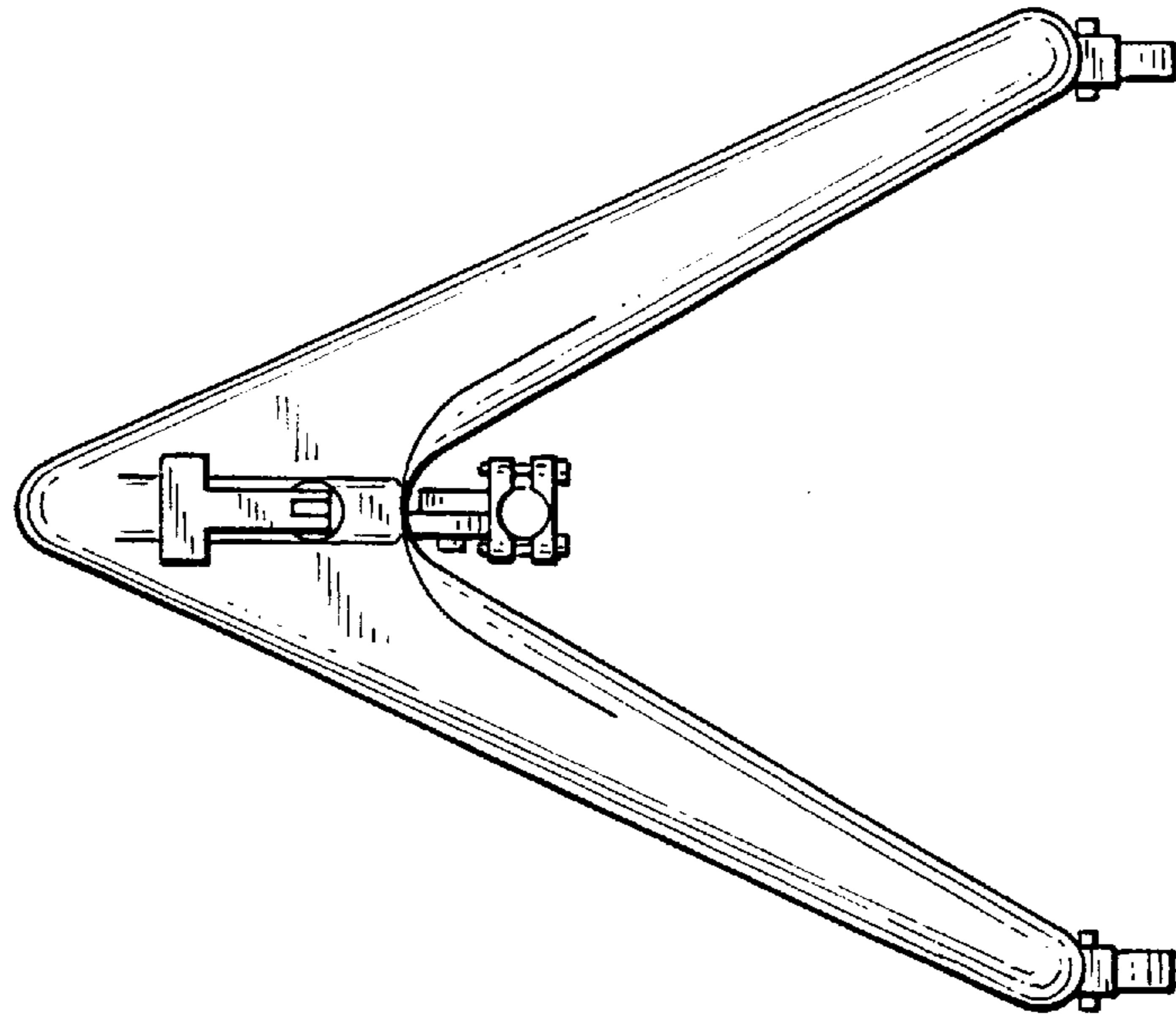


FIG. 1

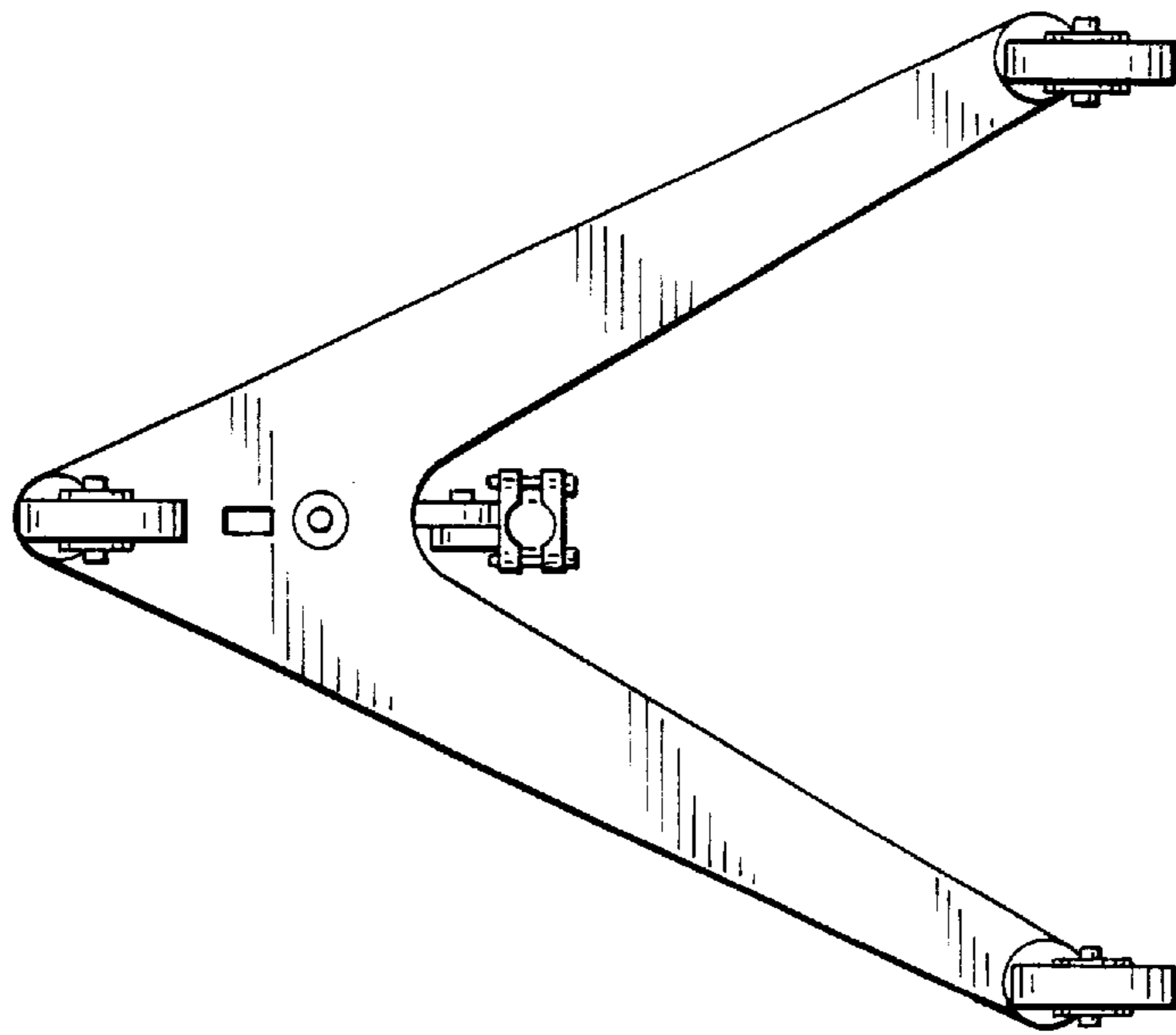


FIG. 2

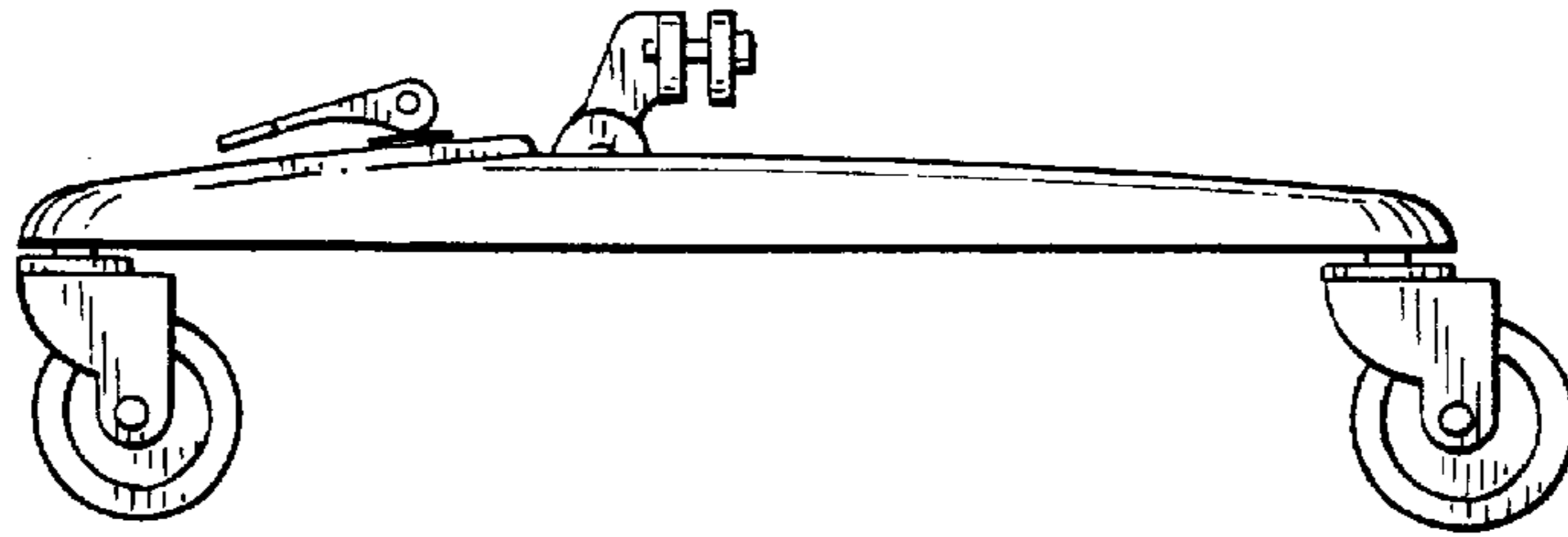


FIG. 3

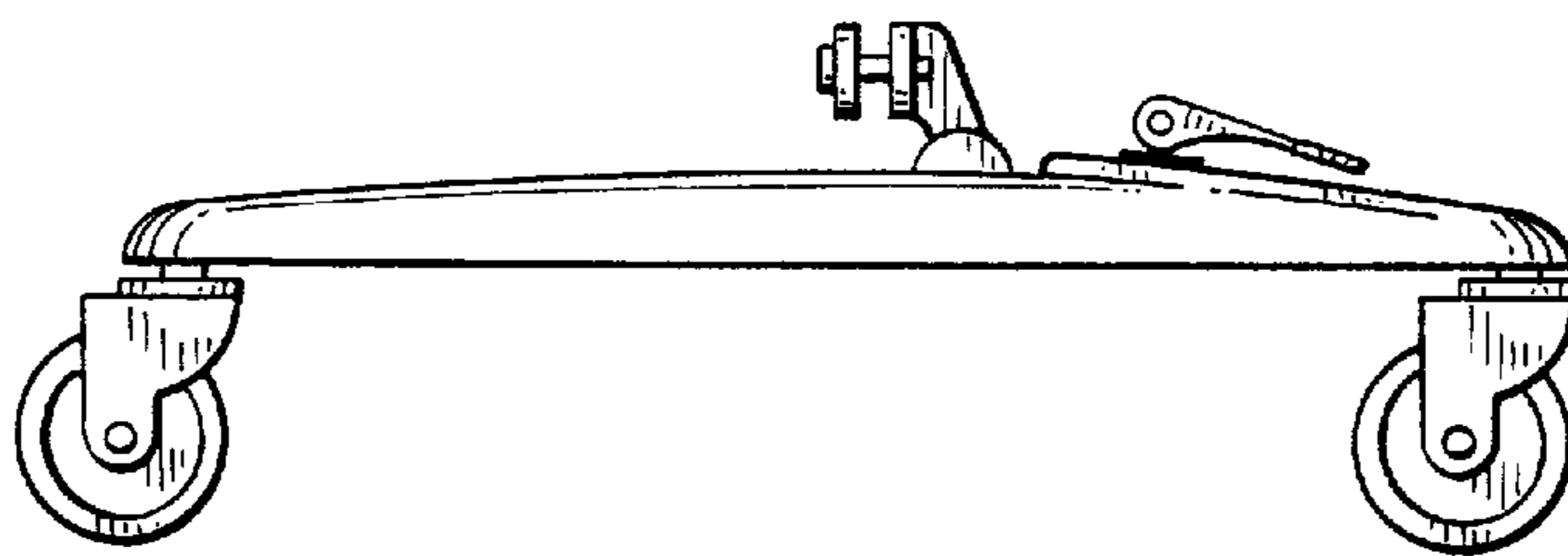


FIG. 4

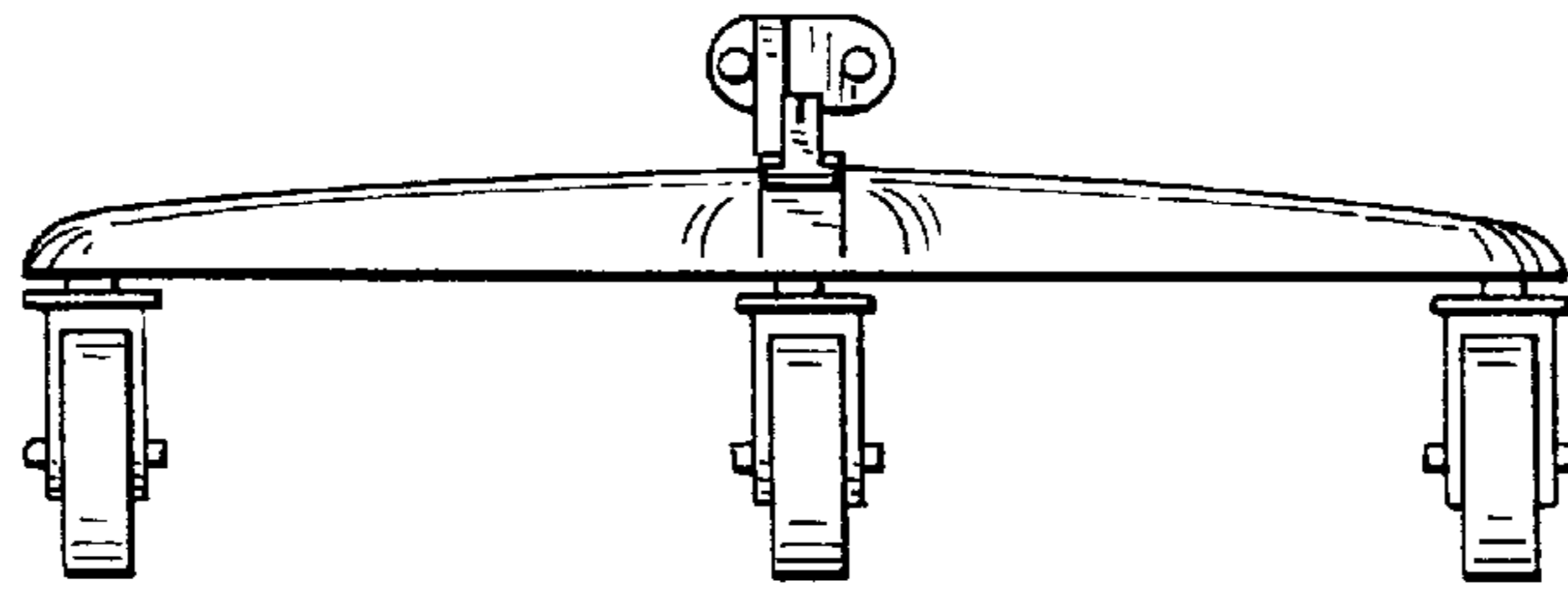


FIG. 5

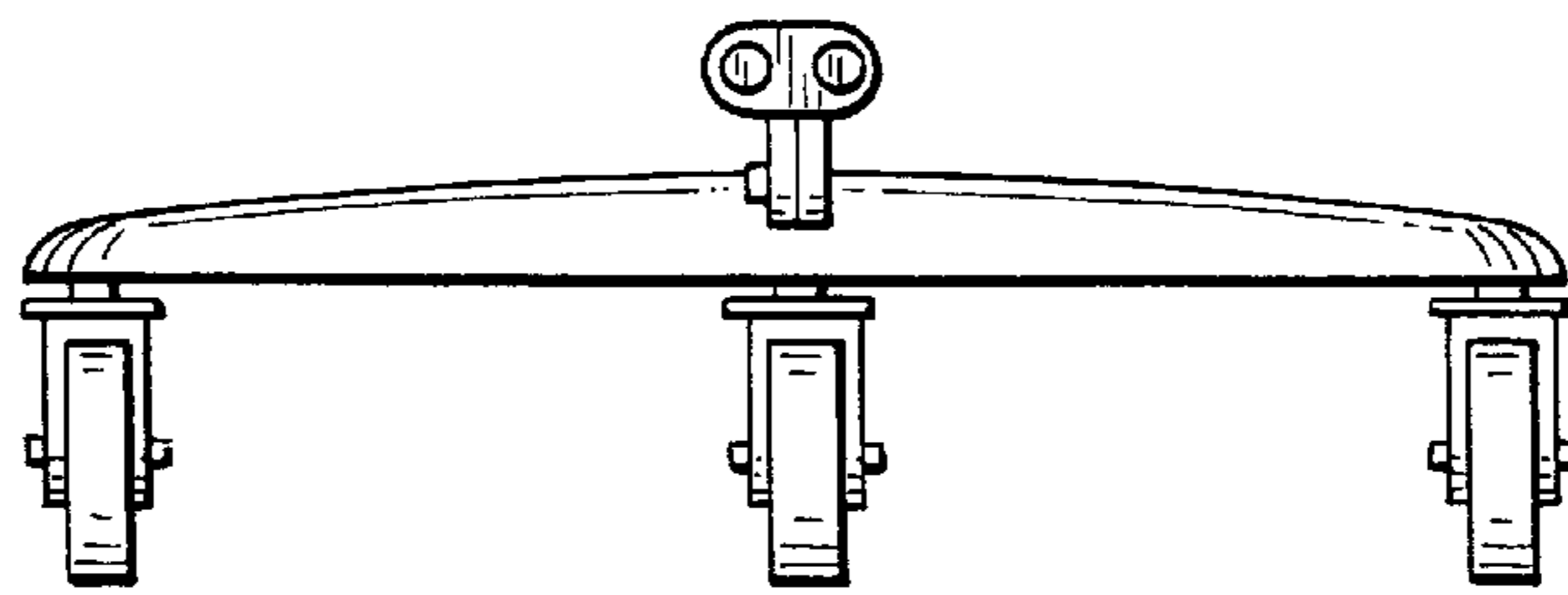


FIG. 6

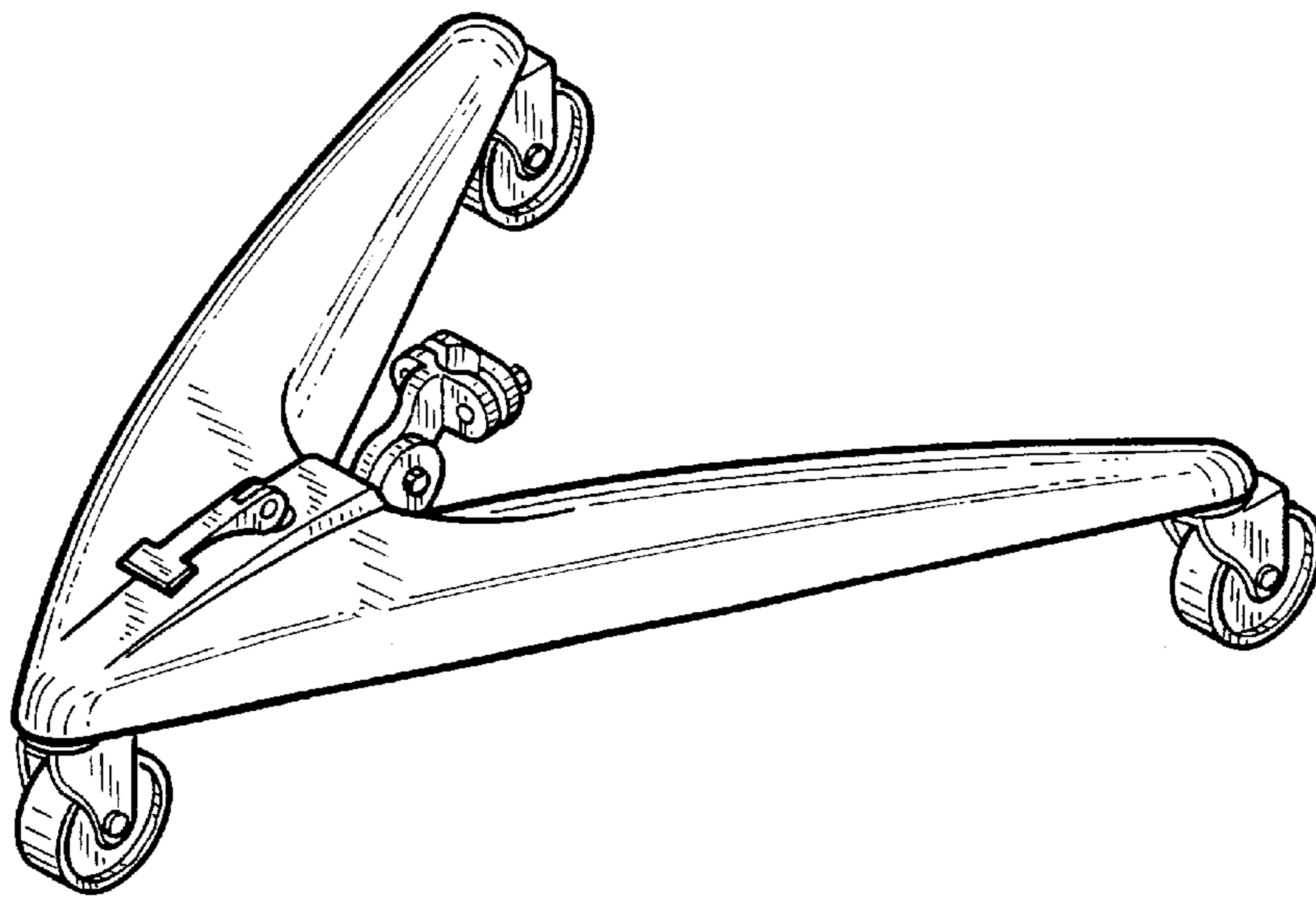


FIG. 7