



US00D398614S

United States Patent [19] Kartinen

[11] **Patent Number: Des. 398,614**

[45] **Date of Patent: **Sep. 22, 1998**

[54] **PORTABLE SELF-CONTAINED
EMERGENCY WATER PUMP DOLLY**

5,213,480 5/1993 Yedinak et al. 417/234
5,244,351 9/1993 Arnette 417/234
5,700,137 12/1997 Simonette 417/234

[76] Inventor: **Harry Kartinen**, 3201 Oakgrove Rd.,
Los Alamitos, Calif. 90720

Primary Examiner—Ralf Seifert
Attorney, Agent, or Firm—Fulwider Patton Lee & Utecht,
LLP

[**] Term: **14 Years**

[21] Appl. No.: **71,637**

[57] **CLAIM**

[22] Filed: **Jun. 5, 1997**

The ornamental design for a portable self-contained emergency water pump dolly, as shown and described.

[51] **LOC (6) Cl.** **15-02**

[52] **U.S. Cl.** **D15/7**

[58] **Field of Search** D15/7, 8, 9; 417/234,
417/411, 415; 239/722; 137/355.12

DESCRIPTION

[56] **References Cited**

U.S. PATENT DOCUMENTS

D. 77,851 2/1929 Michelin D15/9
D. 223,039 2/1972 Widmor D15/7
4,671,315 6/1987 Gardner 137/355.12
5,147,182 9/1992 Timmons 417/234

FIG. 1 is a front view of a portable self-contained emergency water pump dolly incorporating my new design;
FIG. 2 is a top view thereof;
FIG. 3 is a back view thereof;
FIG. 4 is a bottom plan view thereof;
FIG. 5 is a right side view thereof; and,
FIG. 6 is a left side view thereof.

1 Claim, 3 Drawing Sheets

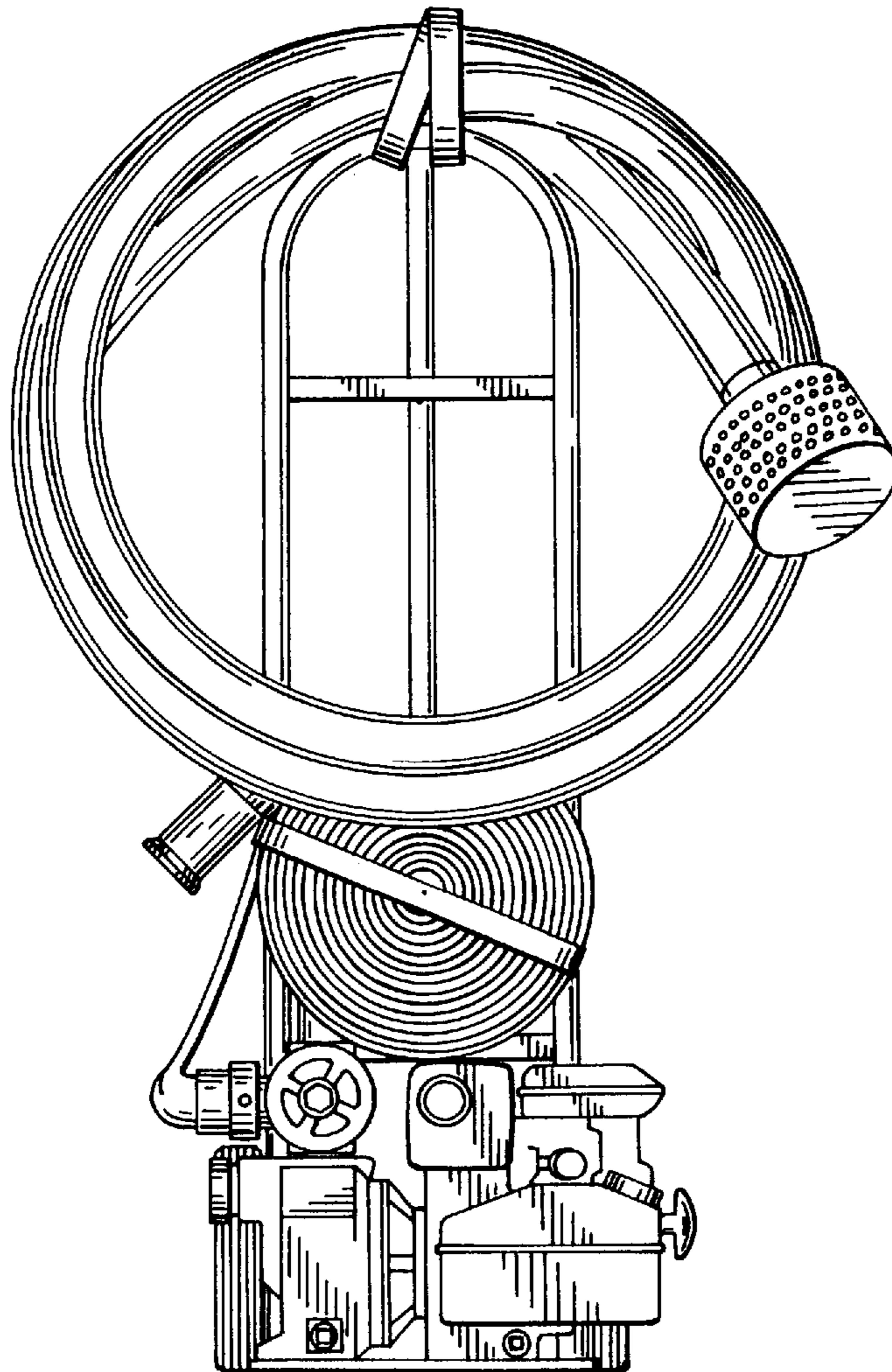


FIG. 1

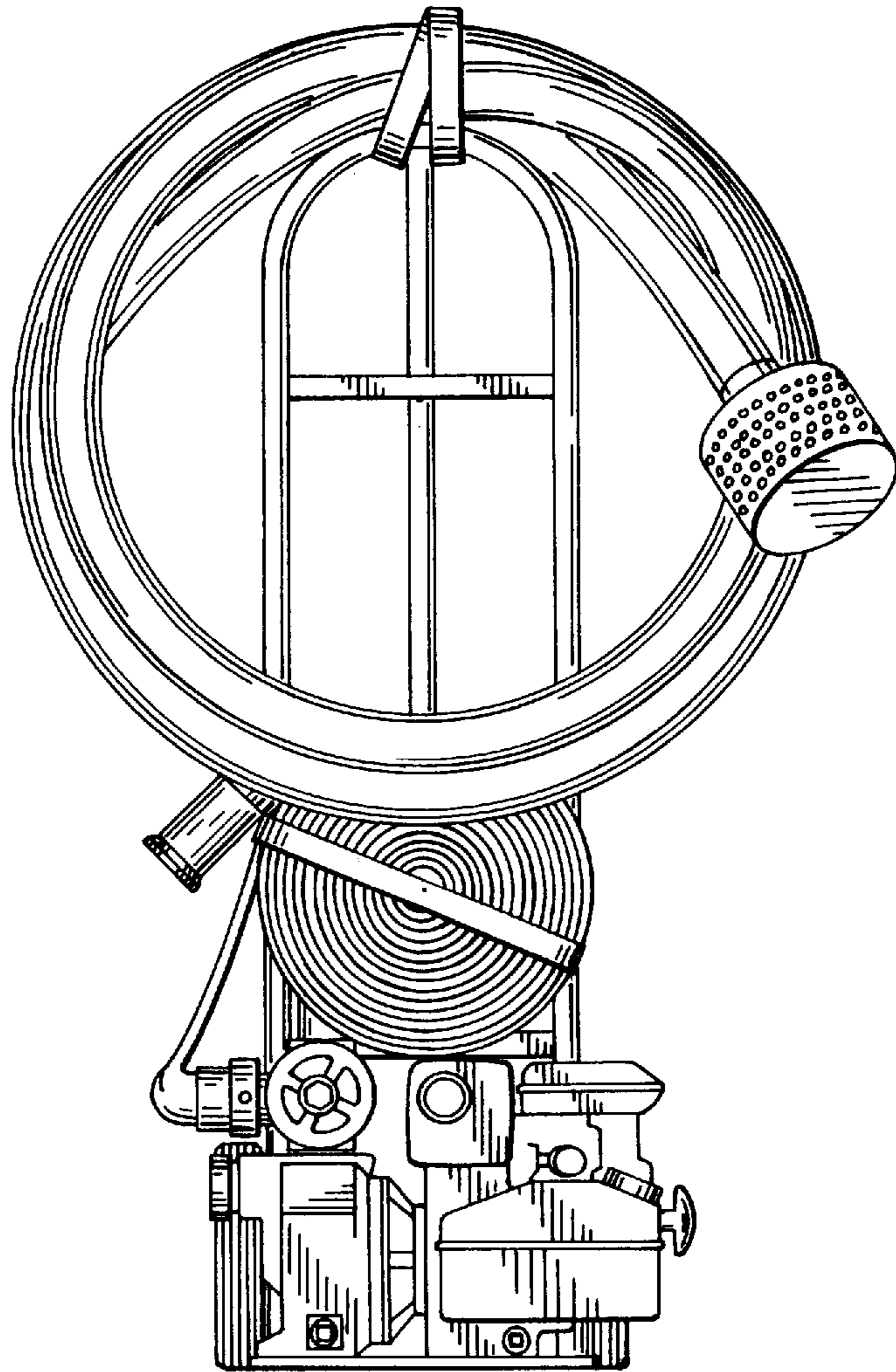


FIG. 2

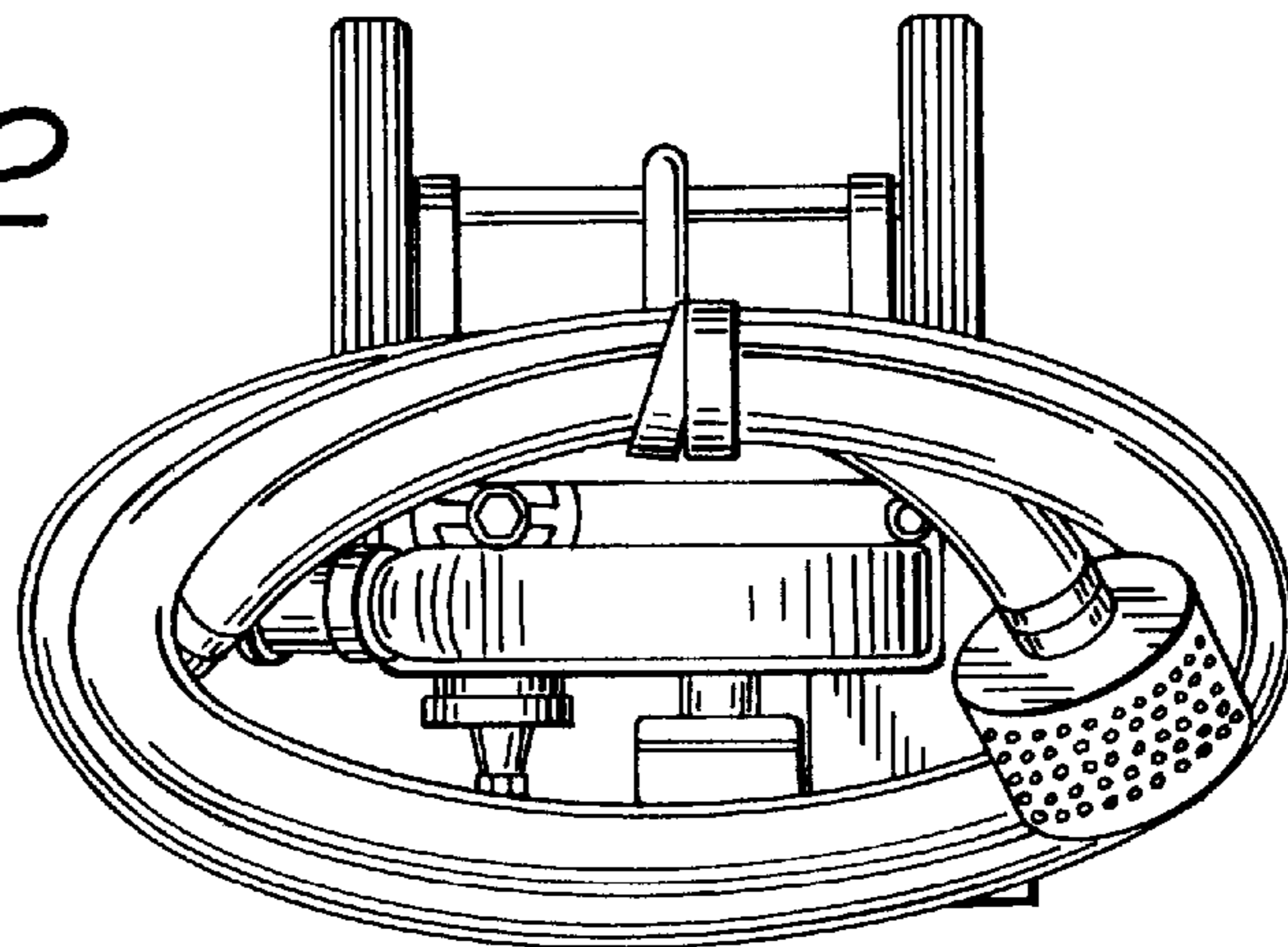


FIG. 3

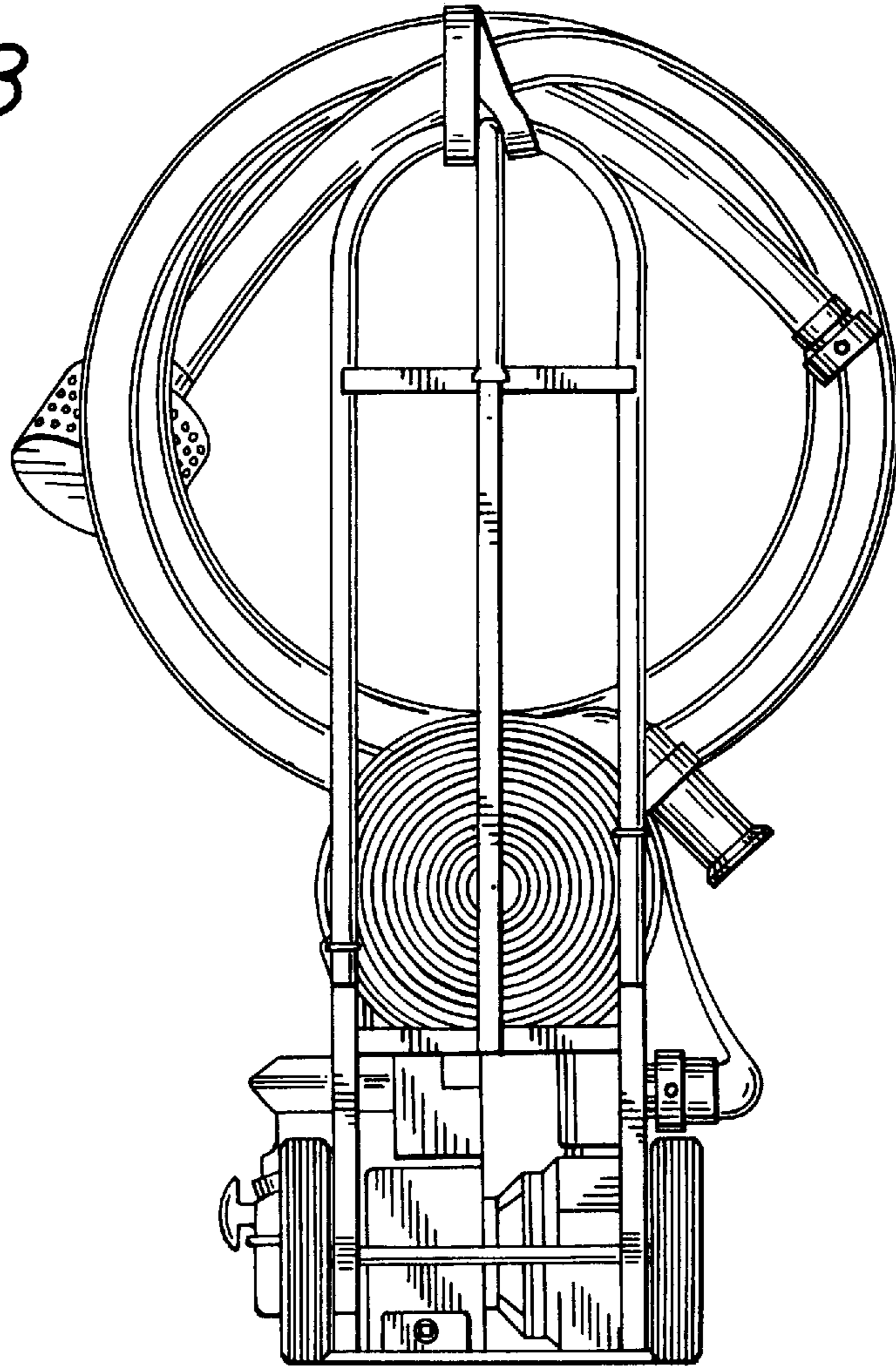
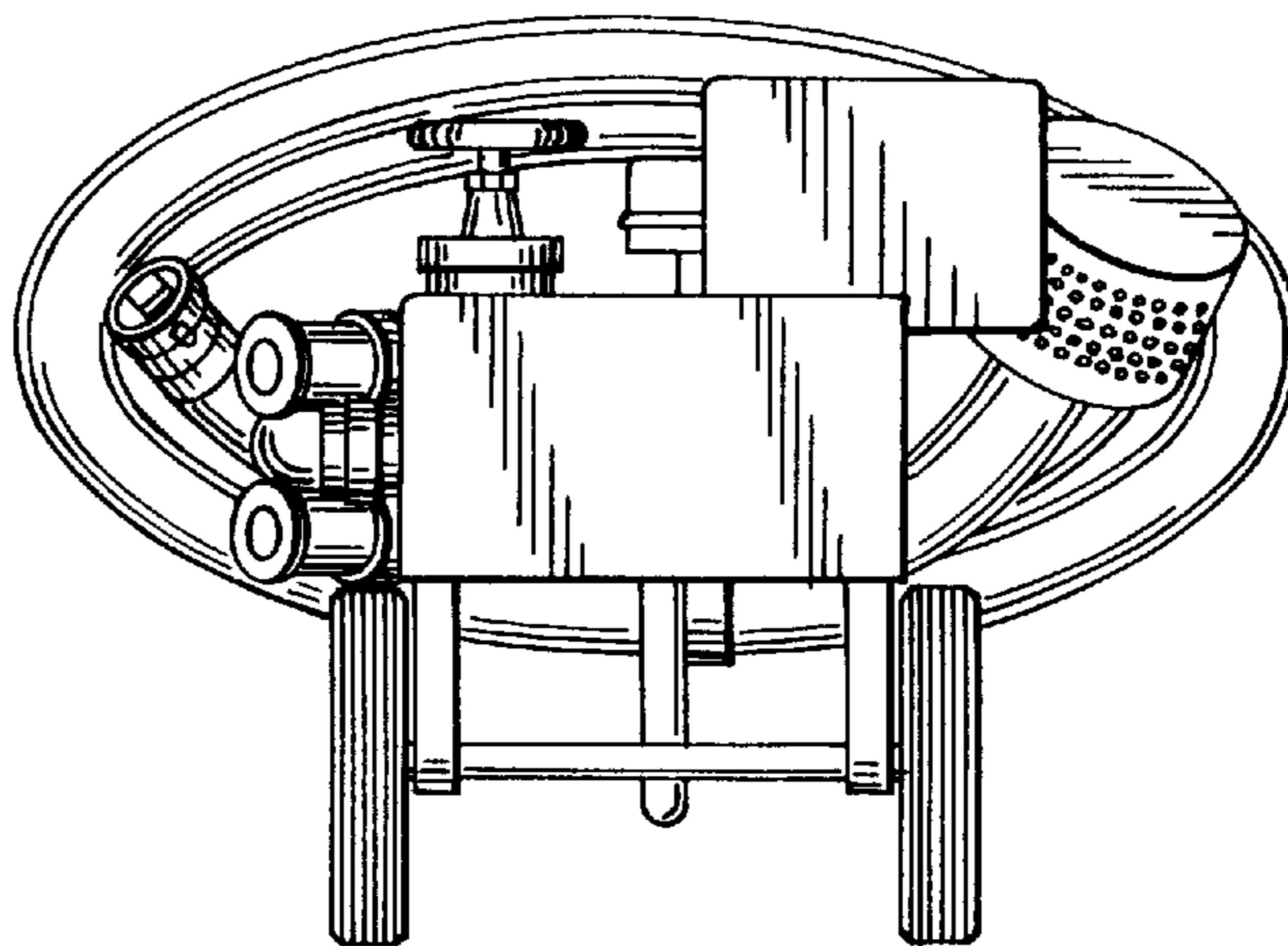


FIG. 4



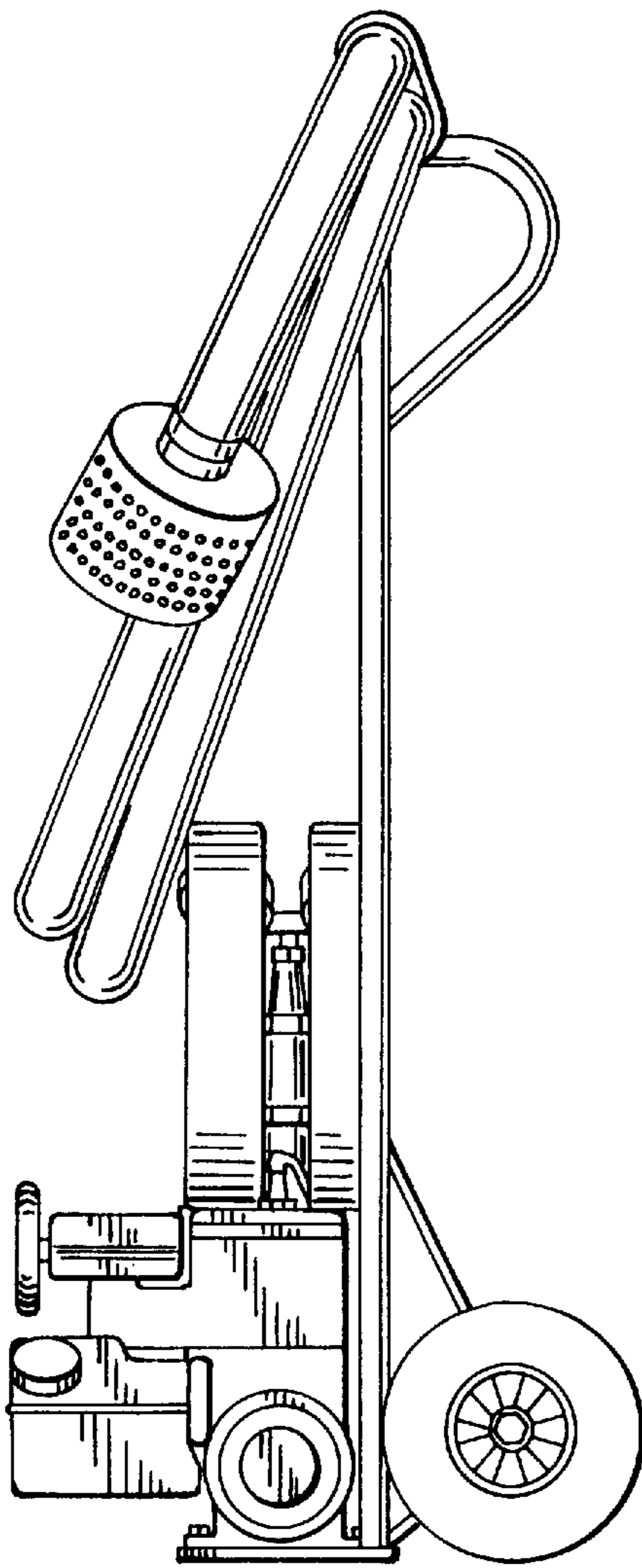


FIG. 5

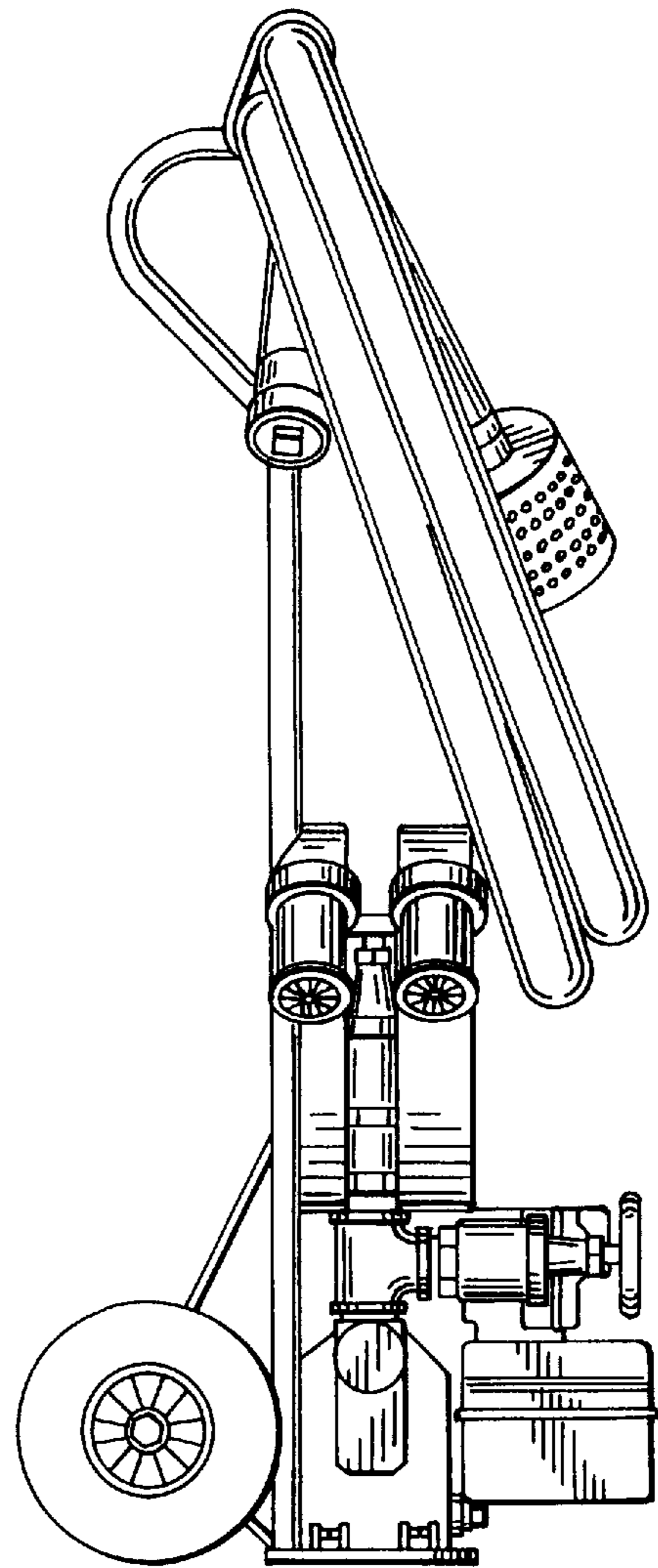


FIG. 6