



US00D398611S

United States Patent [19] Read

[11] **Patent Number: Des. 398,611**

[45] **Date of Patent: **Sep. 22, 1998**

[54] **COMBINED WIRELESS ANTENNA AND STAND**

D. 350,963 9/1994 Witzky D14/230
D. 354,060 1/1995 Witzky D14/230
D. 356,572 3/1995 Prince D14/230

[75] Inventor: **Clifford D. Read**, Stittsville, Canada

Primary Examiner—Ruth McInroy
Attorney, Agent, or Firm—R. J. Austin

[73] Assignee: **Northern Telecom Limited**, Montreal, Canada

[**] Term: **14 Years**

[57] **CLAIM**

The ornamental design for a combined wireless antenna and stand, as shown and described.

[21] Appl. No.: **72,824**

[22] Filed: **Jun. 25, 1997**

DESCRIPTION

[51] **LOC (6) Cl.** **14-03**

FIG. 1 is a front elevational view of a combined wireless antenna and stand showing my new design;

[52] **U.S. Cl.** **D14/230**

FIG. 2 is a rear elevational view thereof;

[58] **Field of Search** D14/230-238,
D14/204, 299; 343/781 R, 824-825, 872-873,
878, 888-890, 907-908, 912, DIG. 2, 713,
715

FIG. 3 is a right hand side view thereof;

FIG. 4 is a left hand side view thereof;

FIG. 5 is a top plan view thereof;

FIG. 6 is a bottom plan view thereof; and,

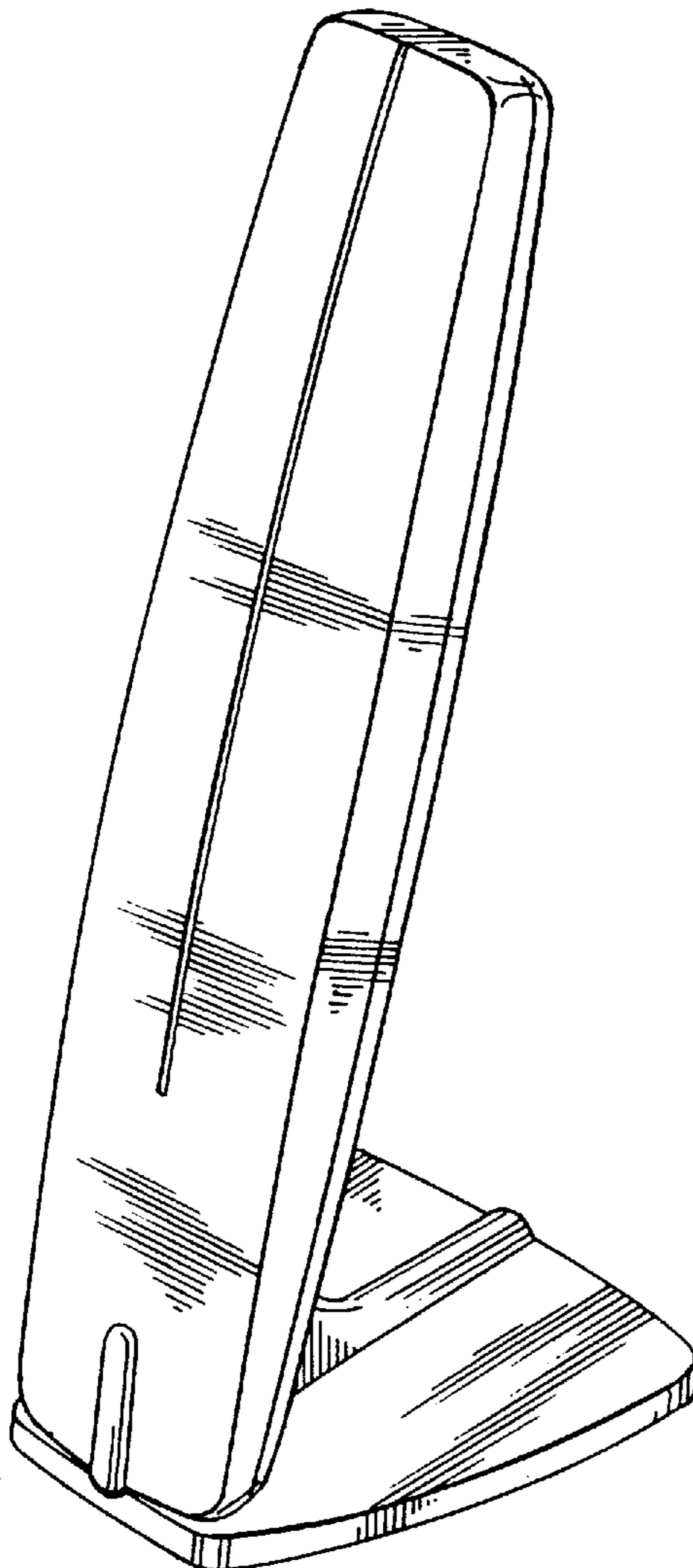
FIG. 7 is front isometric view thereof.

[56] **References Cited**

U.S. PATENT DOCUMENTS

D. 344,731 3/1994 Witzky D14/230

1 Claim, 3 Drawing Sheets



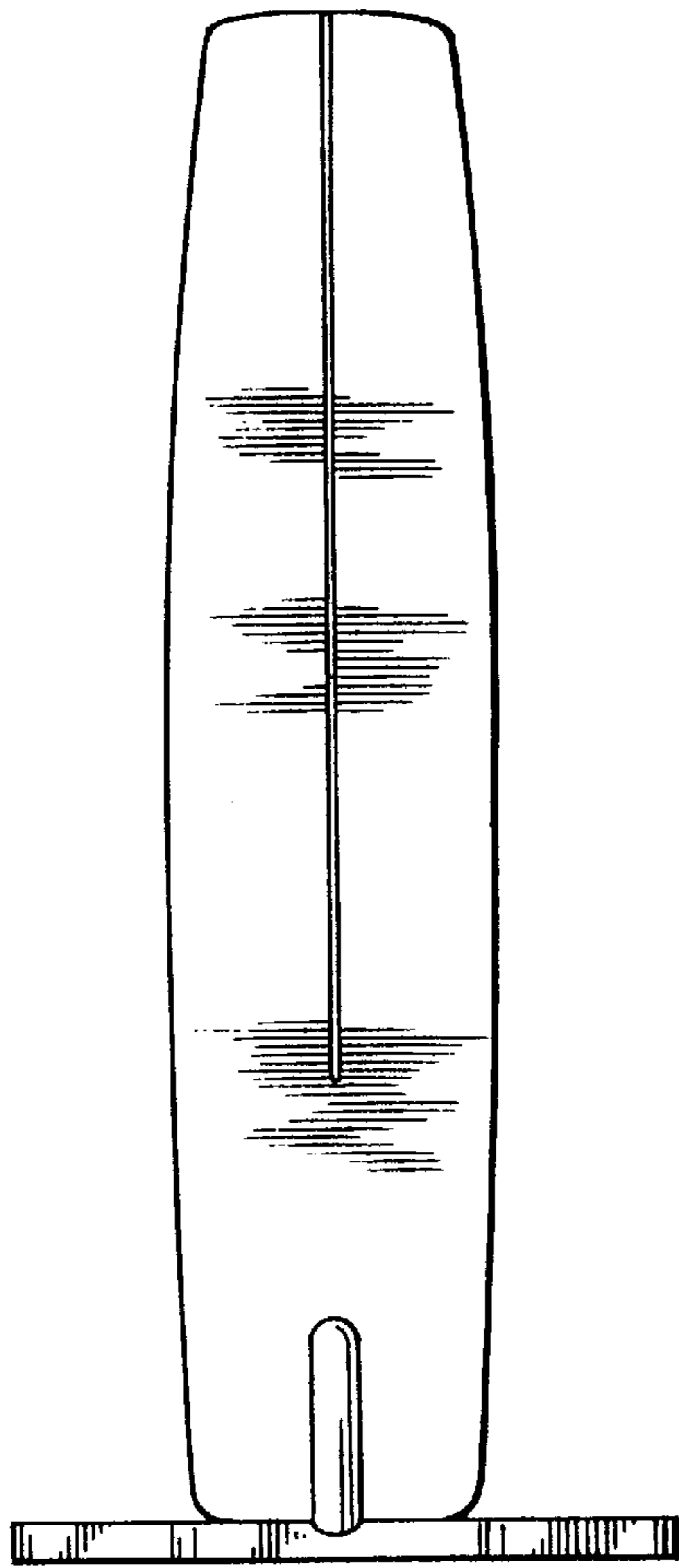


FIG. 1

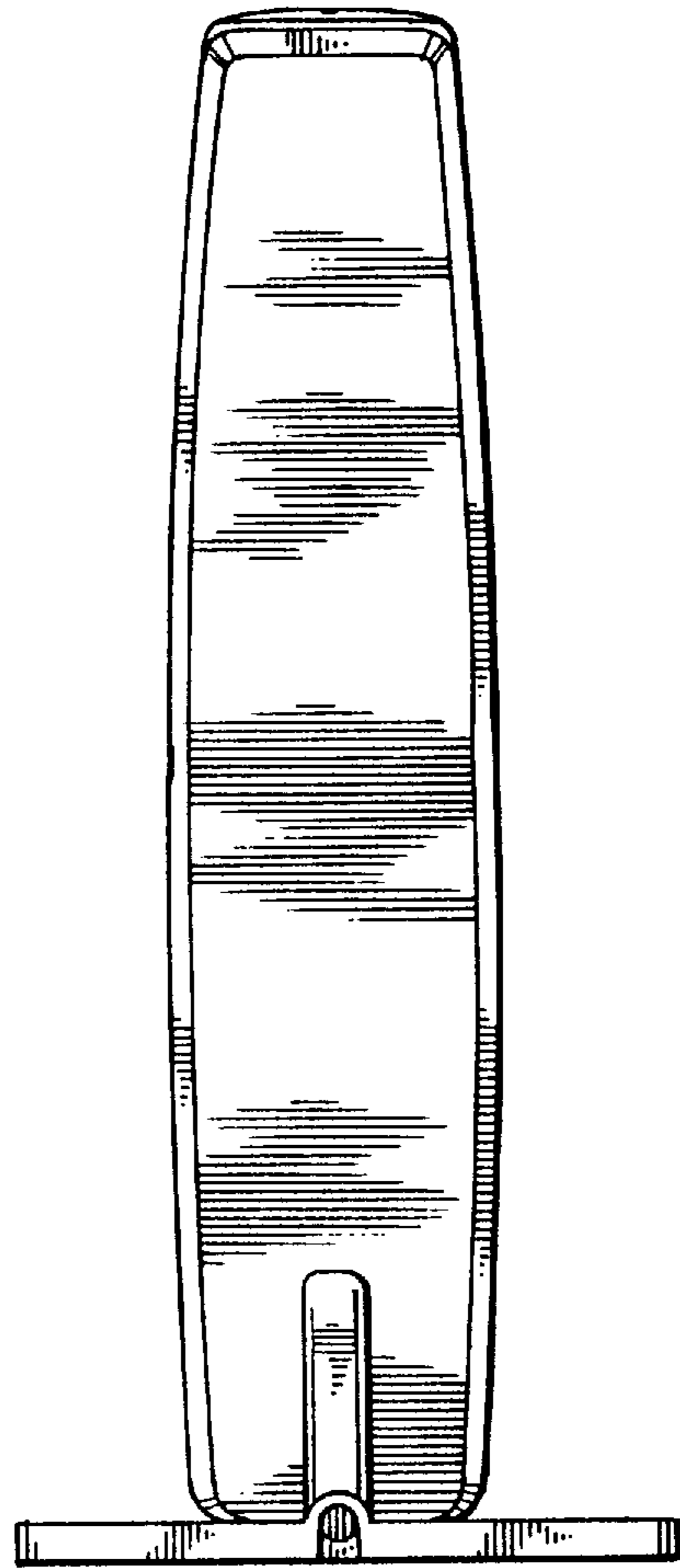


FIG. 2

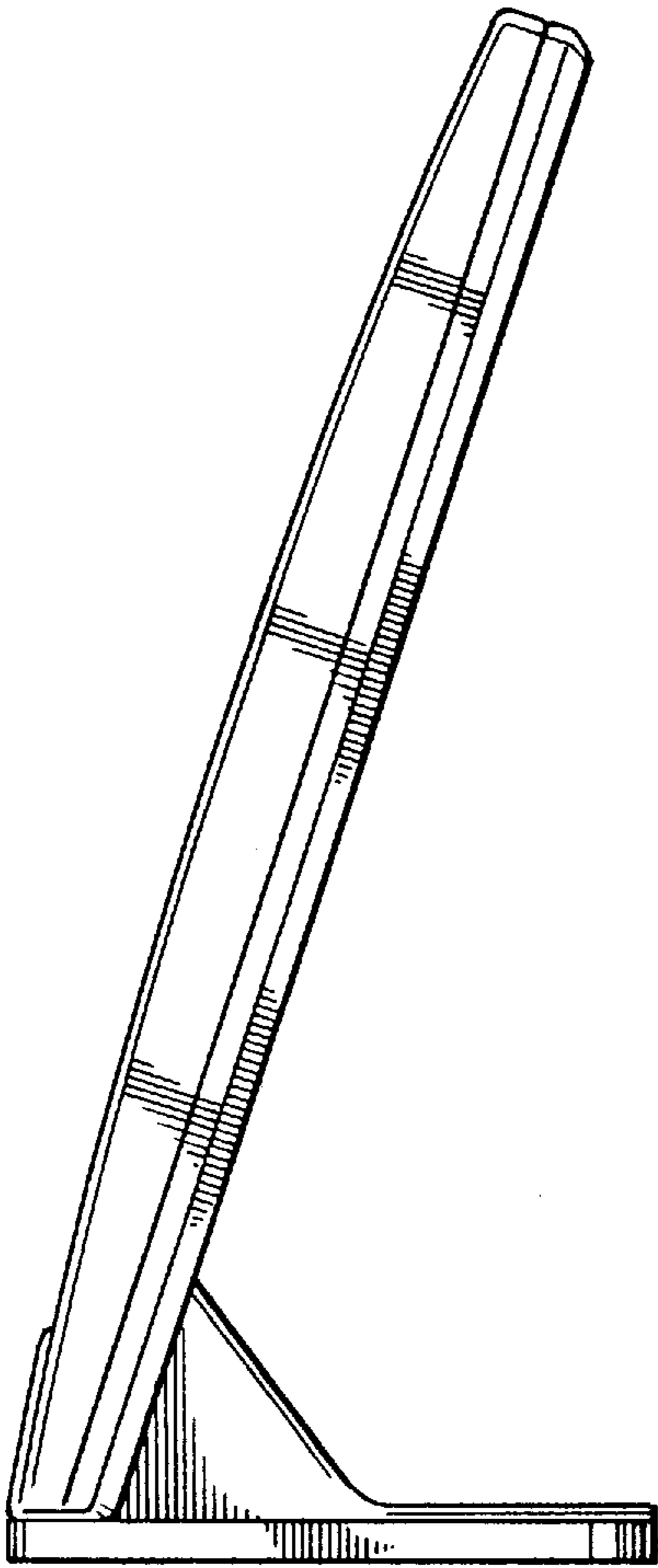


FIG. 3

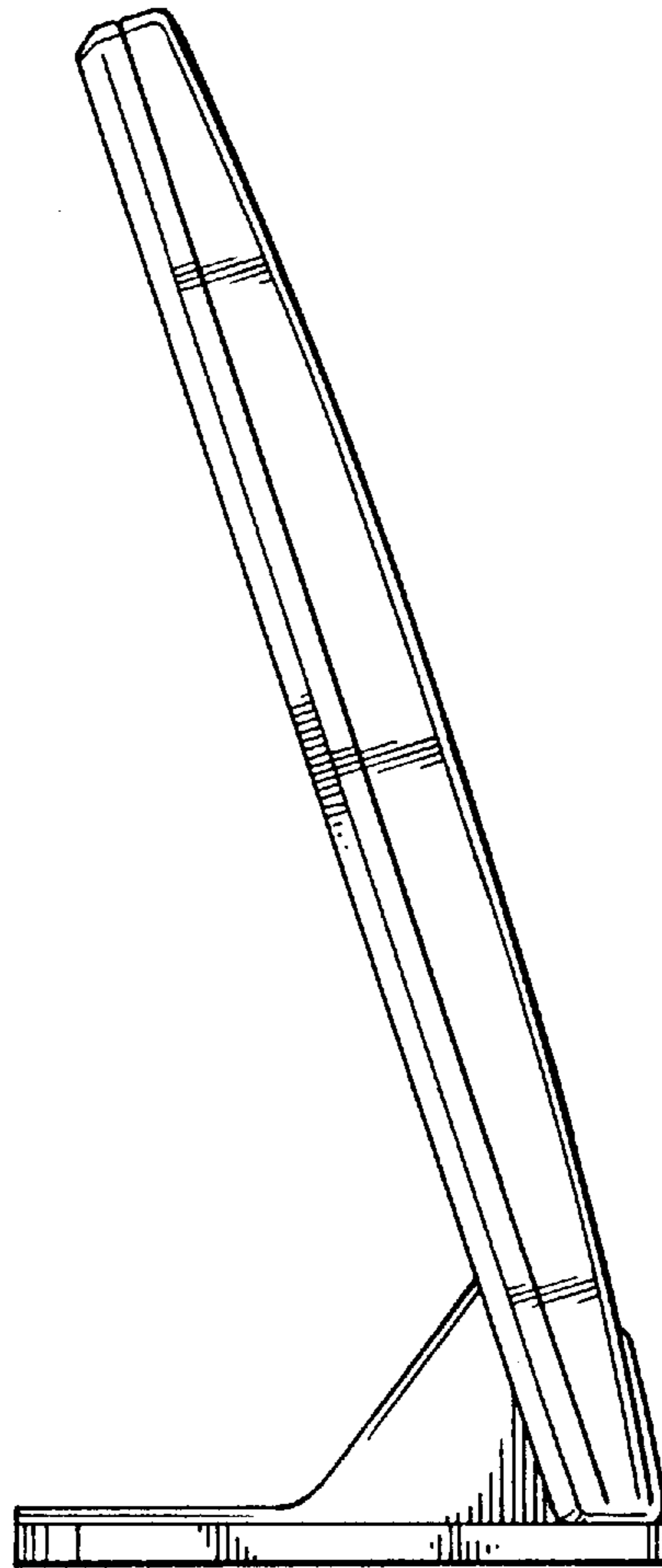


FIG. 4

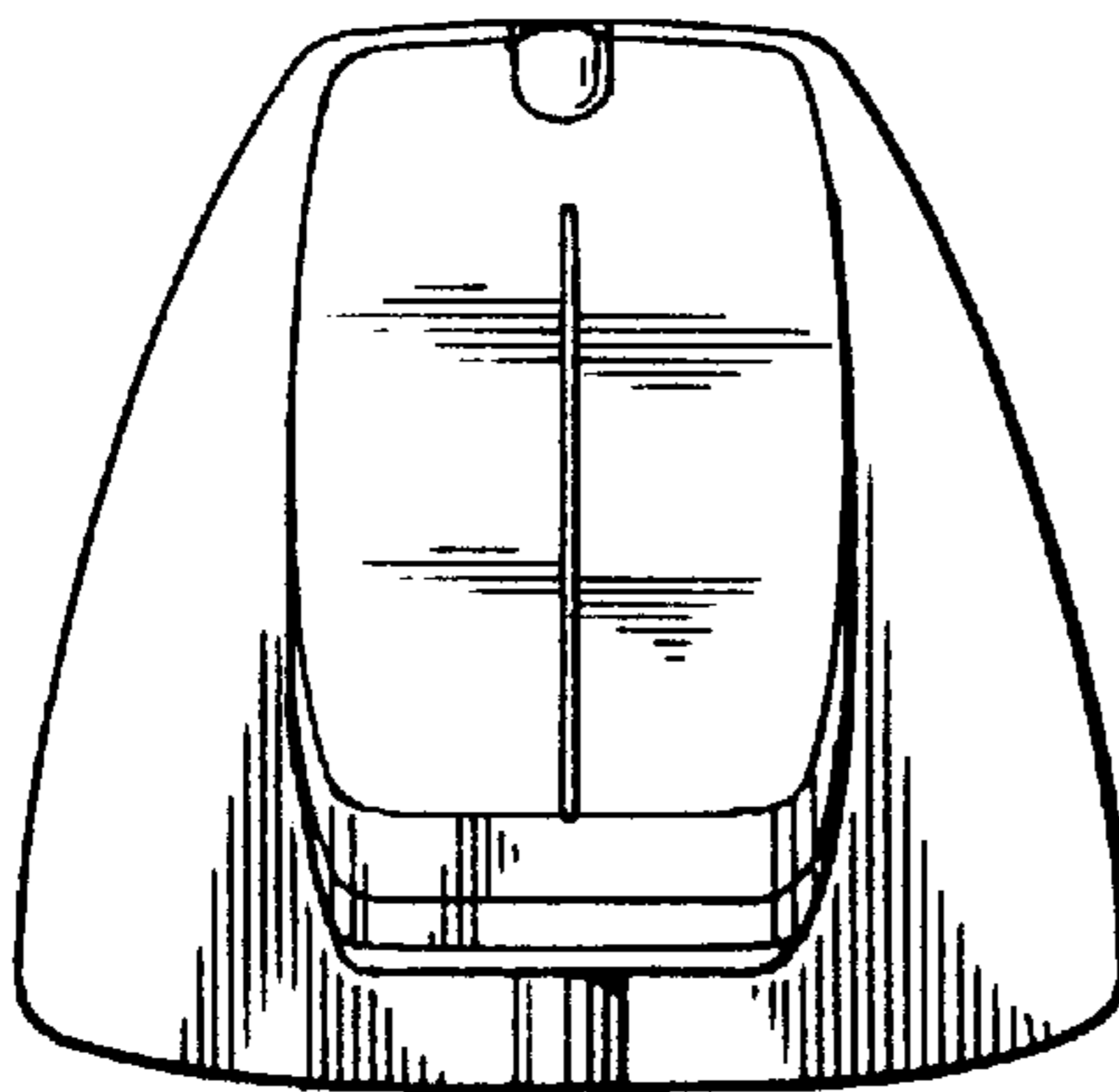


FIG. 5

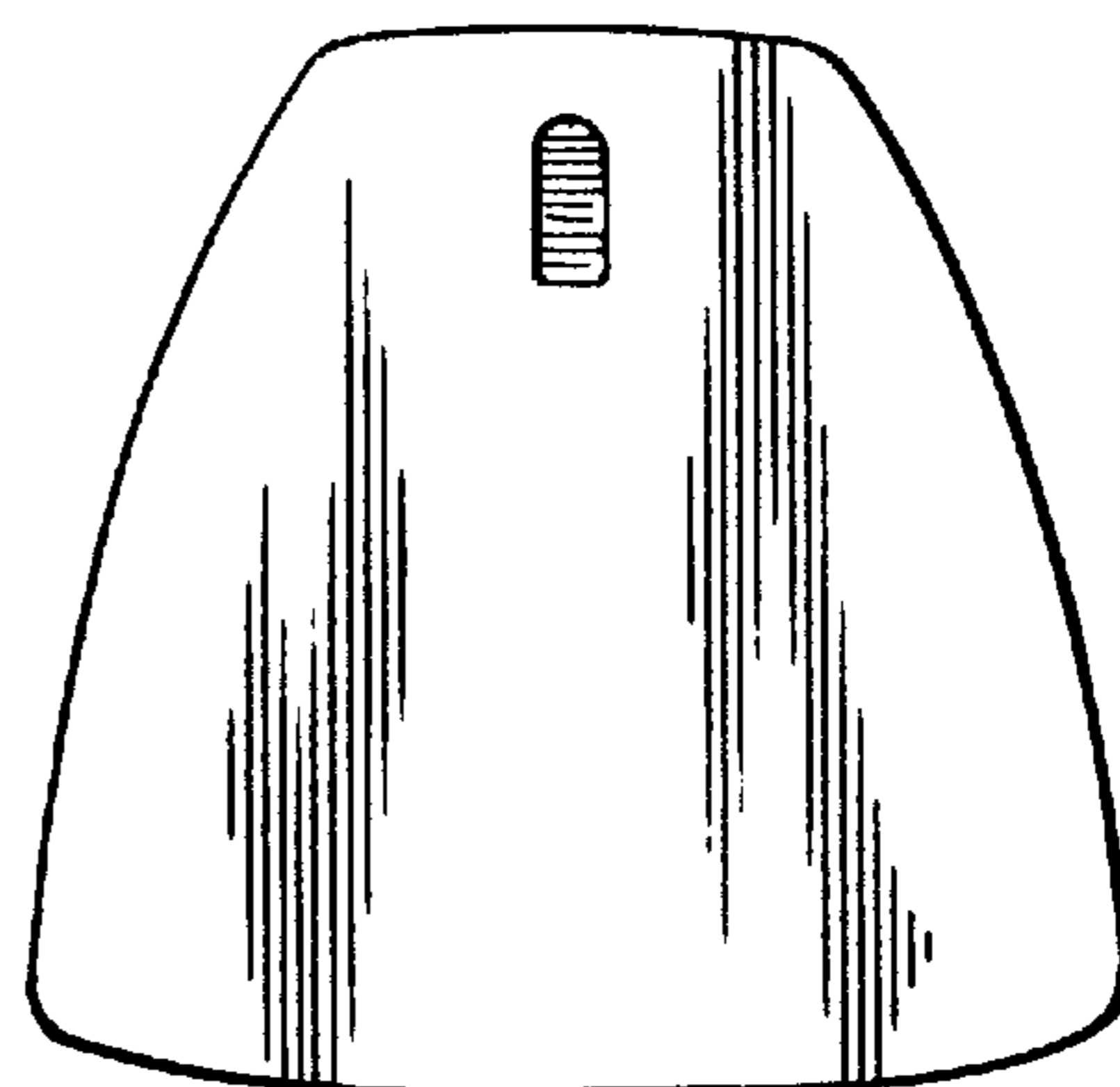


FIG. 6

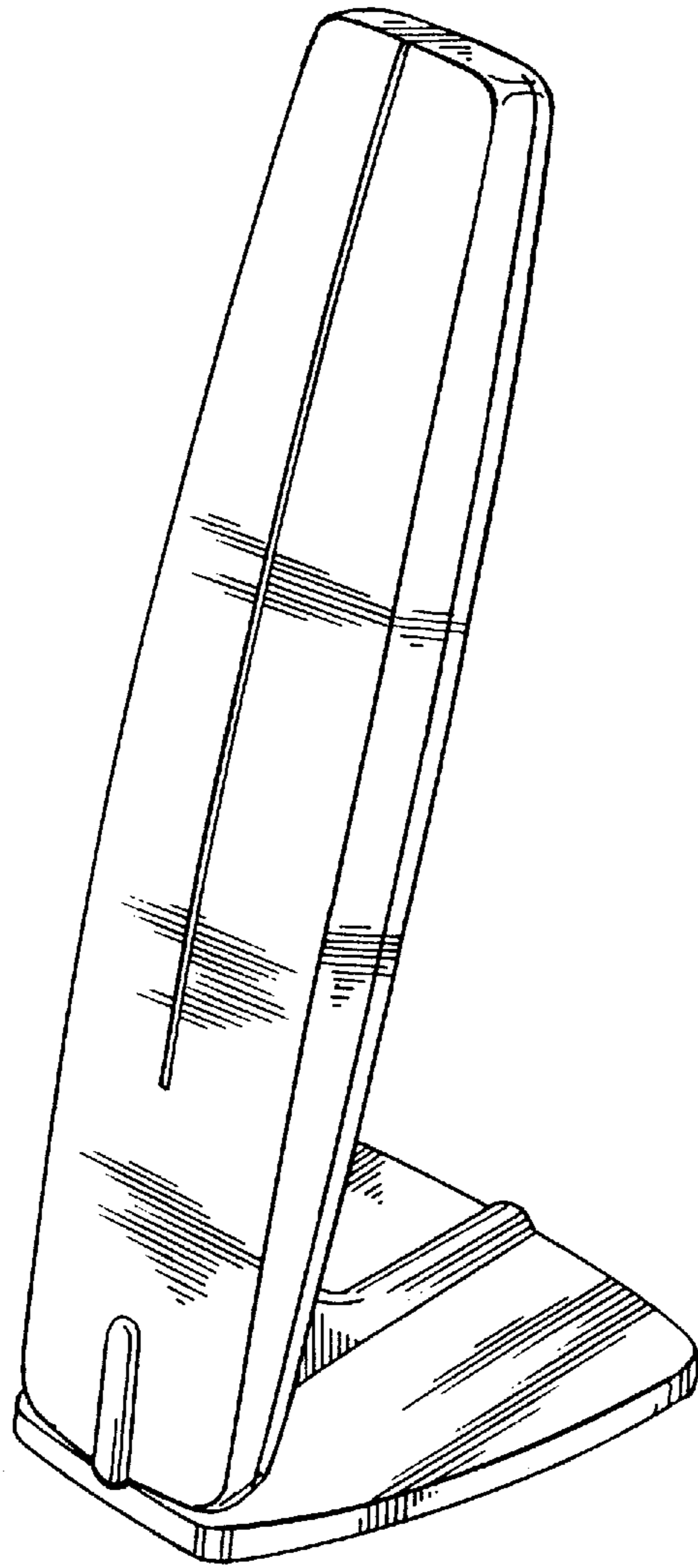


FIG. 7