



US00D398603S

United States Patent [19]
Aoki

[11] **Patent Number: Des. 398,603**

[45] **Date of Patent: **Sep. 22, 1998**

[54] **OPTICAL DISC TRAY**

[75] Inventor: **Sunao Aoki**, Tokyo, Japan

[73] Assignee: **Sony Corporation**, Tokyo, Japan

[**] Term: **14 Years**

[21] Appl. No.: **66,457**

[22] Filed: **Feb. 12, 1997**

[51] **LOC (6) Cl.** **14-02**

[52] **U.S. Cl.** **D14/121; D14/114**

[58] **Field of Search** **D14/100-114,**
D14/121; D13/184; 369/291, 292; 360/133;
206/309

[56] **References Cited**

U.S. PATENT DOCUMENTS

D. 293,507	1/1988	Ogusu	D14/121
D. 299,929	2/1989	Yomo	D14/121
D. 325,468	4/1992	Ohba	D14/114
D. 371,121	6/1996	Hayami et al.	D14/107
5,495,467	2/1996	Tanaka et al.	369/291

Primary Examiner—Kay H. Chin
Attorney, Agent, or Firm—Foley & Lardner

[57] **CLAIM**

The ornamental design for an optical disc tray, as shown and described.

DESCRIPTION

FIG. 1 is a perspective view of a first embodiment of an optical disc tray showing my new design;
 FIG. 2 is a top plan view thereof;
 FIG. 3 is a left side elevational view thereof;
 FIG. 4 is a front elevational view thereof;
 FIG. 5 is a bottom plan view thereof;
 FIG. 6 is a right side elevational view thereof;
 FIG. 7 is a rear elevational view thereof;
 FIG. 8 is a perspective view of a second embodiment of an optical disc tray showing my new design;
 FIG. 9 is a left side elevational view of the embodiment of FIG. 8;

FIG. 10 is a front elevational view of the embodiment of FIG. 8;

FIG. 11 is a right side elevational view of the embodiment of FIG. 8, top and bottom plan views of the embodiment of FIG. 8 are the same as those of the embodiment of FIG. 1;

FIG. 12 is a front elevational view of a third embodiment of an optical disc tray showing my new design, the rest of views of the embodiment of FIG. 12 is the same as those of the embodiment of FIG. 1;

FIG. 13 is a rear elevational view of a fourth embodiment of an optical disc tray showing my new design, the rest of views of the embodiment of FIG. 13 is the same as those of the embodiment of FIG. 1;

FIG. 14 is a rear elevational view of a fifth embodiment of an optical disc tray showing my new design, the rest of views of the embodiment of FIG. 14 is the same as those of the embodiment of FIG. 1;

FIG. 15 is a rear elevational view of a sixth embodiment of an optical disc tray showing my new design, the rest of views of the embodiment of FIG. 15 is the same as those of the embodiment of FIG. 1;

FIG. 16 is a rear elevational view of a seventh embodiment of an optical disc tray showing my new design, the rest of views of the embodiment of FIG. 16 is the same as those of the embodiment of FIG. 1;

FIG. 17 is a perspective view of an eighth embodiment of an optical disc tray showing my new design;

FIG. 18 is a top plan view of the embodiment of FIG. 17;

FIG. 19 is a left side elevational view of the embodiment of FIG. 17;

FIG. 20 is a front elevational view of the embodiment of FIG. 17;

FIG. 21 is a bottom plan view of the embodiment of FIG. 17;

FIG. 22 is a right side elevational view of the embodiment of FIG. 17;

FIG. 23 is a rear elevational view of the embodiment of FIG. 17;

FIG. 24 is a reference perspective view of an optical disc tray of the embodiment of FIG. 1, wherein the optical disc tray having an optical disc placed thereon is inserted into a case having a transparent surface; and,

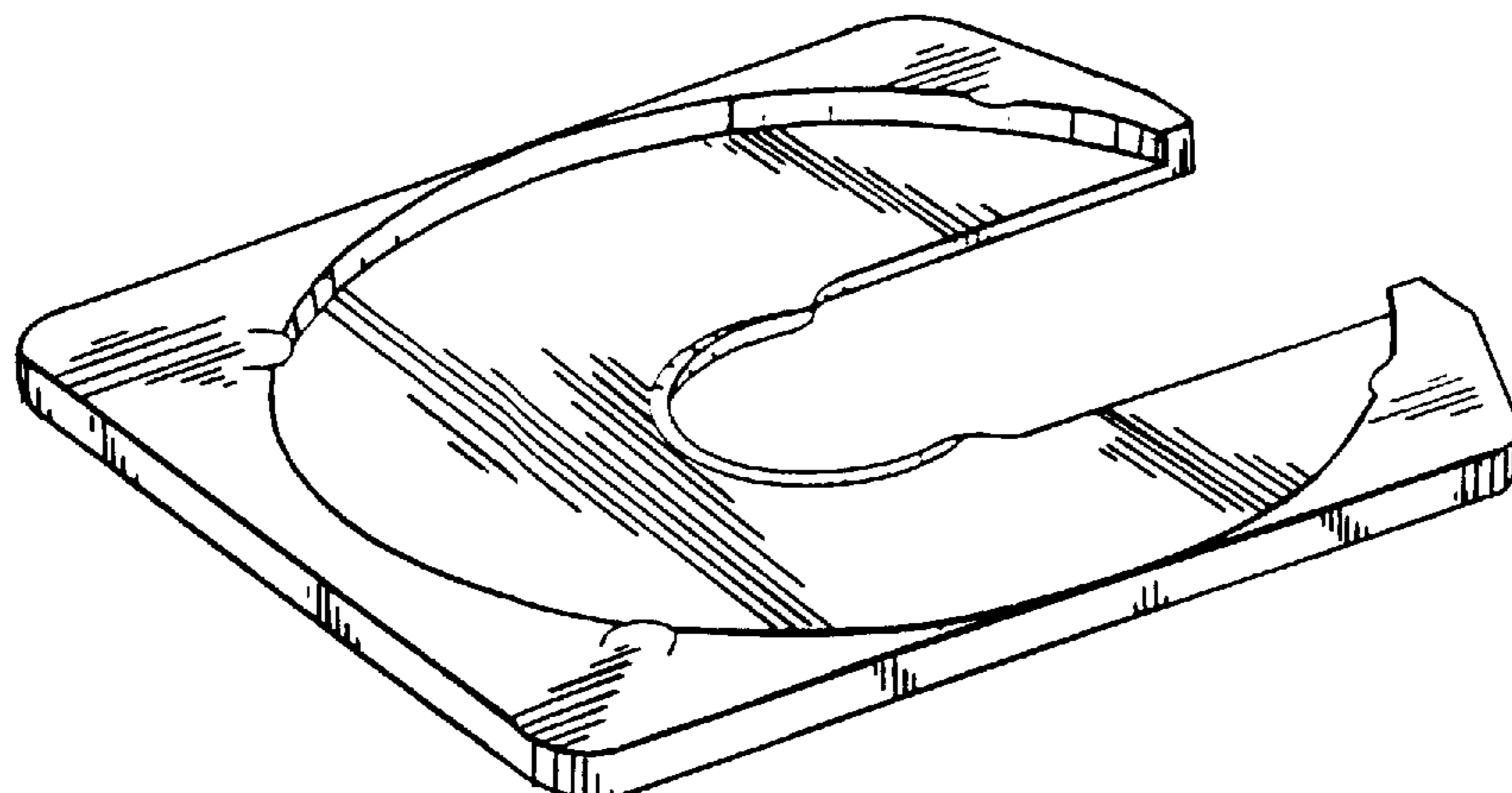


FIG. 25 is a reference perspective view of an optical disc tray of FIG. 1, wherein the optical disc tray having an optical disc placed thereon is inserted into an optical disc recorder or reader.

The broken lines shown in FIGS. 24 and 25 (a disc, disc case or disc recorder/reader) are for illustrative purposes only and form no part of claimed design.

1 Claim, 11 Drawing Sheets

FIG. 24

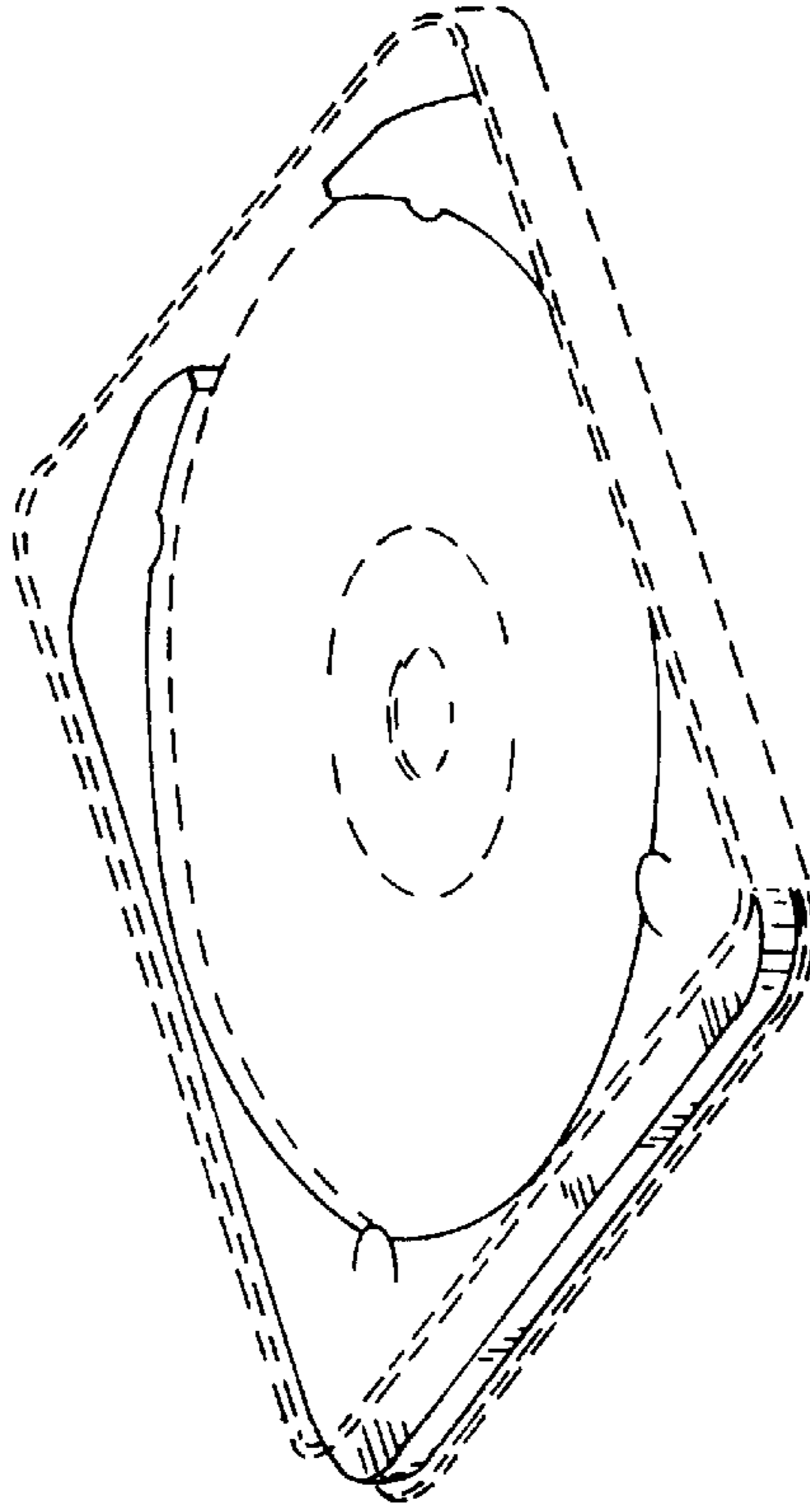


FIG. 1

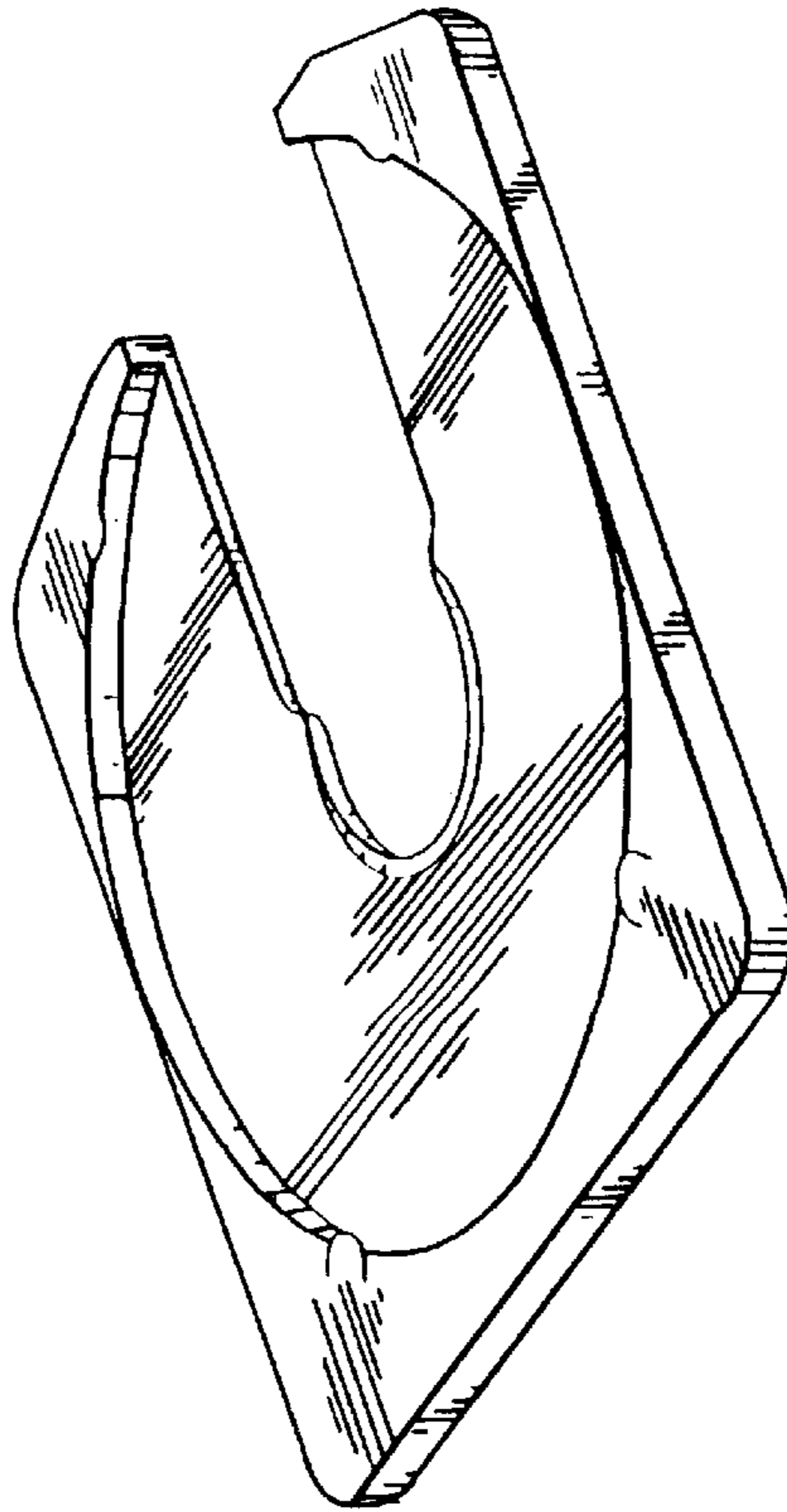


FIG. 2



FIG. 3



FIG. 4

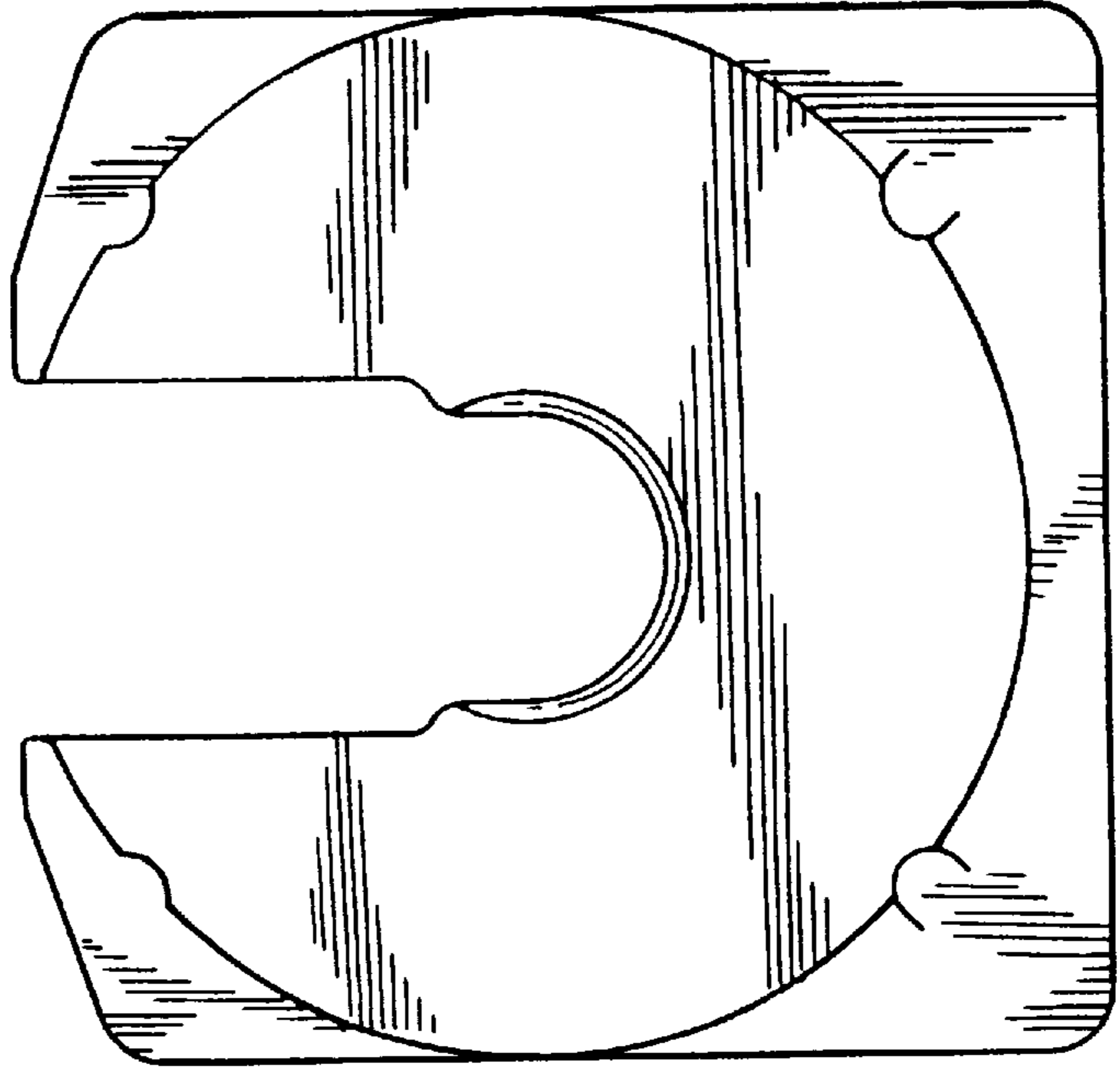


FIG. 7

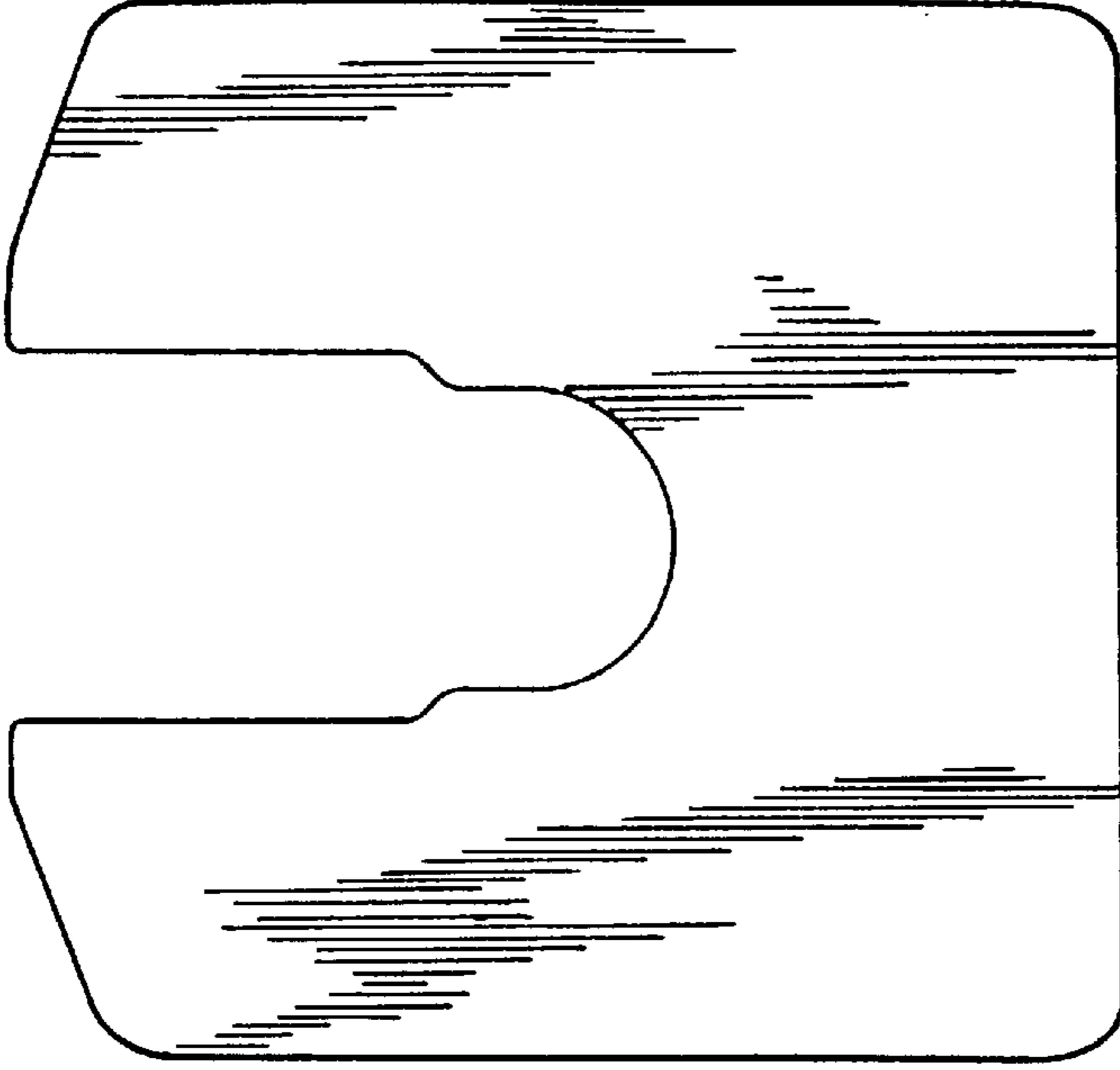


FIG. 6



FIG. 5



FIG. 17

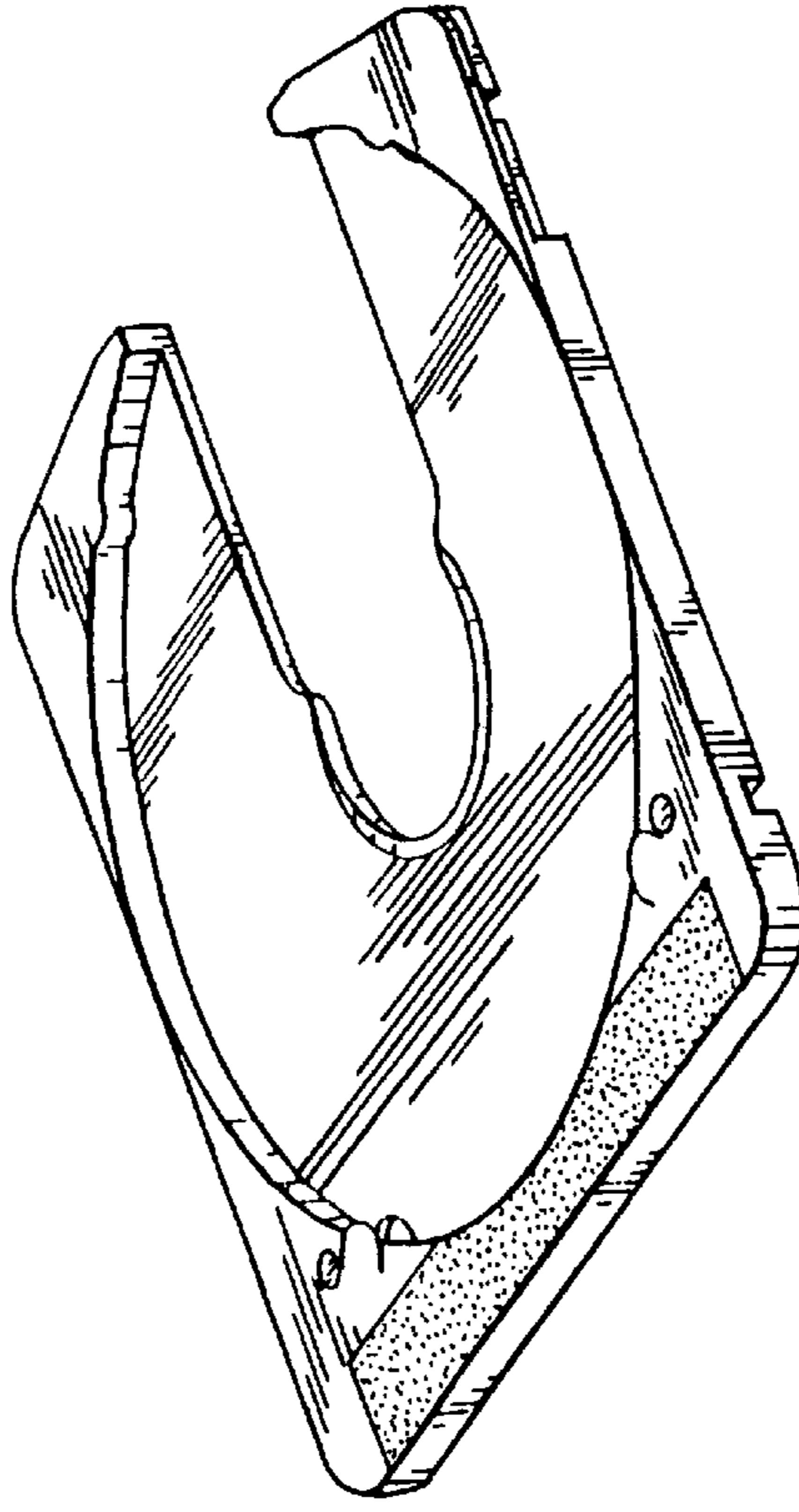


FIG. 8

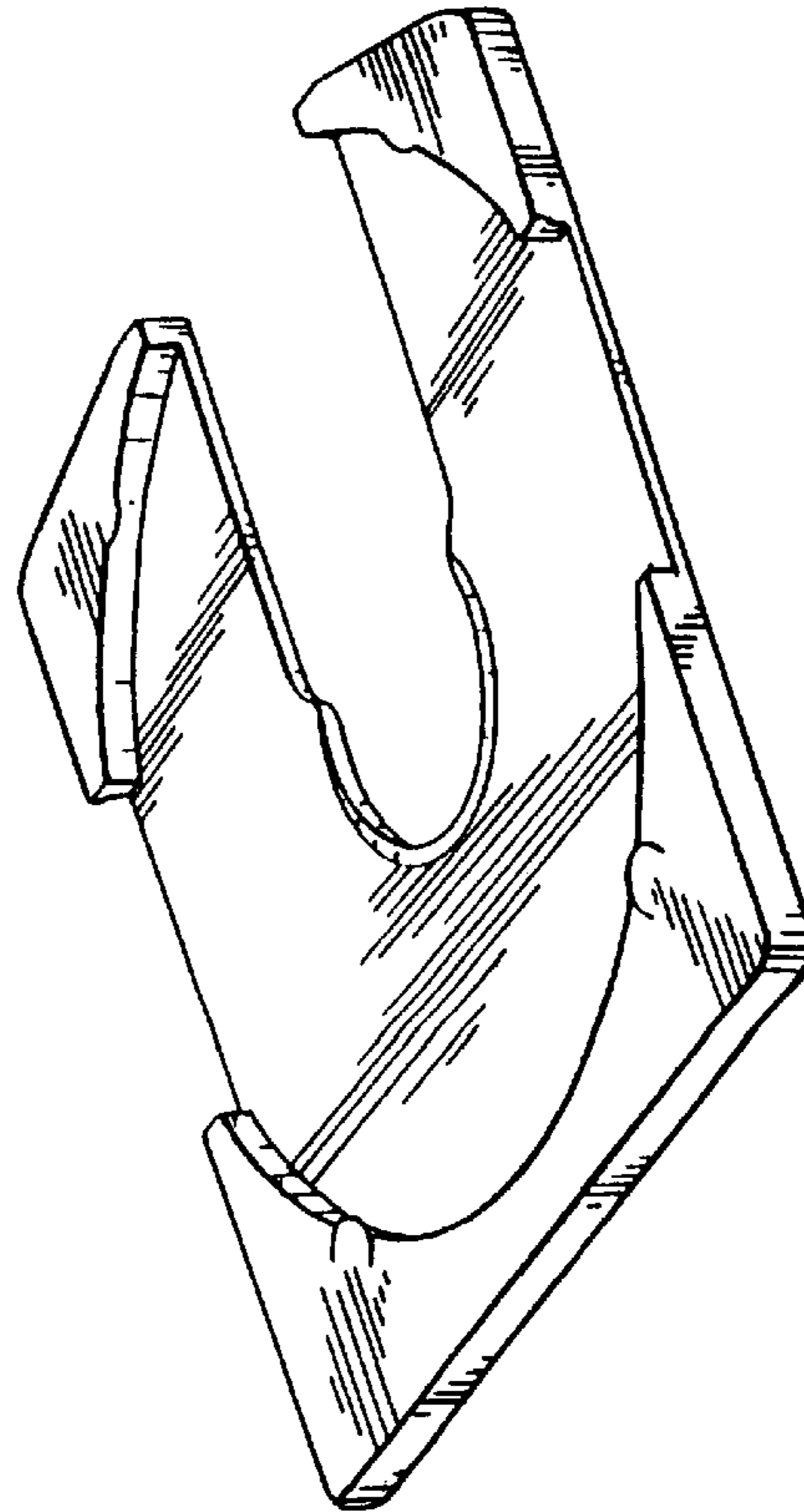


FIG. 10

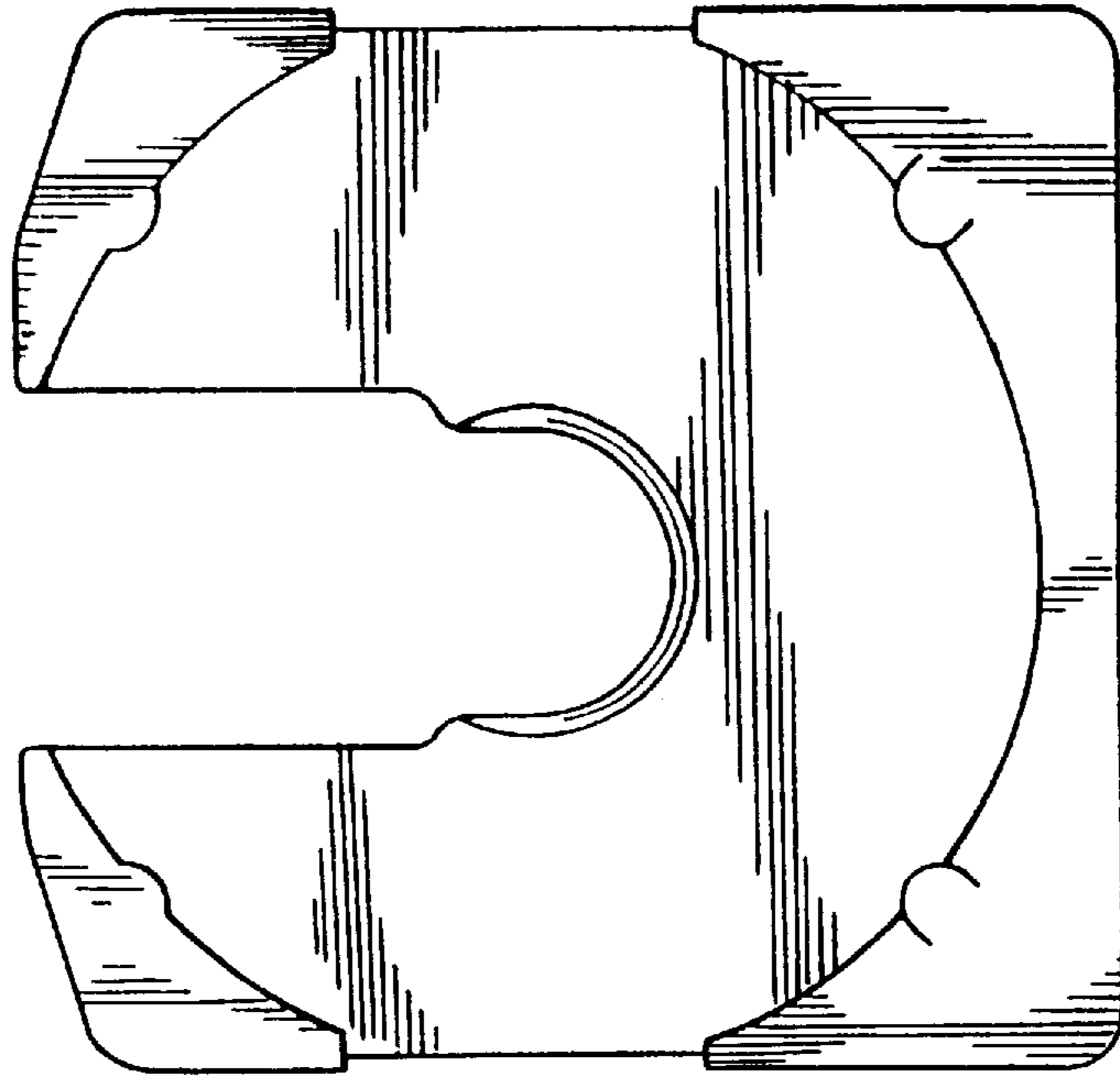


FIG. 9



FIG. 16

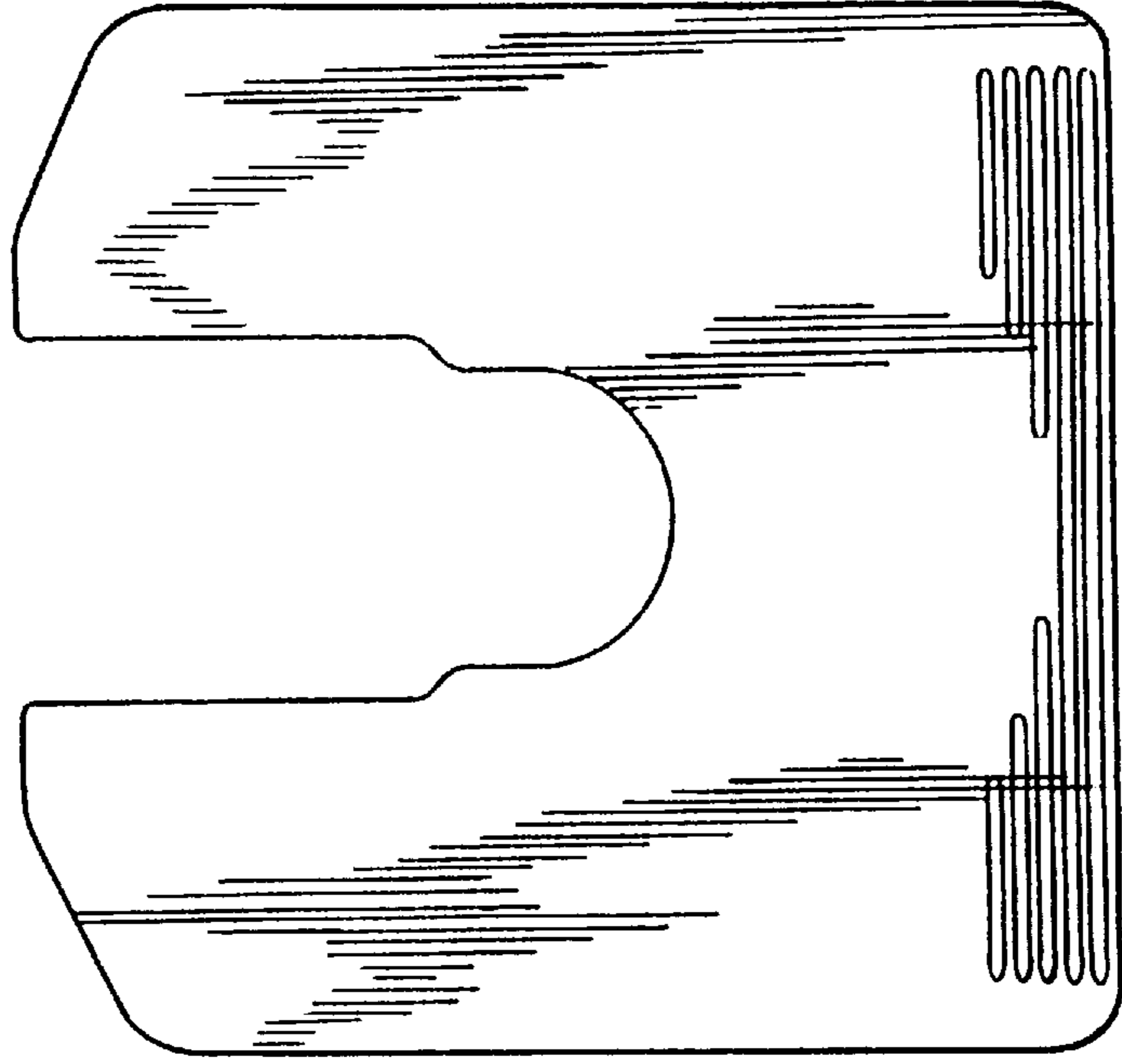


FIG. 11

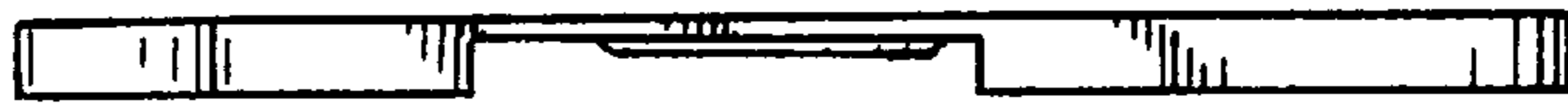


FIG. 13

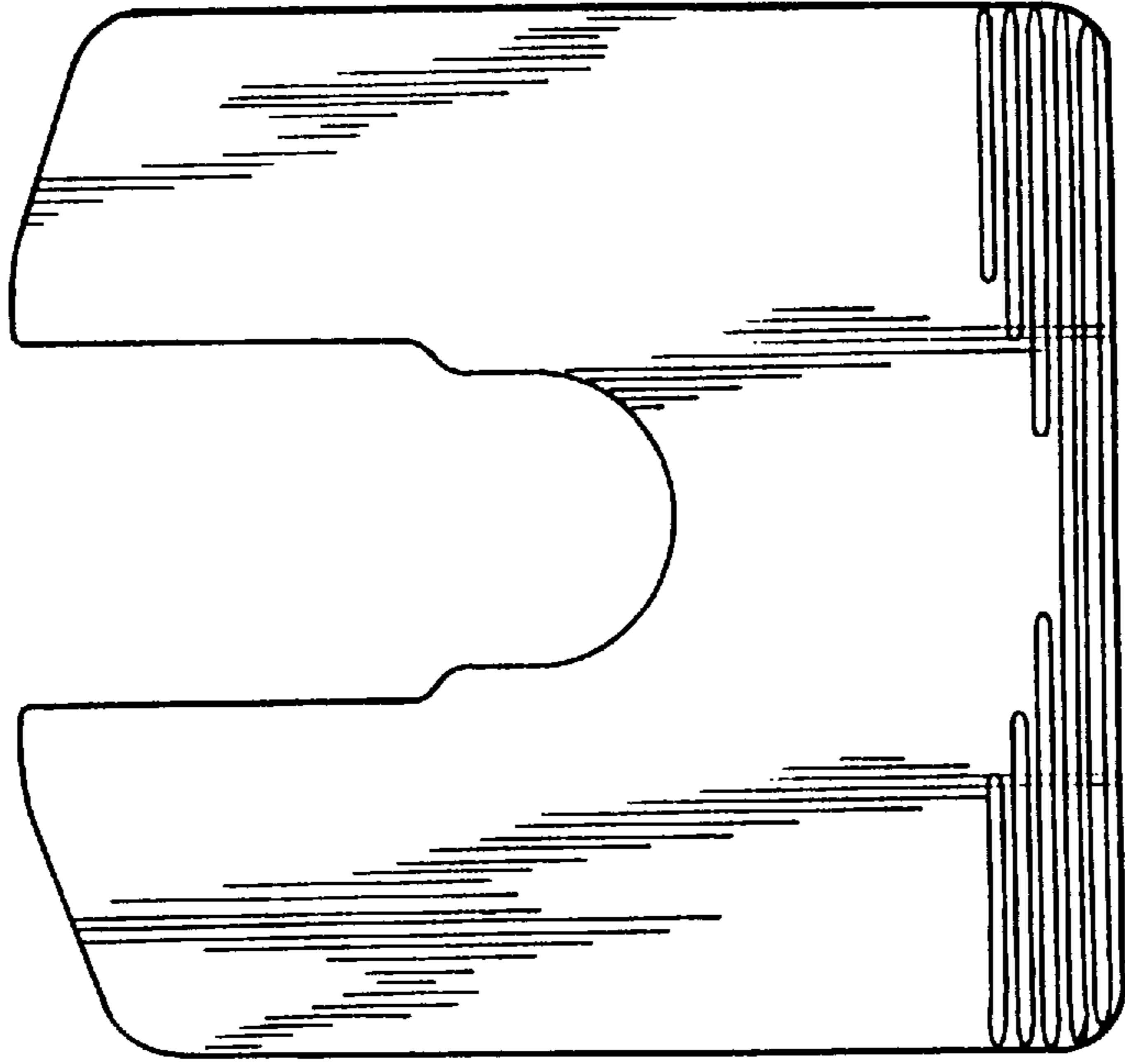


FIG. 12

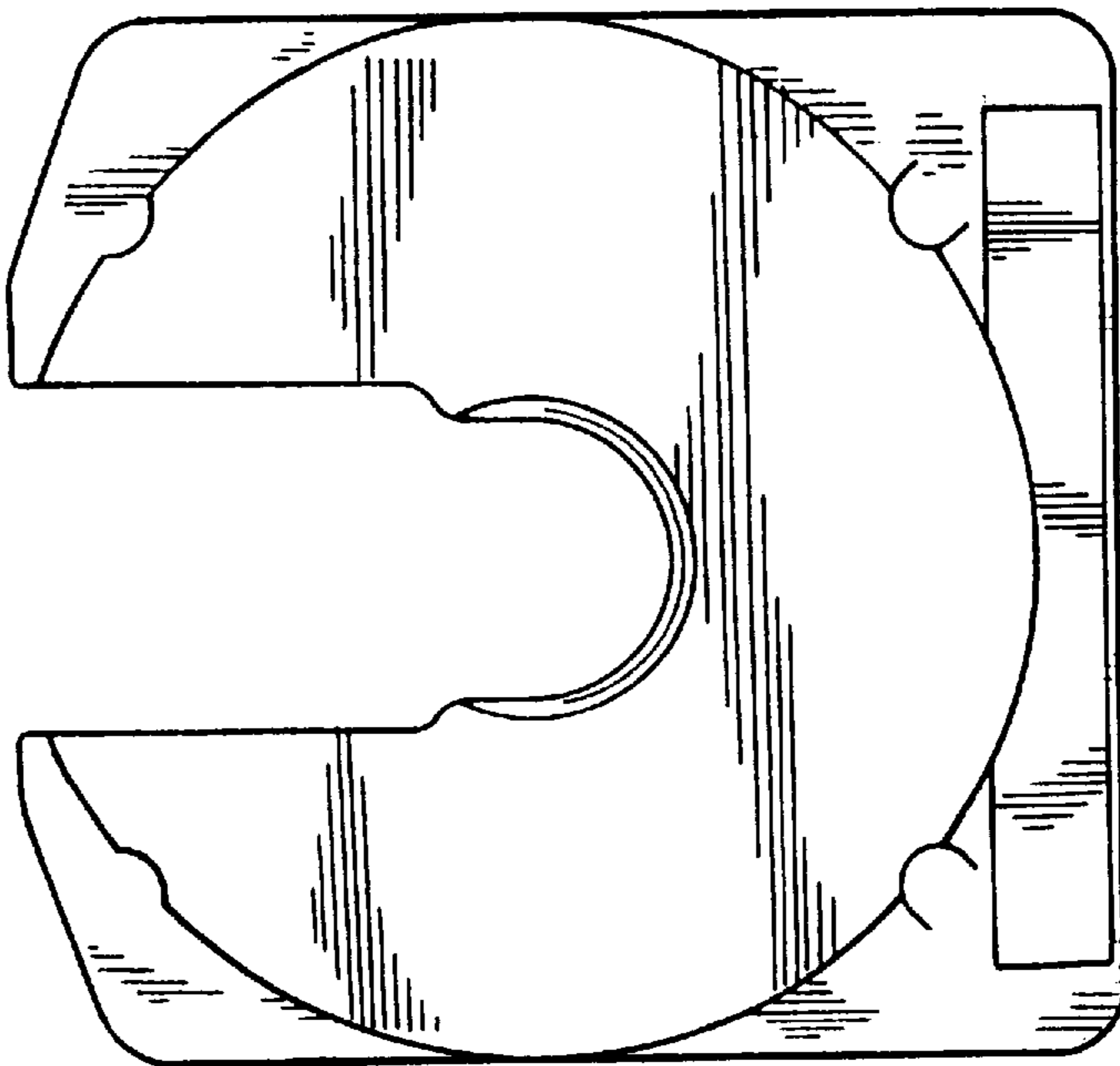


FIG. 15

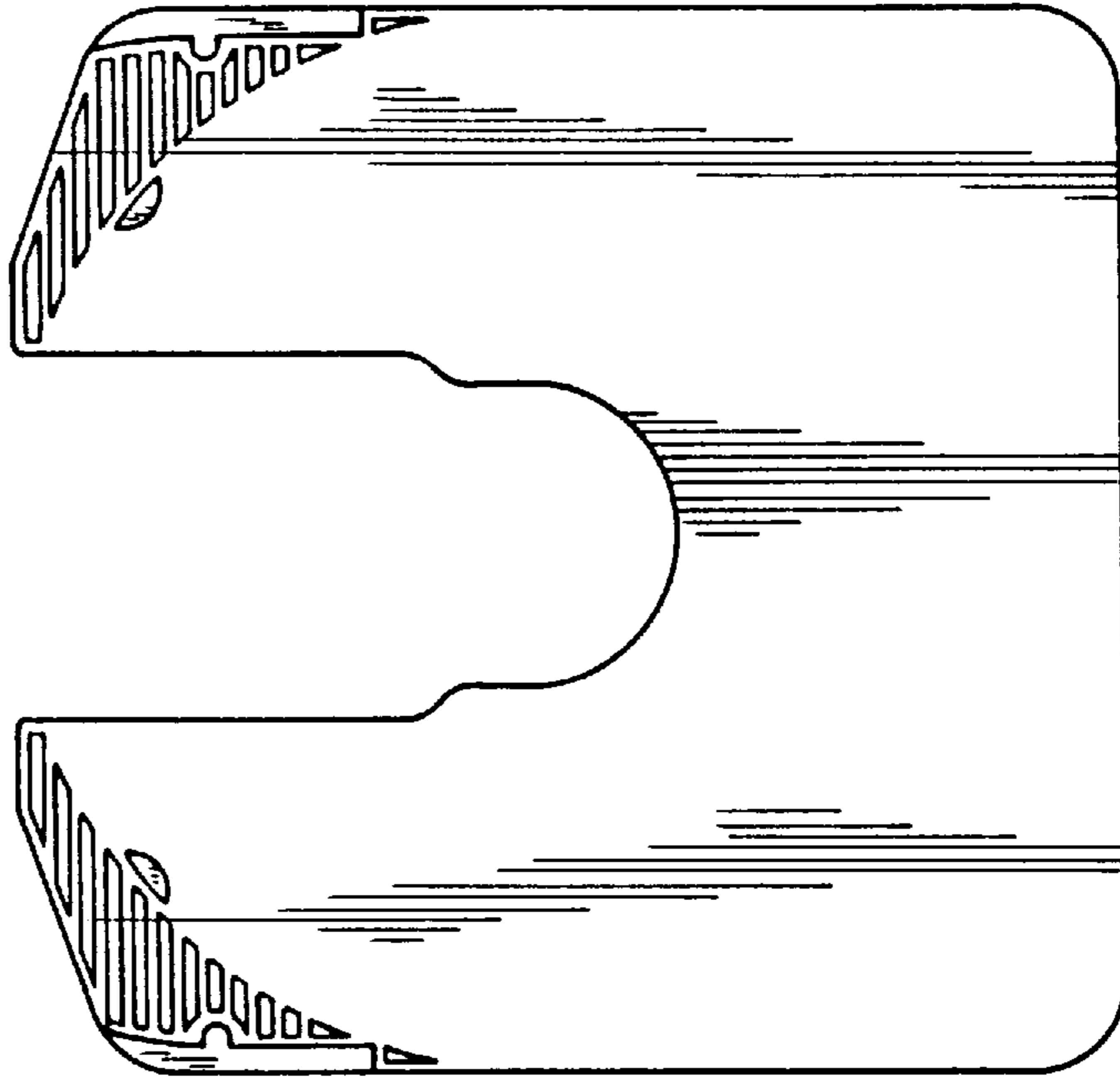


FIG. 14

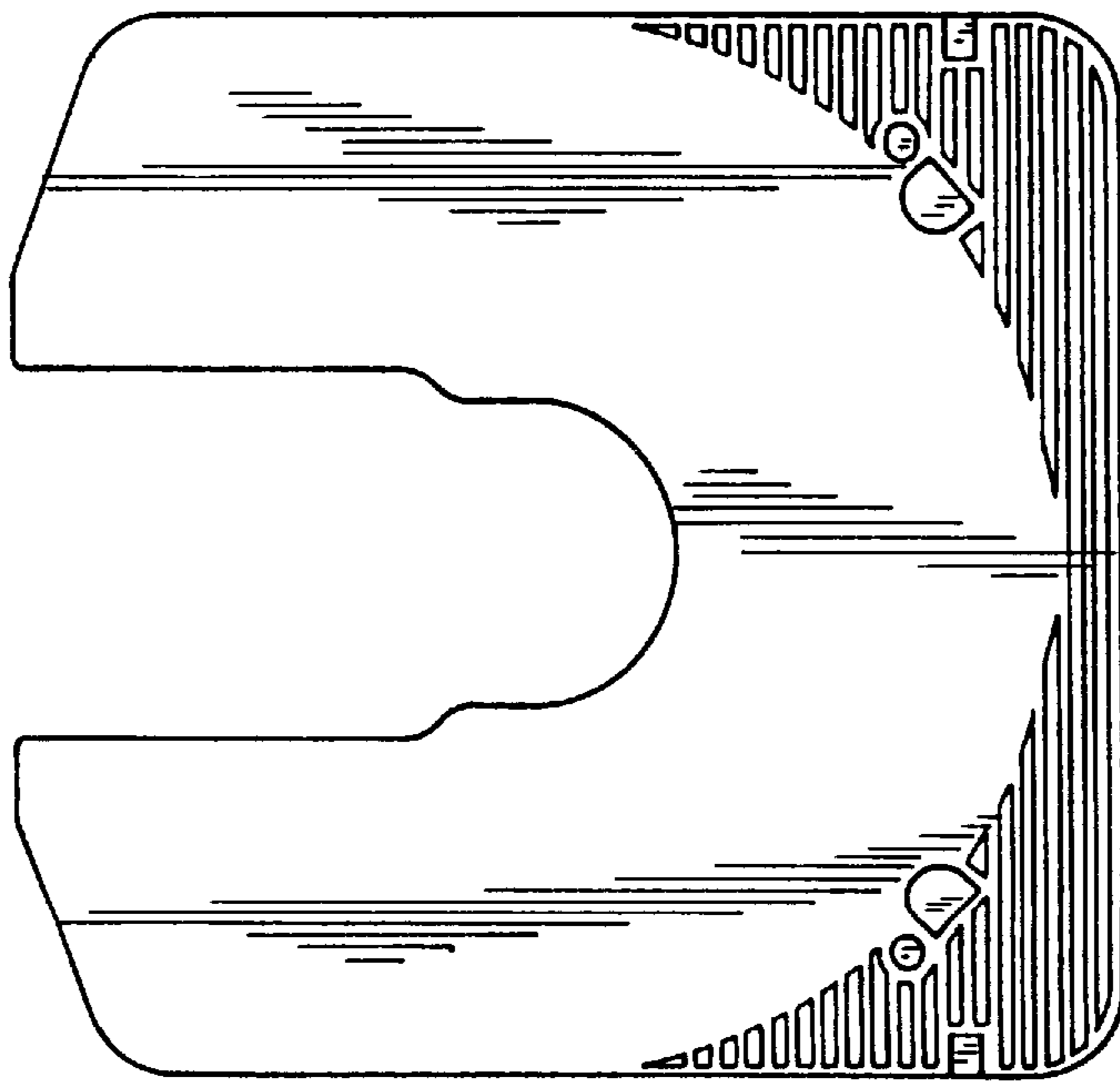


FIG.18



FIG.19

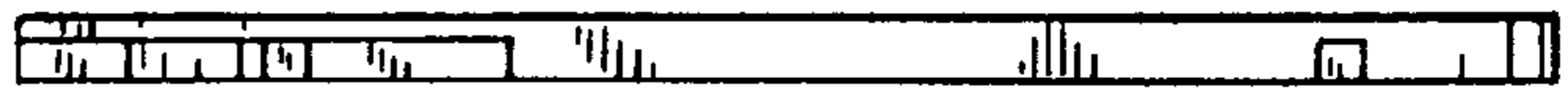


FIG.20

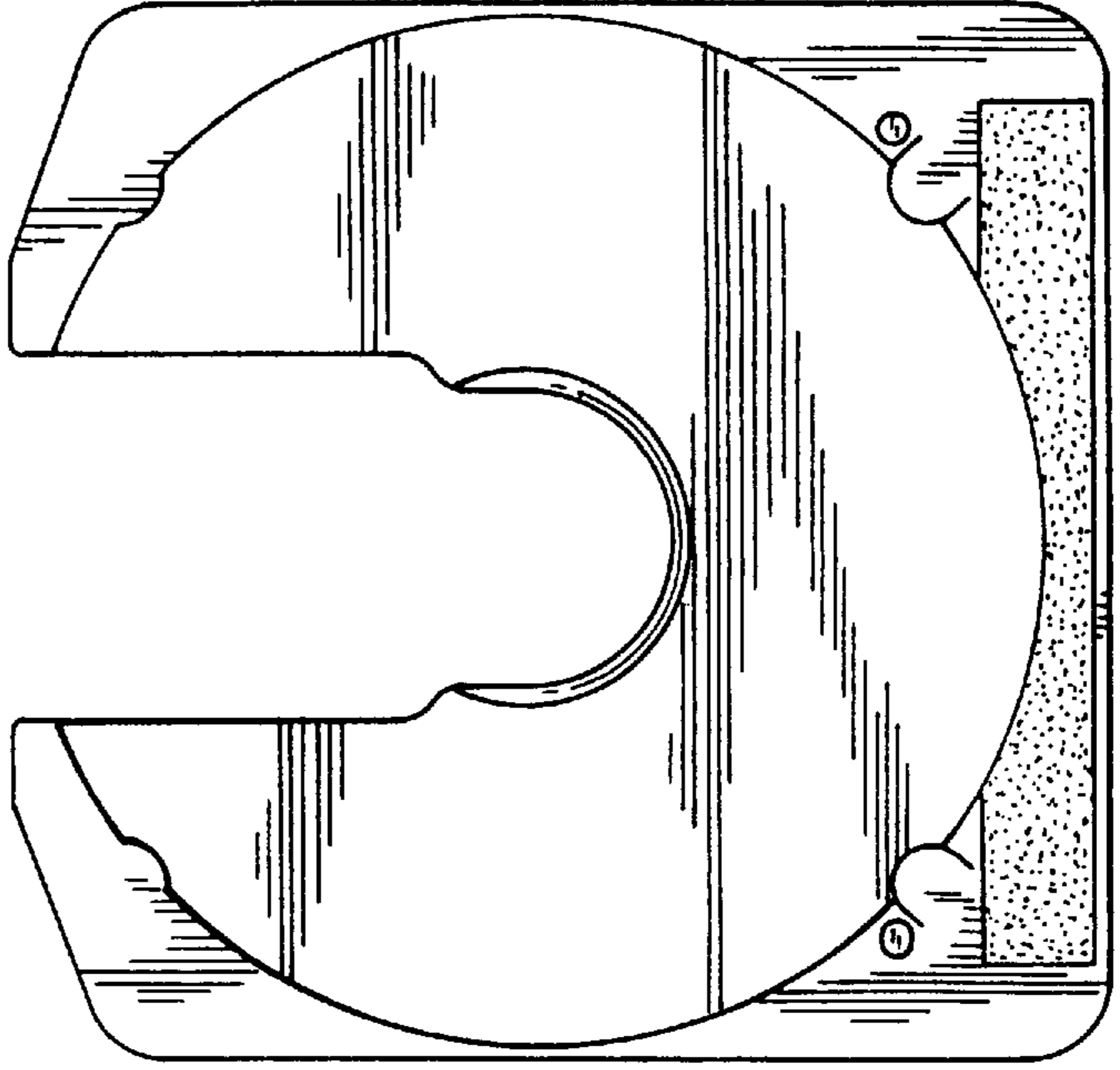


FIG. 21



FIG. 23

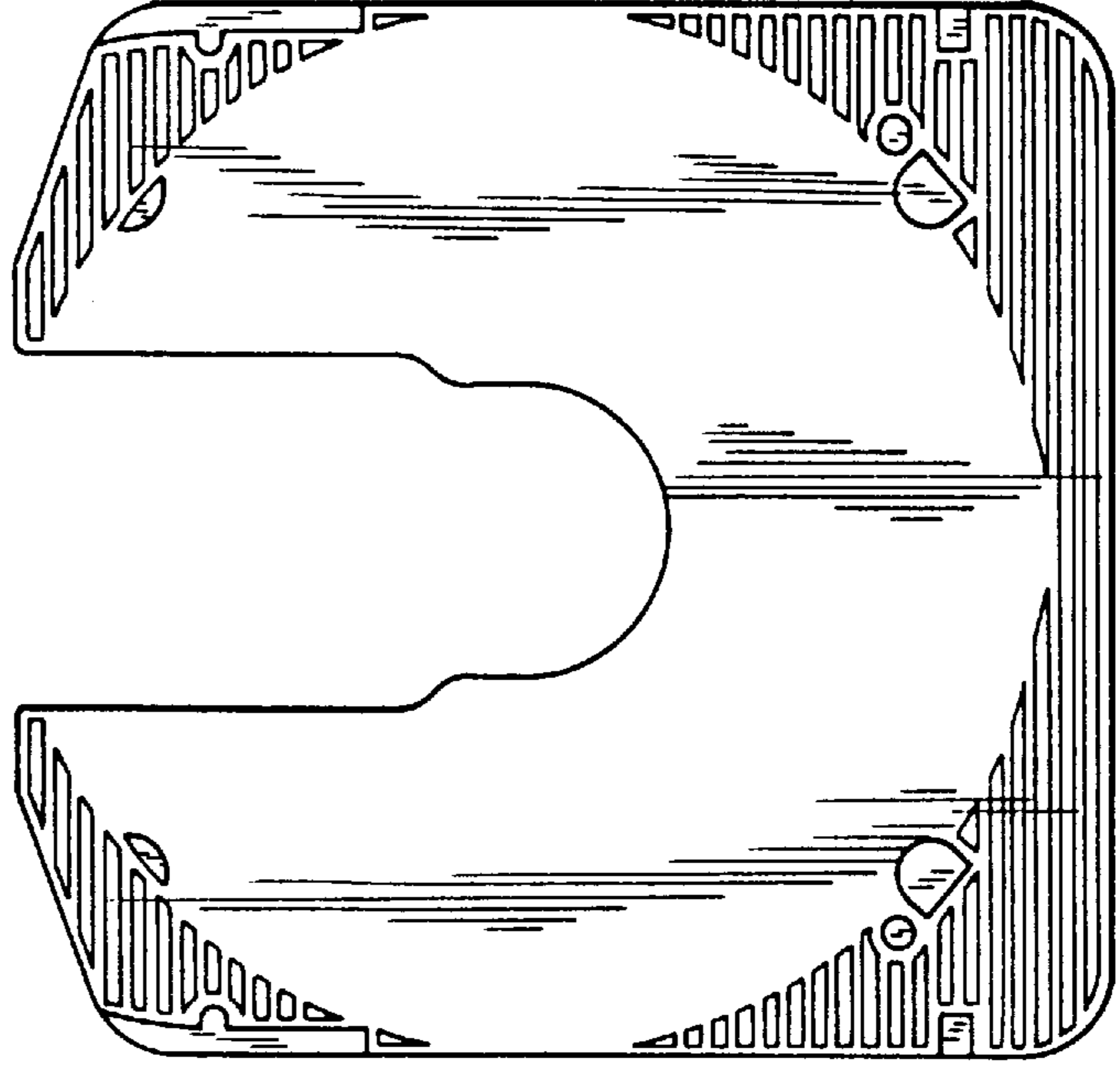


FIG. 22



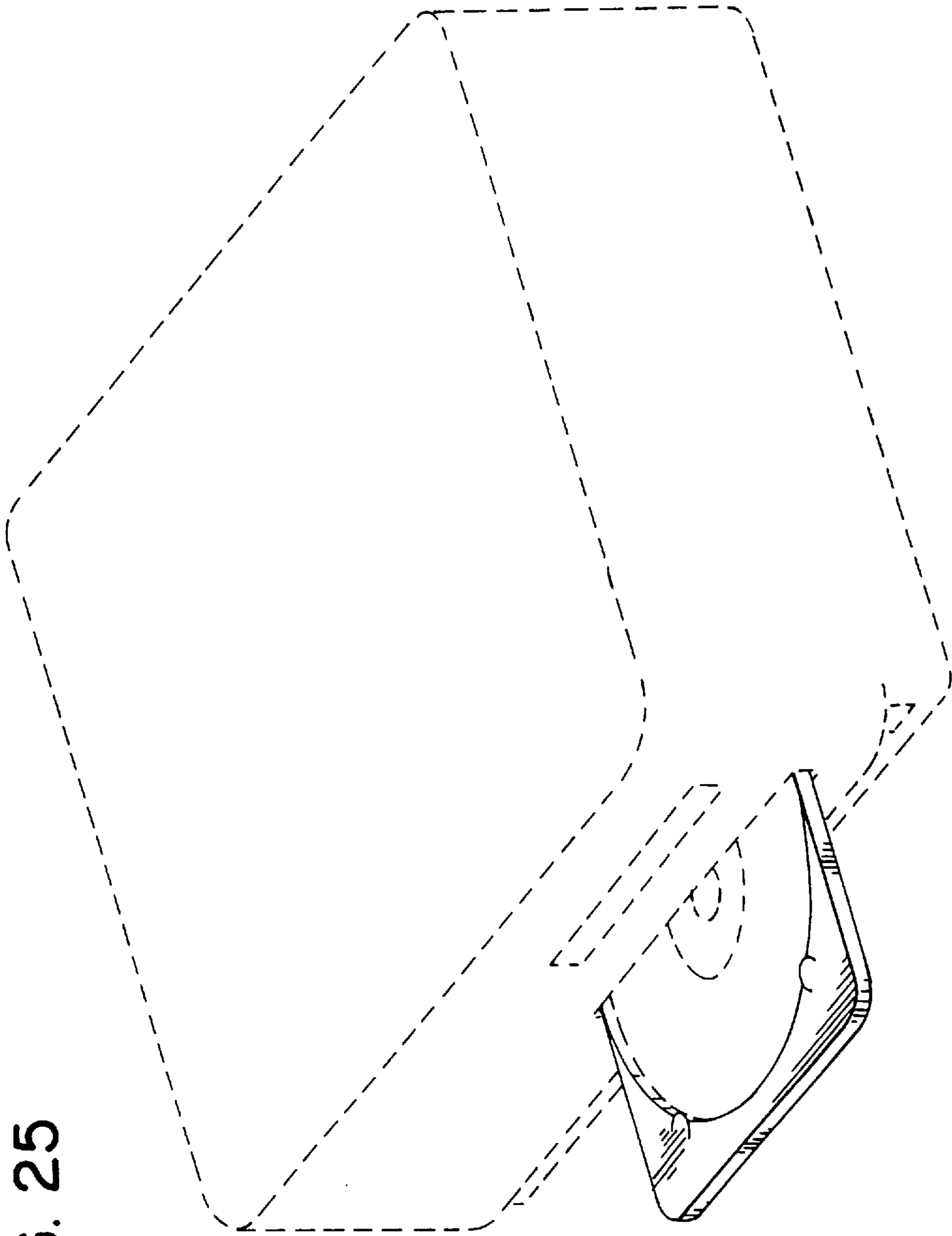


FIG. 25