



US00D398591S

United States Patent [19]

[11] **Patent Number: Des. 398,591**

Back

[45] **Date of Patent: **Sep. 22, 1998**

[54] **COMPUTER MONITOR**

D. 349,698 8/1994 Kim D14/126
D. 362,848 10/1995 Naito et al. D14/126

[75] Inventor: **Woon-San Back**, Seoul, Rep. of Korea

Primary Examiner—Freda Nunn
Attorney, Agent, or Firm—Birch, Stewart, Kolasch & Birch, LLP

[73] Assignee: **LG Electronics Inc.**, Seoul, Rep. of Korea

[**] Term: **14 Years**

[57] **CLAIM**

[21] Appl. No.: **64,314**

The ornamental design for a computer monitor, as shown and described.

[22] Filed: **Dec. 27, 1996**

[30] **Foreign Application Priority Data**

DESCRIPTION

Jun. 29, 1996 [KR] Rep. of Korea 96-13755

FIG. 1 is a perspective view of the computer monitor;

[51] **LOC (6) Cl.** **14-02**

FIG. 2 is a front view thereof;

[52] **U.S. Cl.** **D14/113; D14/126**

FIG. 3 is a rear view thereof;

[58] **Field of Search** D14/100, 101,
D14/106, 113, 124-129; 248/917-924;
345/104, 133, 156, 168, 87, 173, 901-905;
348/180, 184, 325, 739

FIG. 4 is a left side view thereof;

FIG. 5 is a right side view thereof;

FIG. 6 is a top plan view thereof; and,

FIG. 7 is a bottom plan view thereof.

[56] **References Cited**

U.S. PATENT DOCUMENTS

D. 349,277 8/1994 Merino et al. D14/113 X

1 Claim, 4 Drawing Sheets

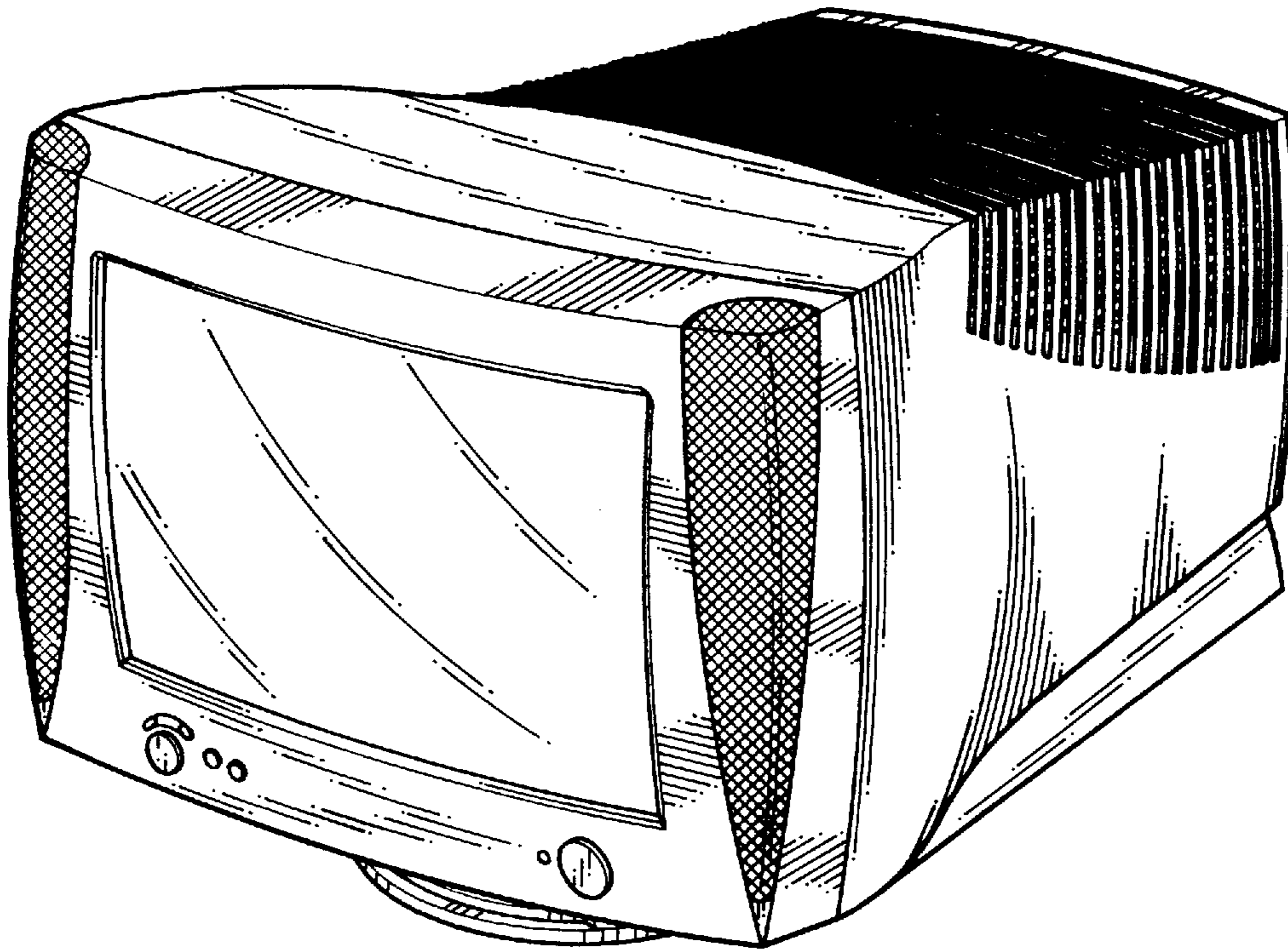


FIG. 1

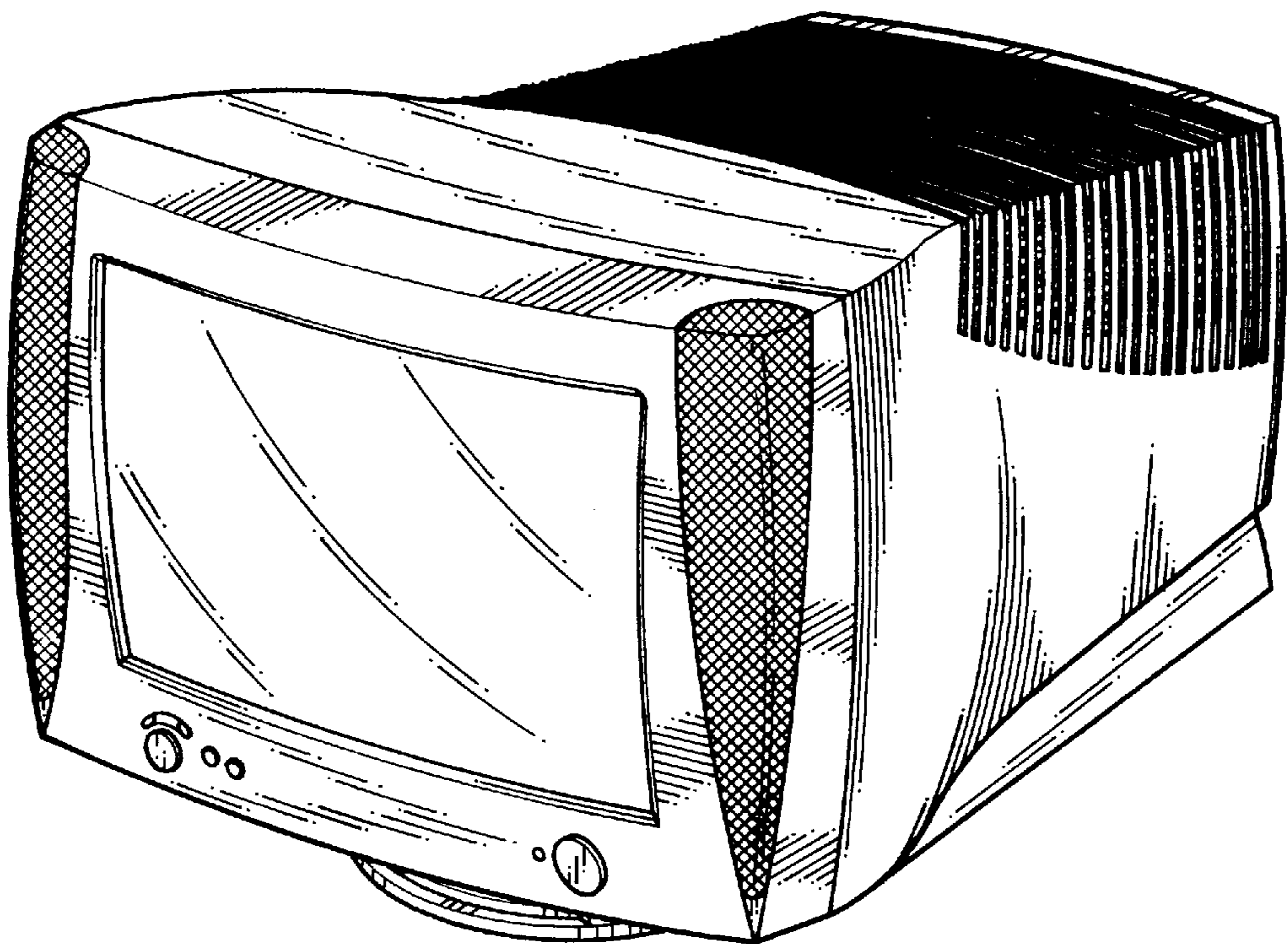


FIG. 2

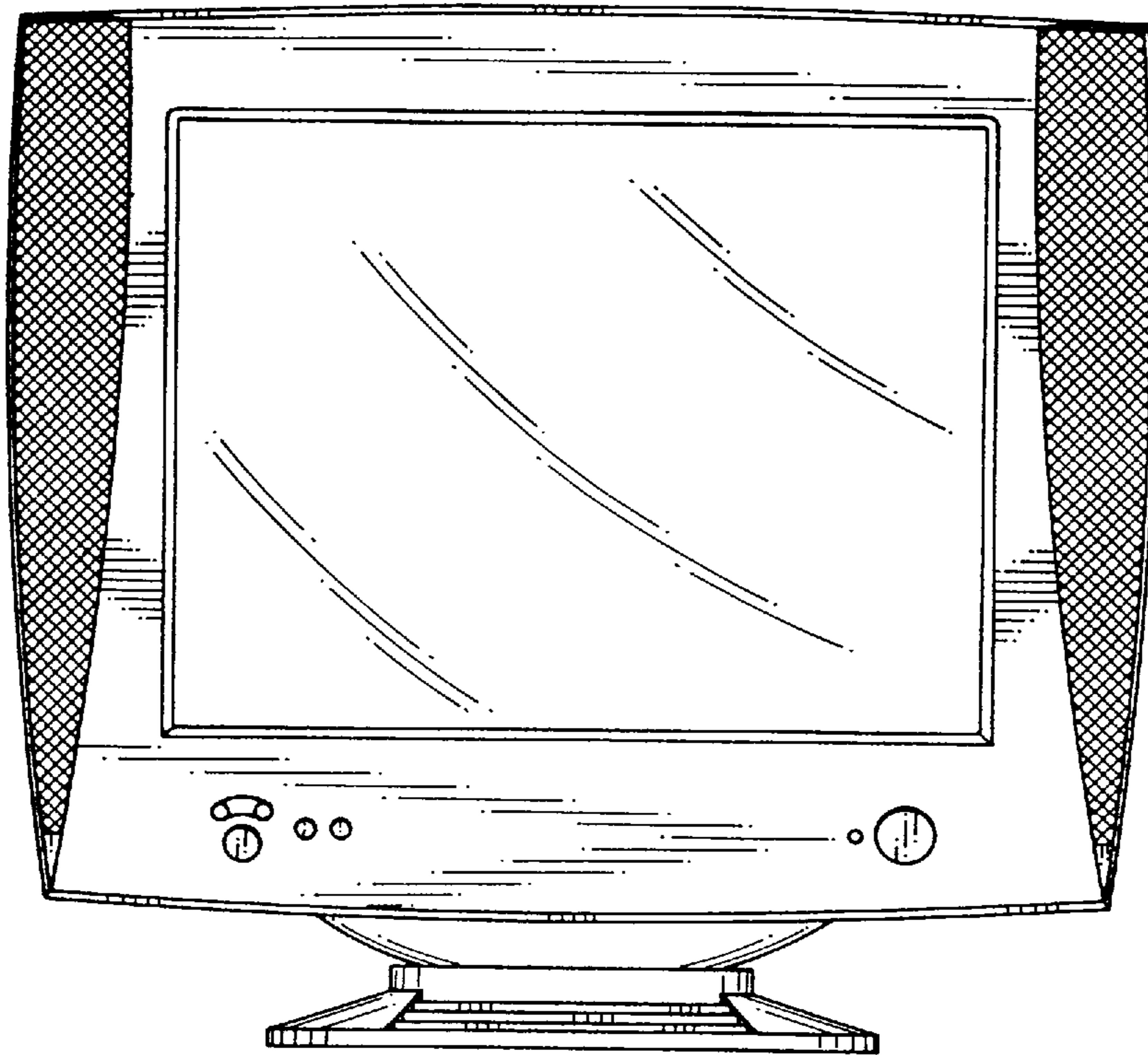


FIG. 3

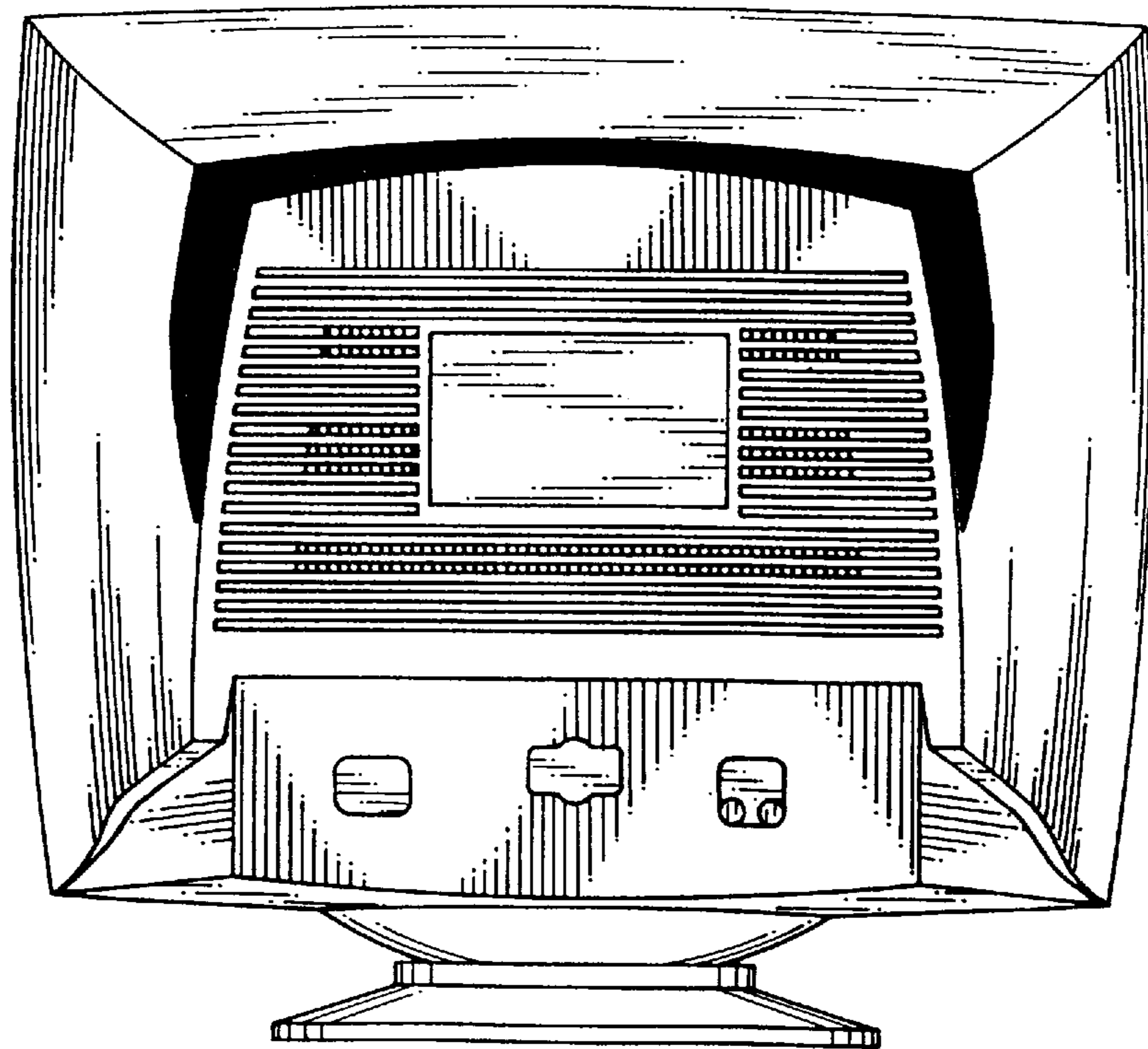


FIG. 4

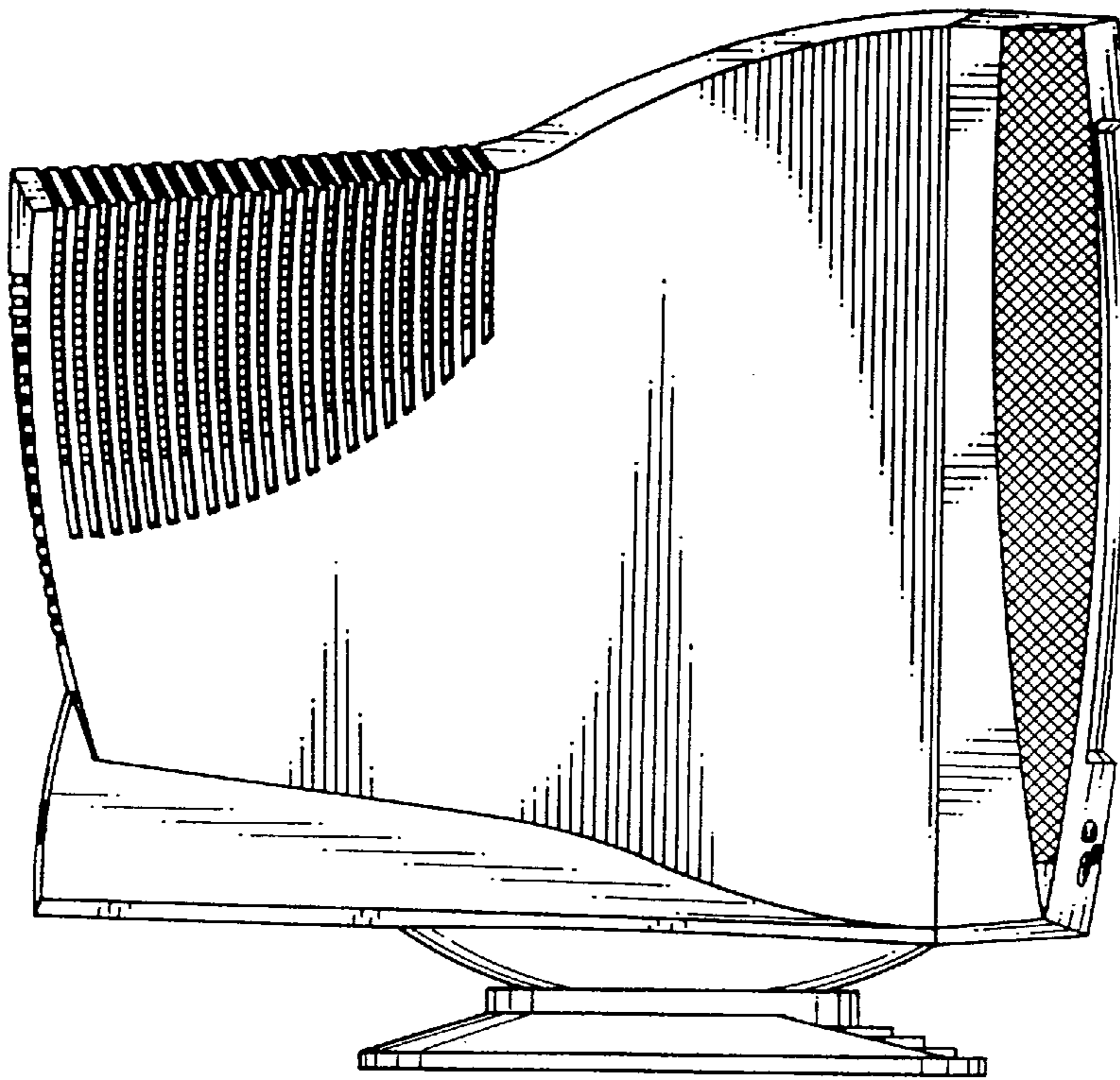


FIG. 5

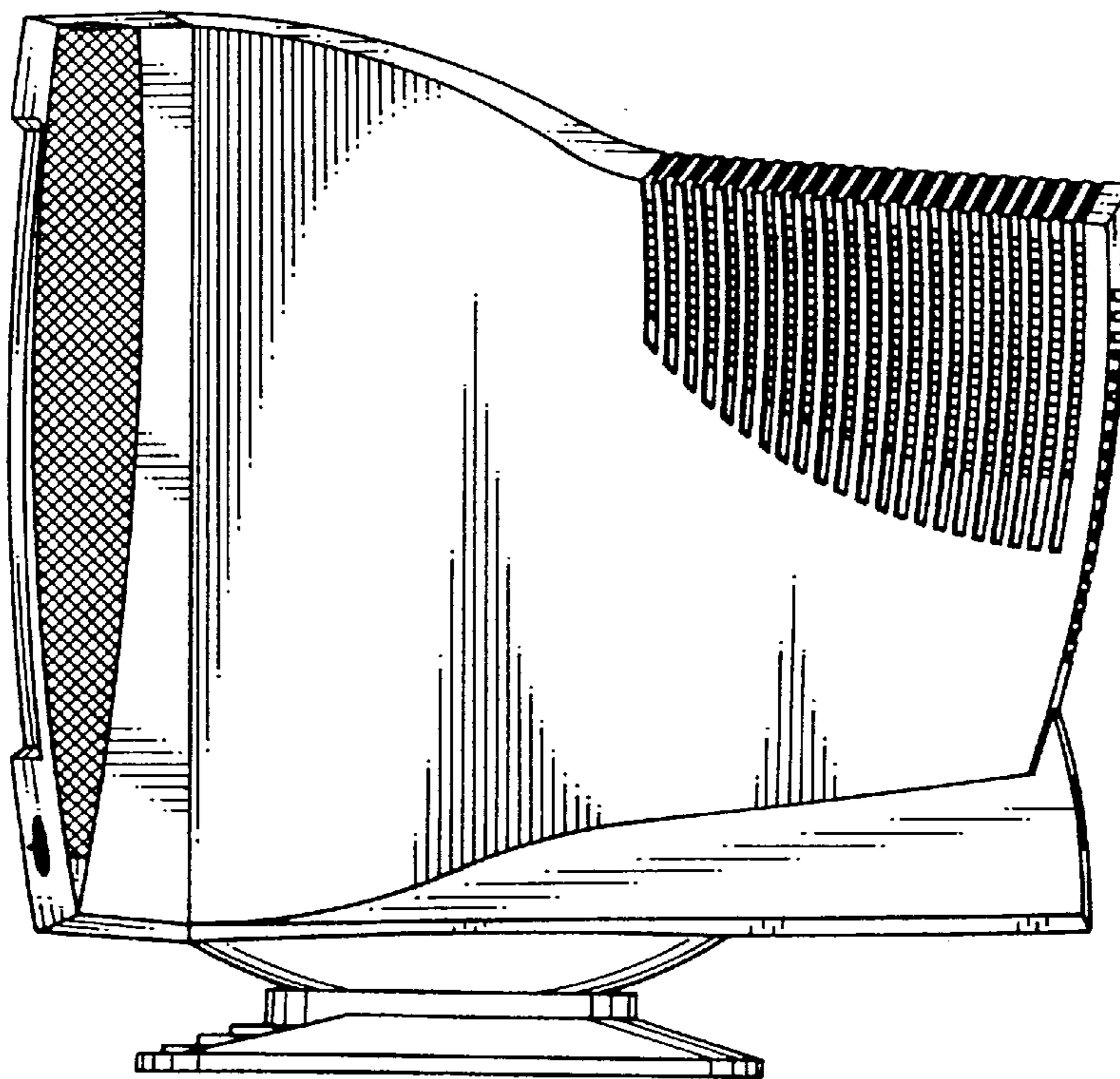


FIG. 6

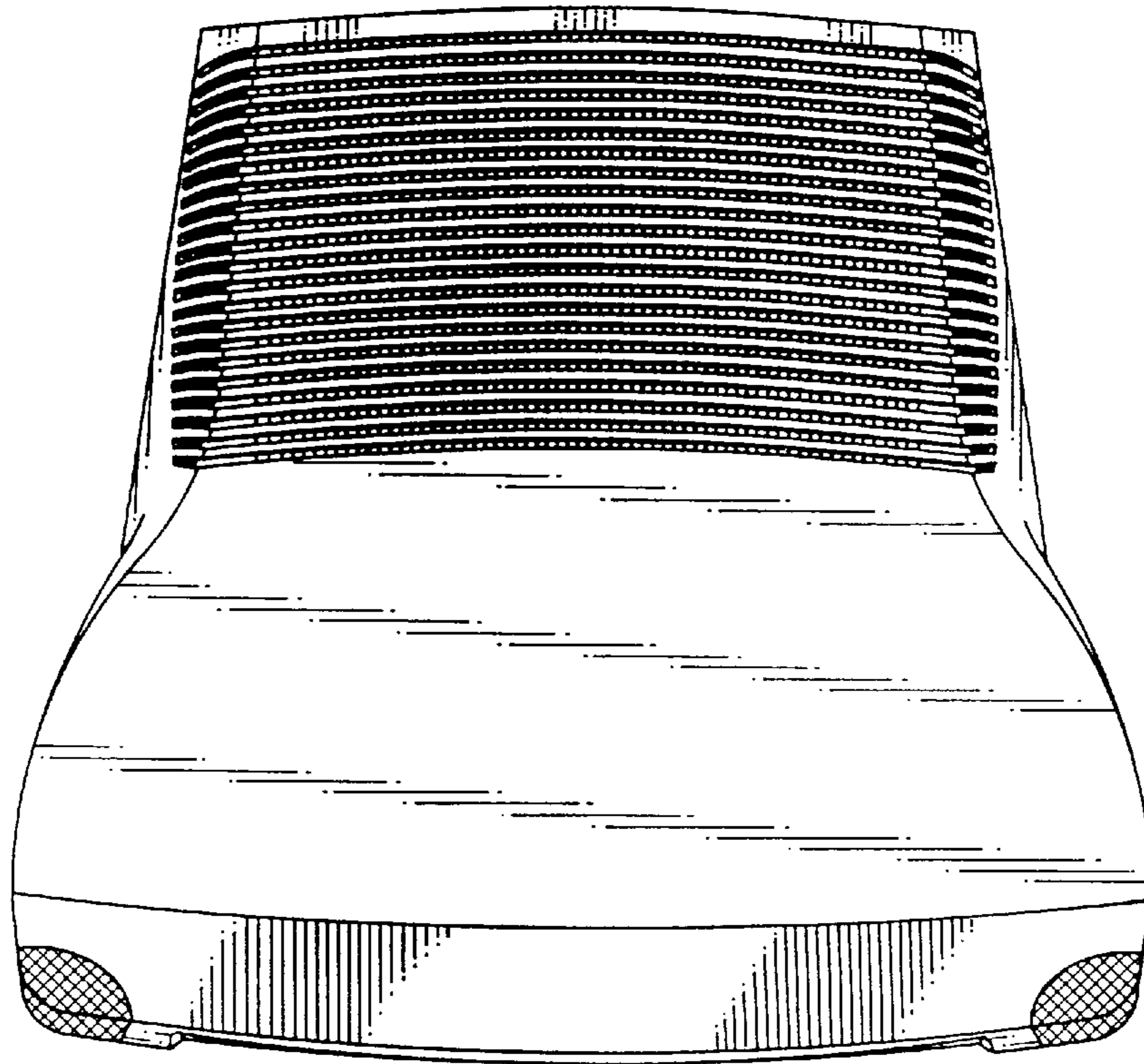


FIG. 7

