



US00D398590S

**United States Patent** [19]  
**Haenel**

[11] **Patent Number: Des. 398,590**

[45] **Date of Patent: \*\*Sep. 22, 1998**

[54] **PORTABLE COMPUTER**

[75] Inventor: **Martin Haenel**, Munich, Germany

[73] Assignee: **Bayerische Motoren Werke Aktiengesellschaft**, Munich, Germany

[\*\*] Term: **14 Years**

[21] Appl. No.: **74,816**

[22] Filed: **Aug. 11, 1997**

[30] **Foreign Application Priority Data**

Feb. 10, 1997 [DE] Germany ..... 97 01 435.4

[51] **LOC (6) Cl.** ..... **14-02**

[52] **U.S. Cl.** ..... **D14/100; D14/106**

[58] **Field of Search** ..... D14/100, 101, D14/106, 113, 115; D18/1, 2, 7; 235/145 A, 145 R; 345/104, 156, 168, 173; 361/679-686; 364/708.1, 709.04; 400/486, 489

[56] **References Cited**

**U.S. PATENT DOCUMENTS**

- D. 330,703 11/1992 Cheung et al. .... D14/100
- D. 346,794 5/1994 Arakaki et al. .... D14/105
- D. 359,030 6/1995 Gildea et al. .... D14/100
- D. 369,789 5/1996 Lucente, II et al. .... D14/107

*Primary Examiner*—Freda Nunn

*Attorney, Agent, or Firm*—Evenson, McKeown, Edwards and Lenahan PL

[57] **CLAIM**

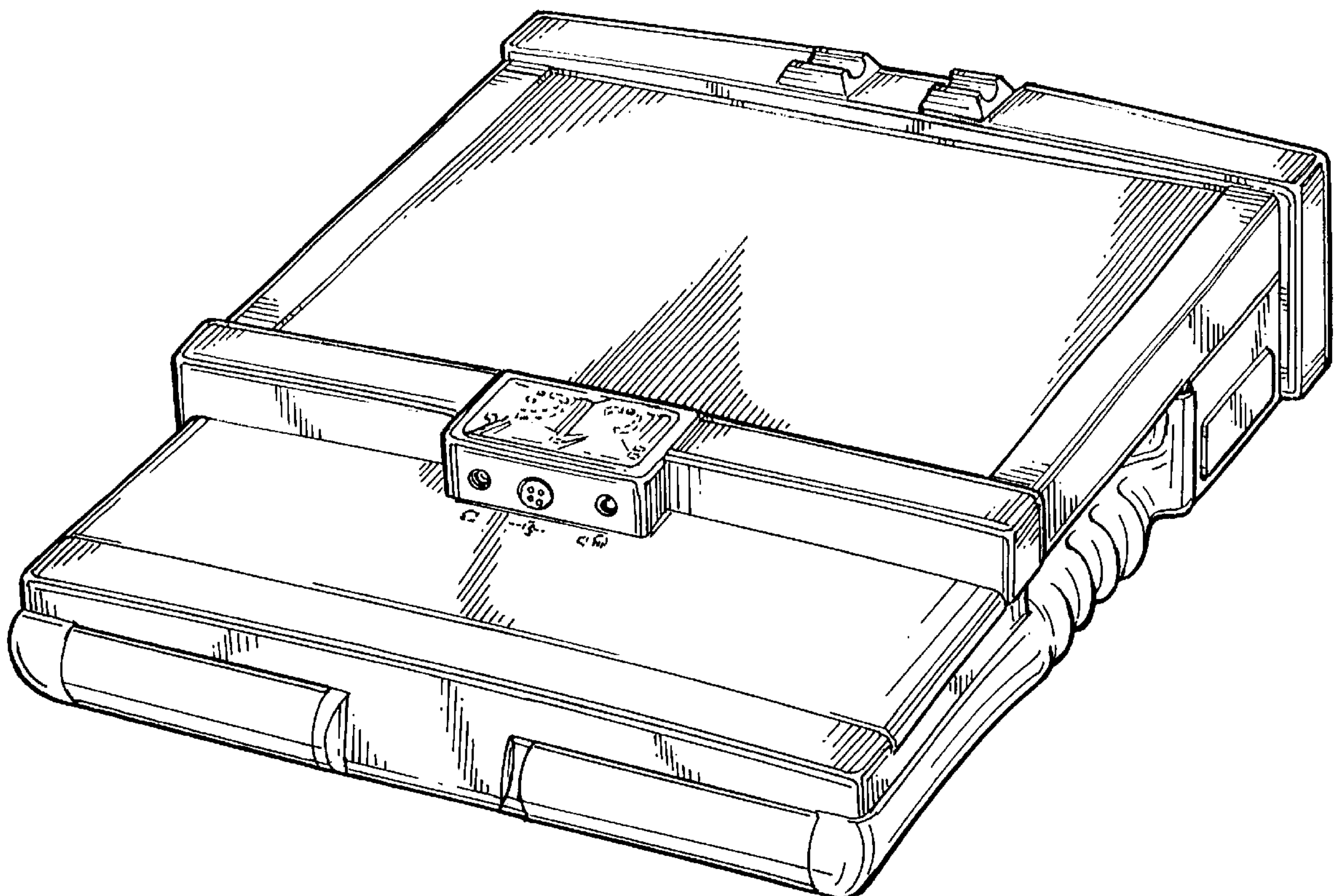
The ornamental design for a portable computer, as shown and described.

**DESCRIPTION**

FIG. 1 is a perspective view from the front right side of a portable computer according to my novel design;  
 FIG. 2 is a perspective view from the front left side of the portable computer according to my novel design;  
 FIG. 3 is a perspective view from the rear right side of the portable computer according to my novel design;  
 FIG. 4 is a perspective view from the rear left side of the portable computer according to my novel design;  
 FIG. 5 is a left side view of the portable computer according to my novel design;  
 FIG. 6 is a right side view of the portable computer according to my novel design;  
 FIG. 7 is a front view of the portable computer according to my novel design;  
 FIG. 8 is a rear view of the portable computer according to my novel design;  
 FIG. 9 is a top view of the portable computer according to my novel design; and,  
 FIG. 10 is a bottom view of the portable computer according to my novel design.

The broken lines are shown in the views for illustrative purposes only and form no part of the claimed design and the pattern shown on the rear panel in FIGS. 3, 4, and 8 is understood to represent a conventional material.

**1 Claim, 8 Drawing Sheets**



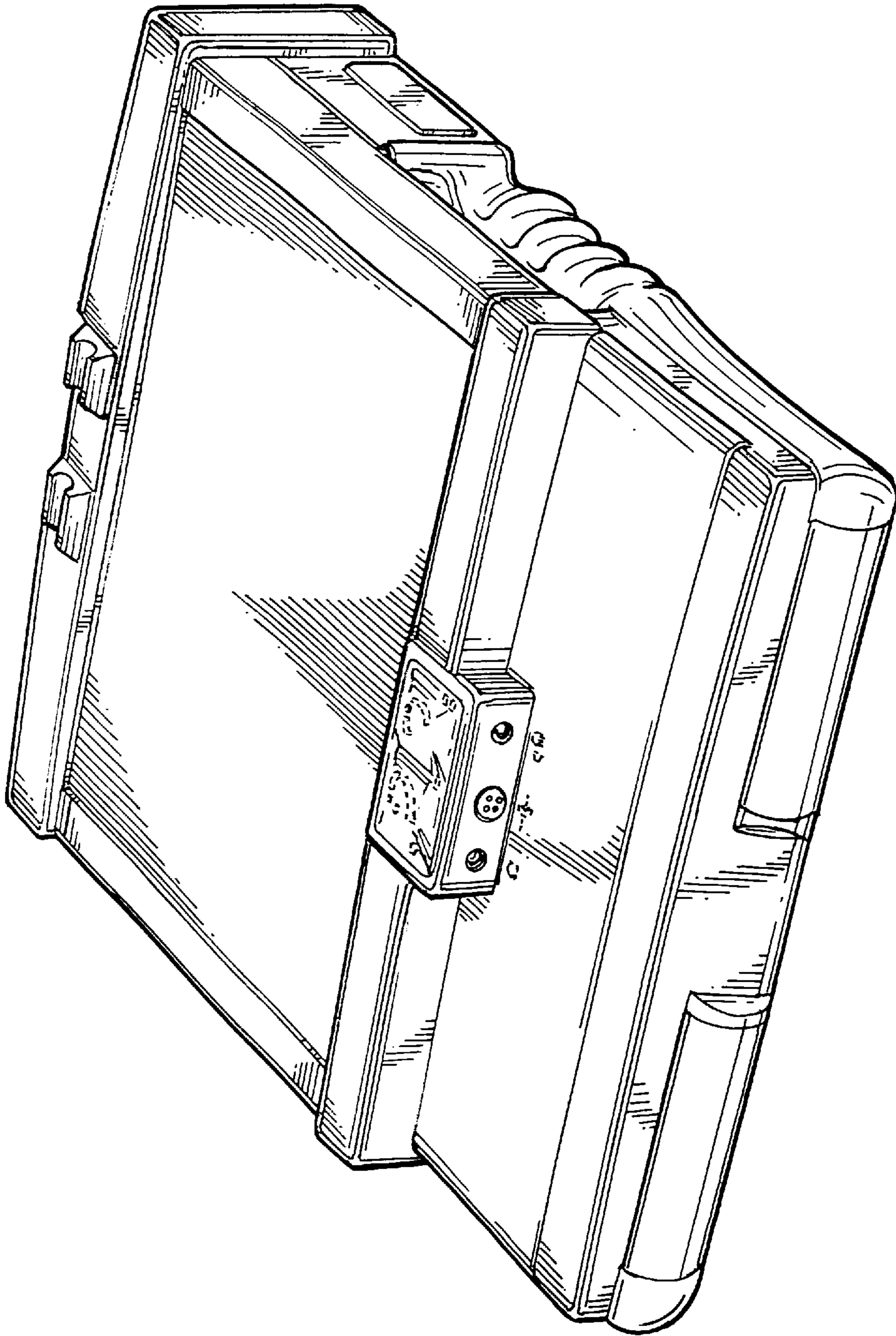


FIG. 1



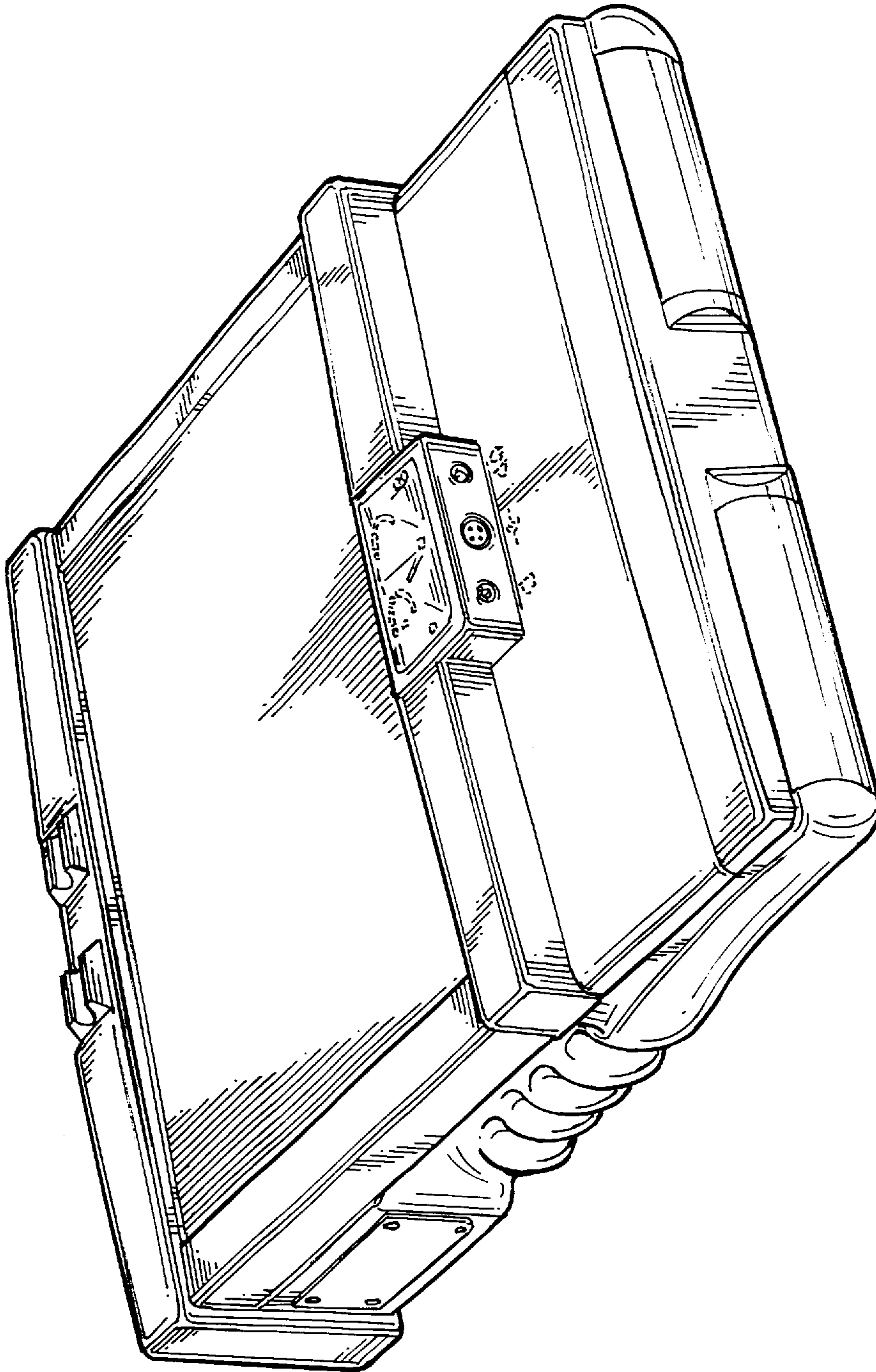


FIG. 2

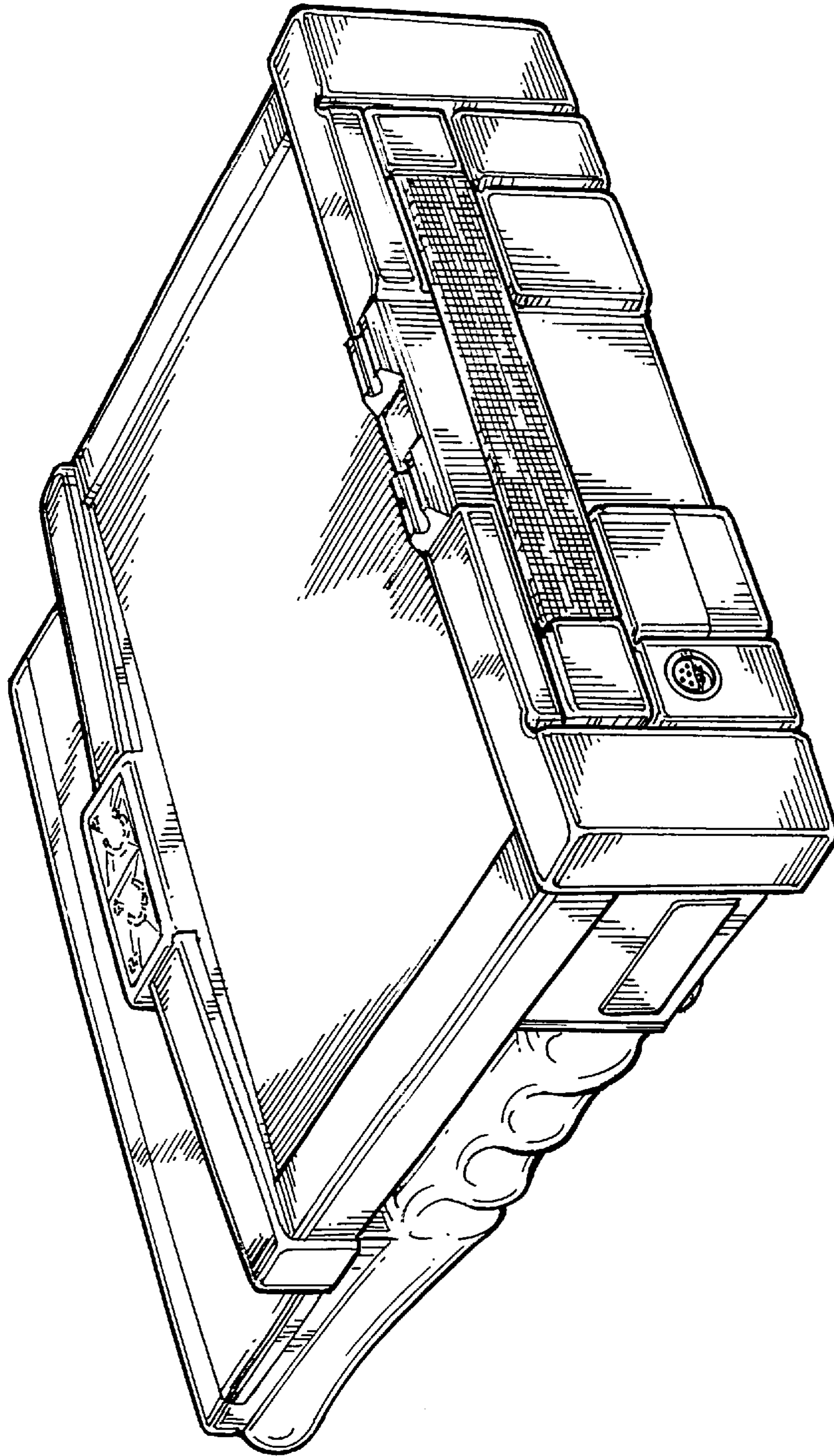


FIG. 3

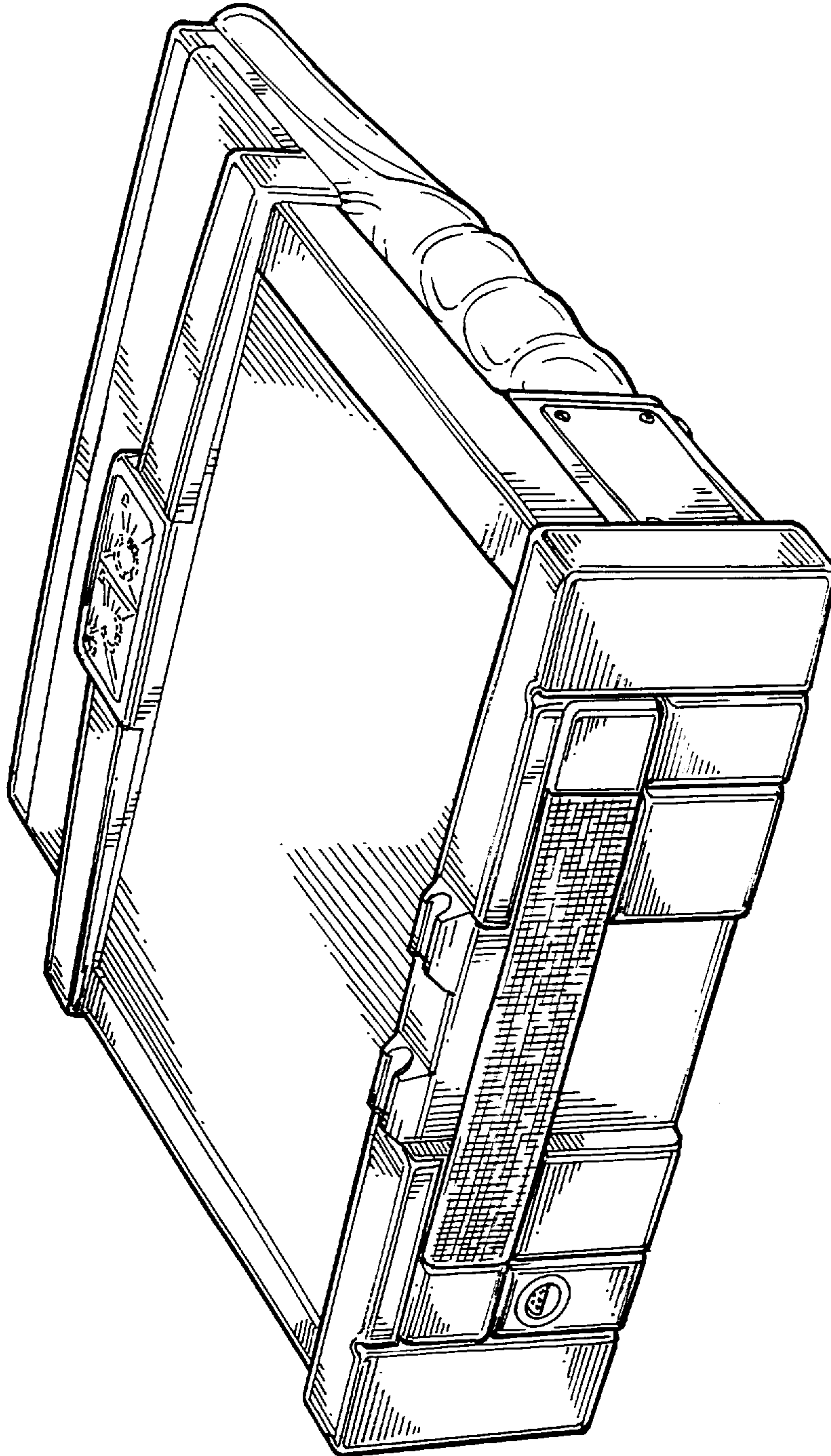


FIG. 4



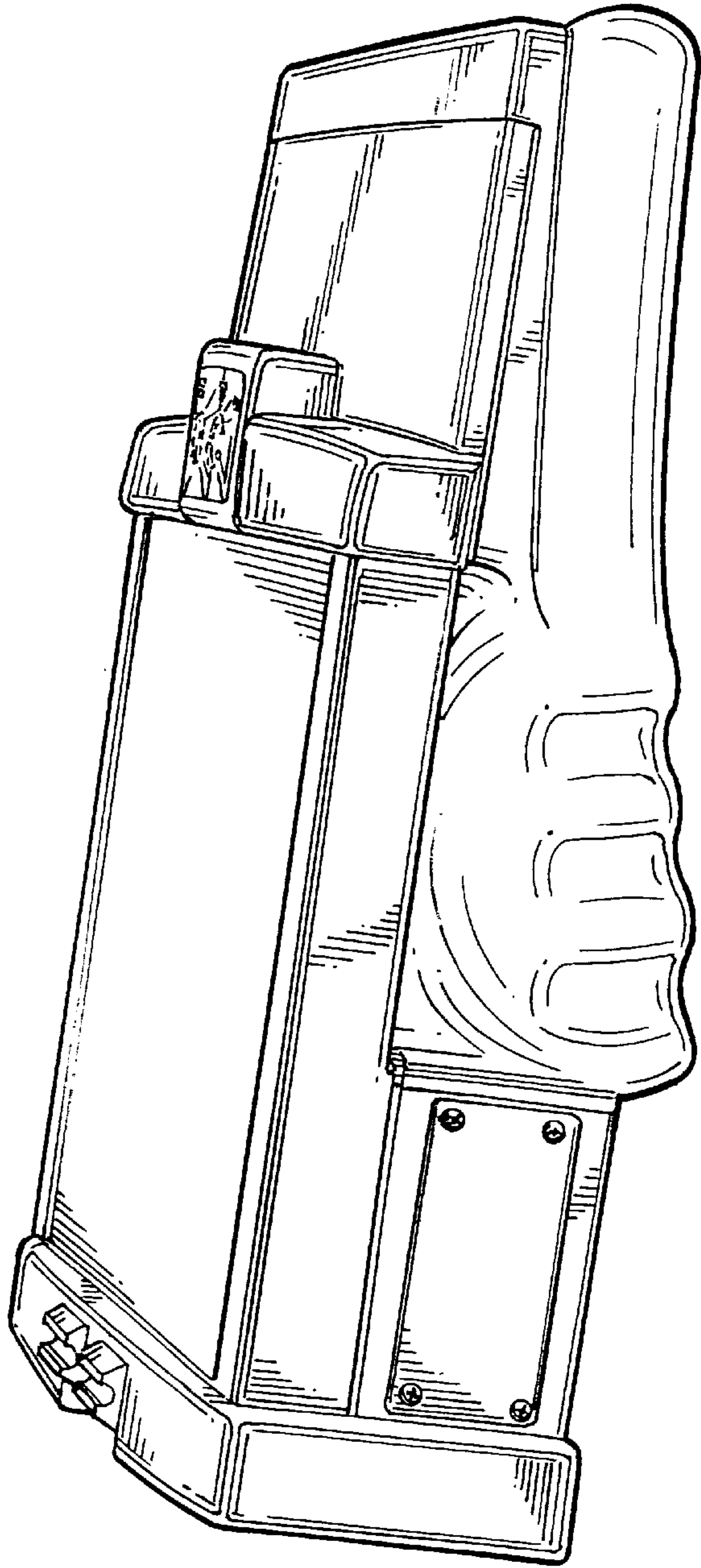


FIG. 5

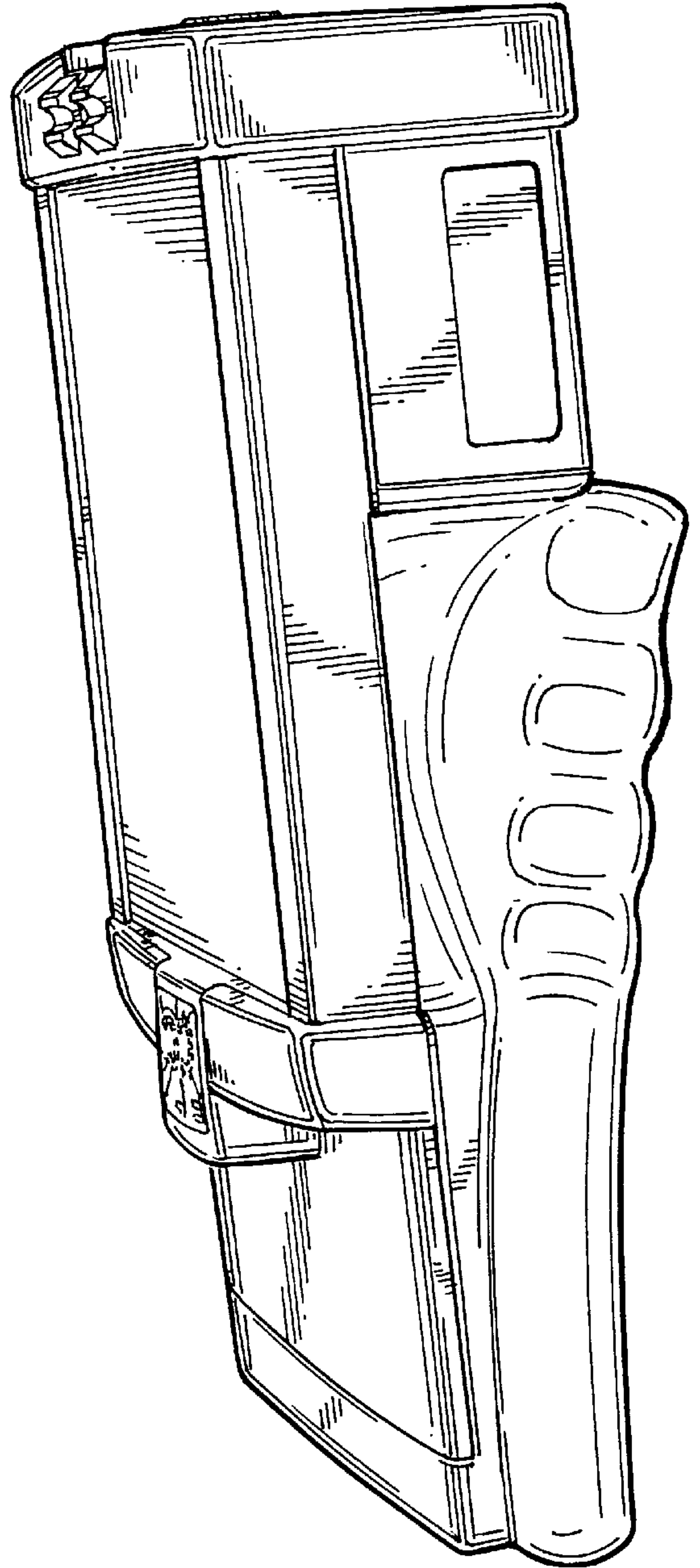


FIG. 6

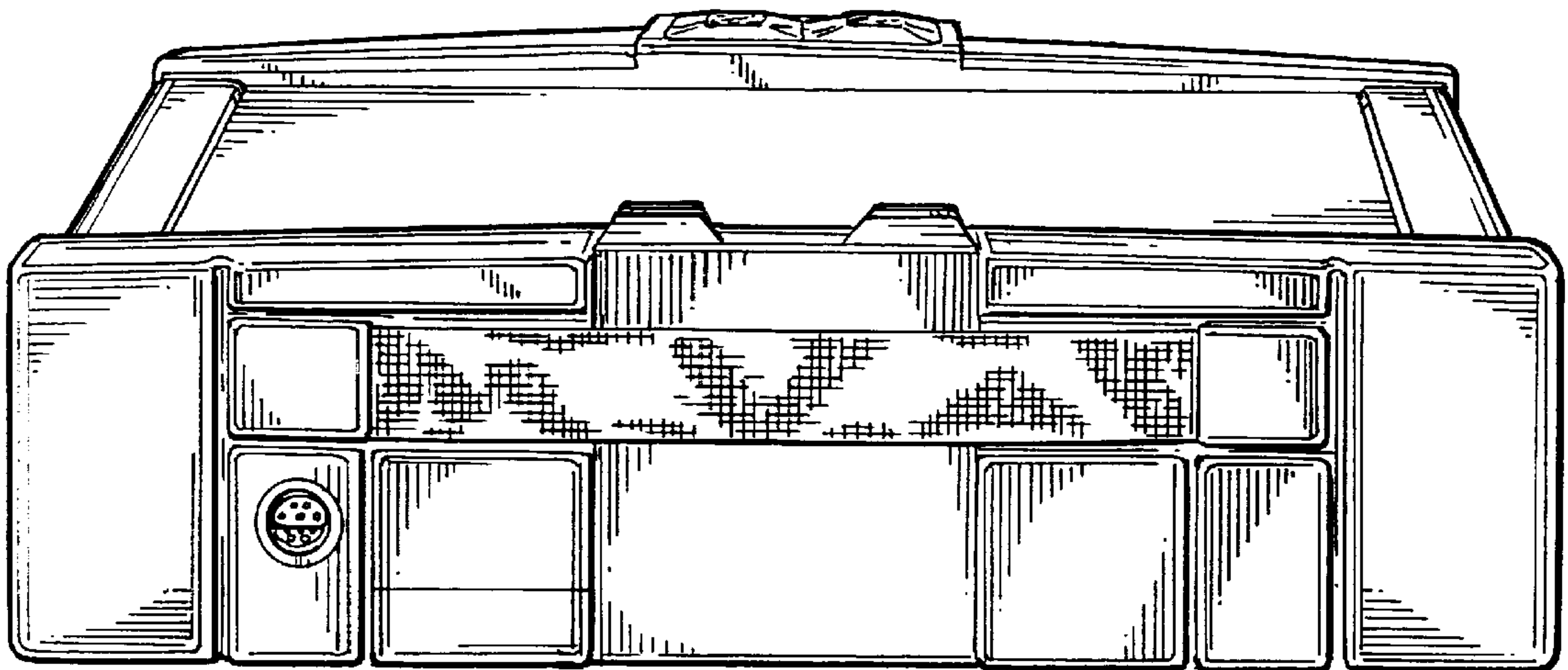


FIG. 8

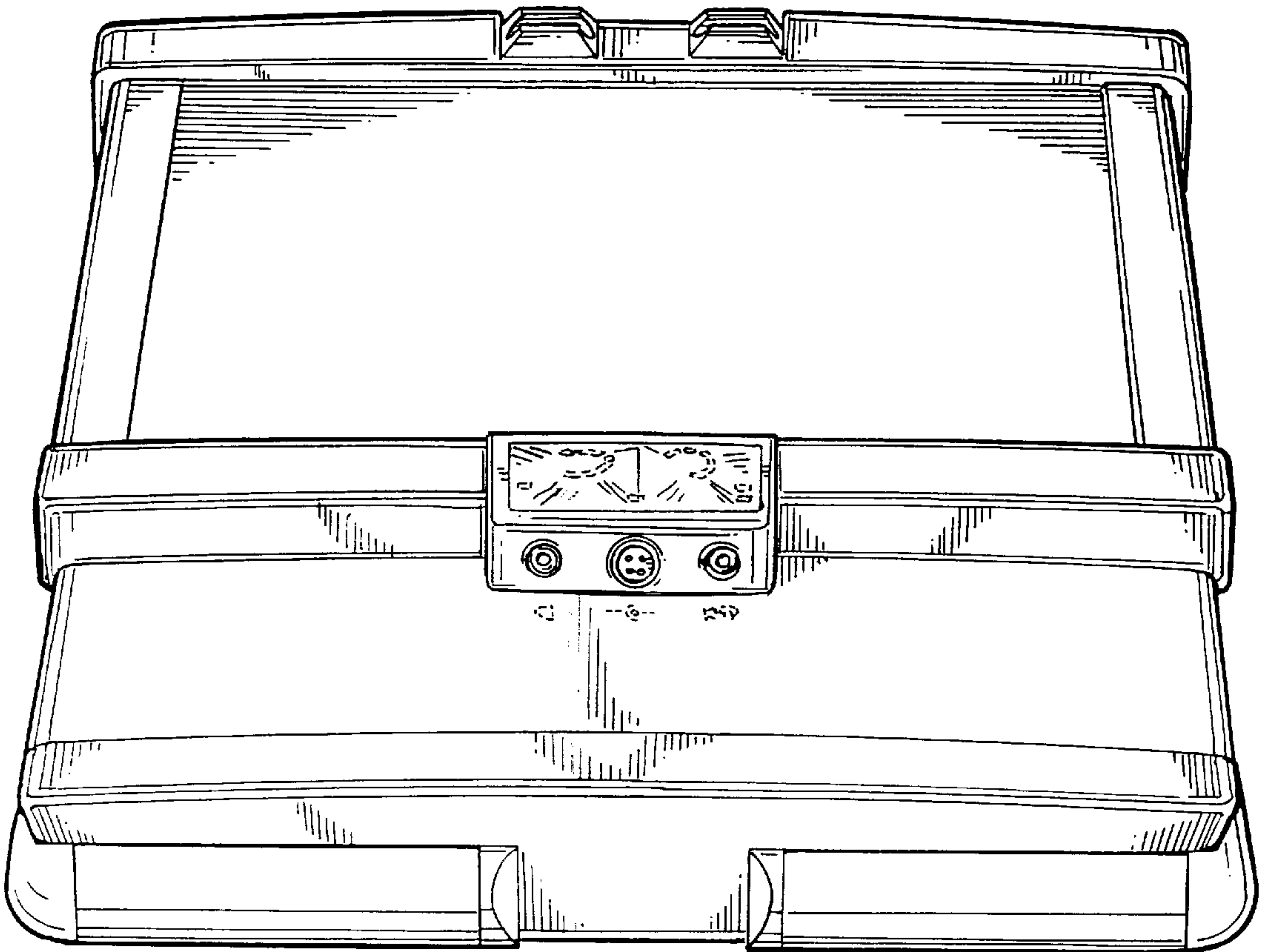


FIG. 7

FIG. 9

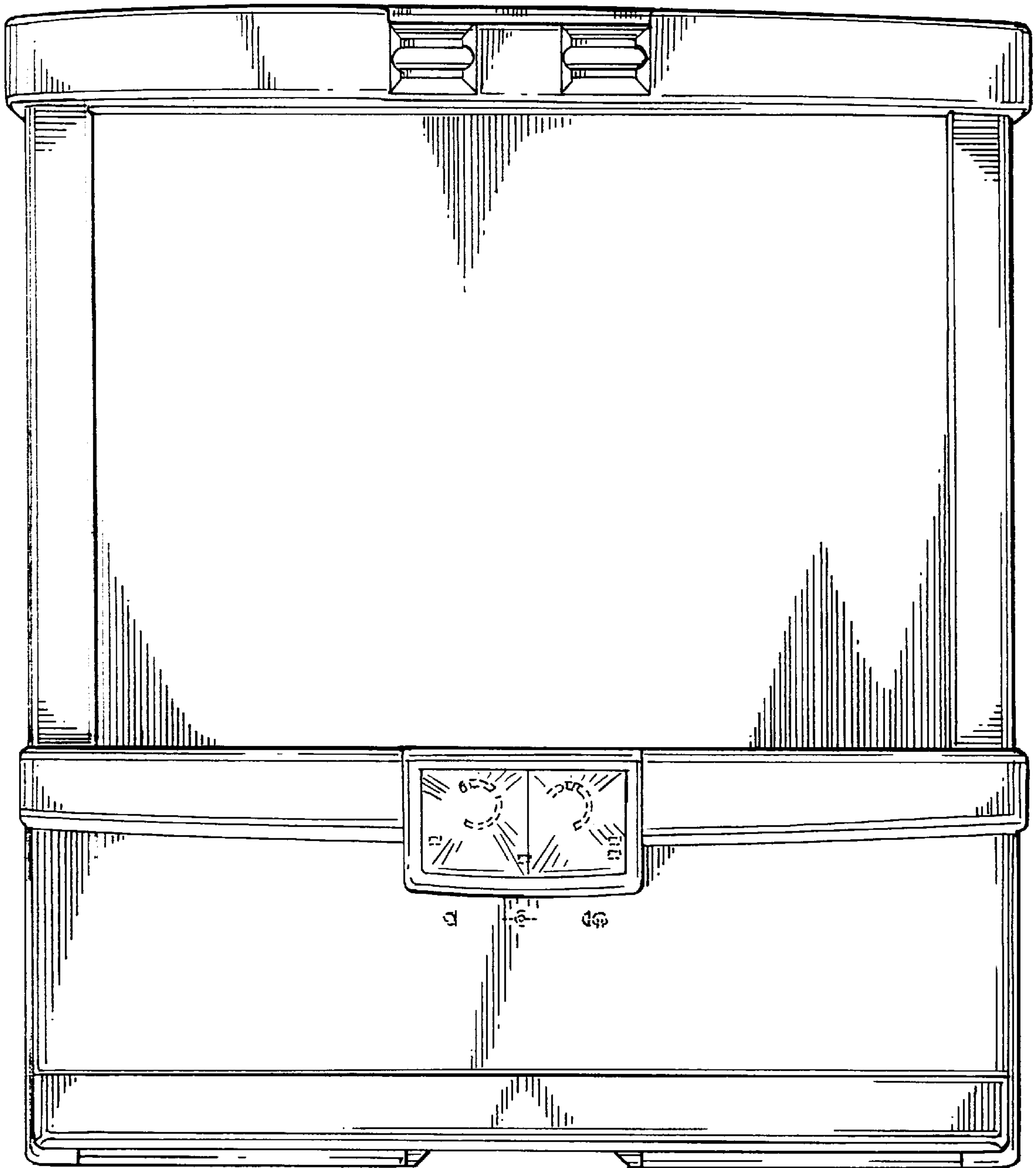




FIG. 10

