



US00D398589S

United States Patent [19]

Dodson

[11] **Patent Number: Des. 398,589**

[45] **Date of Patent: **Sep. 22, 1998**

[54] **COOLING DEVICE**

D. 378,815 4/1997 Dodson D13/179
D. 379,799 6/1997 Widmayer et al. D13/179

[76] Inventor: **Douglas A. Dodson**, 5995 Avenida Encinas, Carlsbad, Calif. 92008

Primary Examiner—Brian N. Vinson
Attorney, Agent, or Firm—Calif Tervo

[**] Term: **14 Years**

[57] **CLAIM**

[21] Appl. No.: **71,835**

The ornamental design for a cooling device, as shown and described.

[22] Filed: **May 27, 1997**

[51] **LOC (6) Cl.** **13-03**

[52] **U.S. Cl.** **D13/179**

[58] **Field of Search** D13/179; 174/16.3; 361/704, 709; 257/718, 719, 722

DESCRIPTION

FIG. 1 is a perspective view of a first embodiment of a cooling device showing my new design;
FIG. 2 is a top plan view thereof;
FIG. 3 is a right side elevational view thereof;
FIG. 4 is a front elevational view thereof, the rear elevational view being a mirror image;
FIG. 5 is a left side elevational view thereof; and,
FIG. 6 is a bottom plan view thereof.

[56] **References Cited**

U.S. PATENT DOCUMENTS

- D. 203,543 1/1966 Coe D13/179
- D. 357,670 4/1995 Dodson D13/179
- D. 367,469 2/1996 Widmayer et al. D13/179
- D. 375,725 11/1996 Dodson D13/179

1 Claim, 2 Drawing Sheets

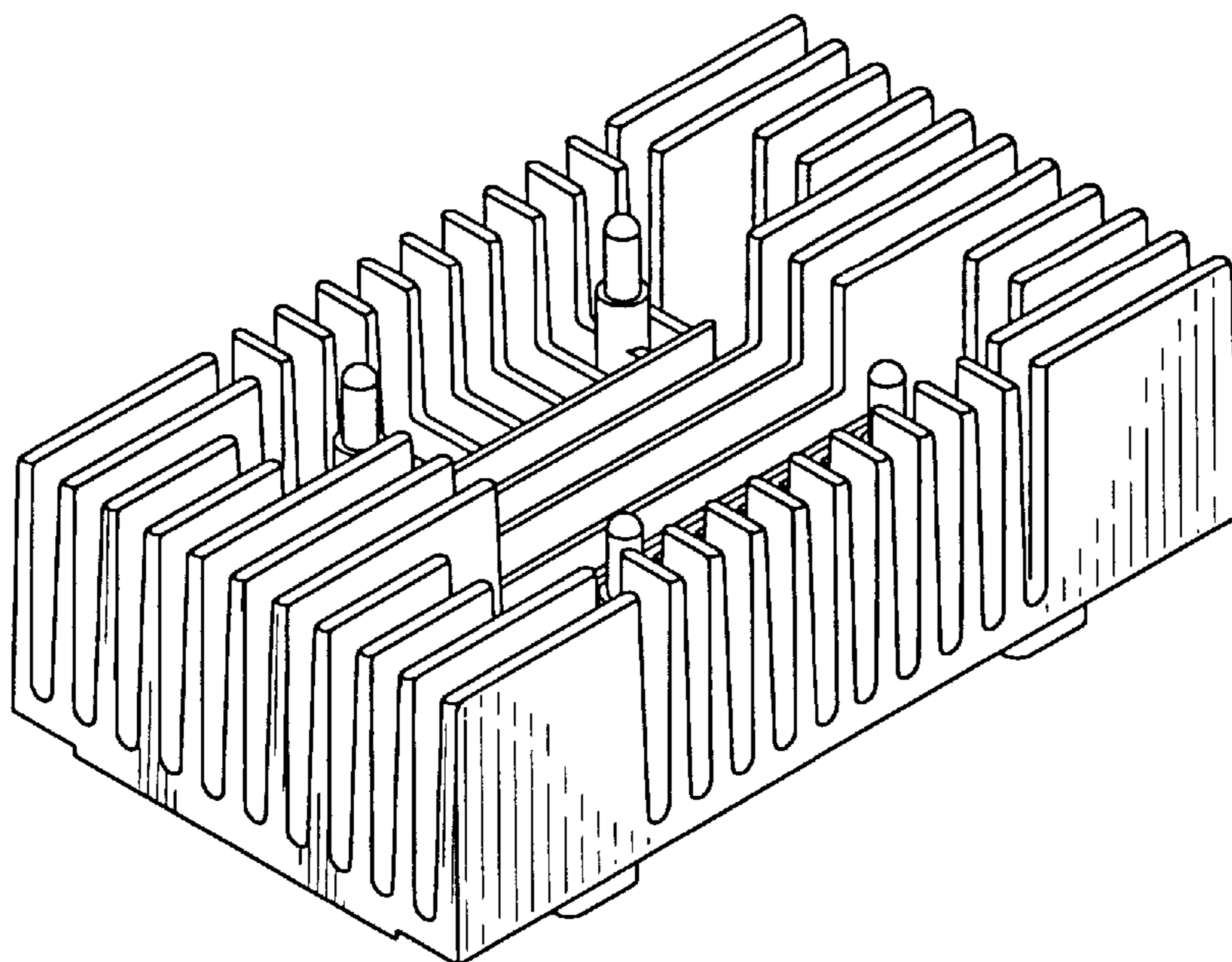


FIG. 1

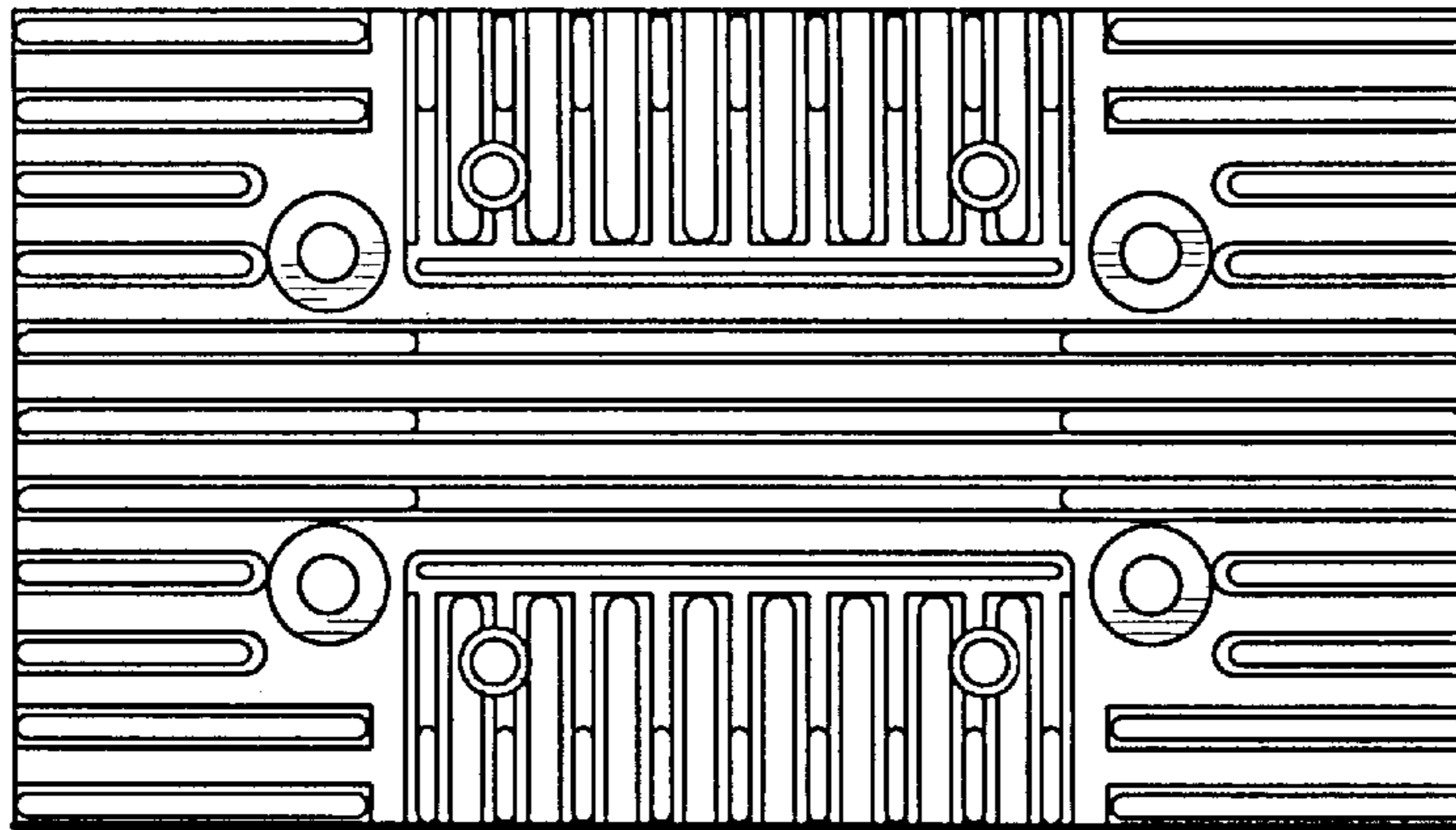
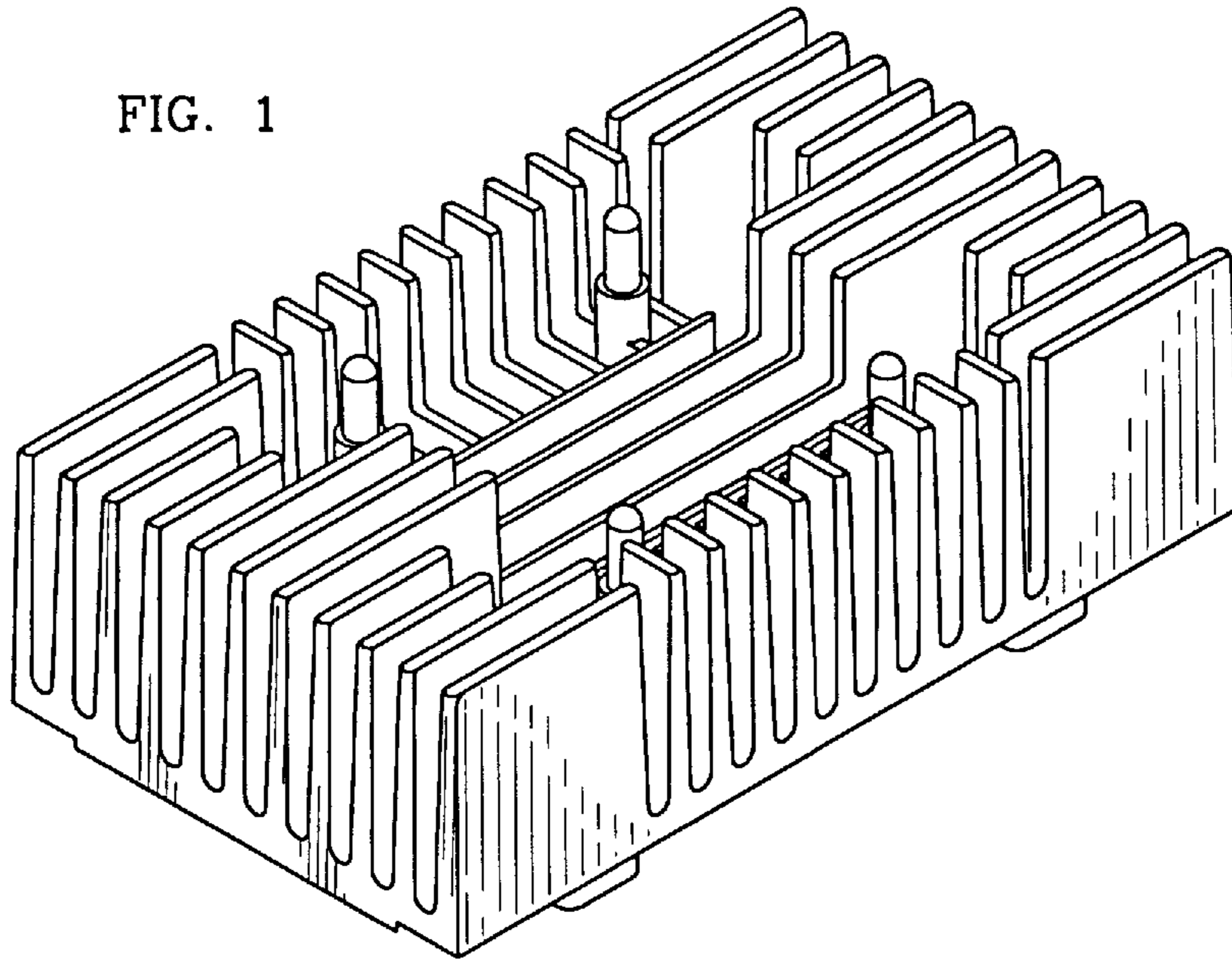


FIG. 2

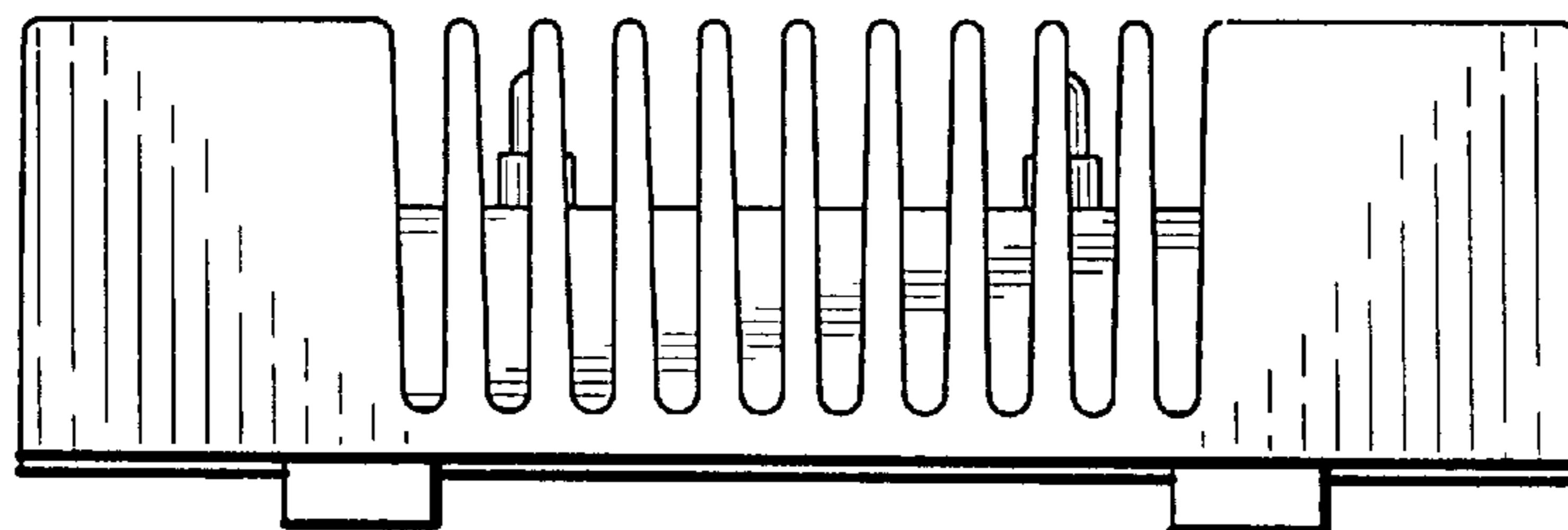


FIG. 3

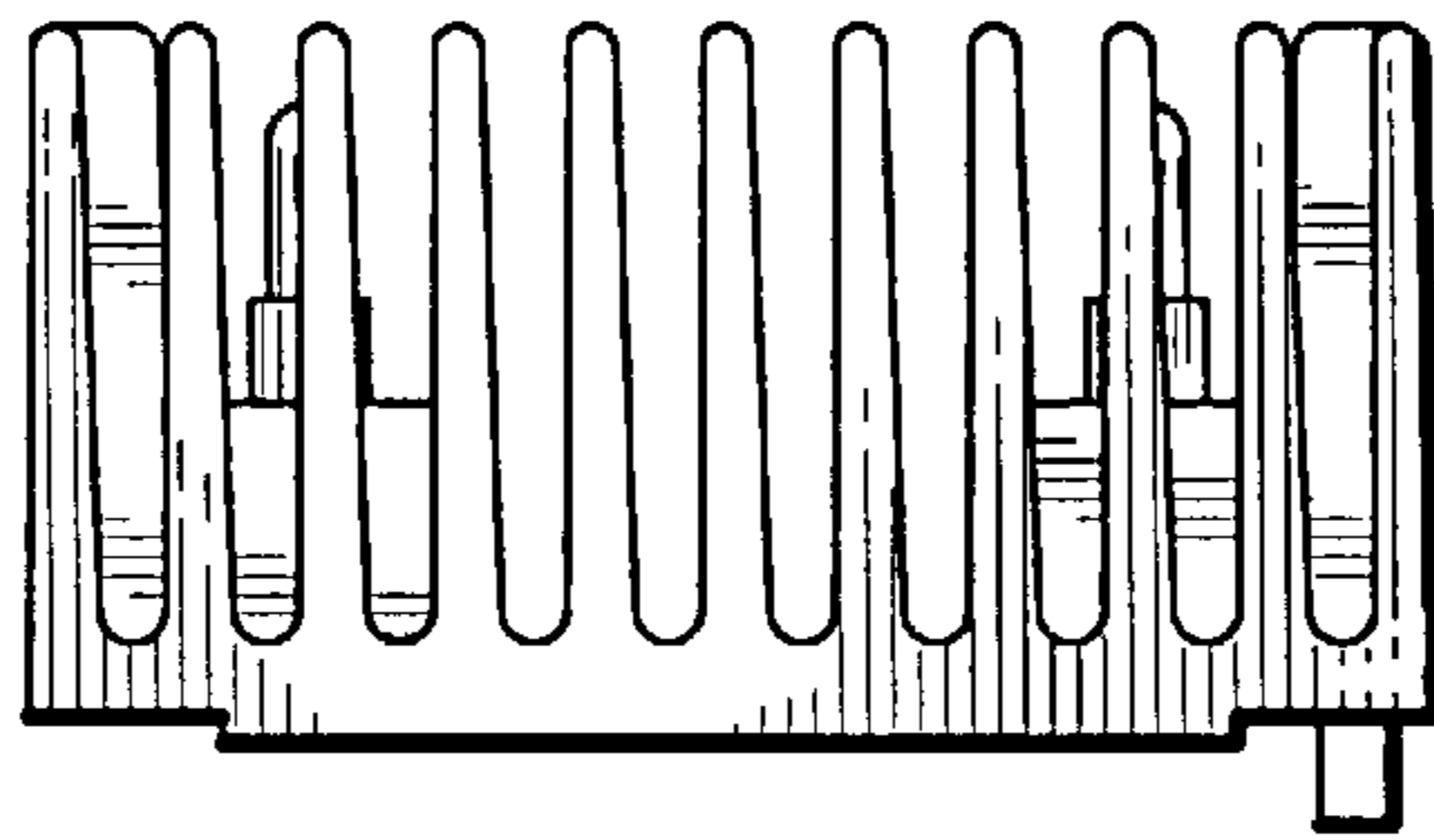


FIG. 4

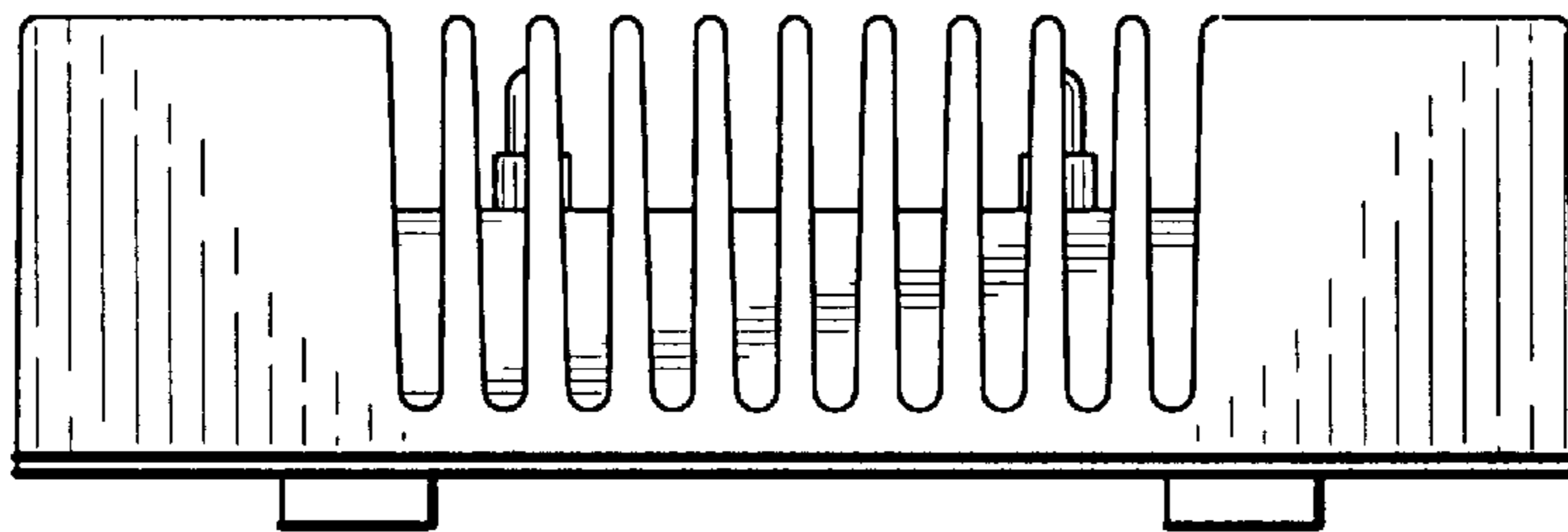


FIG. 5

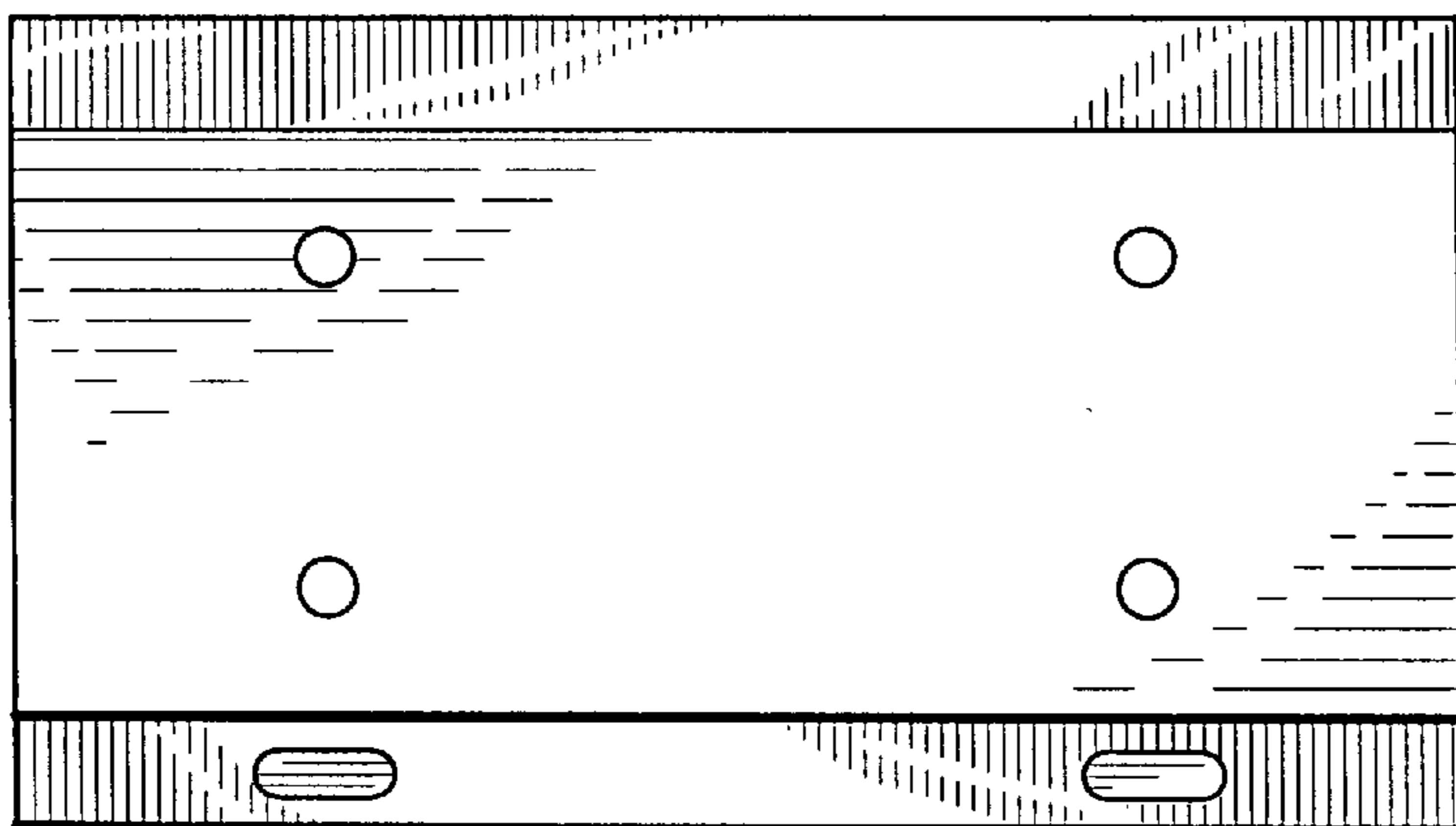


FIG. 6