



US00D398582S

United States Patent [19]

Fryers

[11] **Patent Number: Des. 398,582**

[45] **Date of Patent: **Sep. 22, 1998**

[54] **ENCLOSURE FOR ELECTRONIC CIRCUITRY**

[75] Inventor: **Bruce Fryers**, Bedfordshire, United Kingdom

[73] Assignee: **3Com Limited**, Hertfordshire, United Kingdom

[**] Term: **14 Years**

[21] Appl. No.: **58,187**

[22] Filed: **Aug. 9, 1996**

[30] **Foreign Application Priority Data**

Feb. 9, 1996 [GB] United Kingdom 2054007

[51] **LOC (6) Cl.** **13-03**

[52] **U.S. Cl.** **D13/147; D14/100; D13/184**

[58] **Field of Search** D13/142, 146, D13/147, 184; D14/100, 102, 107, 114; D10/80, 103; 174/50-52.4; 361/679-821

[56] **References Cited**

U.S. PATENT DOCUMENTS

D. 341,570 11/1993 Brandt et al. D14/100

D. 353,800 12/1994 Lewis et al. D13/184
D. 357,001 4/1995 Merino D14/100
D. 381,317 7/1997 Yu D13/142
4,901,205 2/1990 Landis et al. 174/51 X
5,440,450 8/1995 Lau et al. 361/695

Primary Examiner—James Gandy
Assistant Examiner—Cathron B. Matta
Attorney, Agent, or Firm—Mark A. Haynes; Wilson, Sonsini, Goodrich & Rosati

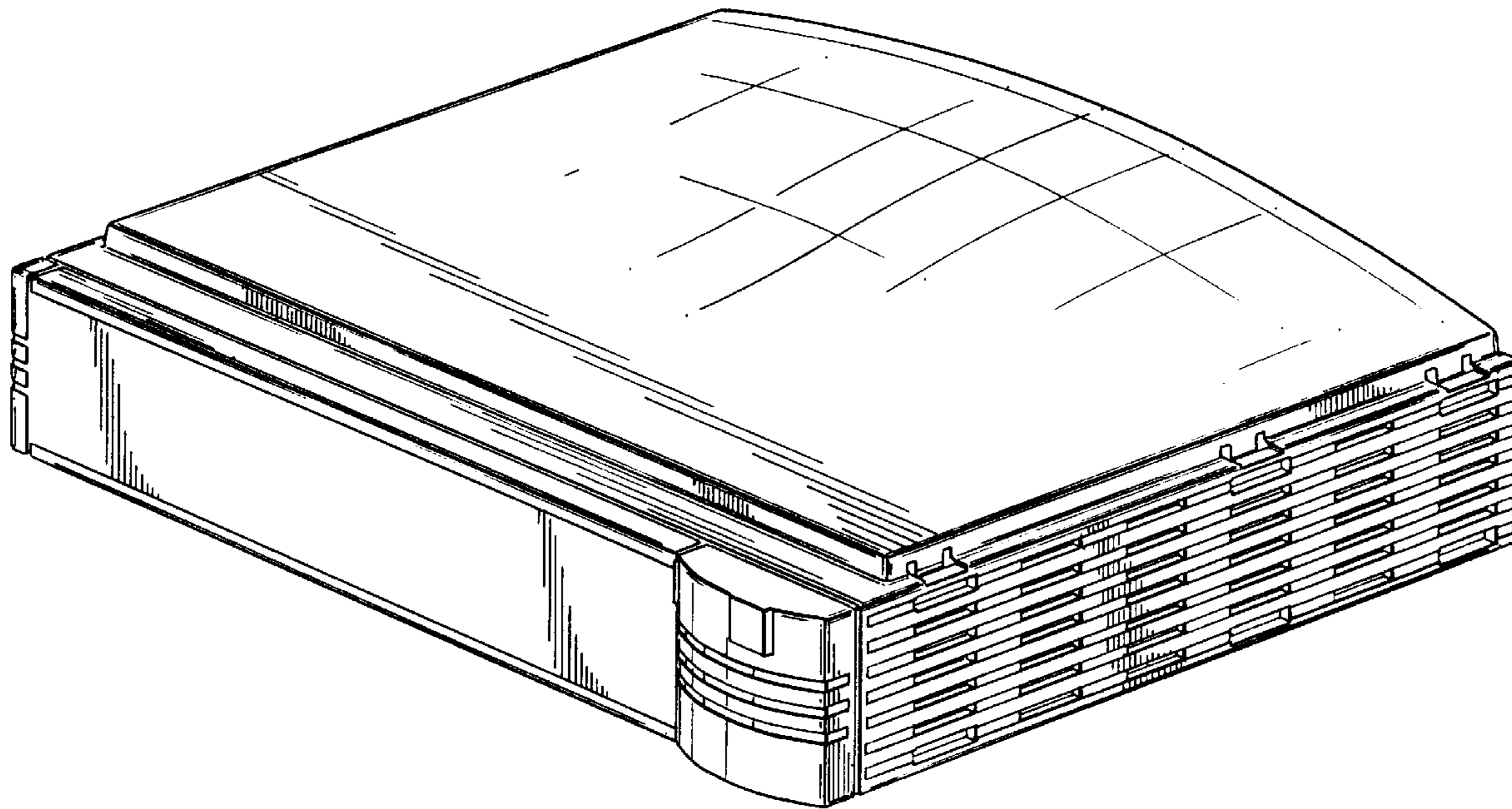
[57] **CLAIM**

The ornamental design for an enclosure for electronic circuitry, as shown and described.

DESCRIPTION

FIG. 1 is a top, front, right perspective view of an enclosure for electronic circuitry, such as a network interconnecting device like a multiport repeater, showing my new design; FIG. 2 is a top, back, right perspective thereof; and, FIG. 3 is a bottom, back, right perspective thereof. The left side elevation is a mirror image of the right side shown in FIGS. 1-3.

1 Claim, 3 Drawing Sheets



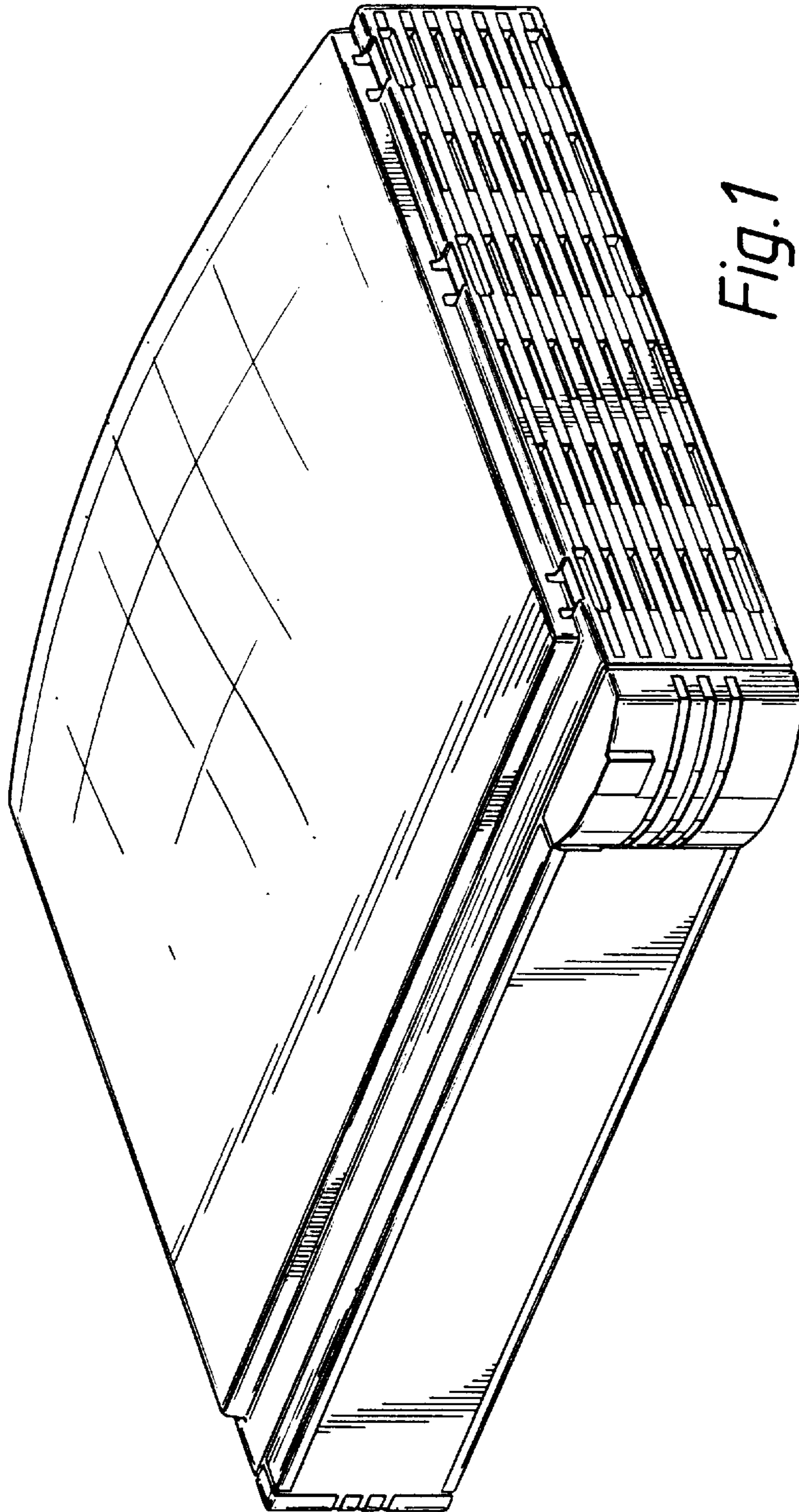


Fig. 1

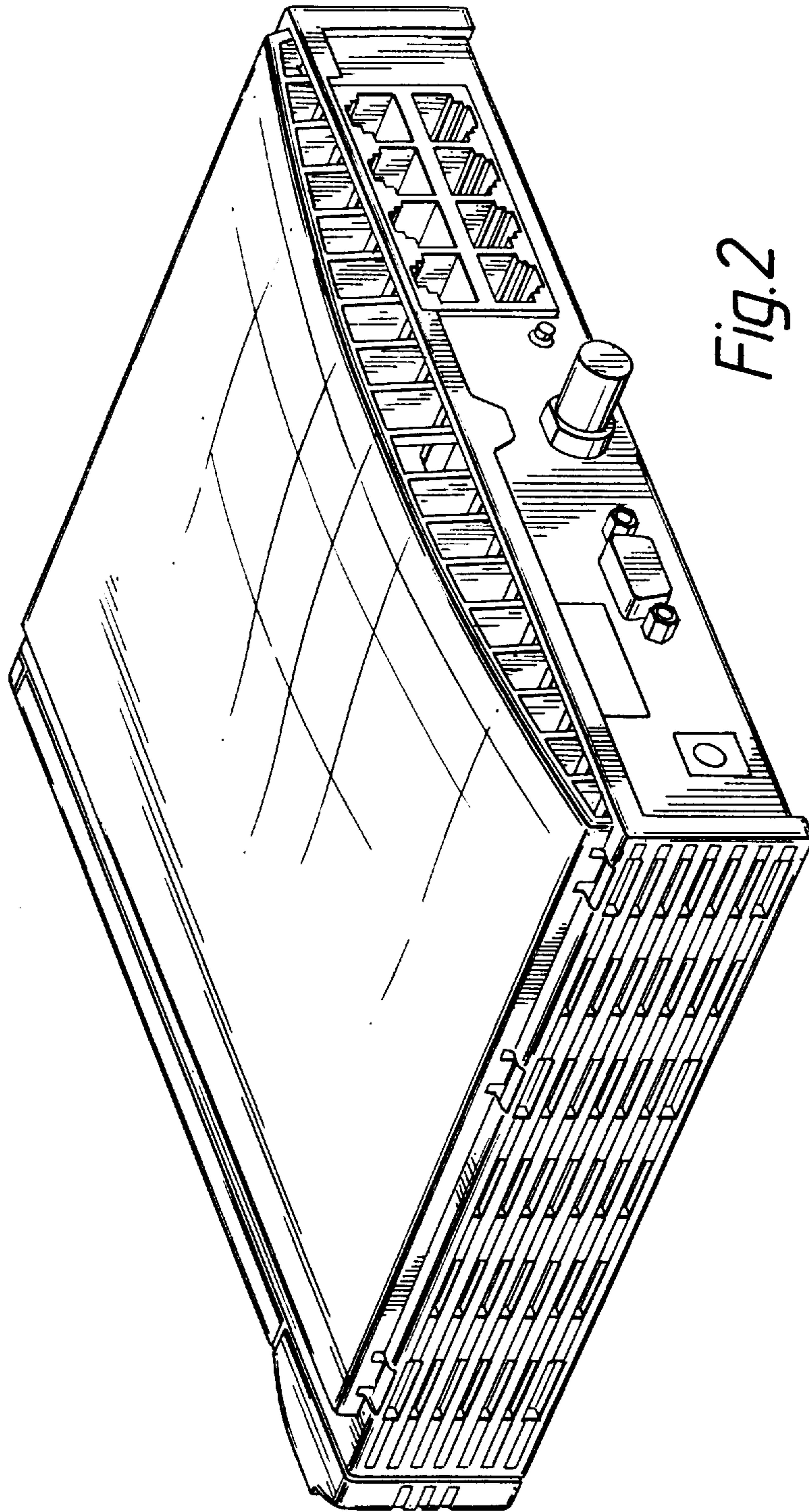


FIG. 2

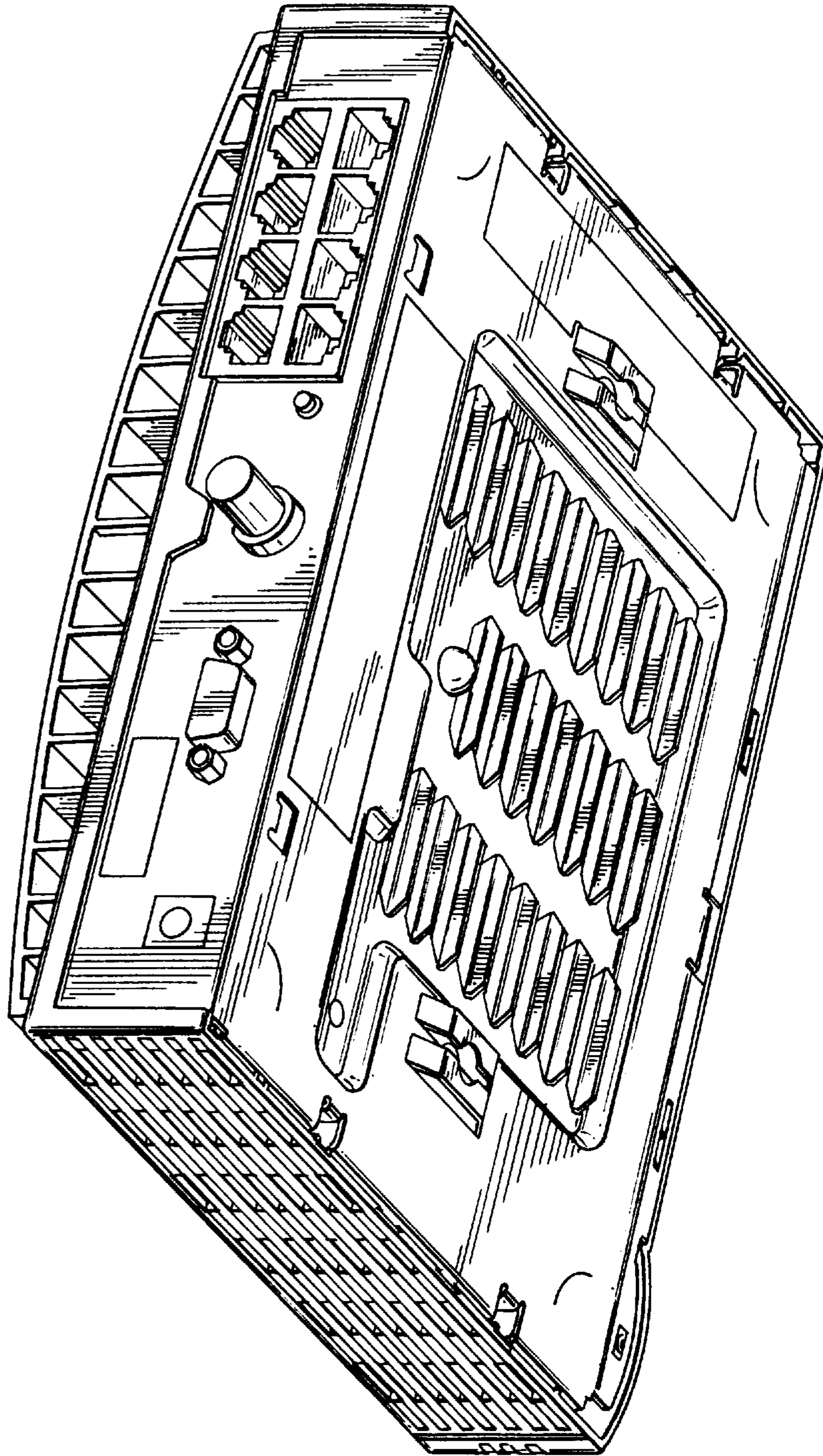


Fig. 3