



US00D398581S

United States Patent [19] Chang

[11] **Patent Number: Des. 398,581**

[45] **Date of Patent: **Sep. 22, 1998**

[54] **PLUG**

[76] Inventor: **Yi-Huang Chang**, No. 29 Lu-Chiao S. Road, Ping Chen City, Taoyuan, Taiwan

[**] Term: **14 Years**

[21] Appl. No.: **67,933**

[22] Filed: **Mar. 12, 1997**

[51] **LOC (6) Cl. 13-03**

[52] **U.S. Cl. D13/138.1**

[58] **Field of Search** D13/138.1-138.2,
D13/137.1-137.4, 139.1-139.8; 439/140,
141, 152, 160, 484, 692-695, 135-137,
736, 477, 446, 164; 337/197, 198

[56] **References Cited**

U.S. PATENT DOCUMENTS

D. 179,343 12/1956 Gombar D13/138.2
D. 264,582 5/1982 Drew D13/138.2

D. 314,177 1/1991 Heiligenstein et al. D13/138.1
2,676,223 4/1954 Whitaker 337/197

Primary Examiner—Susan J. Lucas
Assistant Examiner—Jennifer Rivard
Attorney, Agent, or Firm—Meltzer, Lippe, Goldstein, Wolf & Schlissel, P.C.

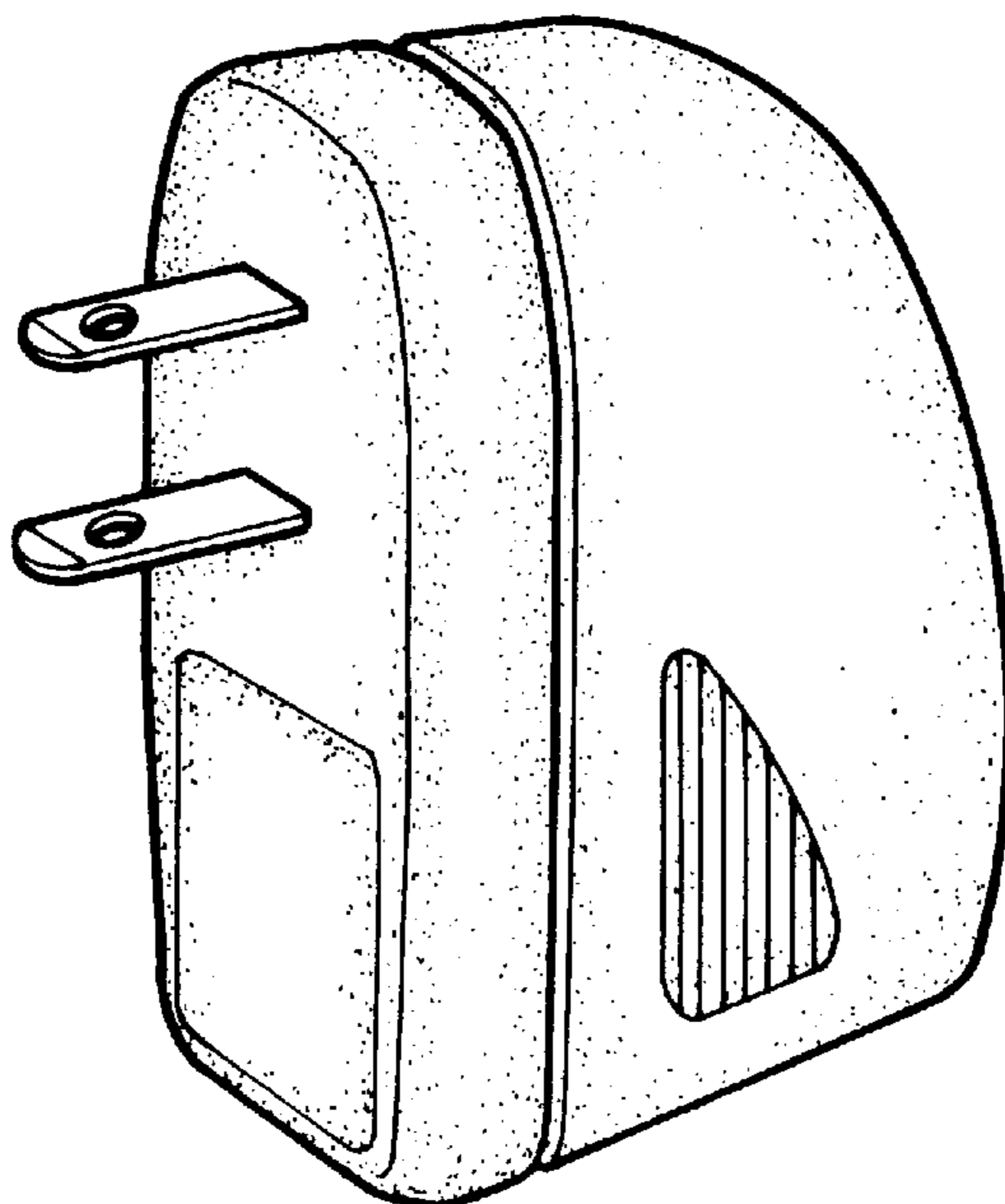
[57] **CLAIM**

The ornamental design for a plug, as shown and described.

DESCRIPTION

FIG. 1 is a perspective view of a plug showing my new design;
FIG. 2 is a front elevational view thereof;
FIG. 3 is a rear elevational view thereof;
FIG. 4 is a left side elevational view thereof;
FIG. 5 is a right side elevational view thereof;
FIG. 6 is a top plan view thereof; and,
FIG. 7 is a bottom plan view thereof.

1 Claim, 5 Drawing Sheets



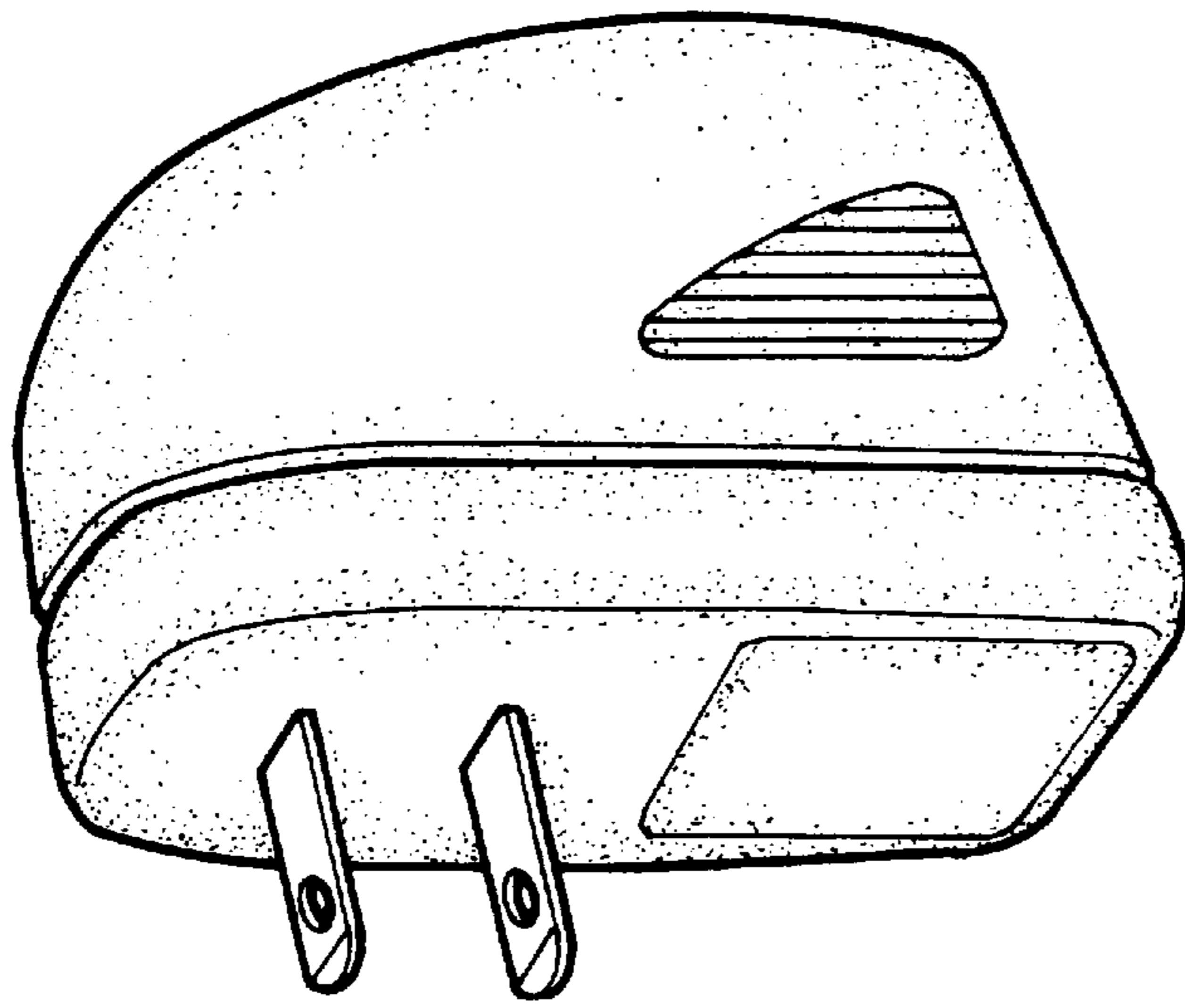


FIG.1

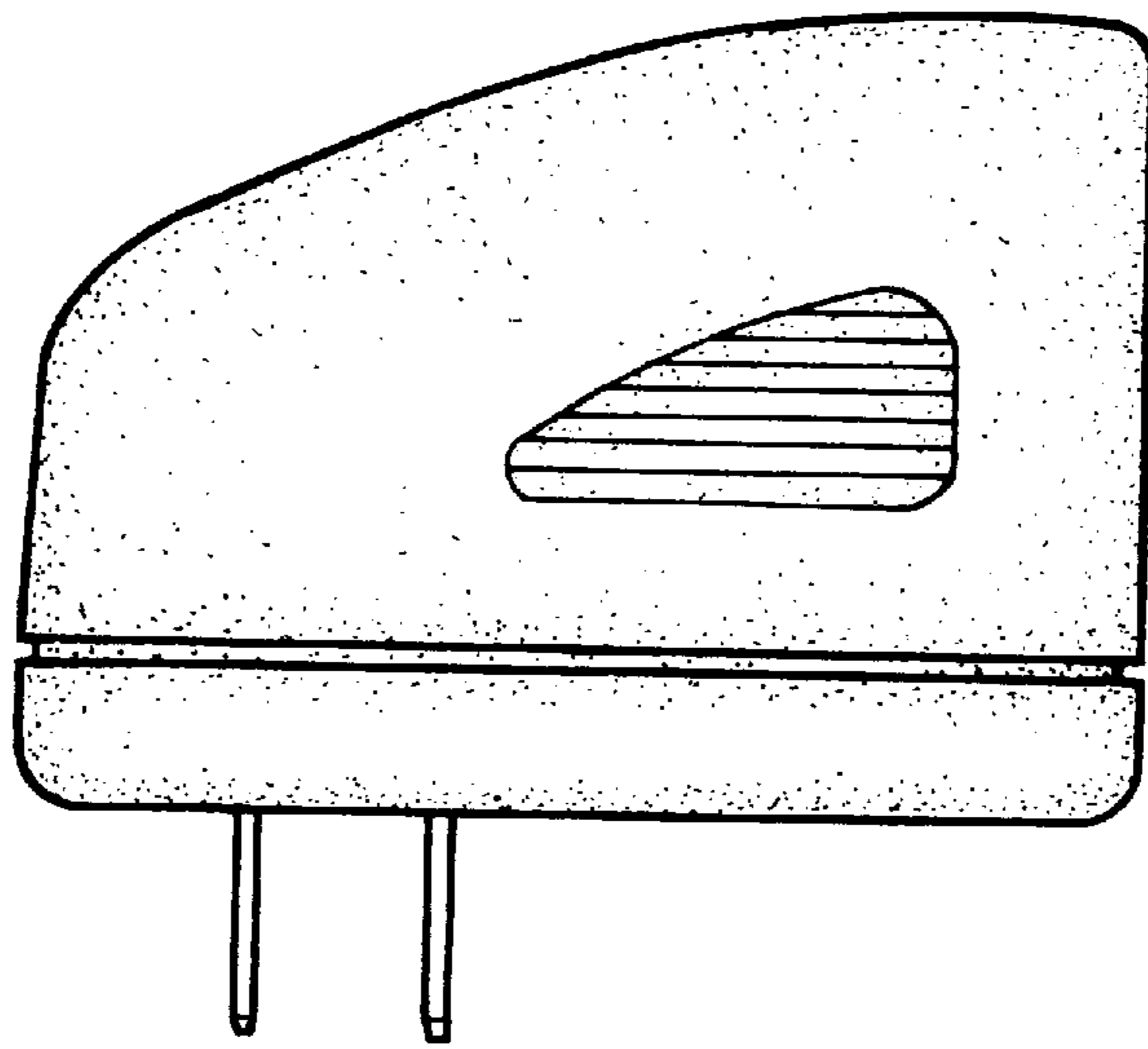


FIG.2

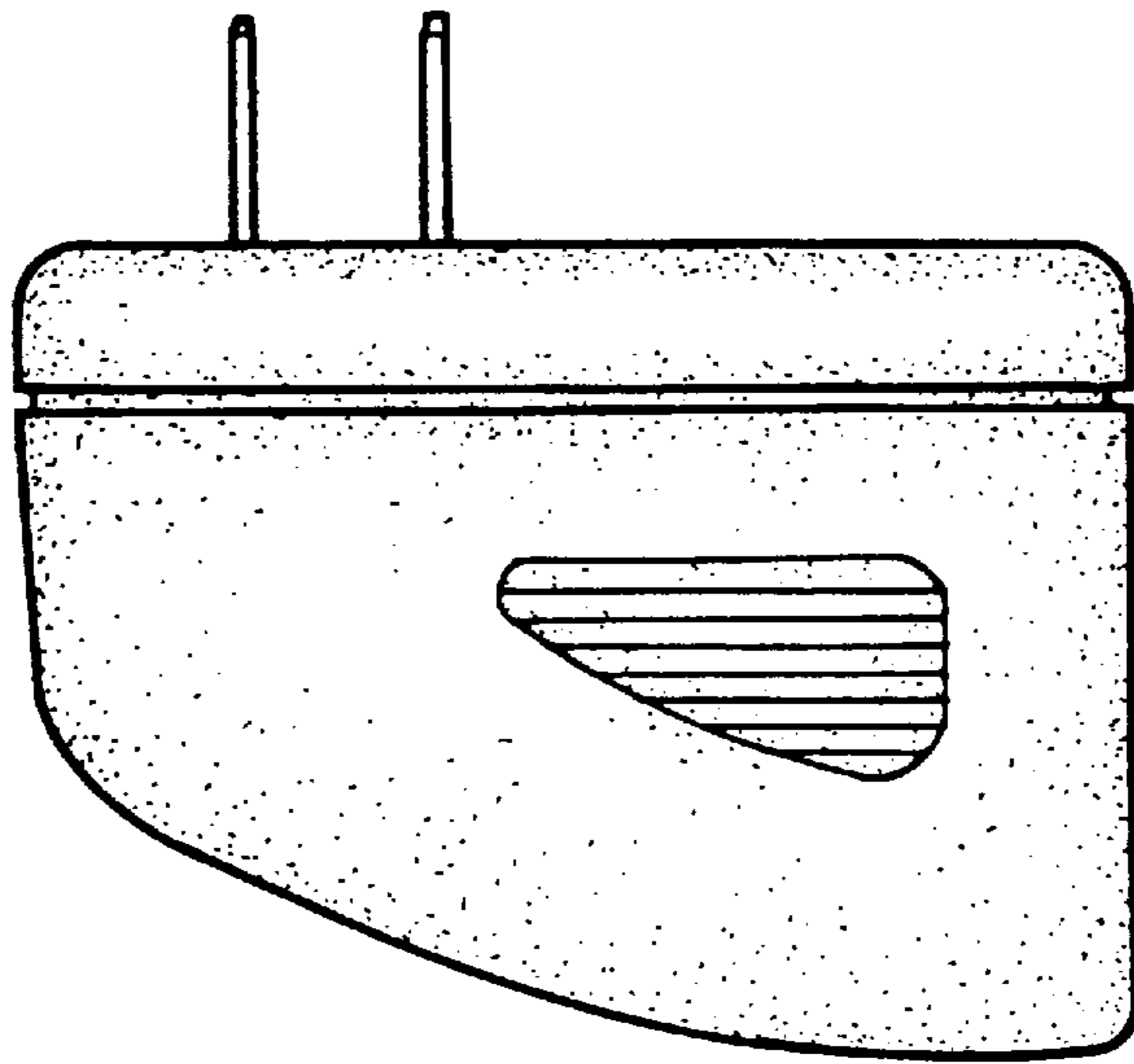


FIG.3

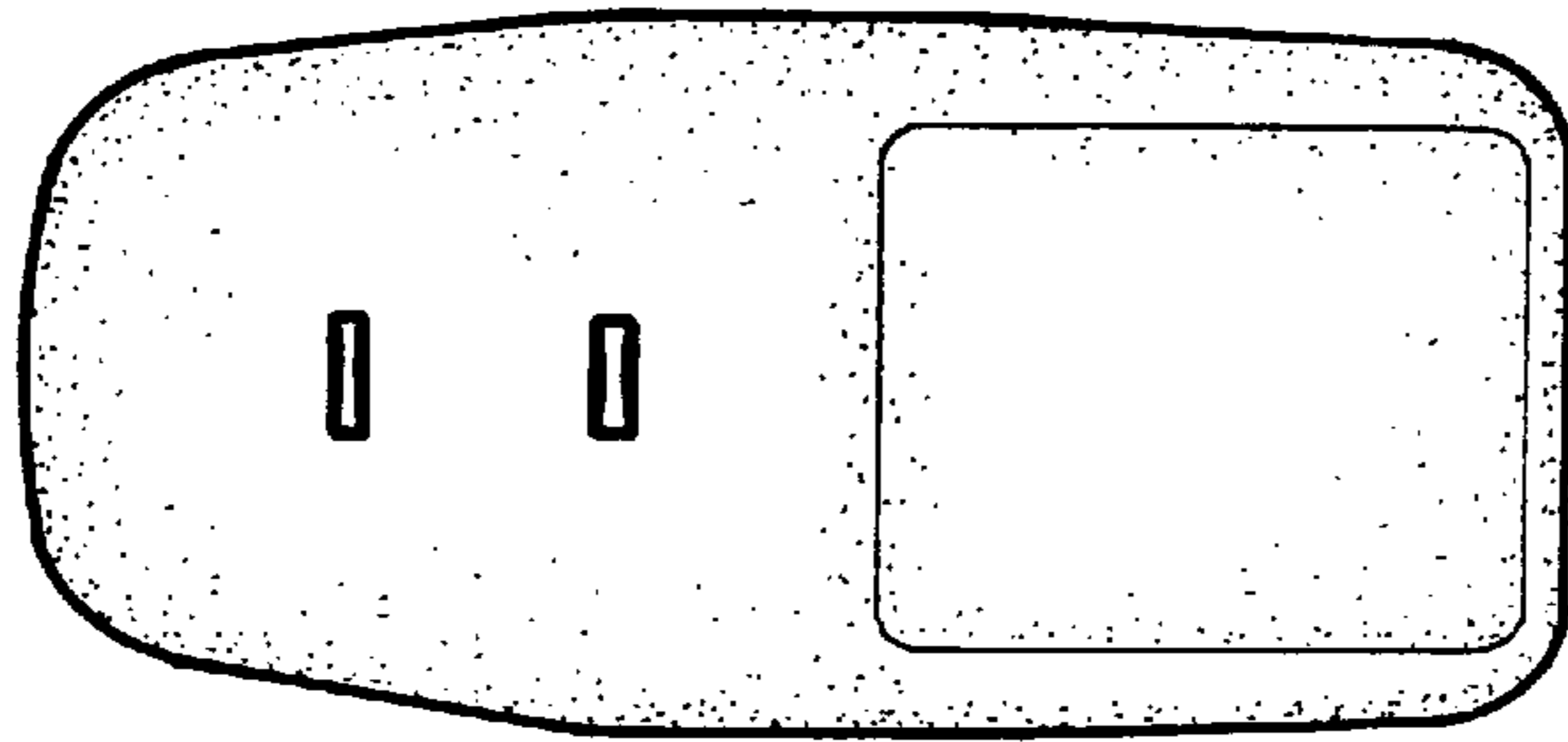


FIG.4

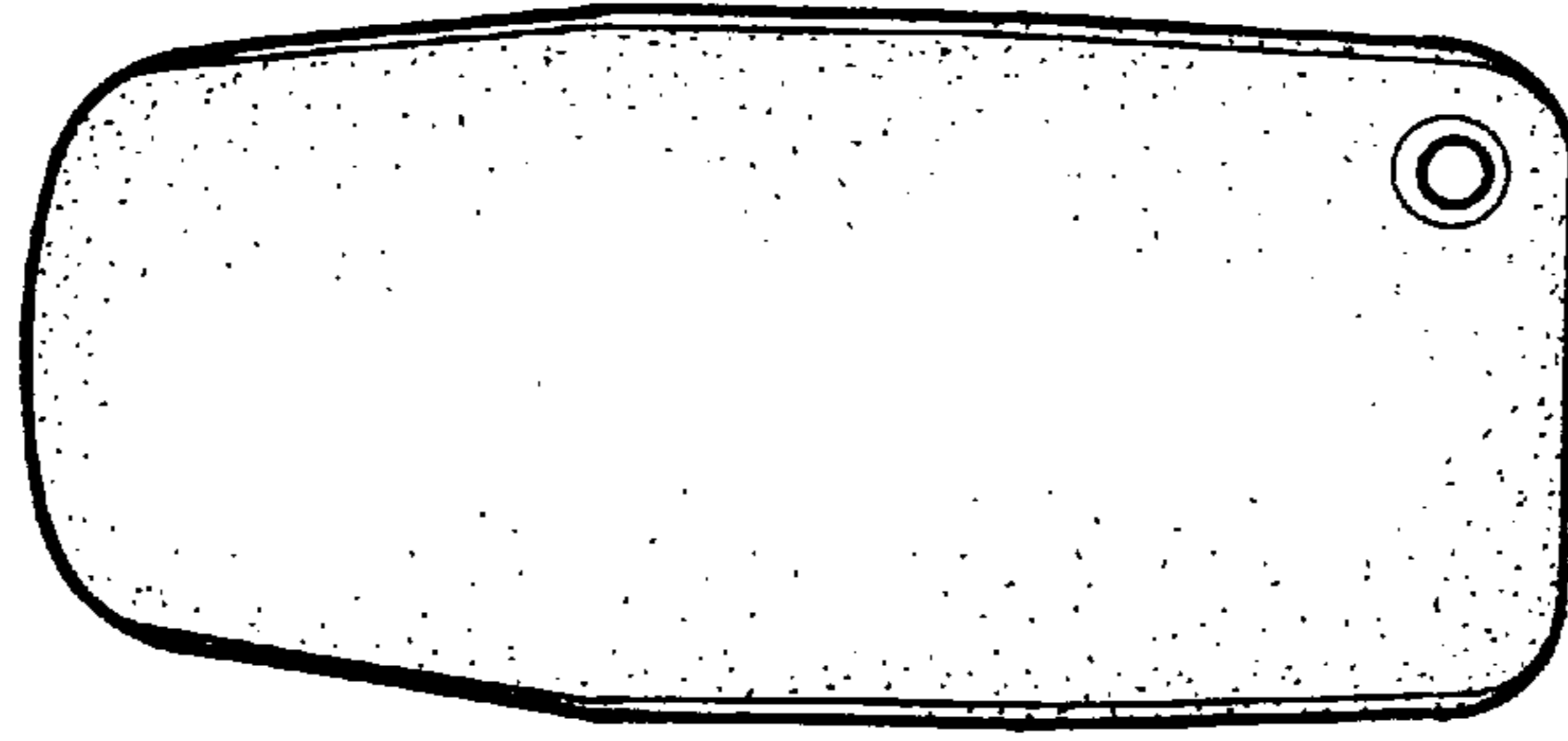


FIG.5

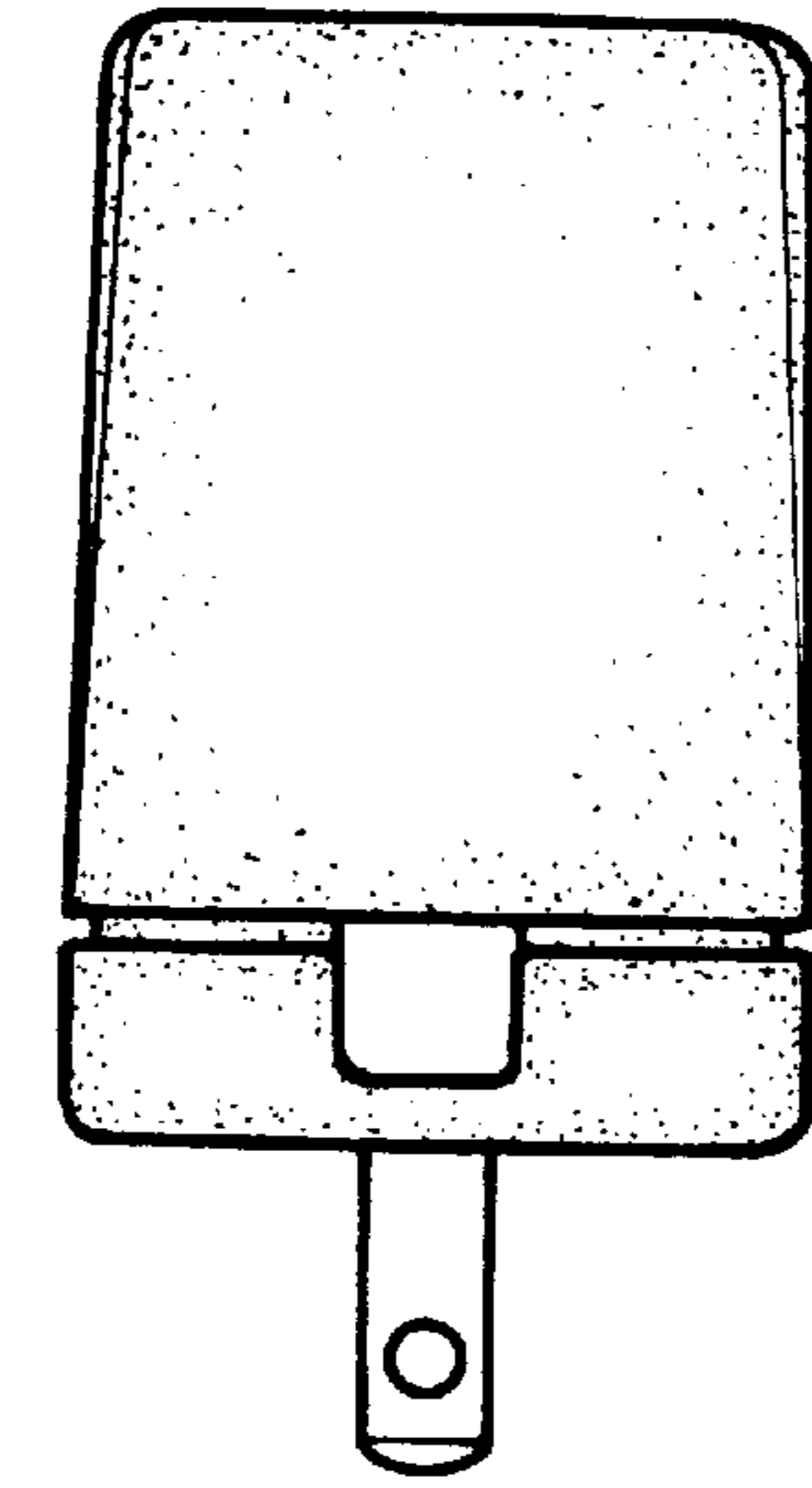


FIG. 6

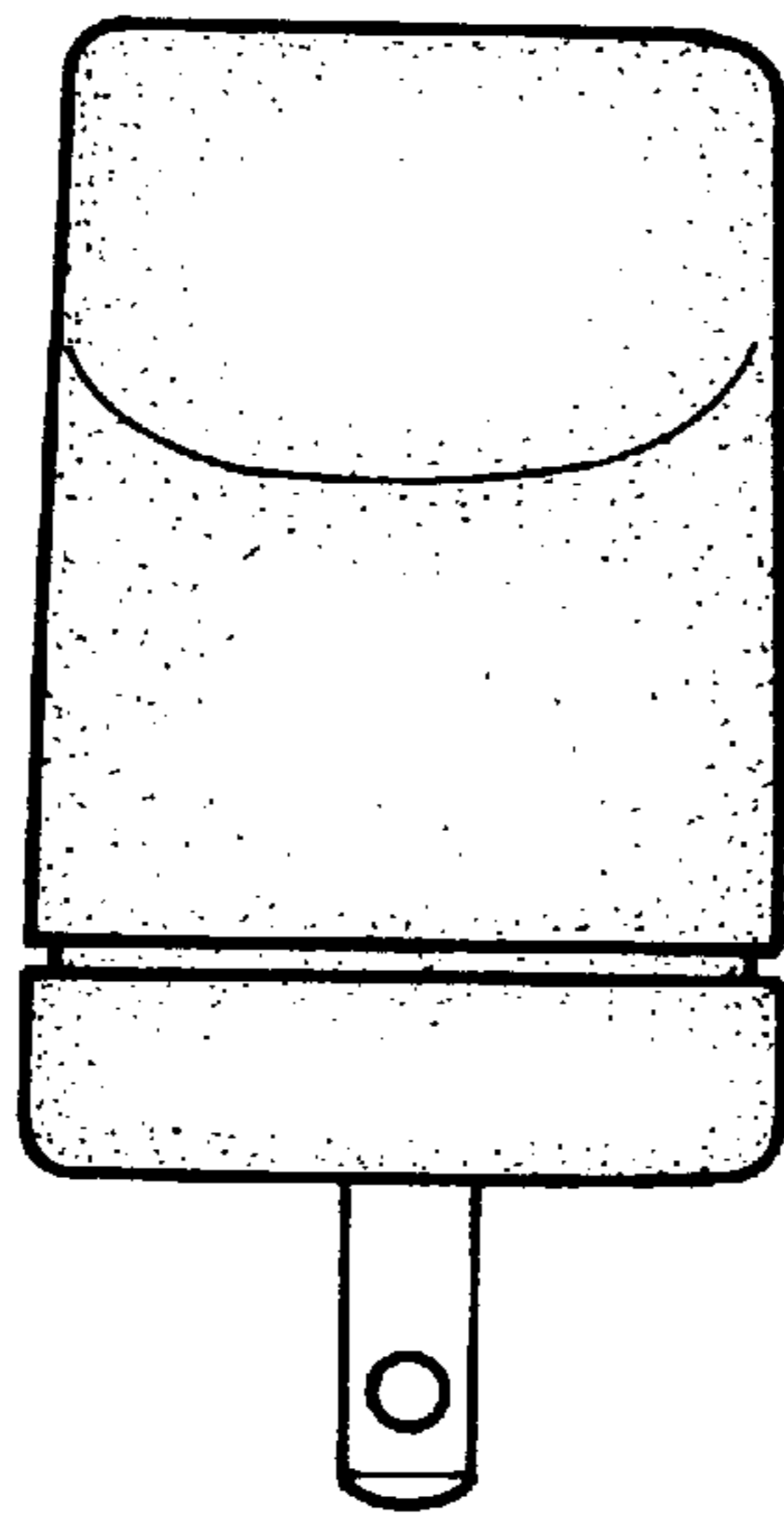


FIG. 7