



US00D398579S

United States Patent [19] Chaco

[11] **Patent Number: Des. 398,579**

[45] **Date of Patent: **Sep. 22, 1998**

[54] **BATTERY MOUNT**

[75] Inventor: **John Chaco**, Seymour, Conn.

[73] Assignee: **Executone Information Systems, Inc.**,
Milford, Conn.

[**] Term: **14 Years**

[21] Appl. No.: **76,975**

[22] Filed: **Sep. 19, 1997**

[51] **LOC (6) Cl.** **13-02**

[52] **U.S. Cl.** **D13/119; D10/128**

[58] **Field of Search** **D13/119; D10/31,**
D10/128; 368/10, 13; 429/121

[56] **References Cited**

U.S. PATENT DOCUMENTS

D. 386,745	11/1997	Kobylarz et al.	D13/119
3,644,873	2/1972	Dalton et al.	339/79
4,515,872	5/1985	Okano	429/65
4,764,129	8/1988	Jones et al.	439/677

5,008,864	4/1991	Yoshitake	368/10
5,415,947	5/1995	Mitsui et al.	429/1
5,481,506	1/1996	Kita	368/10
5,508,123	4/1996	Fan	429/96

Primary Examiner—Joel Sincavage
Attorney, Agent, or Firm—Dilworth & Barrese

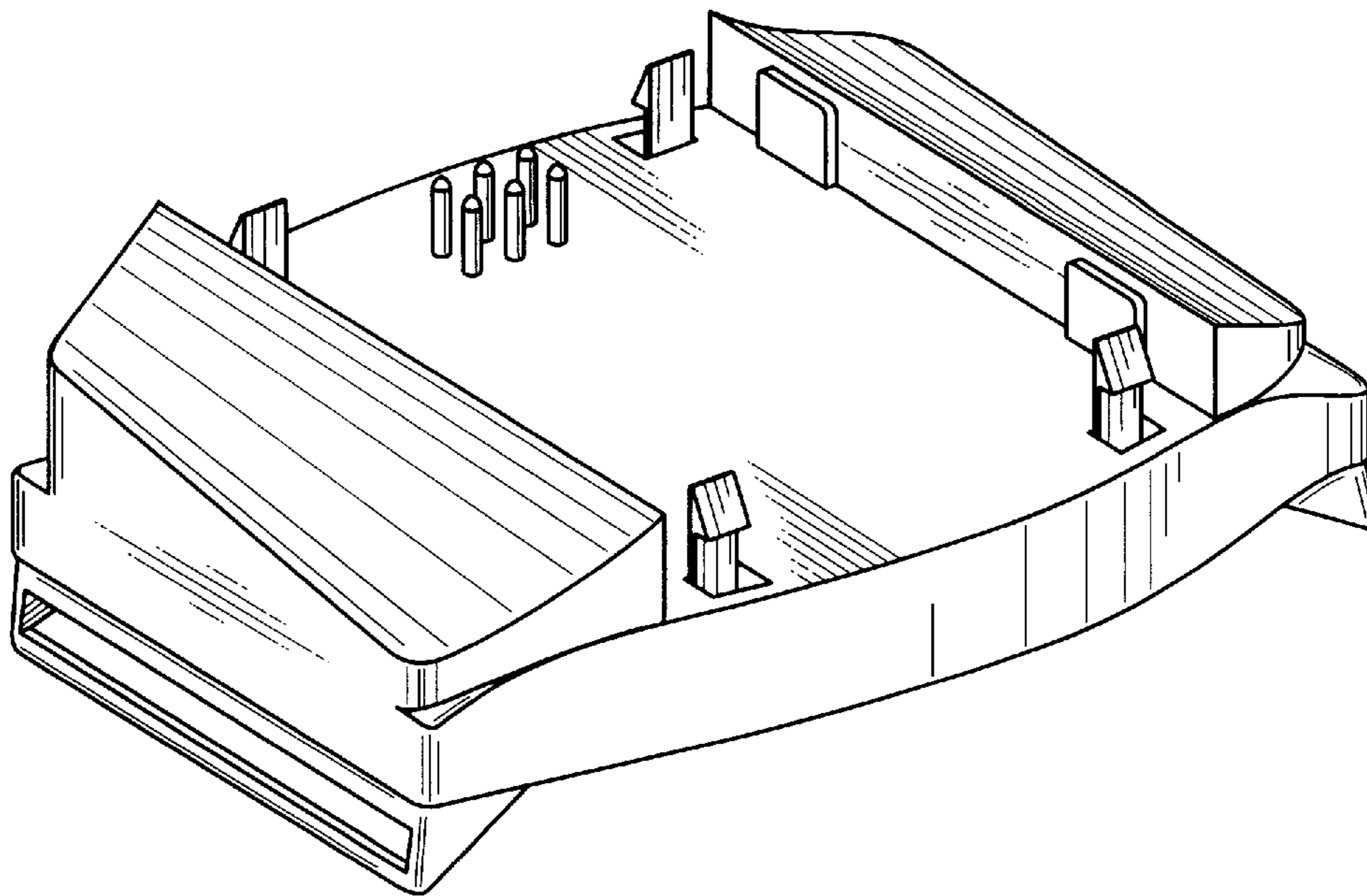
[57] **CLAIM**

The ornamental design for a battery mount, as shown and described.

DESCRIPTION

FIG. 1 is a perspective view of a battery mount constructed in accordance with the presently disclosed design; FIG. 2 is a front elevational view thereof; FIG. 3 is a rear elevational view thereof; FIG. 4 is a top plan view thereof; FIG. 5 is a bottom plan view thereof; FIG. 6 is a left side elevational view; and, FIG. 7 is a right side elevational view thereof.

1 Claim, 2 Drawing Sheets



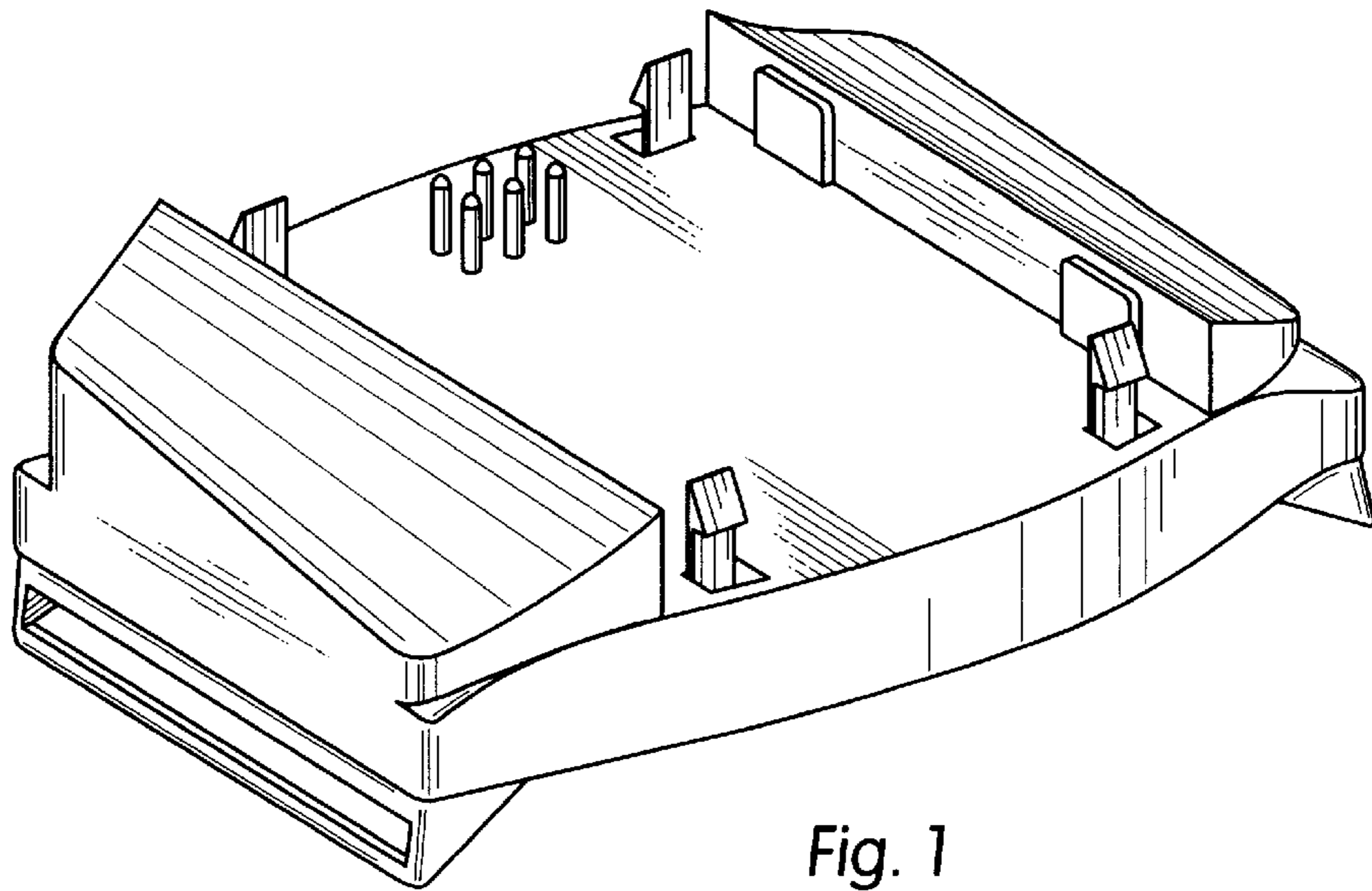


Fig. 1

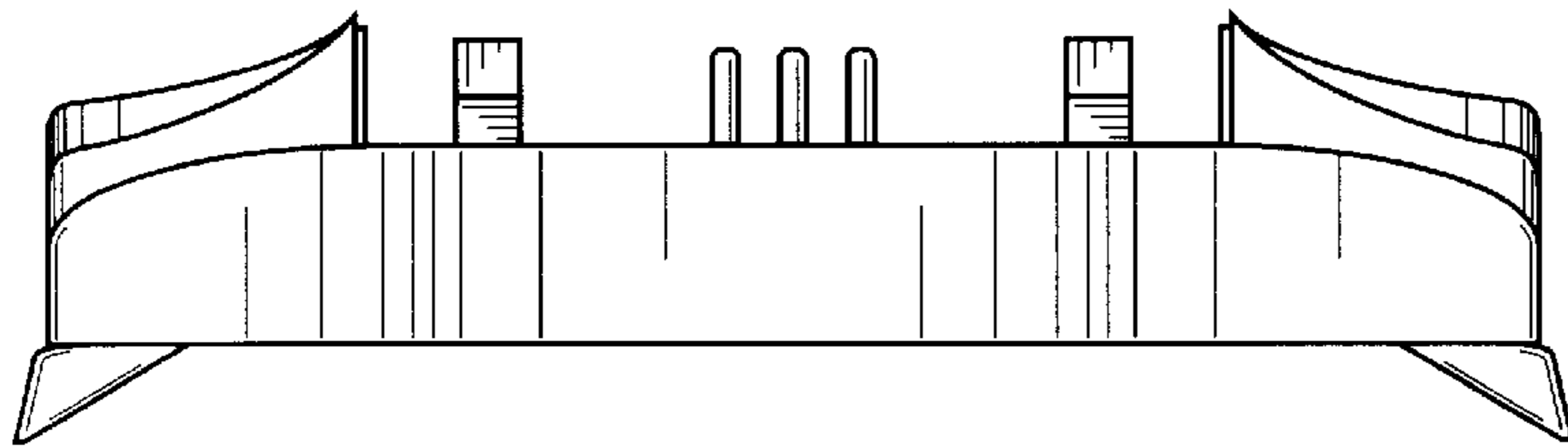


Fig. 2

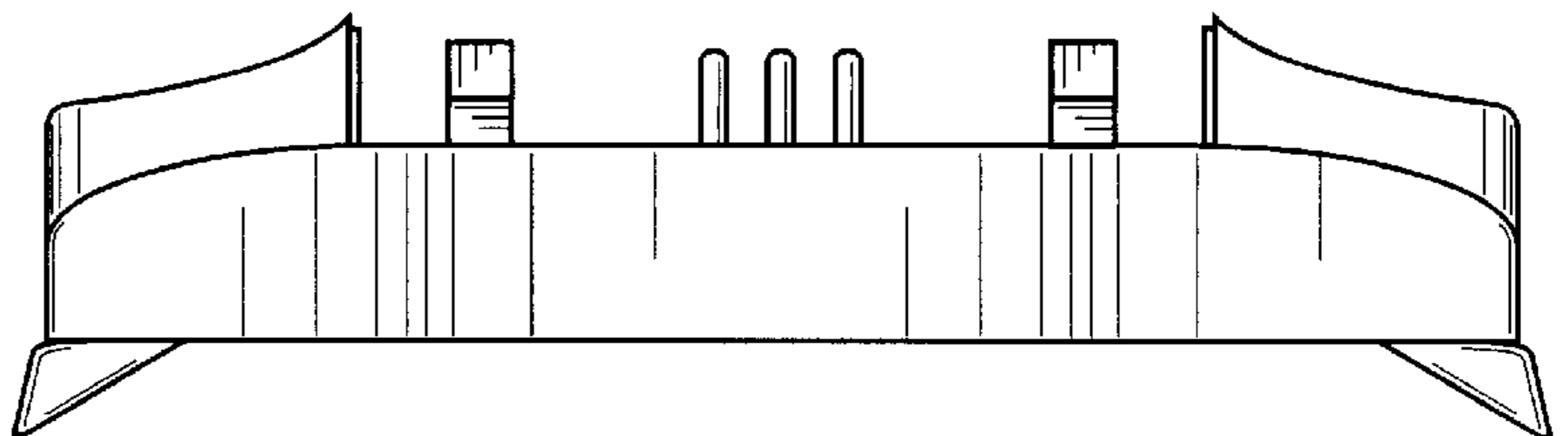


Fig. 3

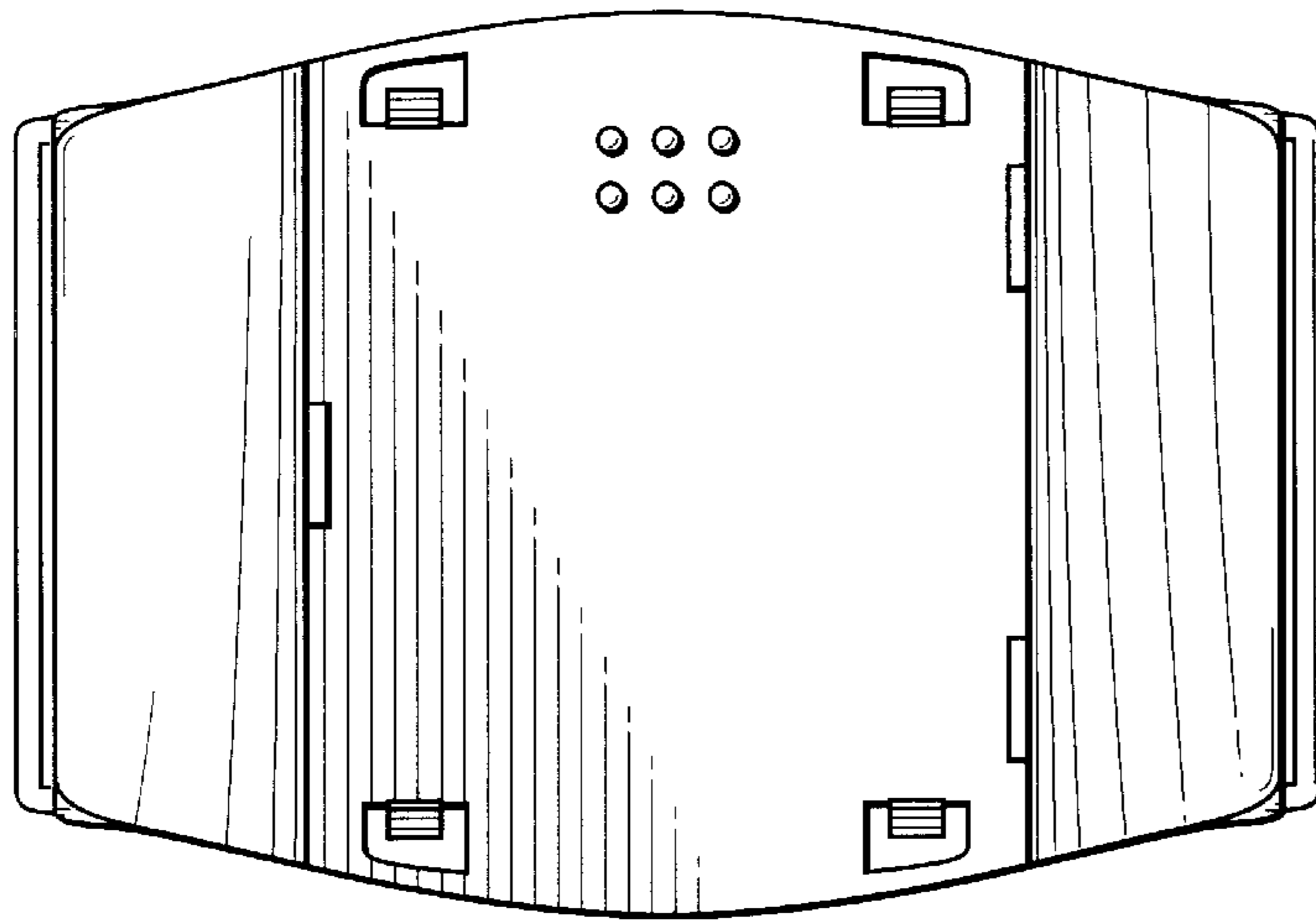


Fig. 4

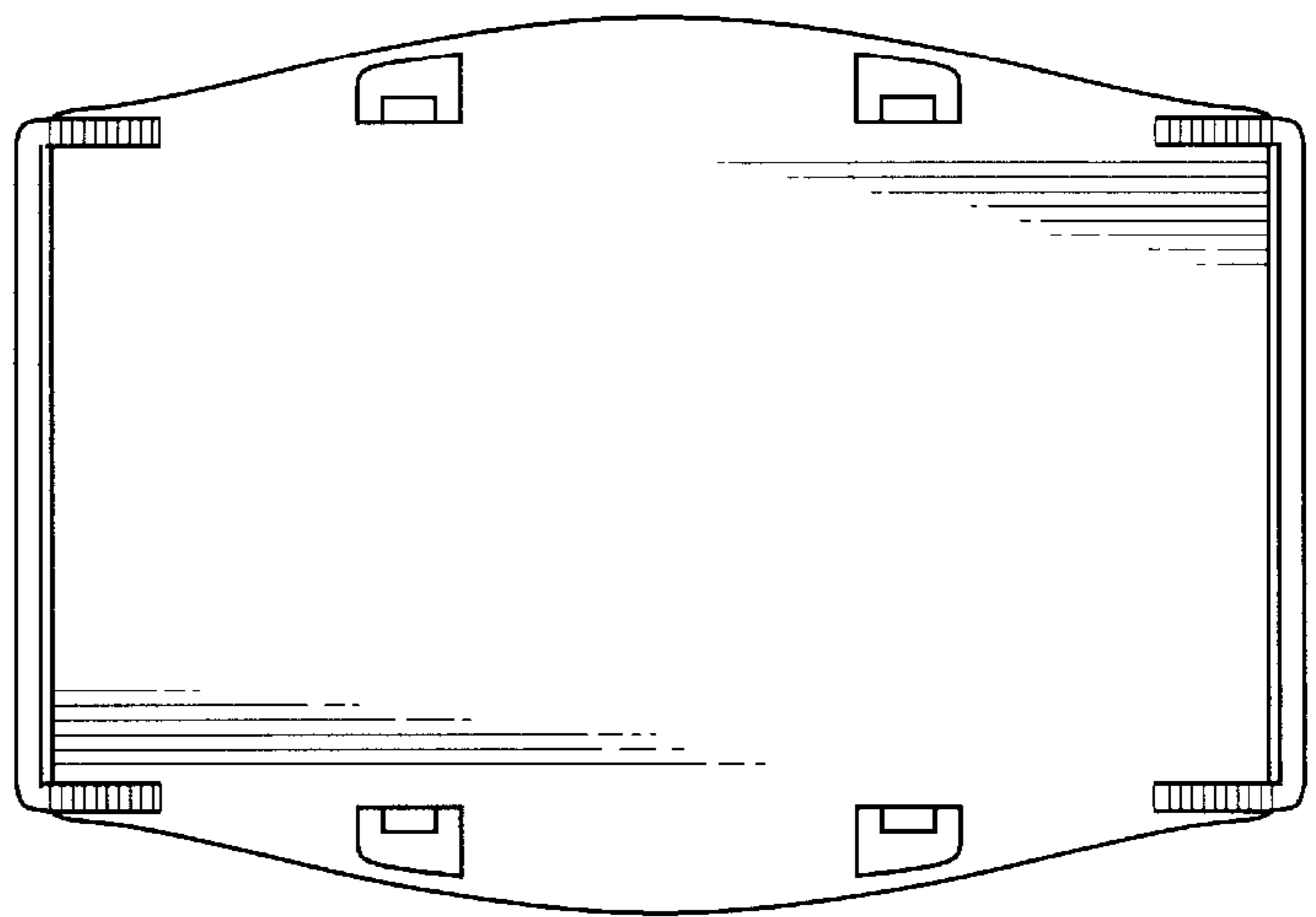


Fig. 5

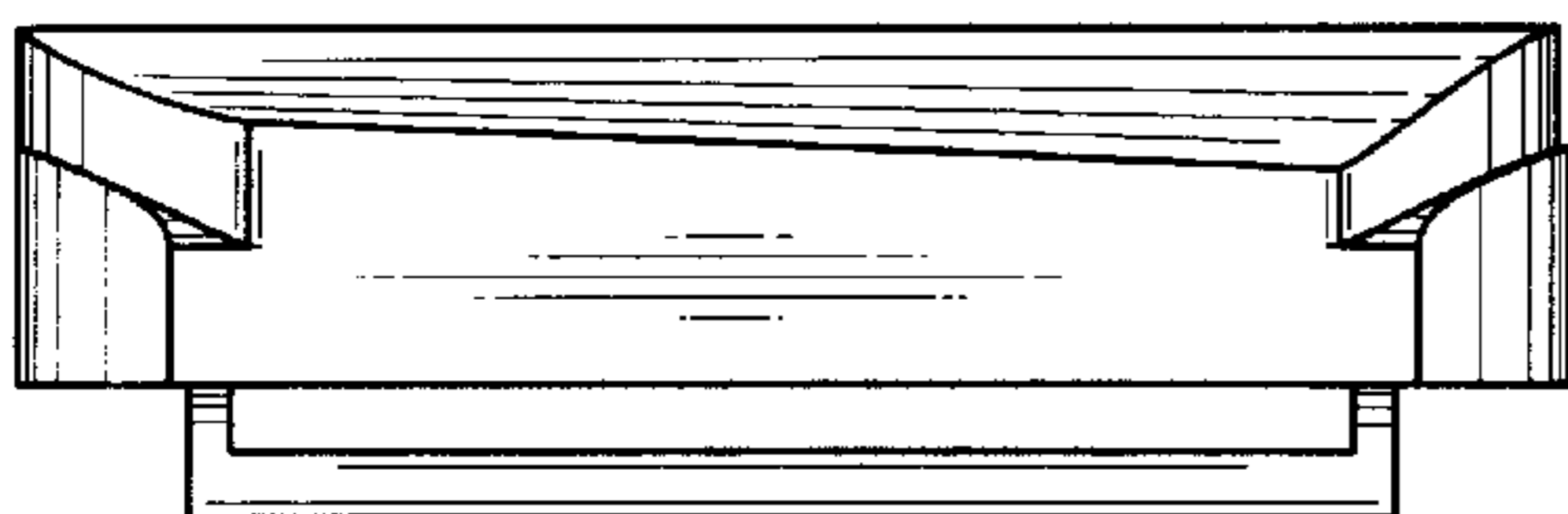


Fig. 6

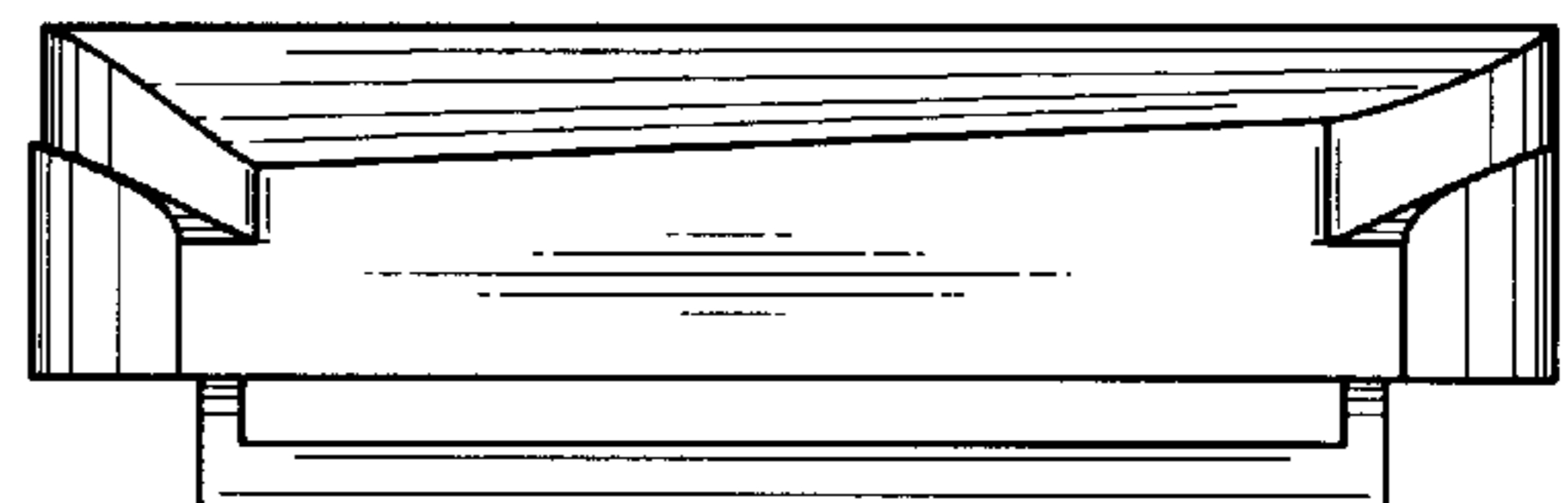


Fig. 7