



US00D398578S

United States Patent [19]

Chambers et al.

[11] **Patent Number: Des. 398,578**

[45] **Date of Patent: **Sep. 22, 1998**

[54] **BATTERY HOUSING FOR A RADIO TELEPHONE**

D. 359,267 6/1995 Berry et al. D13/103
D. 375,933 11/1996 Kao D13/103
D. 679,645 5/1997 Richards et al. D13/103

[75] Inventors: **Randall P. Chambers**, Lawrenceville;
Kevin D. Page, Dacula, both of Ga.

Primary Examiner—Joel Sincavage
Attorney, Agent, or Firm—Felipe J. Farley

[73] Assignee: **Motorola, Inc.**, Schaumburg, Ill.

[57] **CLAIM**

[**] Term: **14 Years**

The ornamental design for a battery housing for a radio telephone, as shown and described.

[21] Appl. No.: **63,275**

DESCRIPTION

[22] Filed: **Dec. 3, 1996**

[51] **LOC (6) Cl.** **13-02**

[52] **U.S. Cl.** **D13/103**

[58] **Field of Search** D13/103, 118,
D13/119; 429/96-100, 163, 176

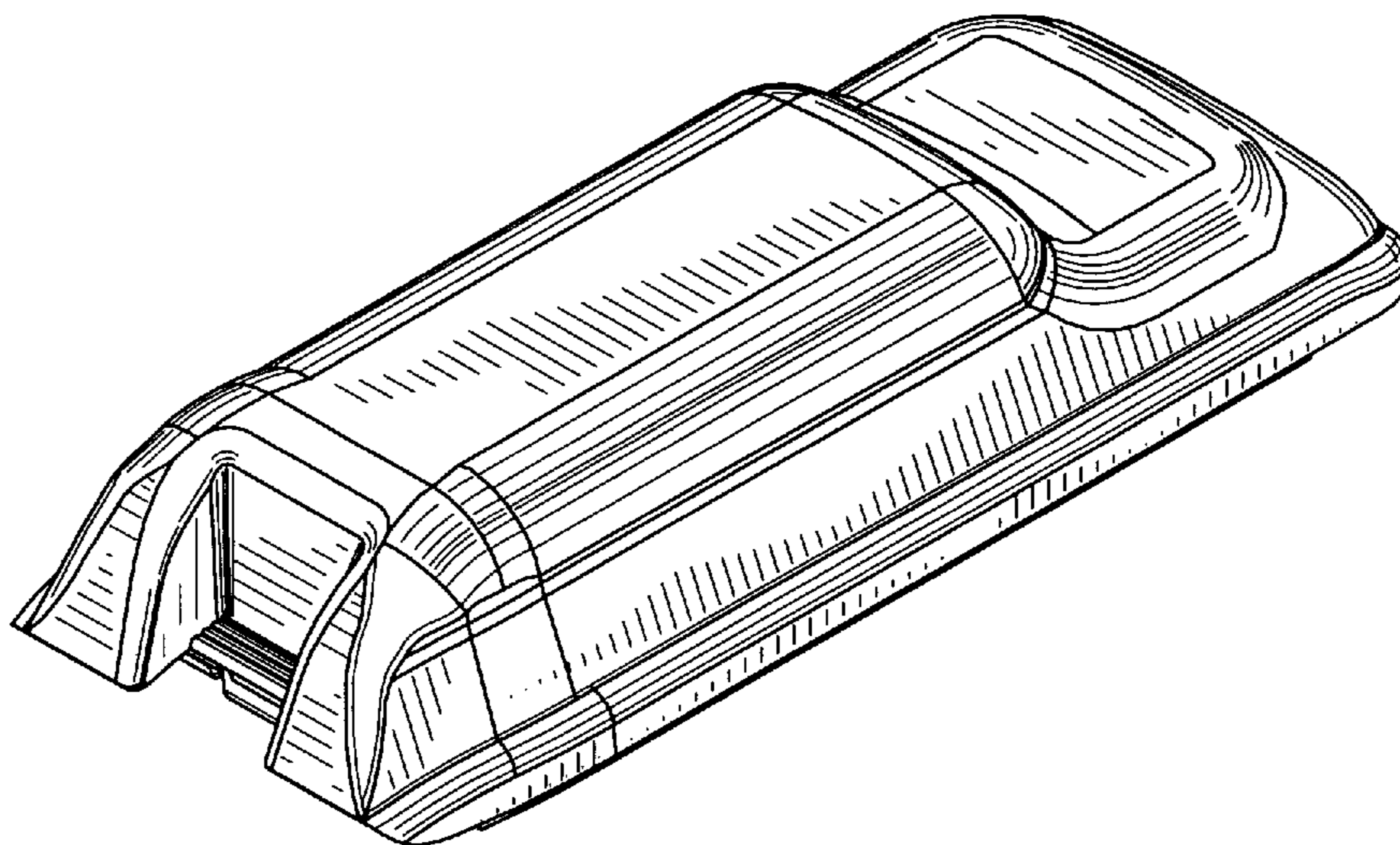
FIG. 1 is a rear elevational view of a battery housing for a radio telephone showing our new design;
FIG. 2 is a front elevational view thereof;
FIG. 3 is a top elevational view thereof;
FIG. 4 is a bottom elevational view thereof;
FIG. 5 is as right side elevational view thereof, the left side being a mirror image; and,
FIG. 6 is a top right rear isometric view thereof.

[56] **References Cited**

U.S. PATENT DOCUMENTS

D. 353,361 12/1994 Nagele et al. D13/103
D. 358,128 5/1995 Berry et al. D13/103

1 Claim, 3 Drawing Sheets



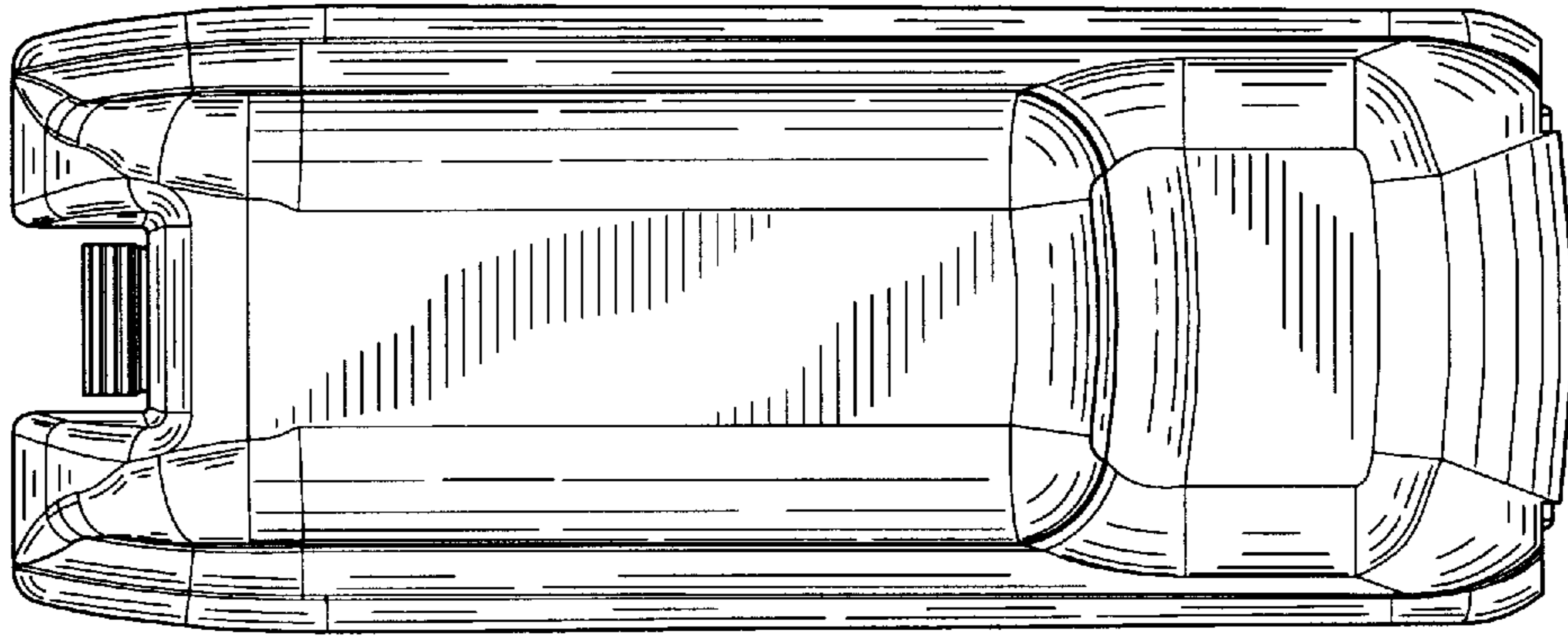


FIG. 1

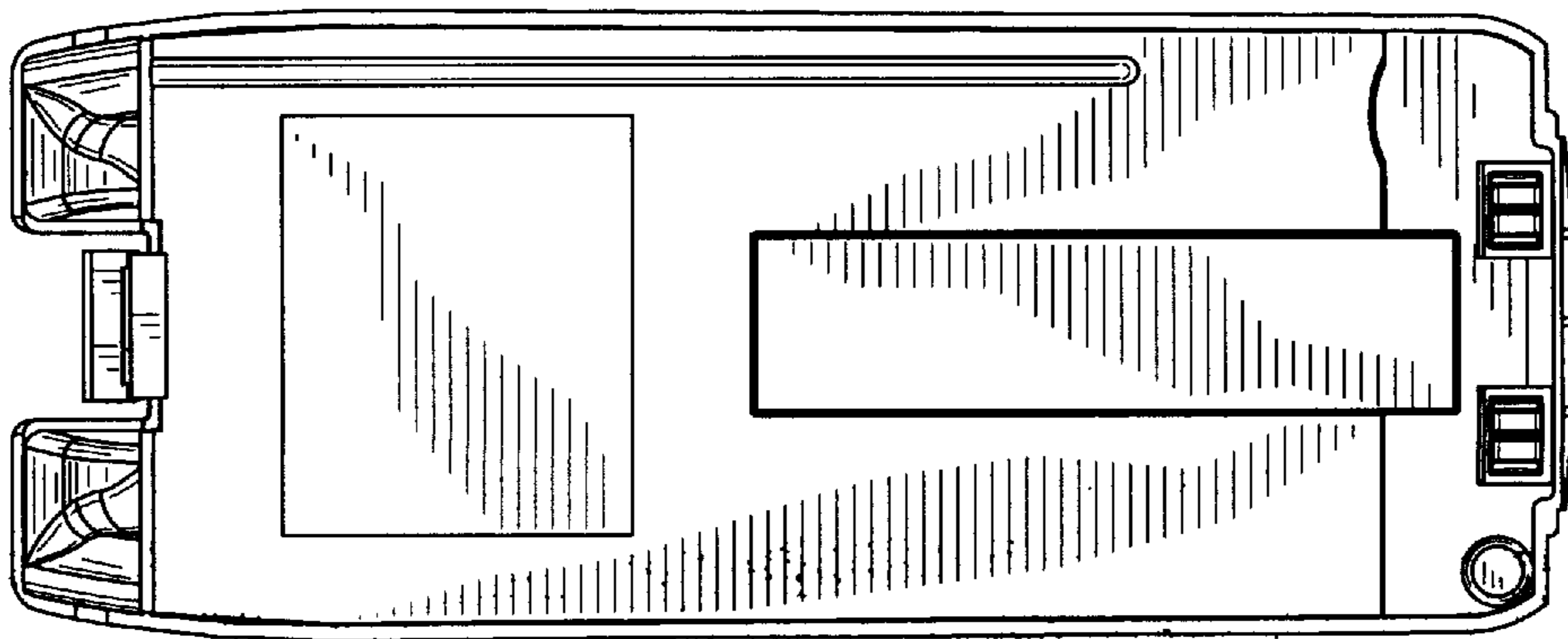


FIG. 2

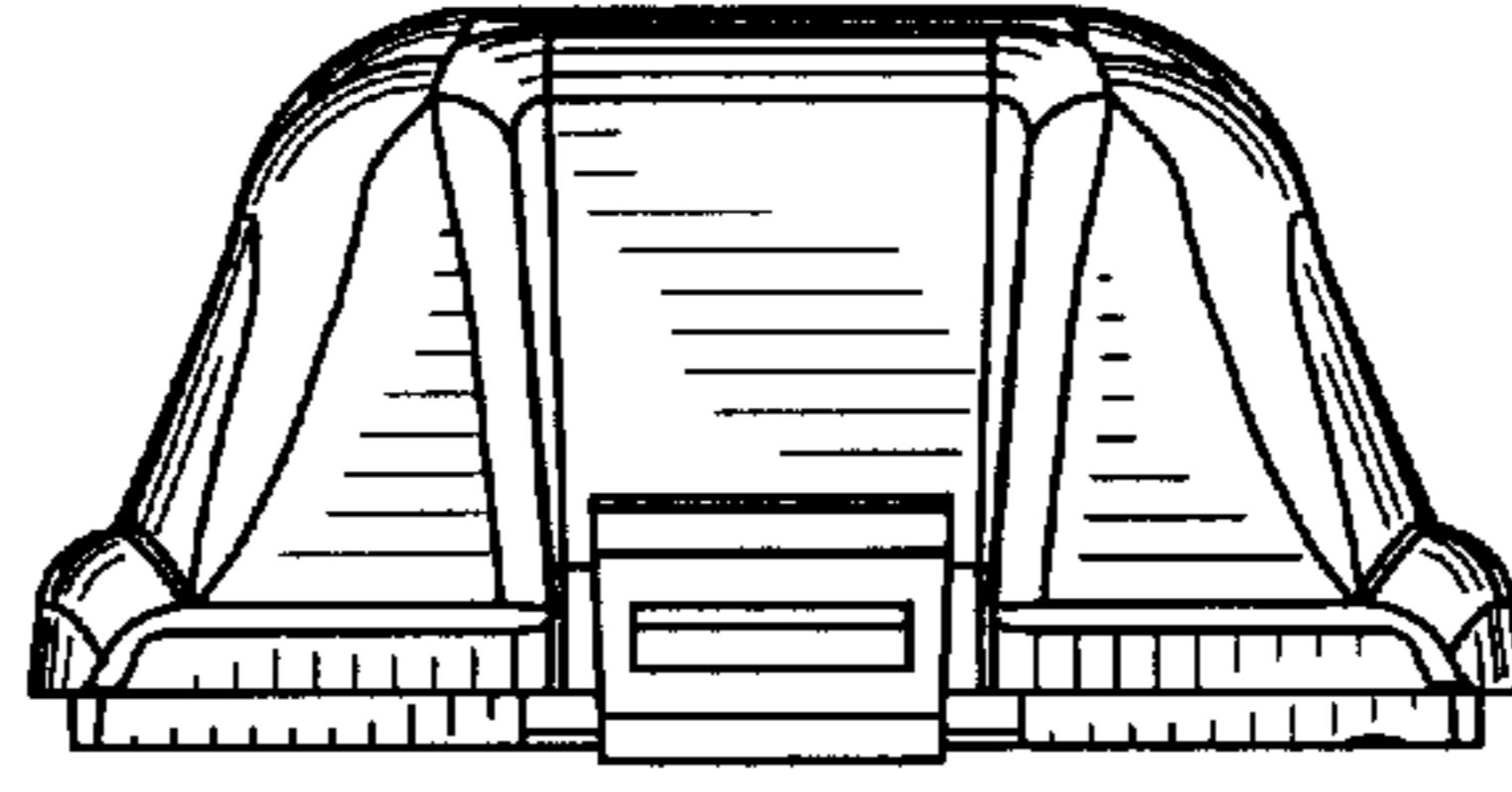


FIG. 3

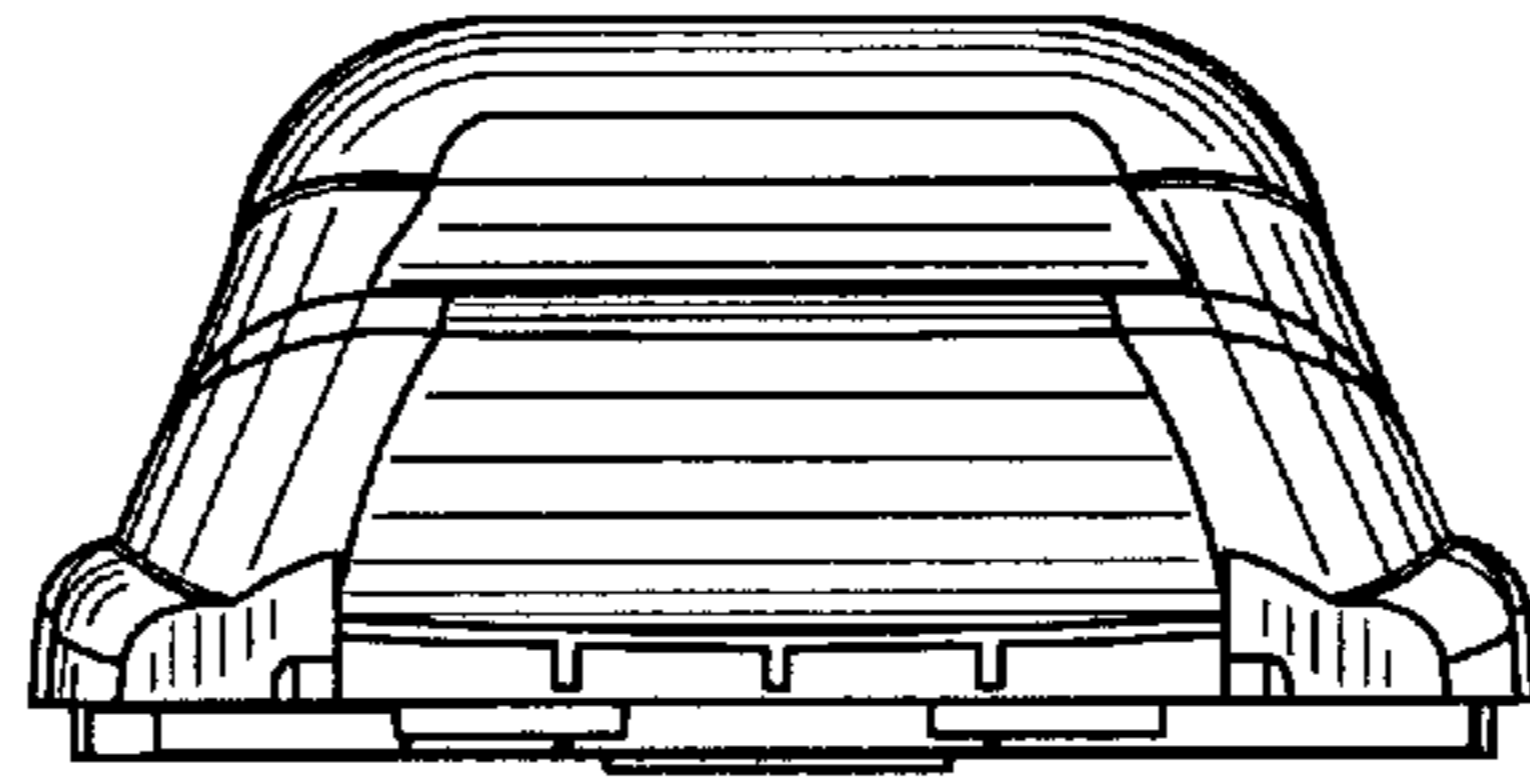


FIG. 4

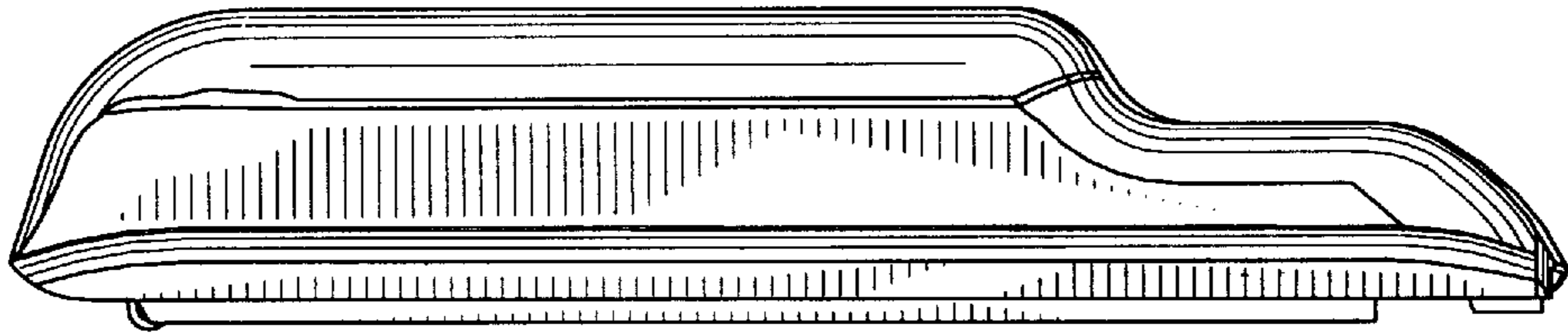


FIG. 5

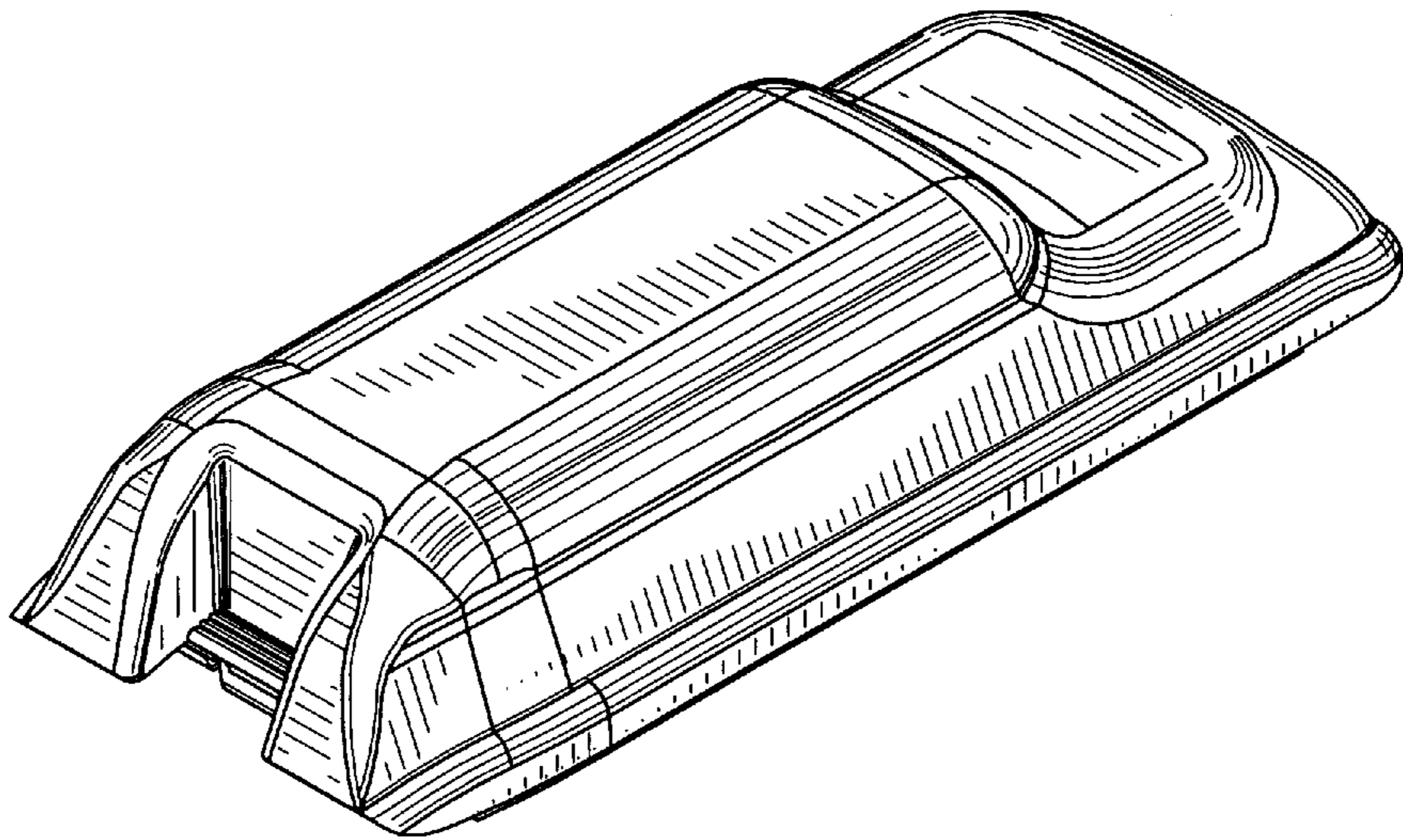


FIG. 6