



US00D398573S

**United States Patent** [19]  
**Cattaneo**

[11] **Patent Number: Des. 398,573**

[45] **Date of Patent: \*\*Sep. 22, 1998**

[54] **WHEEL FOR MOTOR VEHICLE**

[75] Inventor: **Marco Cattaneo**, Pavia, Italy

[73] Assignee: **Breed Automotive Technology, Inc.**,  
Lakeland, Fla.

[\*\*] Term: **14 Years**

[21] Appl. No.: **78,746**

[22] Filed: **Oct. 30, 1997**

[30] **Foreign Application Priority Data**

Jul. 28, 1997 [IT] Italy ..... MI9700452

[51] **LOC (6) Cl.** ..... **12-16**

[52] **U.S. Cl.** ..... **D12/211**

[58] **Field of Search** ..... D12/204-213;  
301/64.1, 65, 37.1

[56] **References Cited**

**U.S. PATENT DOCUMENTS**

D. 249,787	10/1978	Tanaka	.....	D12/205
D. 258,503	3/1981	Semple	.....	D12/211
D. 361,547	8/1995	Weld	.....	D12/211

D. 368,885	4/1996	Wagner	.....	D12/209
D. 372,699	8/1996	Mantua	.....	D12/209
D. 379,612	6/1997	Honarkhah	.....	D12/209
D. 380,432	7/1997	Hettler	.....	D12/209
D. 381,617	7/1997	Echazabal et al.	.....	D12/209
D. 384,025	9/1997	Roesianto	.....	D12/209
D. 384,320	9/1997	Bhambra	.....	D12/209
D. 391,215	2/1998	Cervati	.....	D12/209
D. 391,543	3/1998	Renkert	.....	D12/209

*Primary Examiner*—Jeffrey Asch  
*Assistant Examiner*—Stacia Sinuik  
*Attorney, Agent, or Firm*—Lonnie R. Drayer

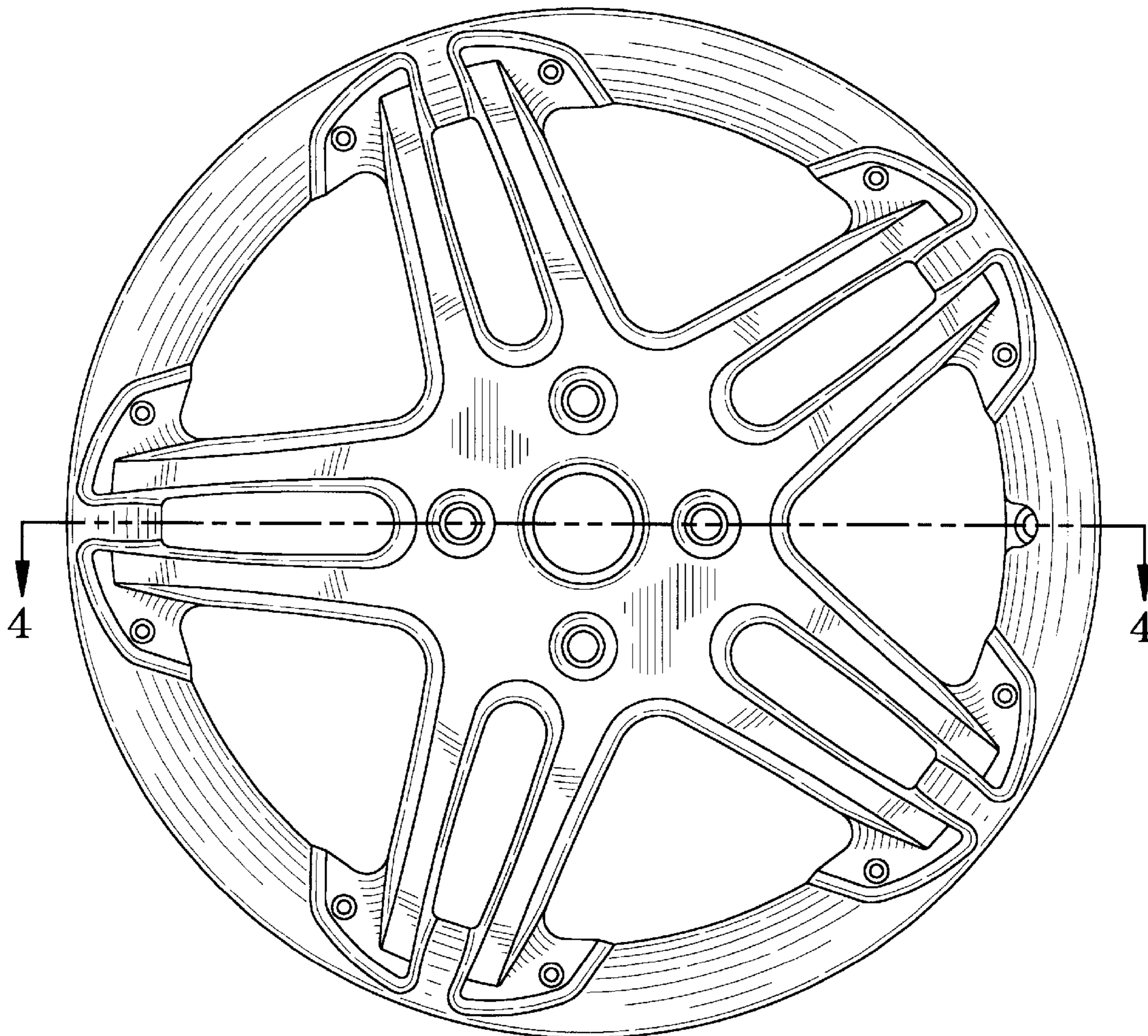
[57] **CLAIM**

The ornamental design for wheel for motor vehicle, as shown and described.

**DESCRIPTION**

FIG. 1 is a front view of a wheel for motor vehicle, showing my new design;  
FIG. 2 is a top plan view thereof;  
FIG. 3 is a rear view thereof; and,  
FIG. 4 is a cross sectional view taken along line 4—4 in FIG. 1.

**1 Claim, 2 Drawing Sheets**



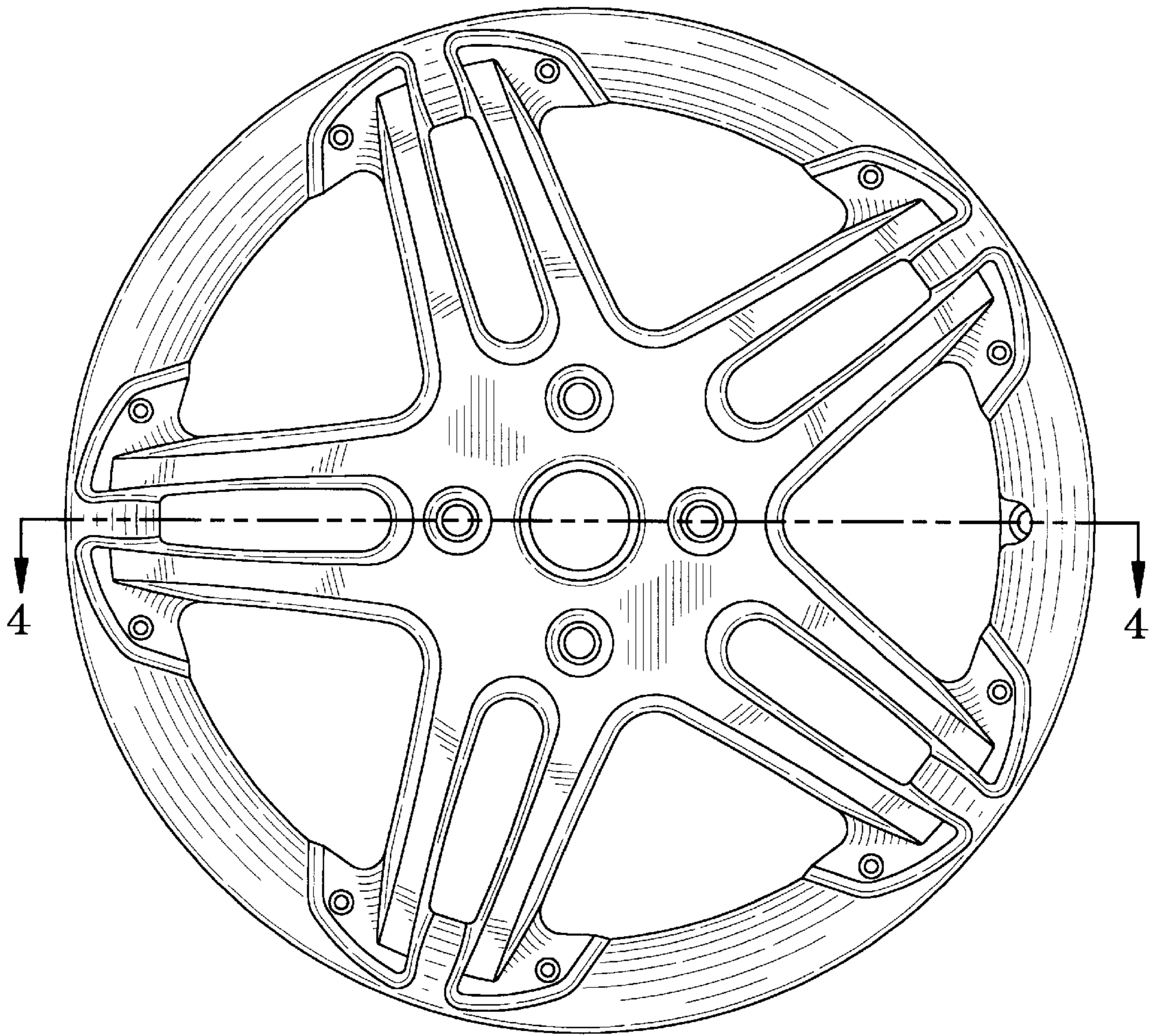


FIG-1

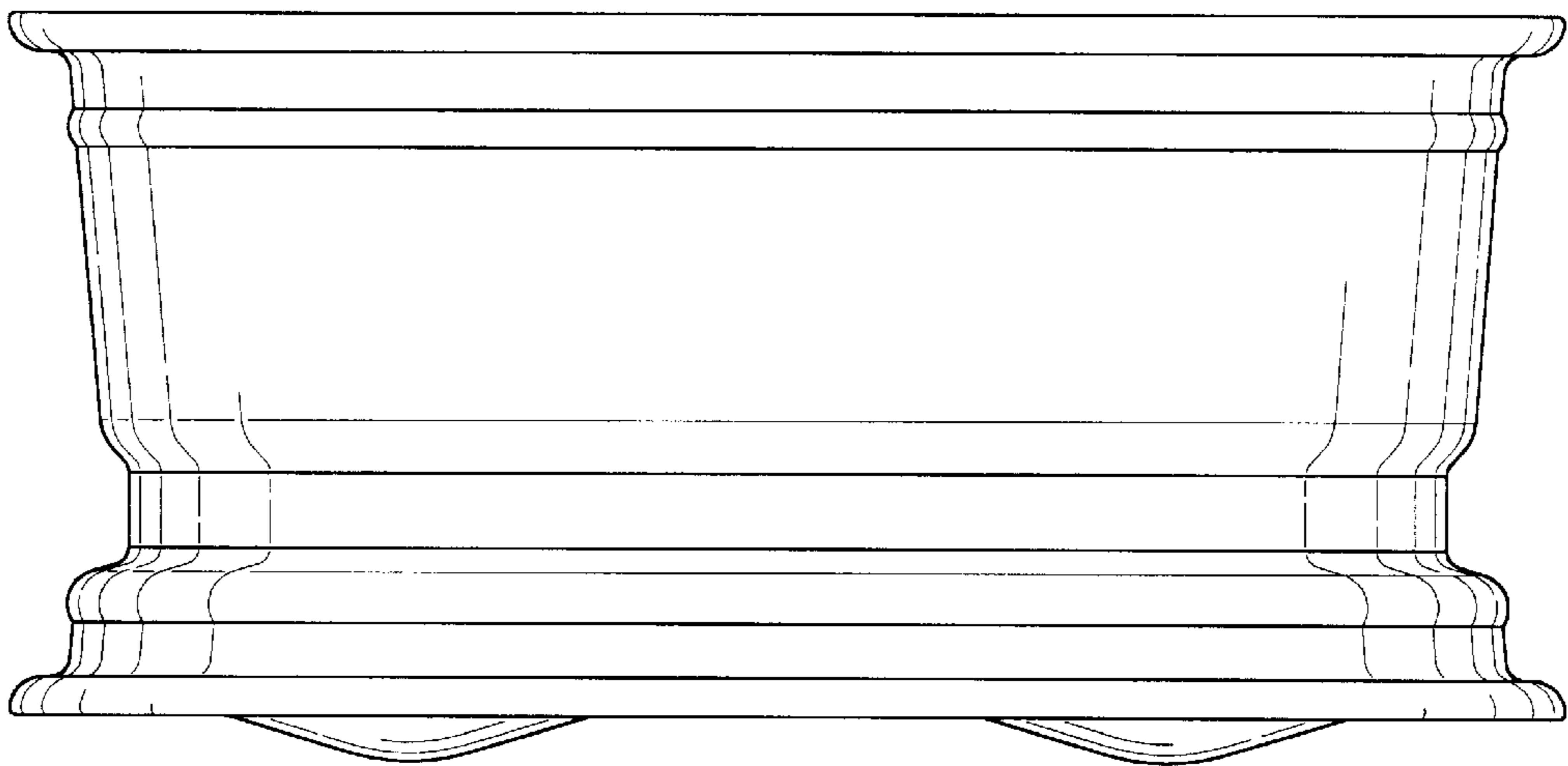


FIG-2

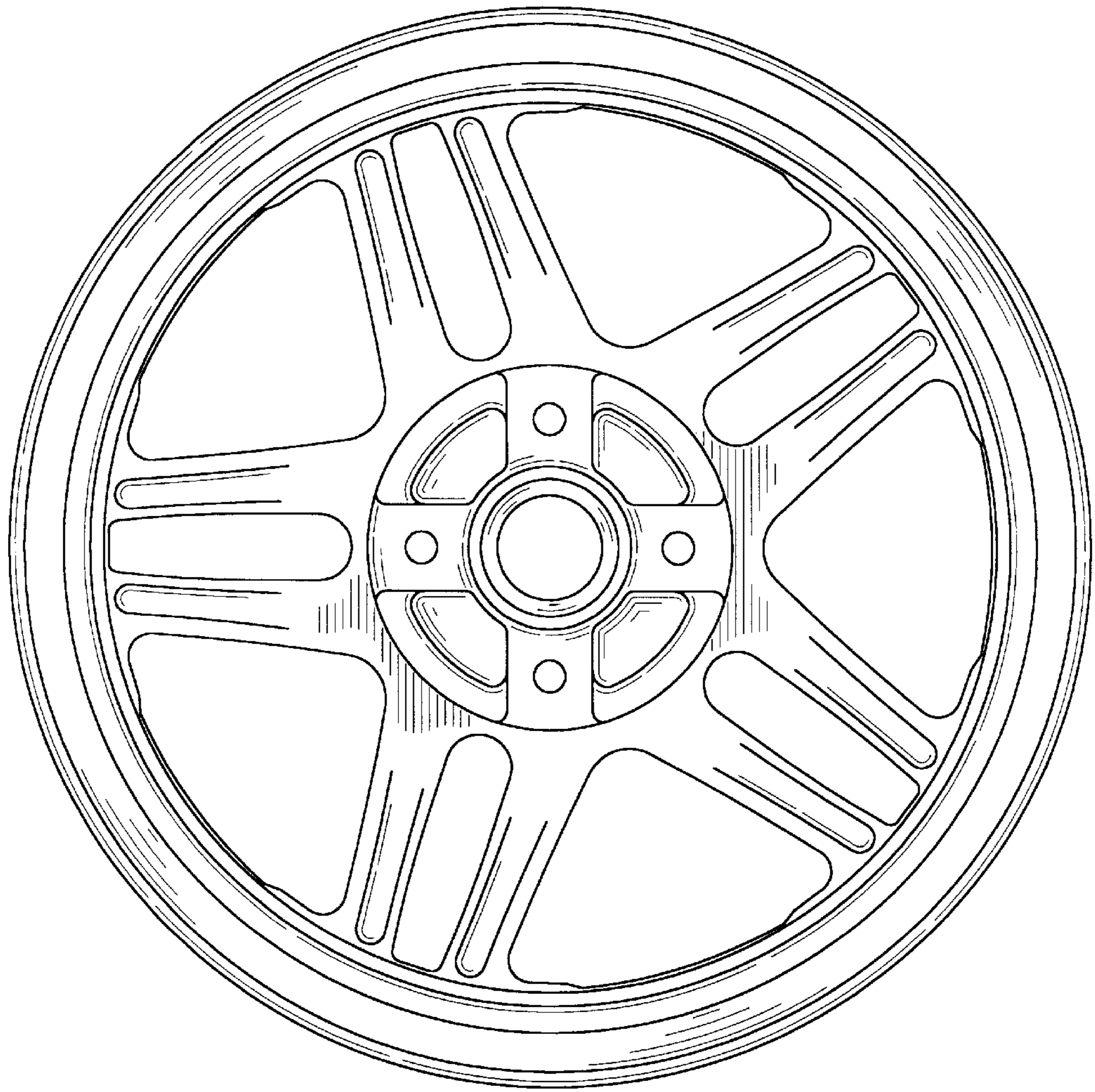


FIG-3

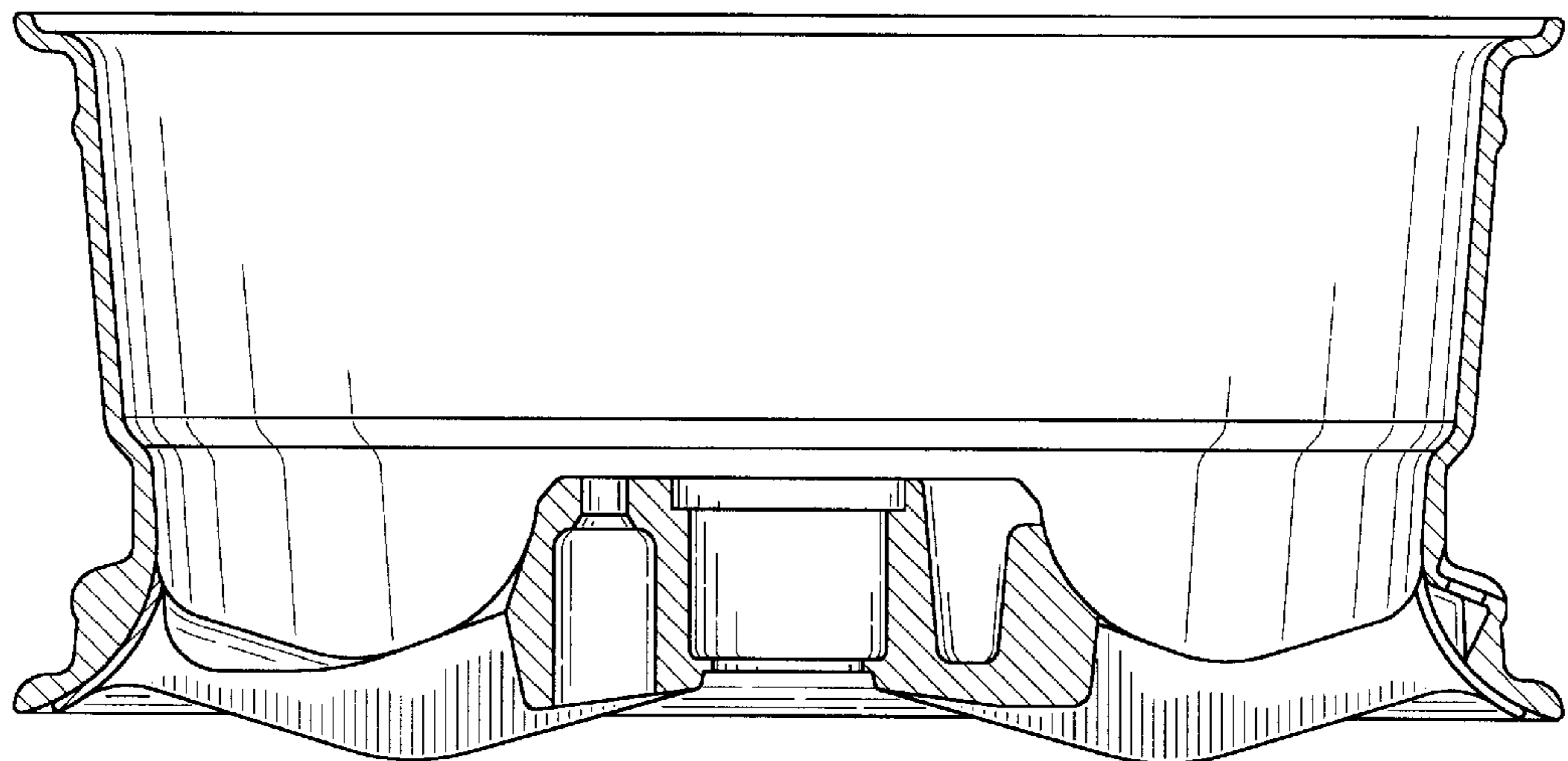


FIG-4