



US00D398565S

United States Patent [19]

[11] Patent Number: Des. 398,565

Knabusch et al.

[45] Date of Patent: **Sep. 22, 1998

[54] CHAIR

[75] Inventors: Charles T. Knabusch, Monroe; Larry P. LaPointe, Temperance; William D. Lipford, Monroe, all of Mich.

[73] Assignee: La-Z-Boy Incorporated, Monroe, Mich.

[**] Term: 14 Years

[21] Appl. No.: 68,812

[22] Filed: Mar. 27, 1997

[51] LOC (6) Cl. 12-12

[52] U.S. Cl. D12/131

[58] Field of Search D12/128, 130, D12/131, 133; 280/250.1, 304.1, 30; 297/DIG. 4; 180/65.1, 907, 908, 6.5, 208; D6/367, 360

[56] References Cited

U.S. PATENT DOCUMENTS

D. 315,123	3/1991	Spiegel et al.	D12/131
D. 364,971	12/1995	Sterlacci	D12/128
3,896,891	7/1975	Milkenburg et al.	180/6.5
4,125,269	11/1978	Kiel .	
4,339,013	7/1982	Weigt .	
5,040,813	8/1991	Cumbie	280/304.1

FOREIGN PATENT DOCUMENTS

2 136 742 9/1984 United Kingdom .

OTHER PUBLICATIONS

Newschoff, Dialysis Chair™, Patient Seating Publication.
Newschoff, Pristo™ Treatment Chair, Patient Seating Publication.

Primary Examiner—Kay H. Chin
Attorney, Agent, or Firm—Harness, Dickey & Pierce, P.L.C.

[57] CLAIM

The ornamental design for a chair, as shown and described.

DESCRIPTION

FIG. 1 is a front perspective view of a chair embodying our new design;

FIG. 2 is a side elevational view of our new design, the opposite side of which is substantially a mirror image thereof (with or without the handle shown in broken line);

FIG. 3 is a side elevational view of our new design wherein the push handles are shown in an alternate position and the seat back is separated from the body;

FIG. 4 is a front elevational view of our new design;

FIG. 5 is a rear elevational view of the design;

FIG. 6 is a top plan view of the design;

FIG. 7 is a front perspective view of our new design wherein one arm rest is removed;

FIG. 8 is a perspective view of our new design with both arm rests removed from the chair;

FIG. 9 is a side elevational view of our new design in an alternate position, the opposite side of which is substantially a mirror image thereof (with or without the handle shown in broken line);

FIG. 10 is a front perspective view of our new design in an alternate position;

FIG. 11 is a side elevational view of our new design in an alternate position, the opposite side of which is substantially a mirror image thereof (with or without the handle shown in broken line);

FIG. 12 is a side elevational view of our new design in an alternate position with both arm rests removed from the chair;

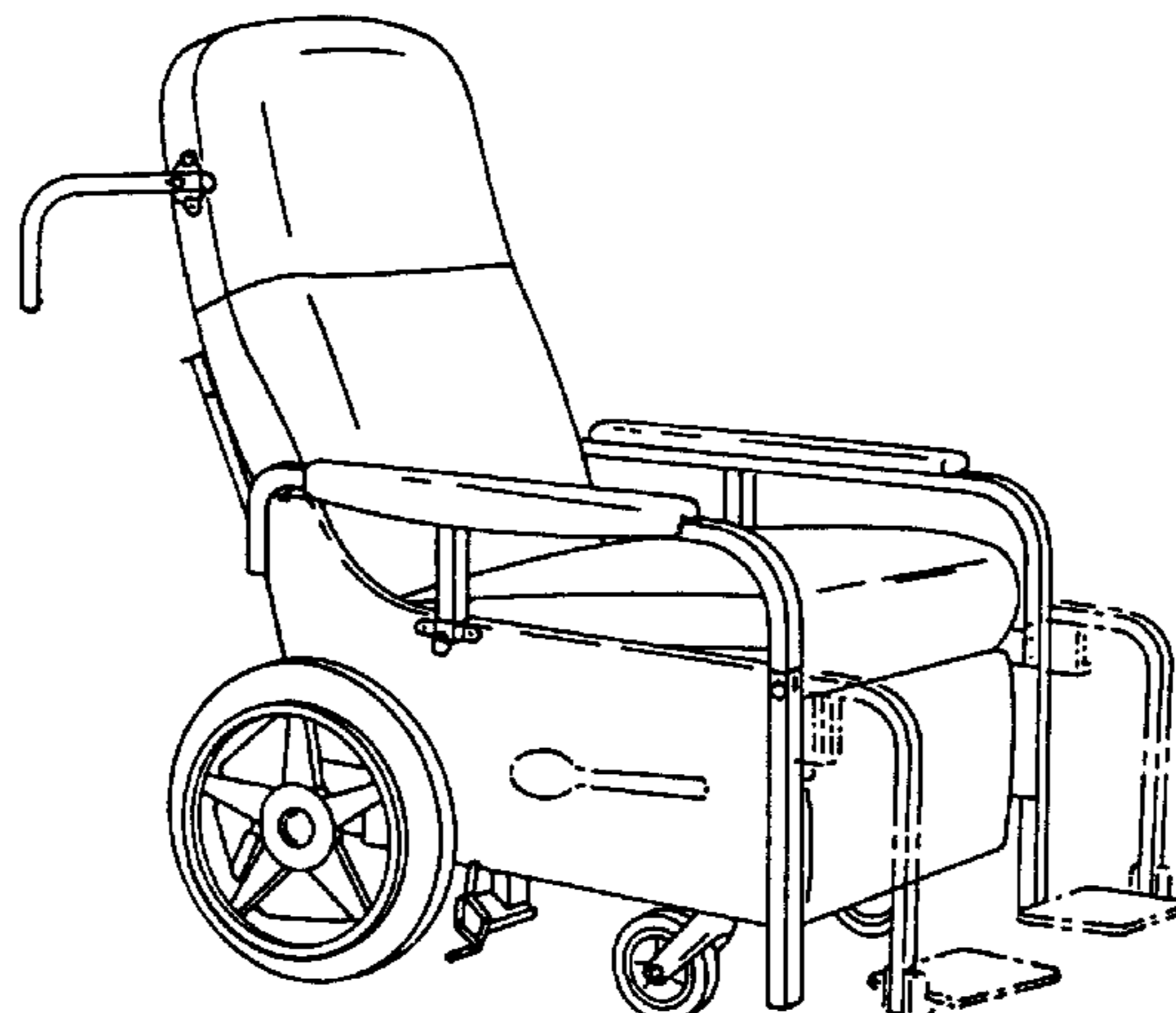
FIG. 13 is a front elevational view of our new design shown in FIG. 11;

FIG. 14 is a rear elevational view of the design shown in FIG. 11; and,

FIG. 15 is a top plan view of the design shown in FIG. 11;

The broken line showings of a handle, foot plates and foot plate mounting brackets are for environmental purposes only and form no part of the claimed design.

1 Claim, 4 Drawing Sheets



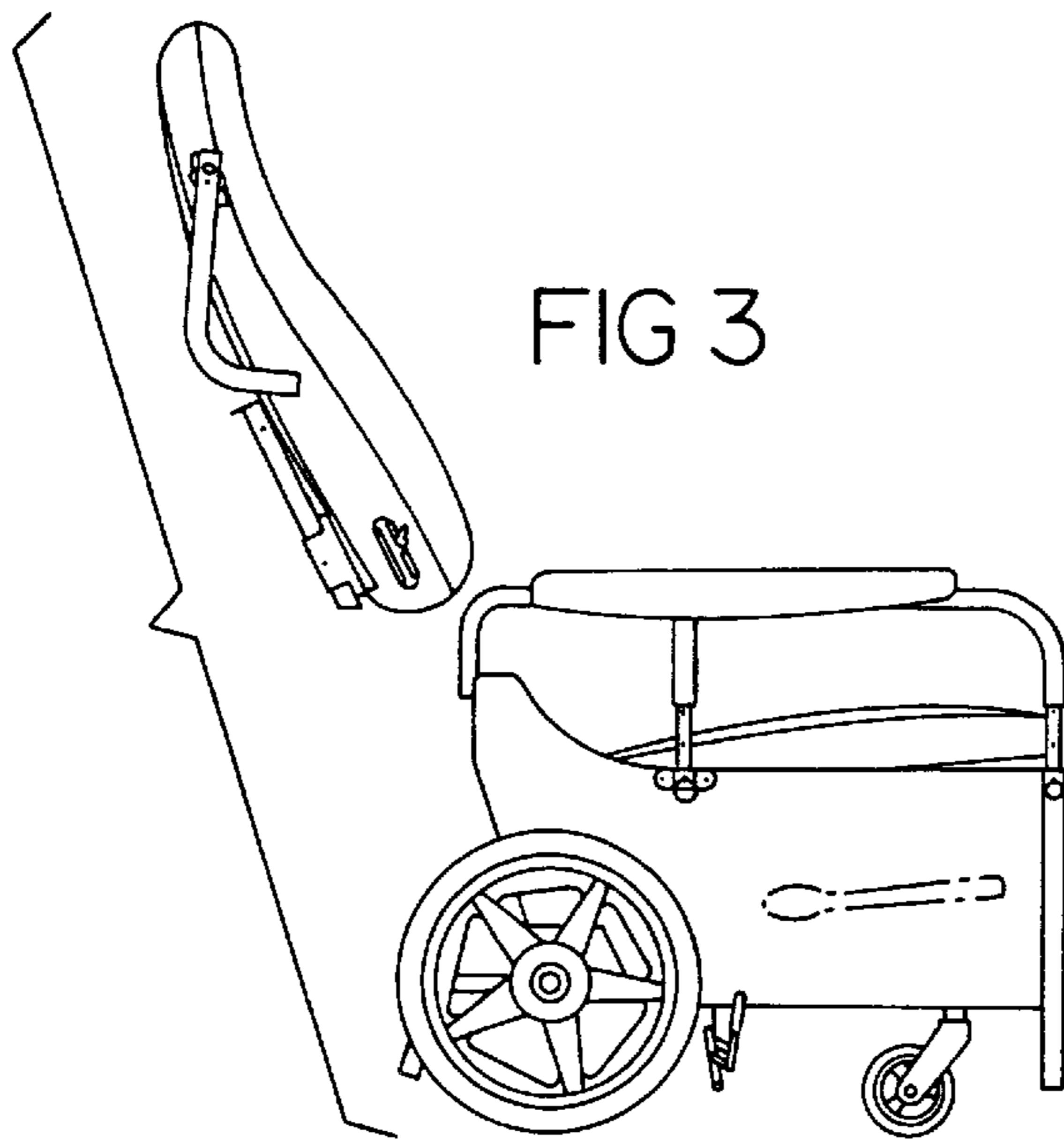
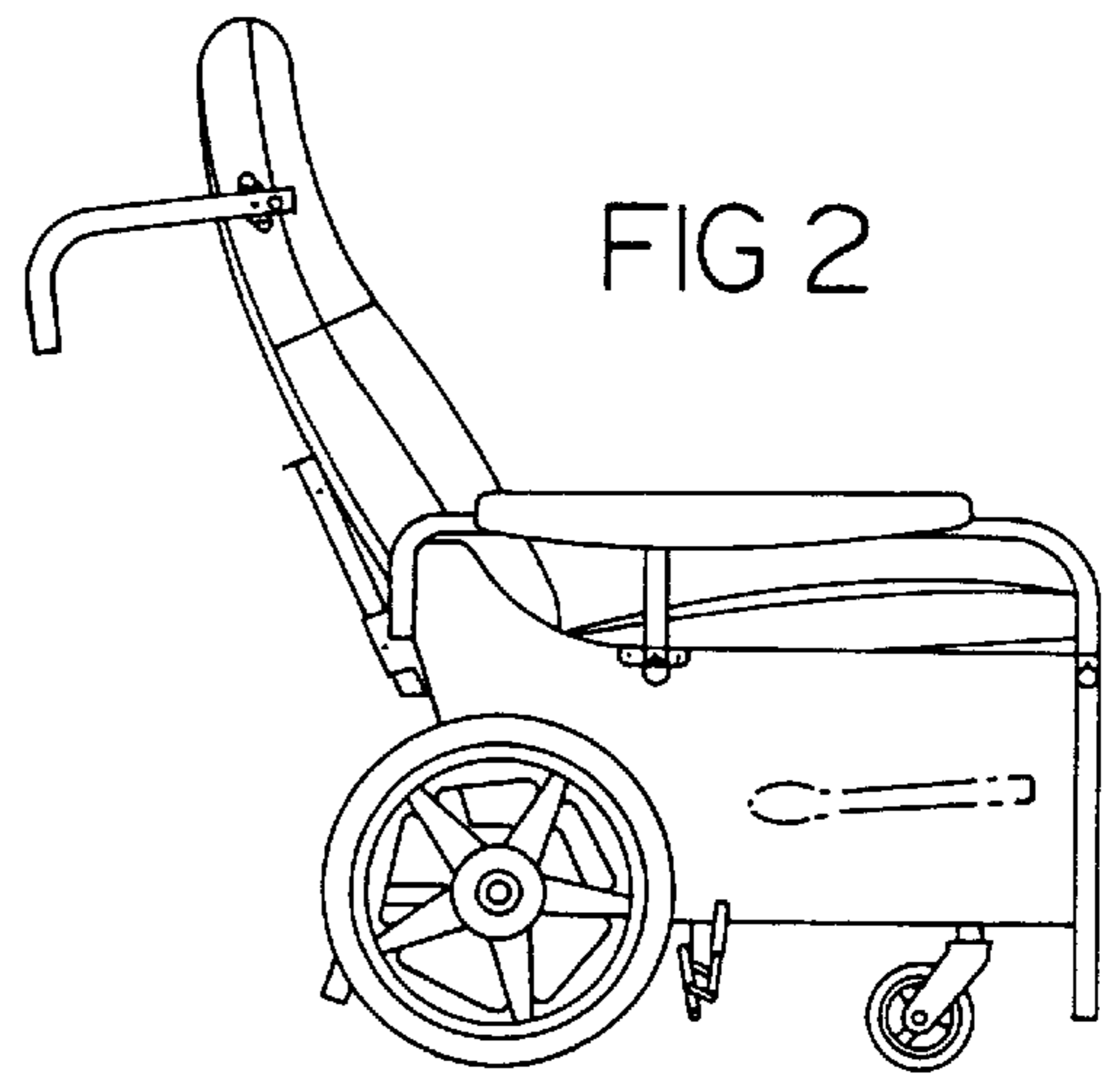
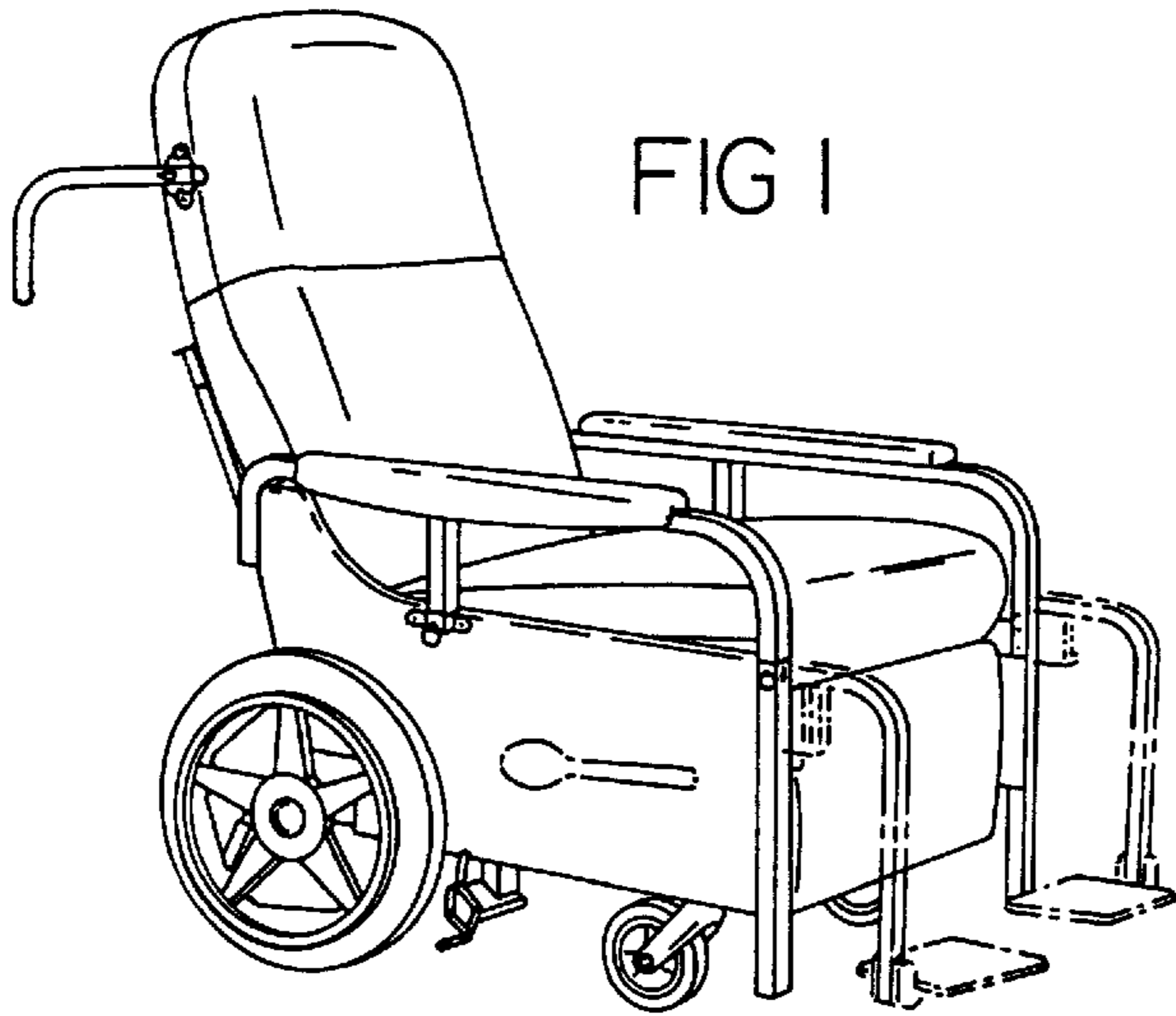


FIG 4

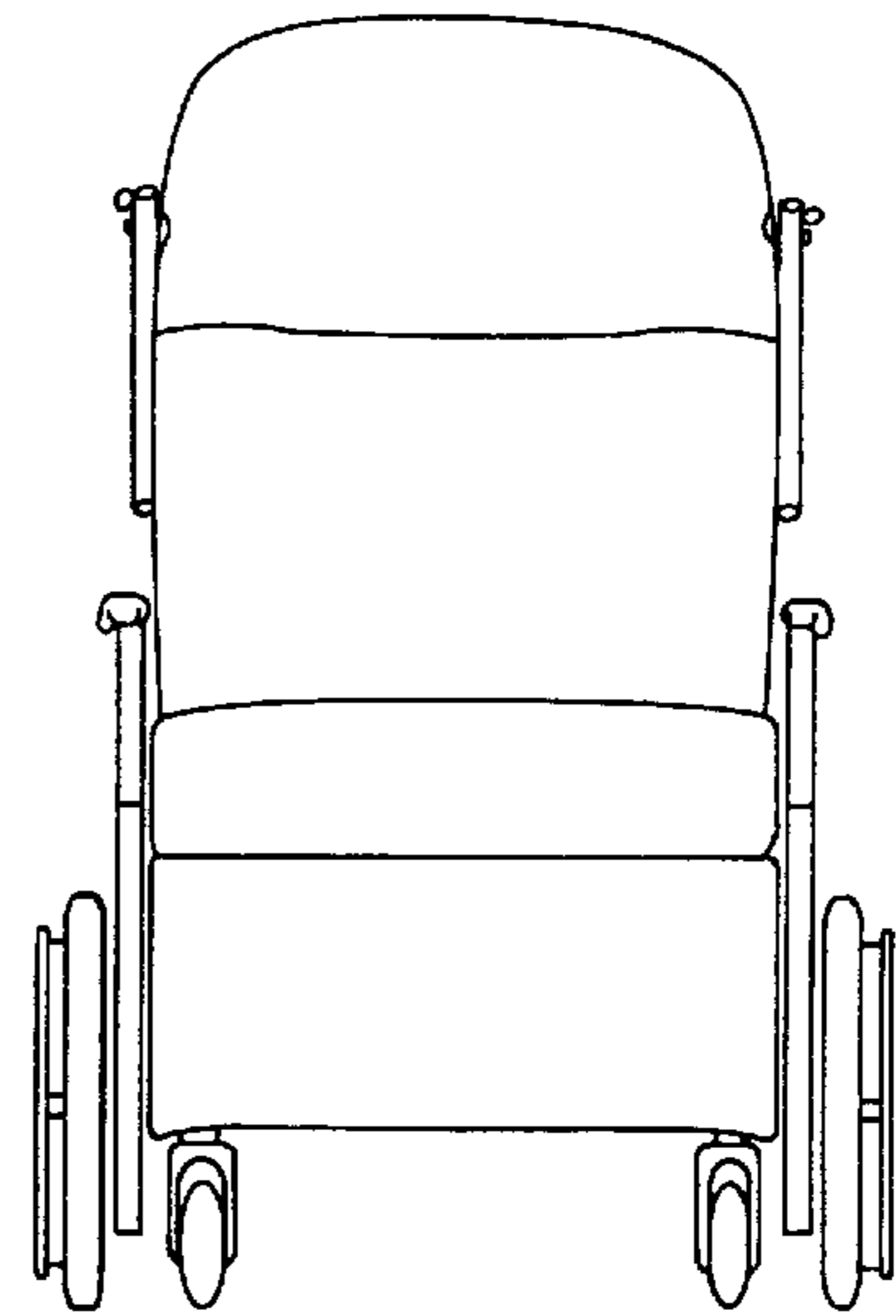


FIG 5

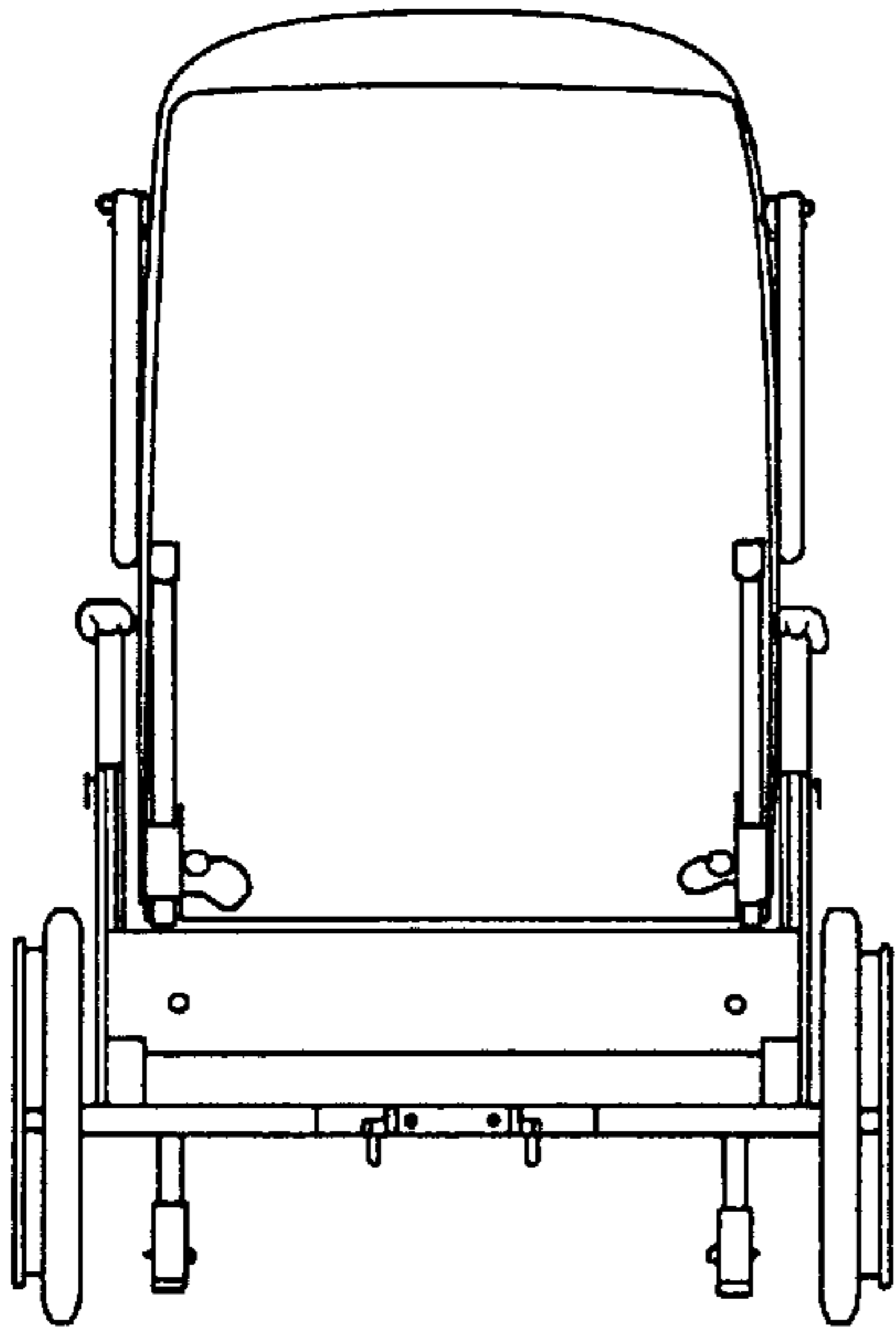


FIG 6

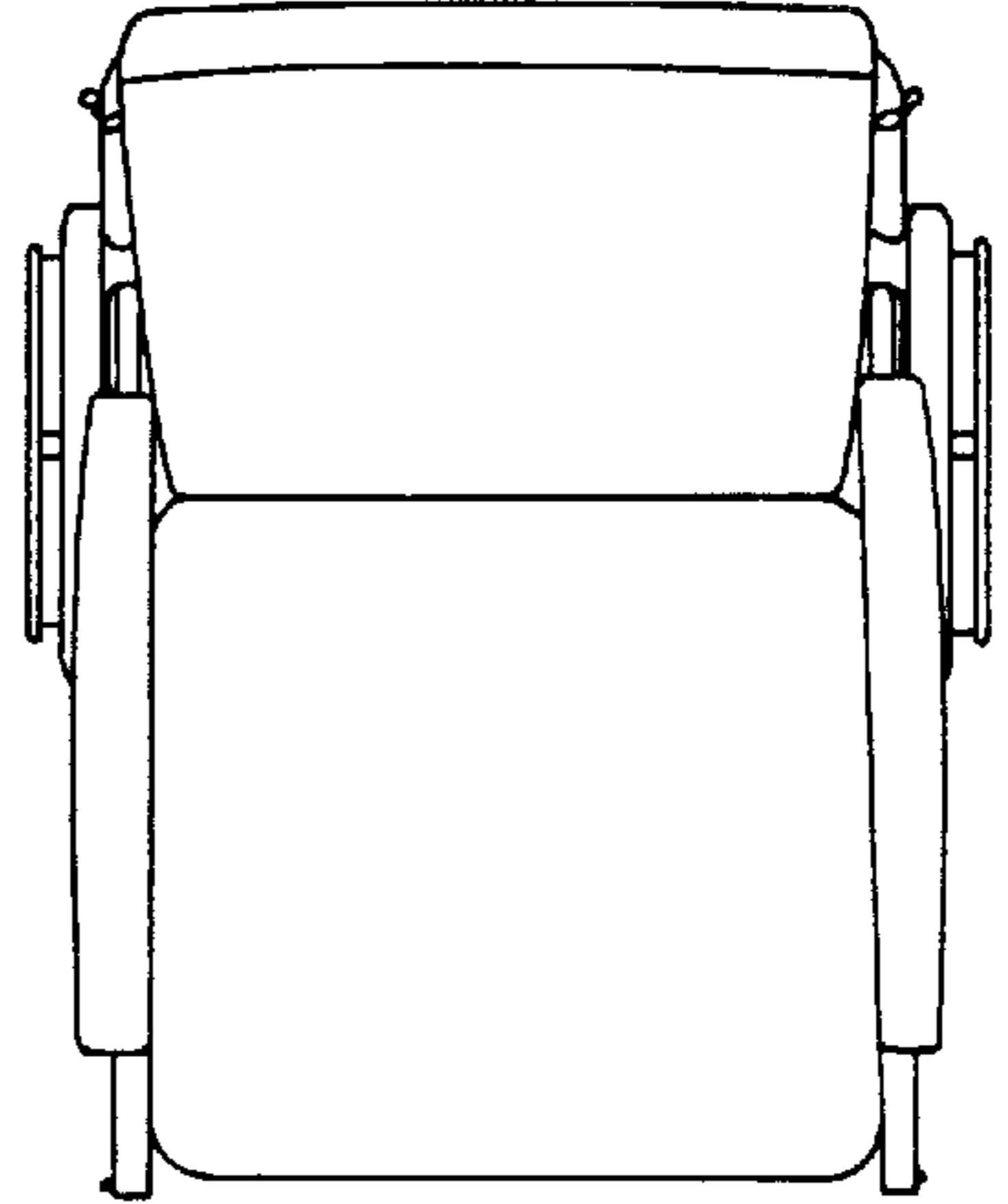


FIG 7

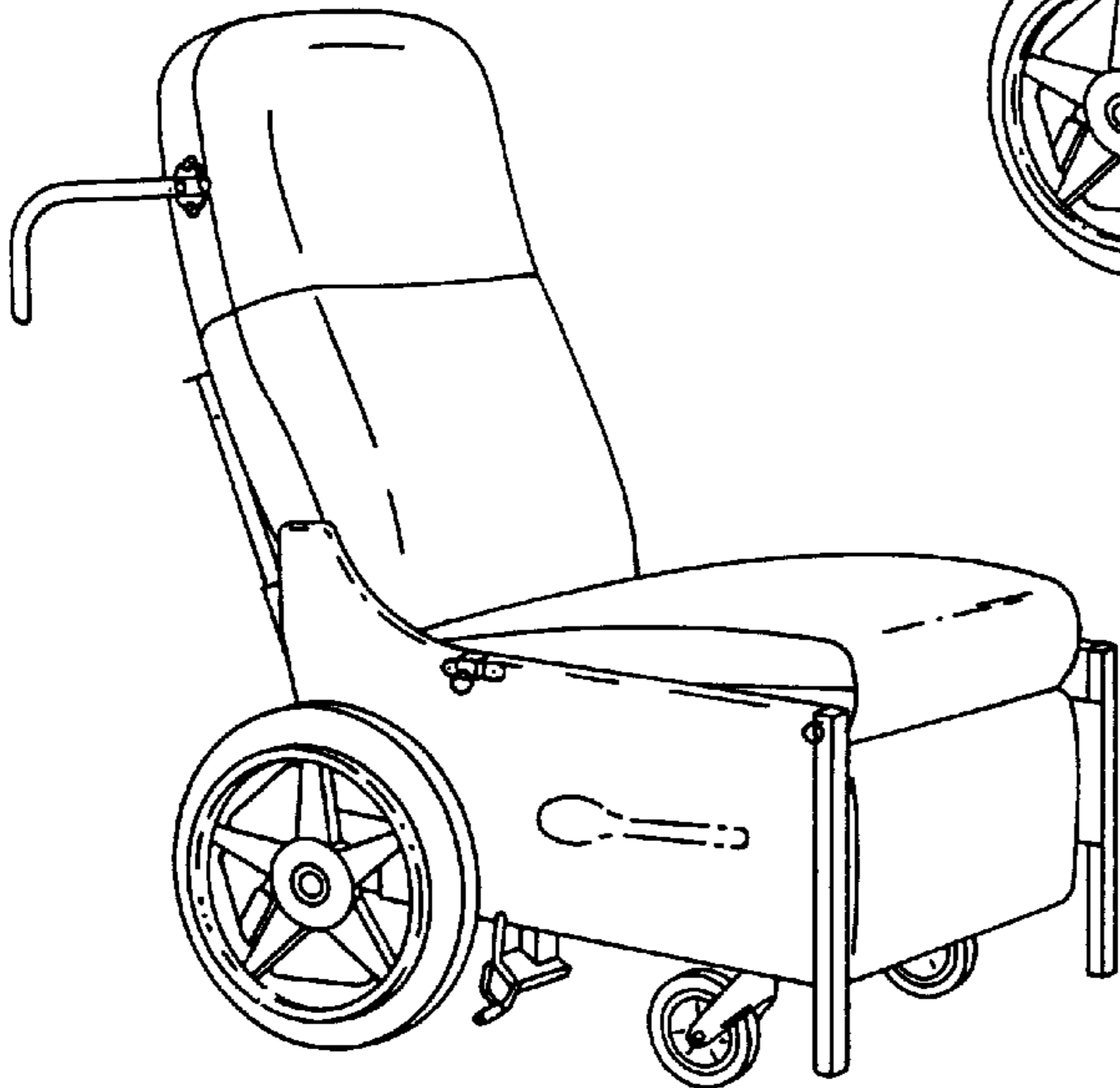
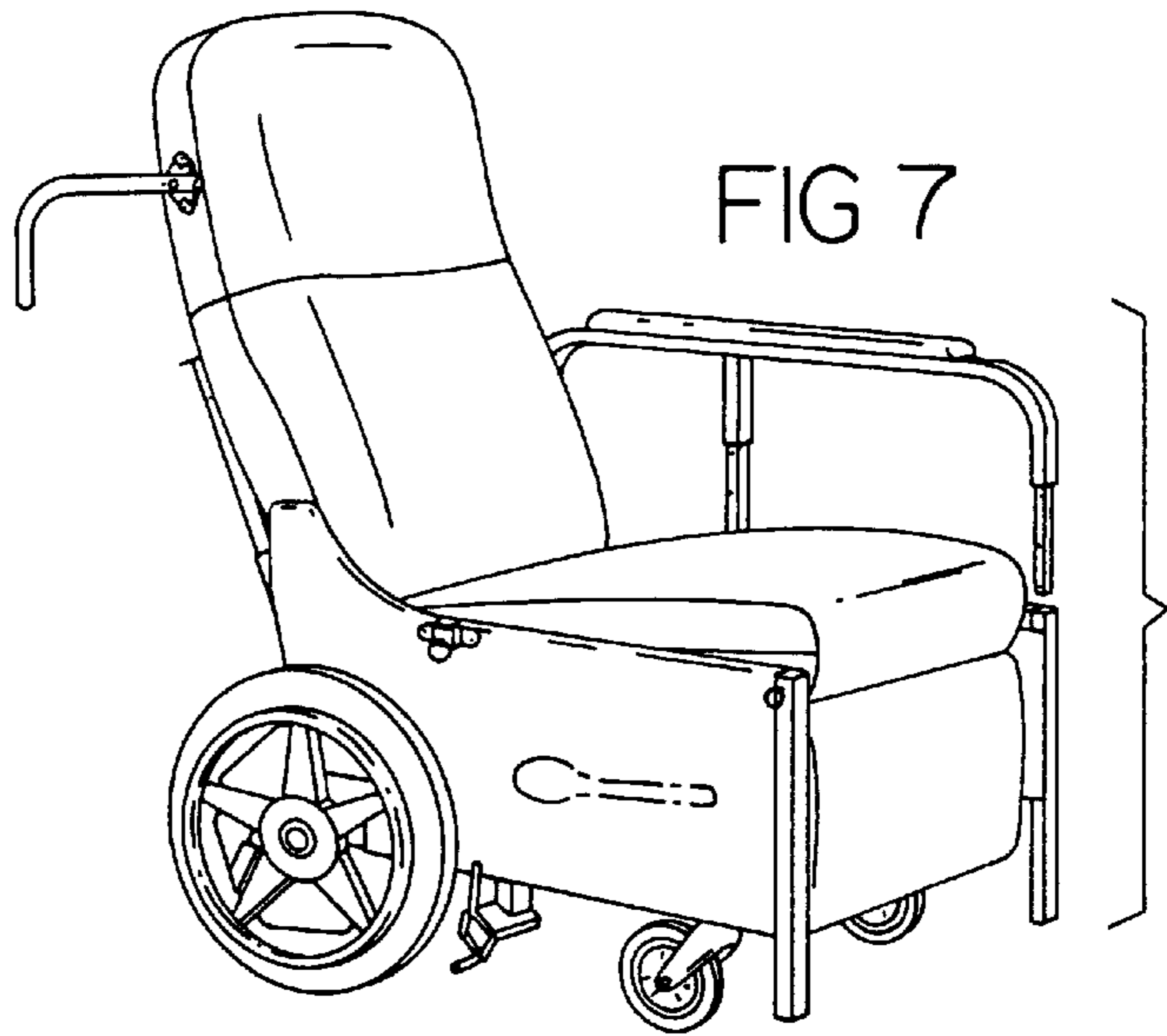


FIG 8

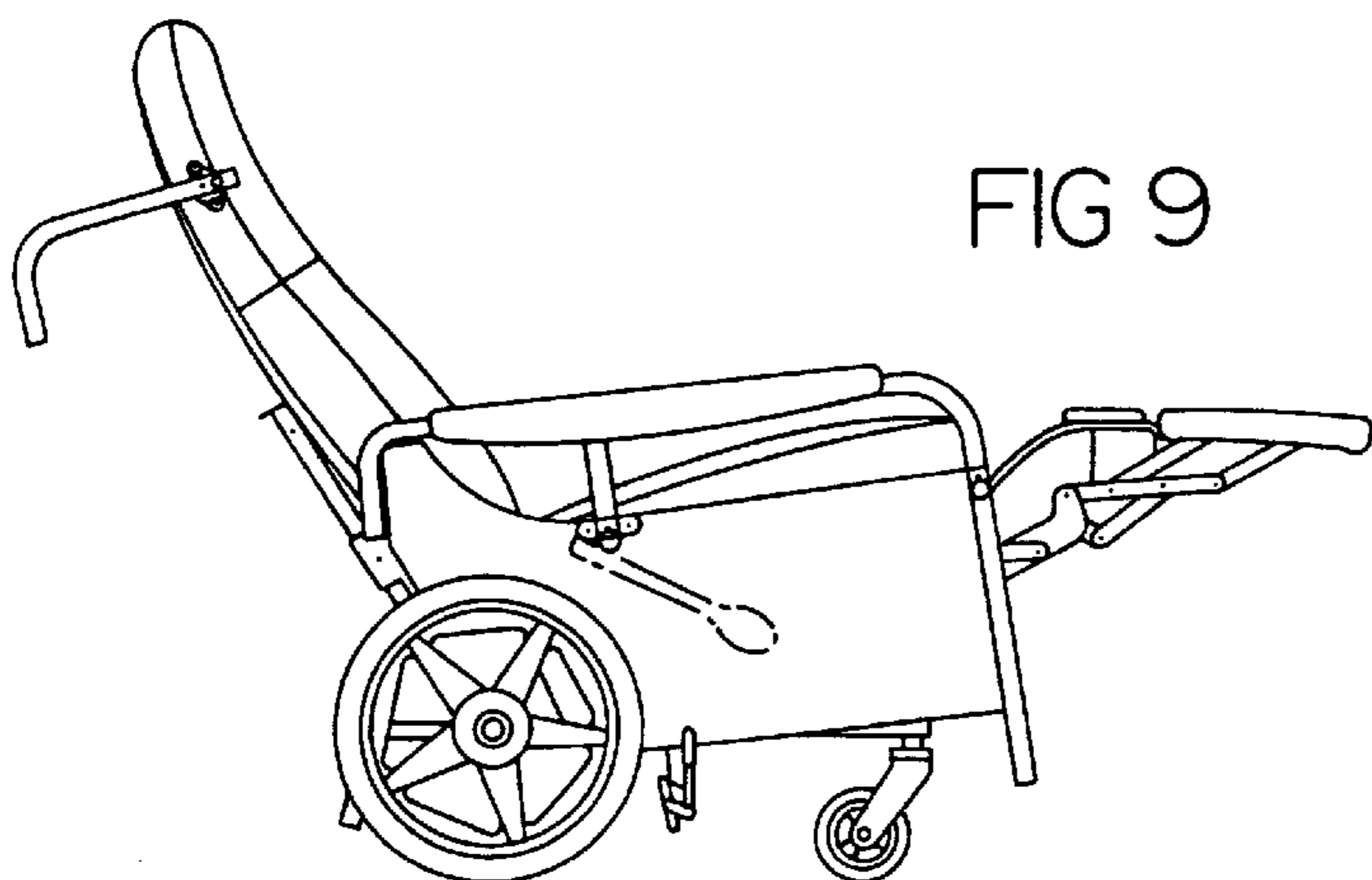


FIG 9

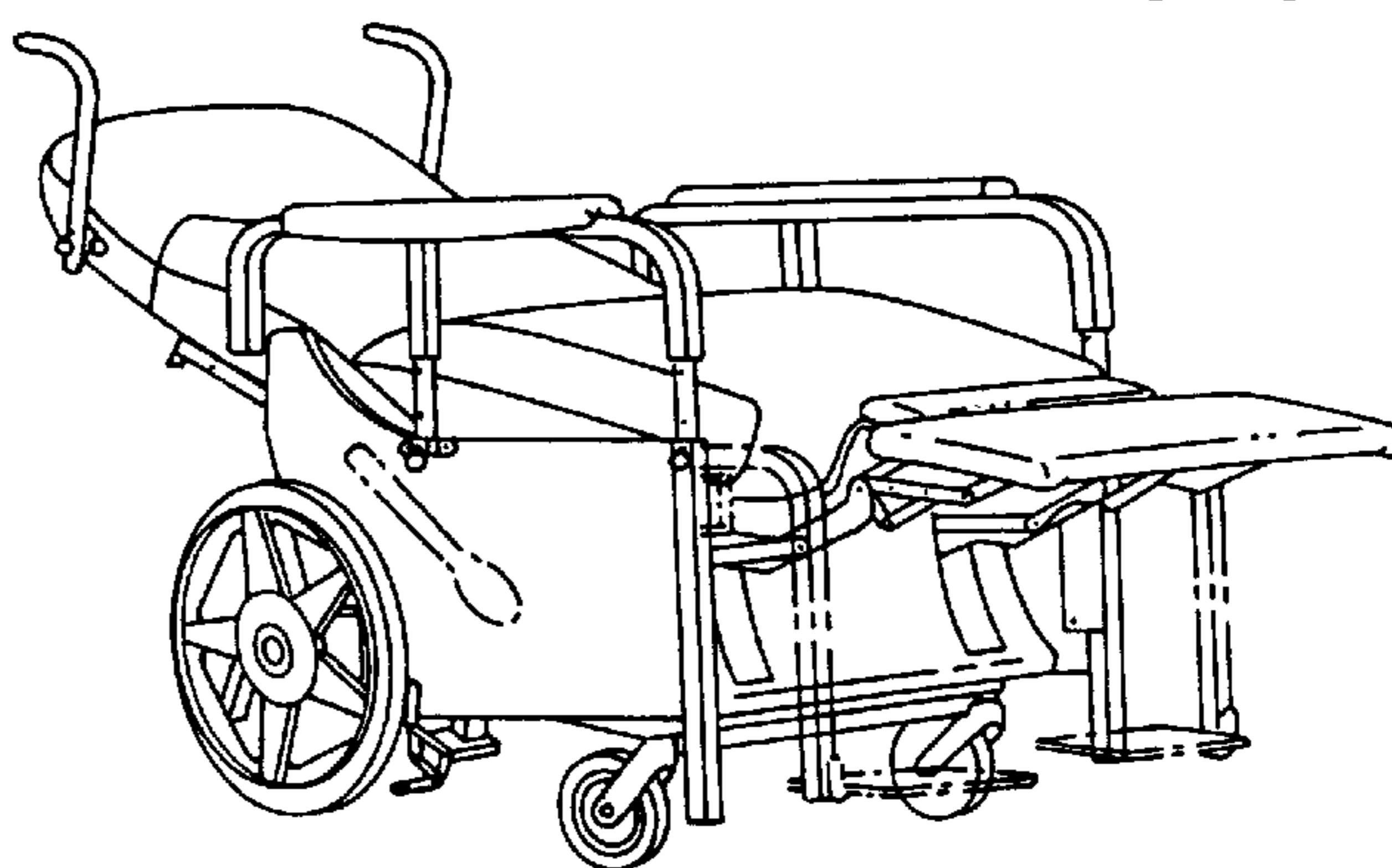


FIG 10

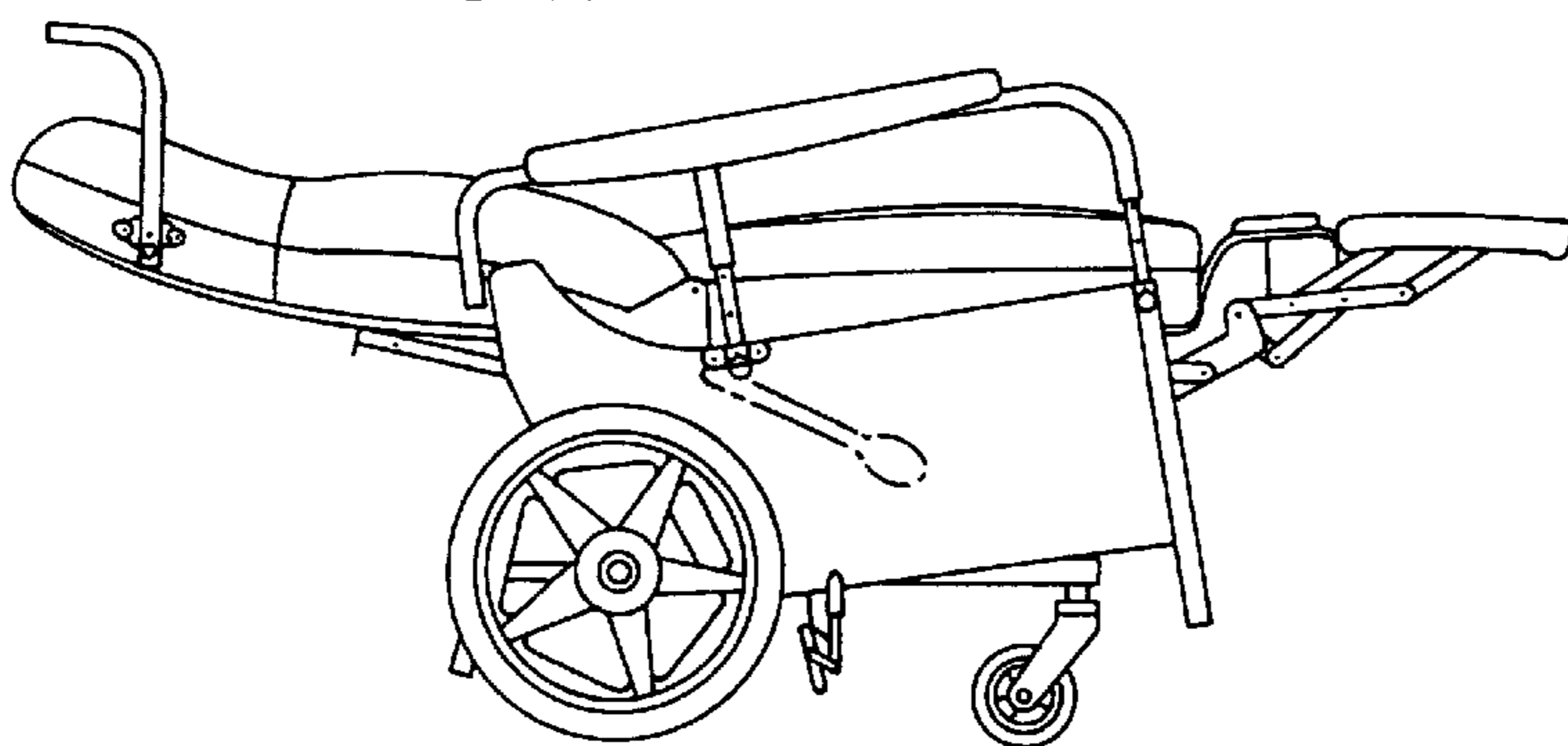


FIG 11

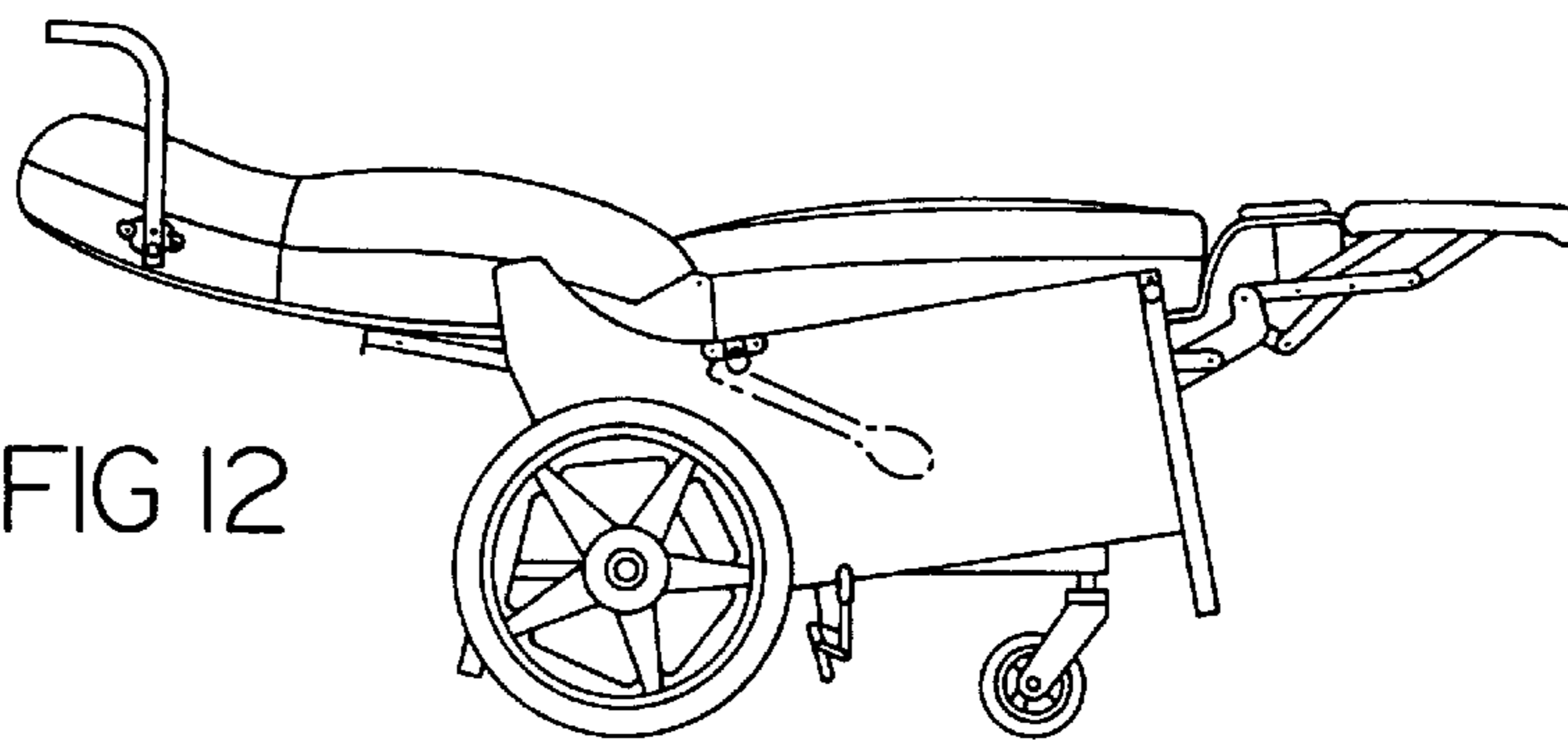


FIG 12

FIG 13

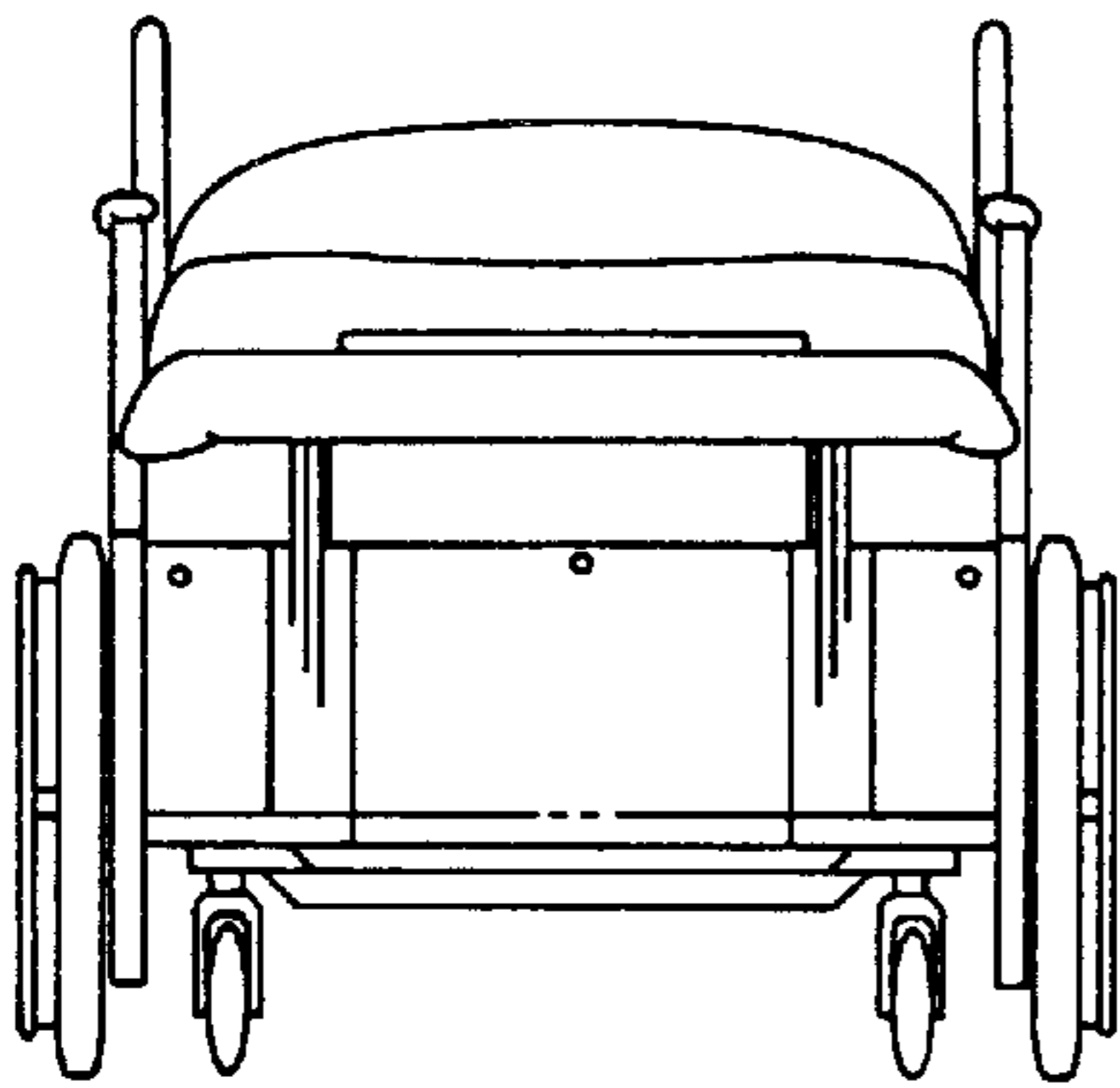


FIG 14

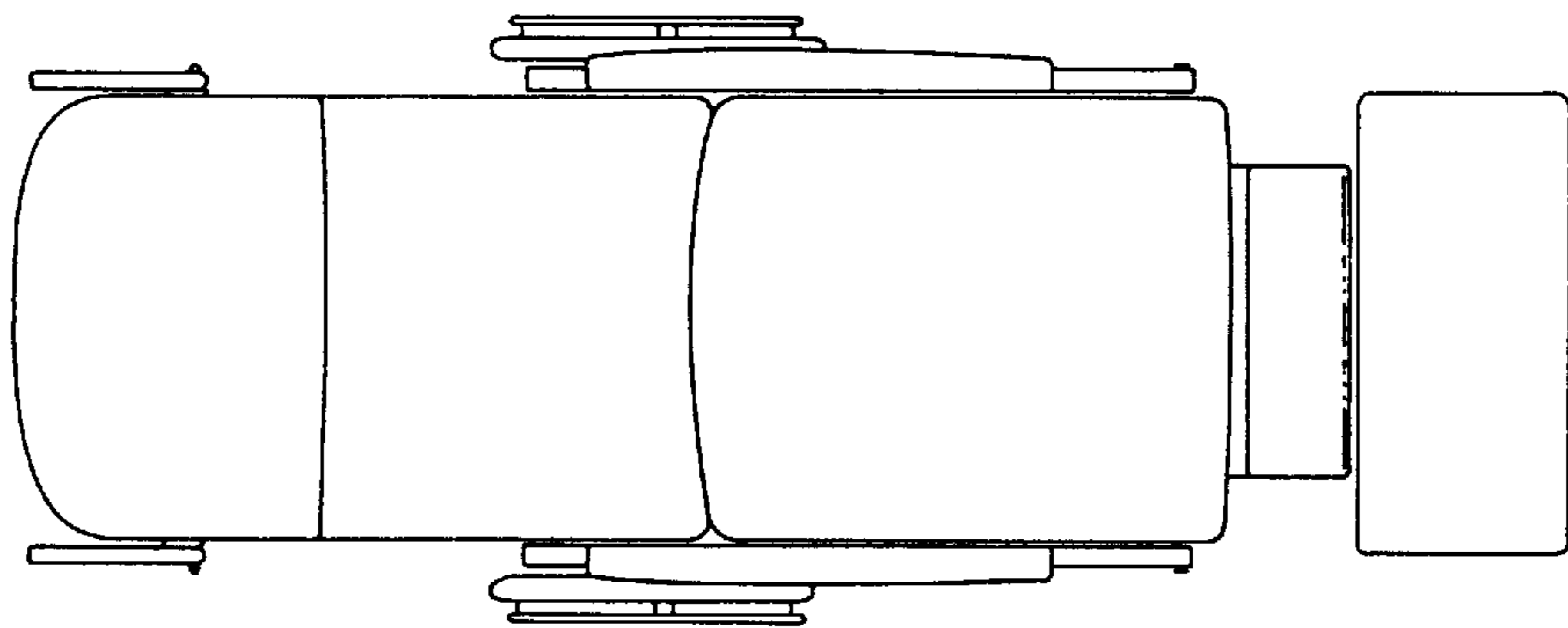
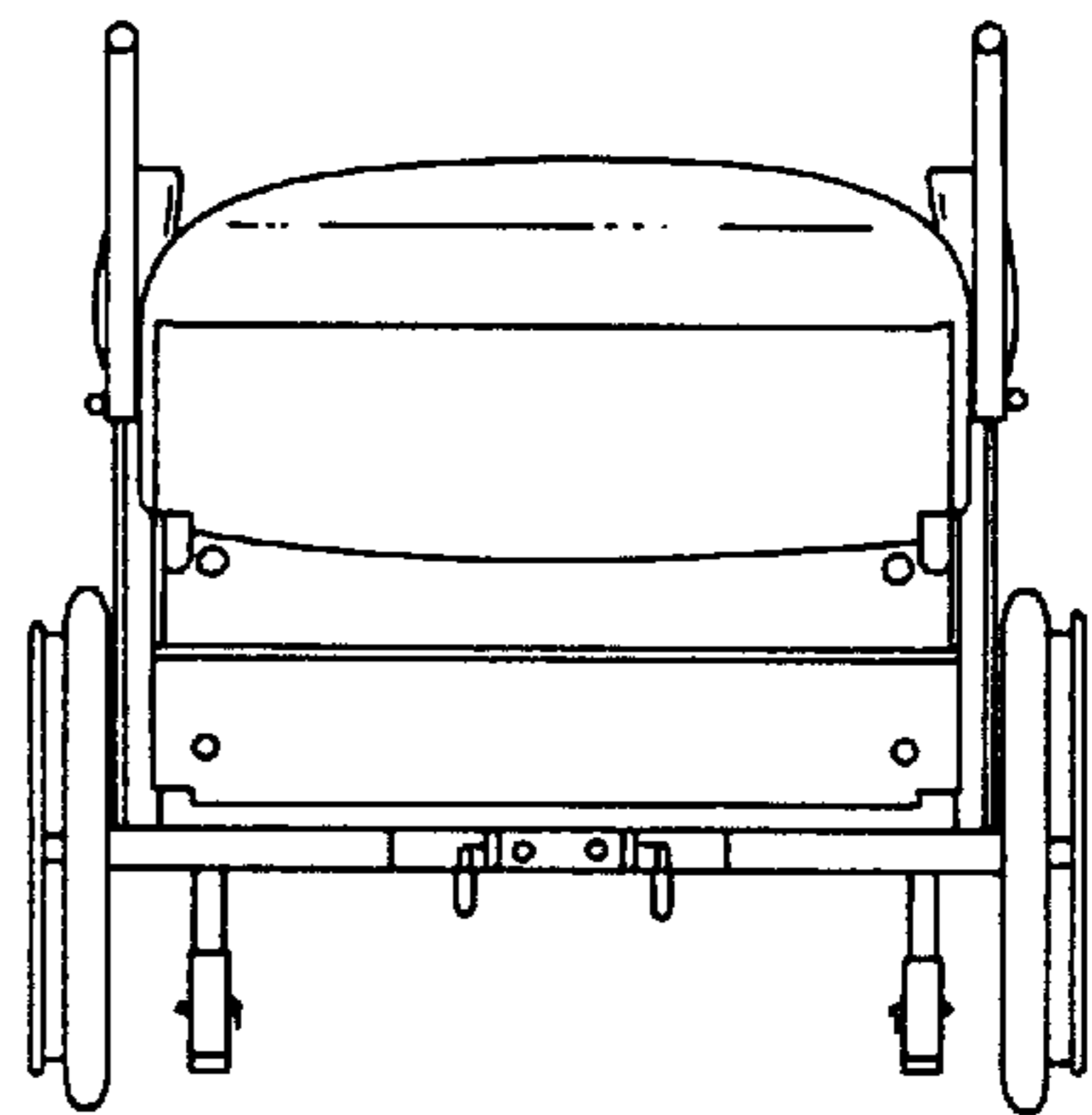


FIG 15

UNITED STATES PATENT AND TRADEMARK OFFICE
CERTIFICATE OF CORRECTION

PATENT NO. : Des. 398,565
DATED : September 22, 1998
INVENTOR(S) : Charles T. Knabusch, et al.

It is certified that error appears in the above-identified patent and that said Letters Patent is hereby corrected as shown below:

On the title page
Under Description, line 12, Column 2,
after "a" insert -- front --;

Under Description, line 29, Column 2,

"shwon" should be -- shown --;

Under Description, line 31, Column 2,
";" should be -- . --.

Signed and Sealed this
Second Day of February, 1999

Attest:



Attesting Officer

Acting Commissioner of Patents and Trademarks