

US00D398562S

United States Patent [19]

Coker et al.

[11] **Patent Number: Des. 398,562**

[45] **Date of Patent: **Sep. 22, 1998**

[54] **BICYCLE**

[75] Inventors: **Joseph Dana Coker; David Thomas Coker**, both of Chattanooga, Tenn.

[73] Assignee: **Coker Tire Company**, Chattanooga, Tenn.

[**] Term: **14 Years**

[21] Appl. No.: **73,229**

[22] Filed: **Jul. 7, 1997**

[51] **LOC (6) Cl.** **12-11**

[52] **U.S. Cl.** **D12/111**

[58] **Field of Search** D12/111; 280/281.1, 280/288.1-288.3

[56] **References Cited**

U.S. PATENT DOCUMENTS

D. 155,745	10/1949	Stevens	D12/111
D. 198,827	8/1964	Schreckengost	D12/111
2,151,533	3/1939	Schwinn	D12/111

OTHER PUBLICATIONS

Bicycling, Jan. 1997, p. 96, The KHS Fleetwood Bicycle.

Primary Examiner—Melody N. Brown
Attorney, Agent, or Firm—Chambliss, Bahner & Stophel, P.C.

[57] **CLAIM**

The ornamental design for a bicycle, as shown and described.

DESCRIPTION

FIG. 1 is a perspective view of the bicycle of our new design;

FIG. 2 is a side view of the bicycle of our new design, as viewed from the right side of FIG. 7;

FIG. 3 is a side view of the bicycle of our new design, as viewed from the left side of FIG. 7;

FIG. 4 is a top view of the bicycle of our new design;

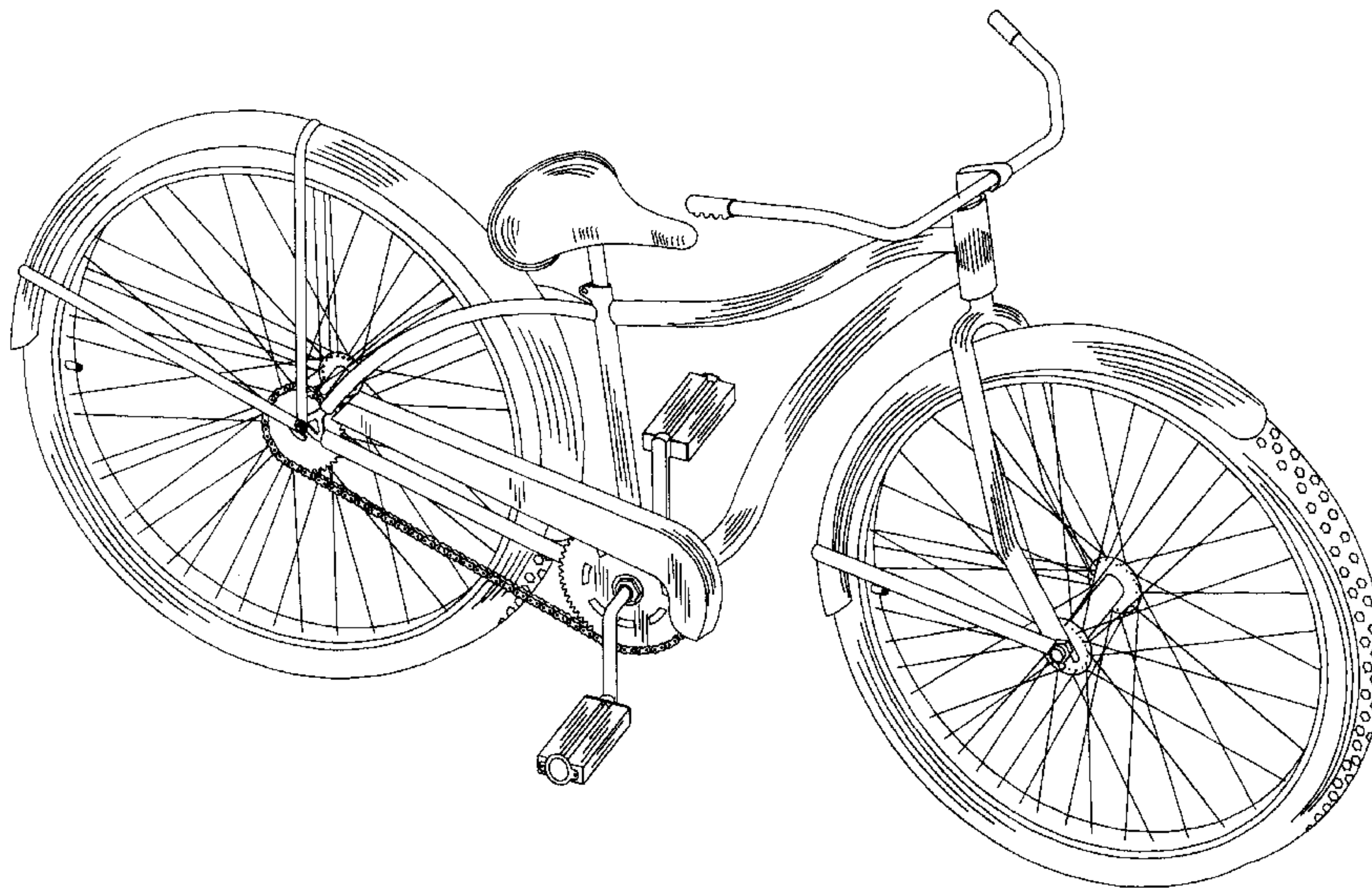
FIG. 5 is a bottom view of the bicycle of our new design;

FIG. 6 is a rear view of the bicycle of our new design; and,

FIG. 7 is a front view of the bicycle of our new design.

A characteristic feature of the design resides in the large size of the wheels of the bicycle relative to the size of the frame.

1 Claim, 6 Drawing Sheets



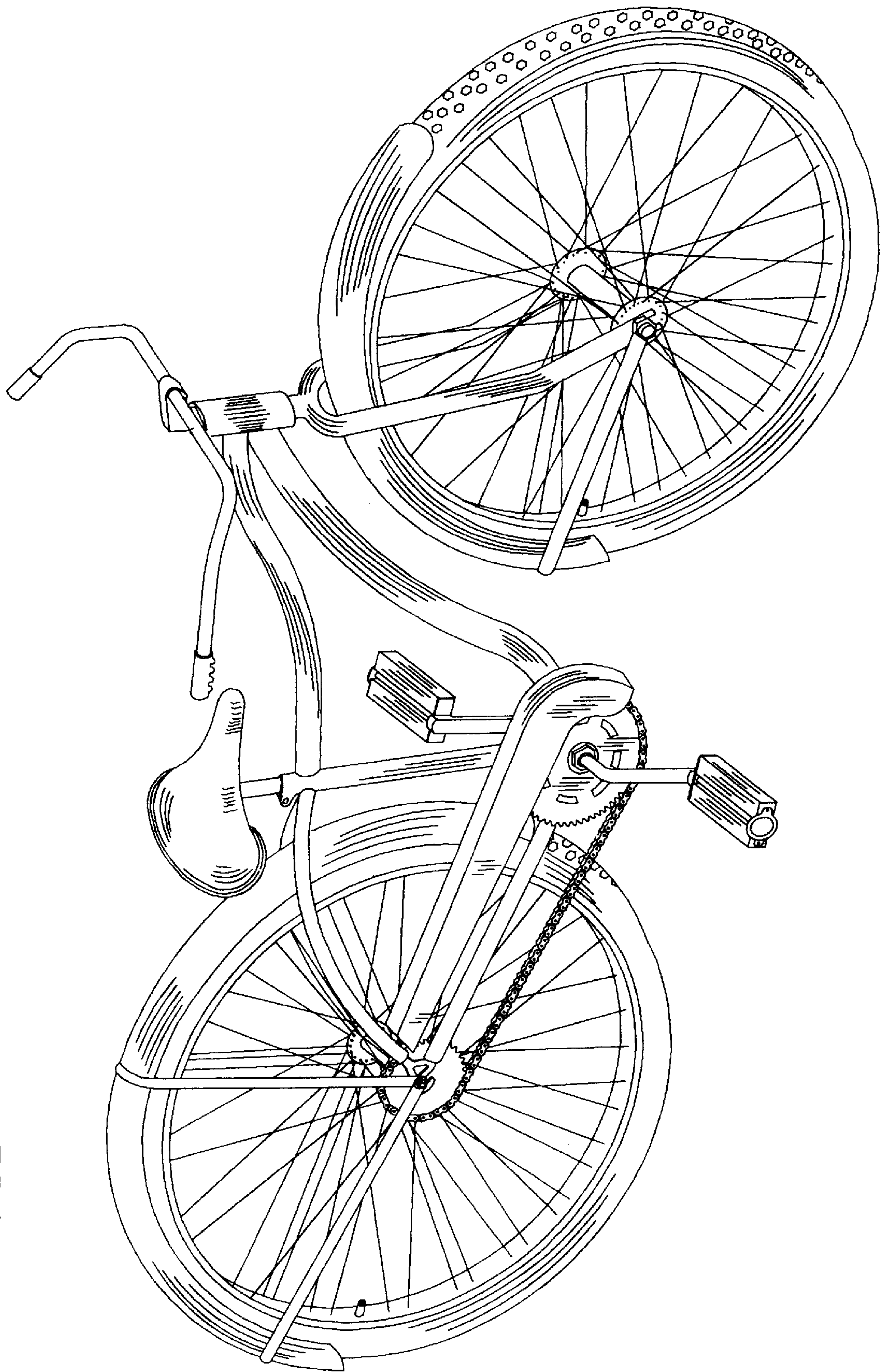


FIG. 1

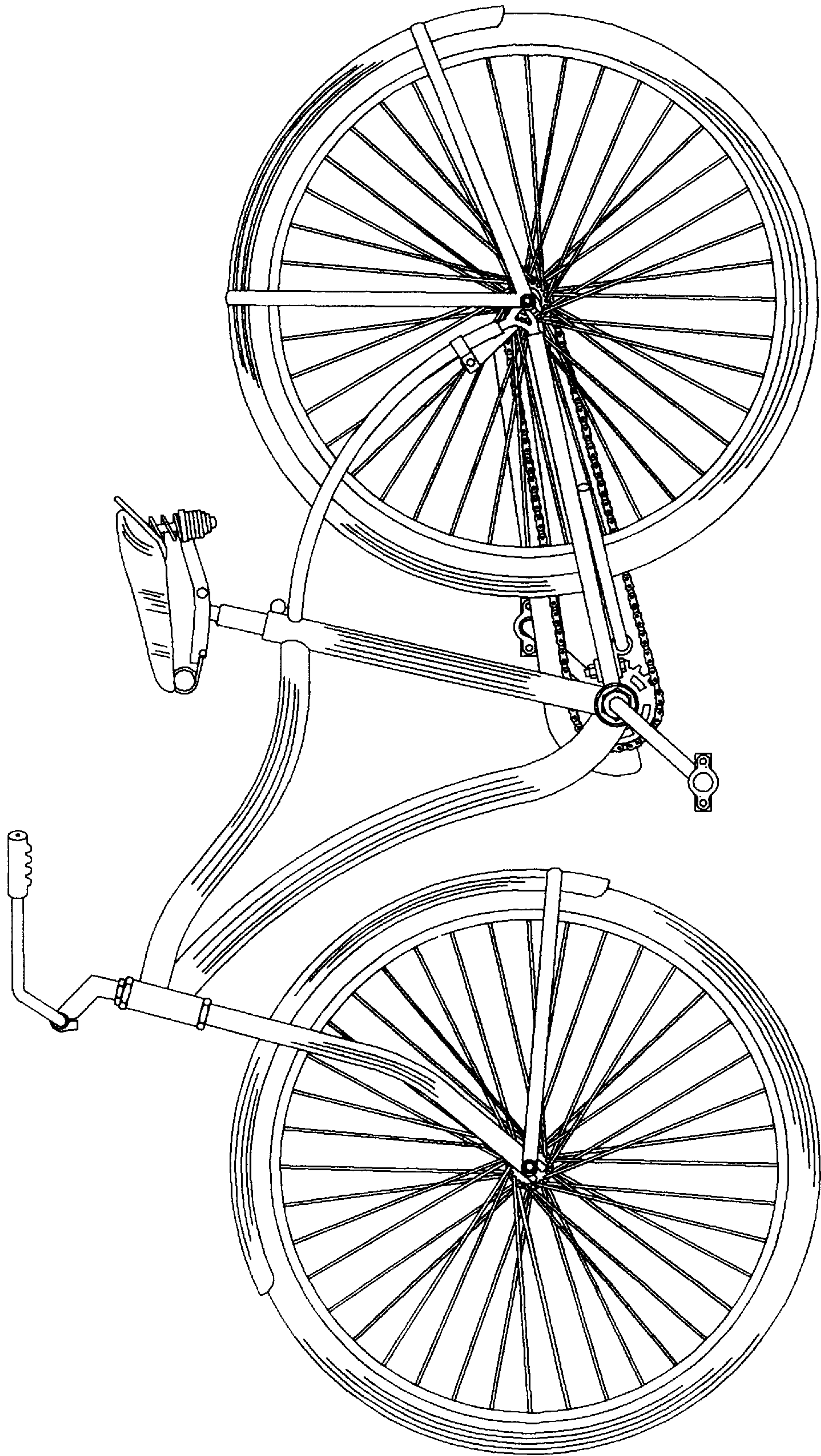


FIG. 2

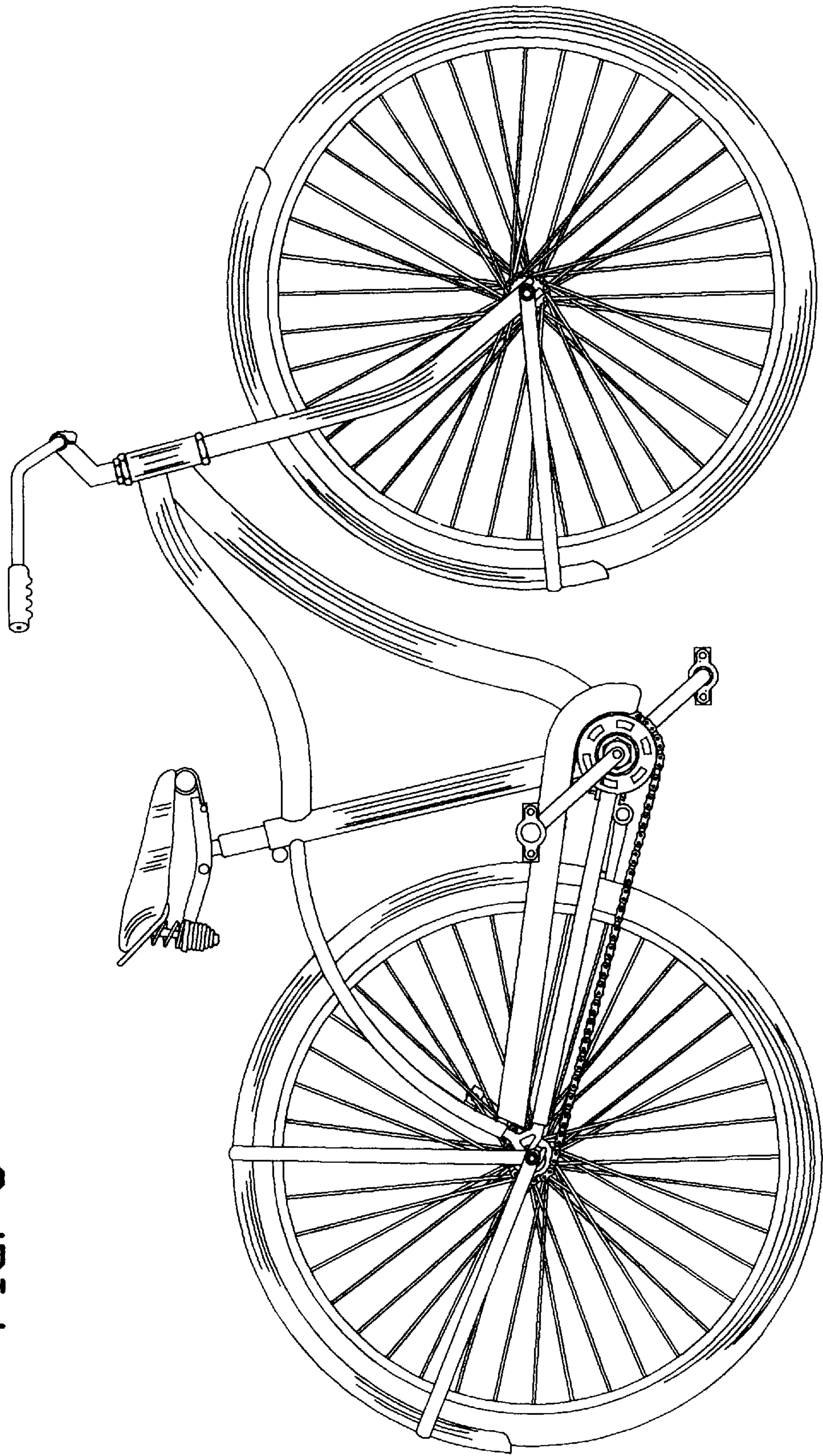


FIG. 3

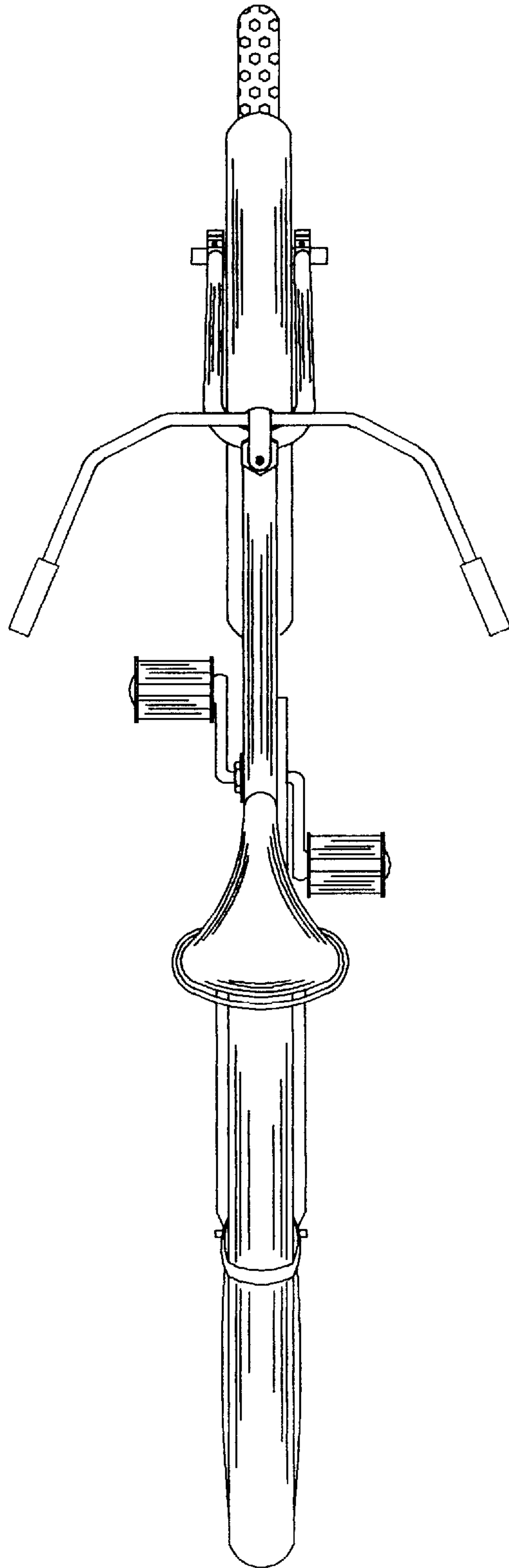


FIG. 4

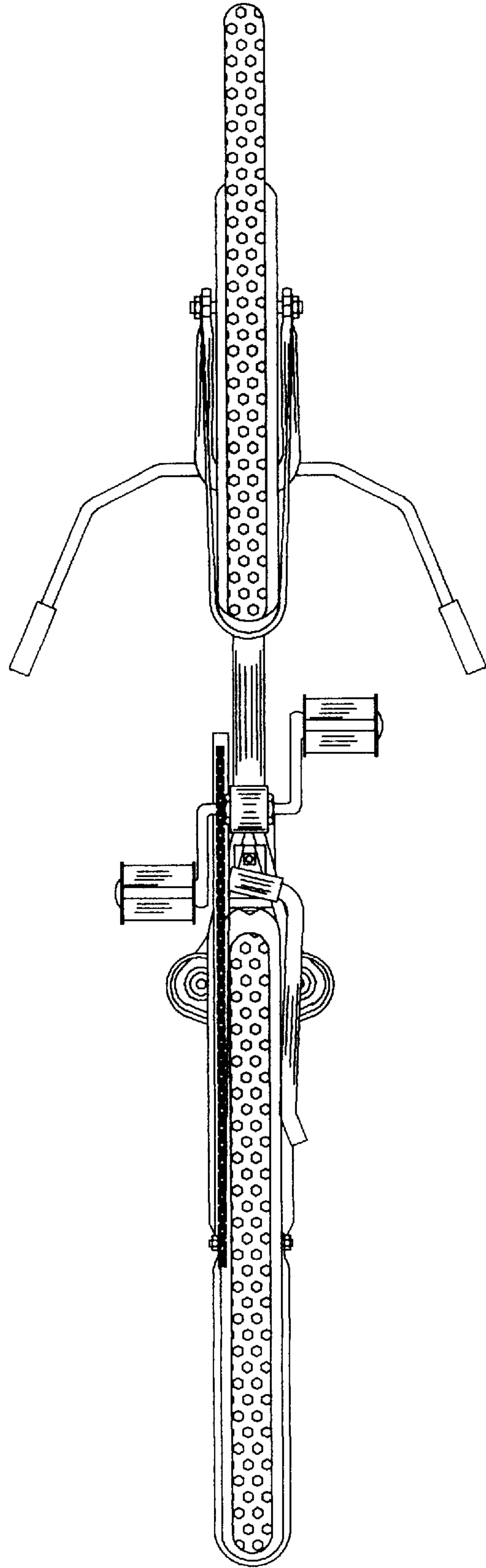


FIG. 5

FIG. 7

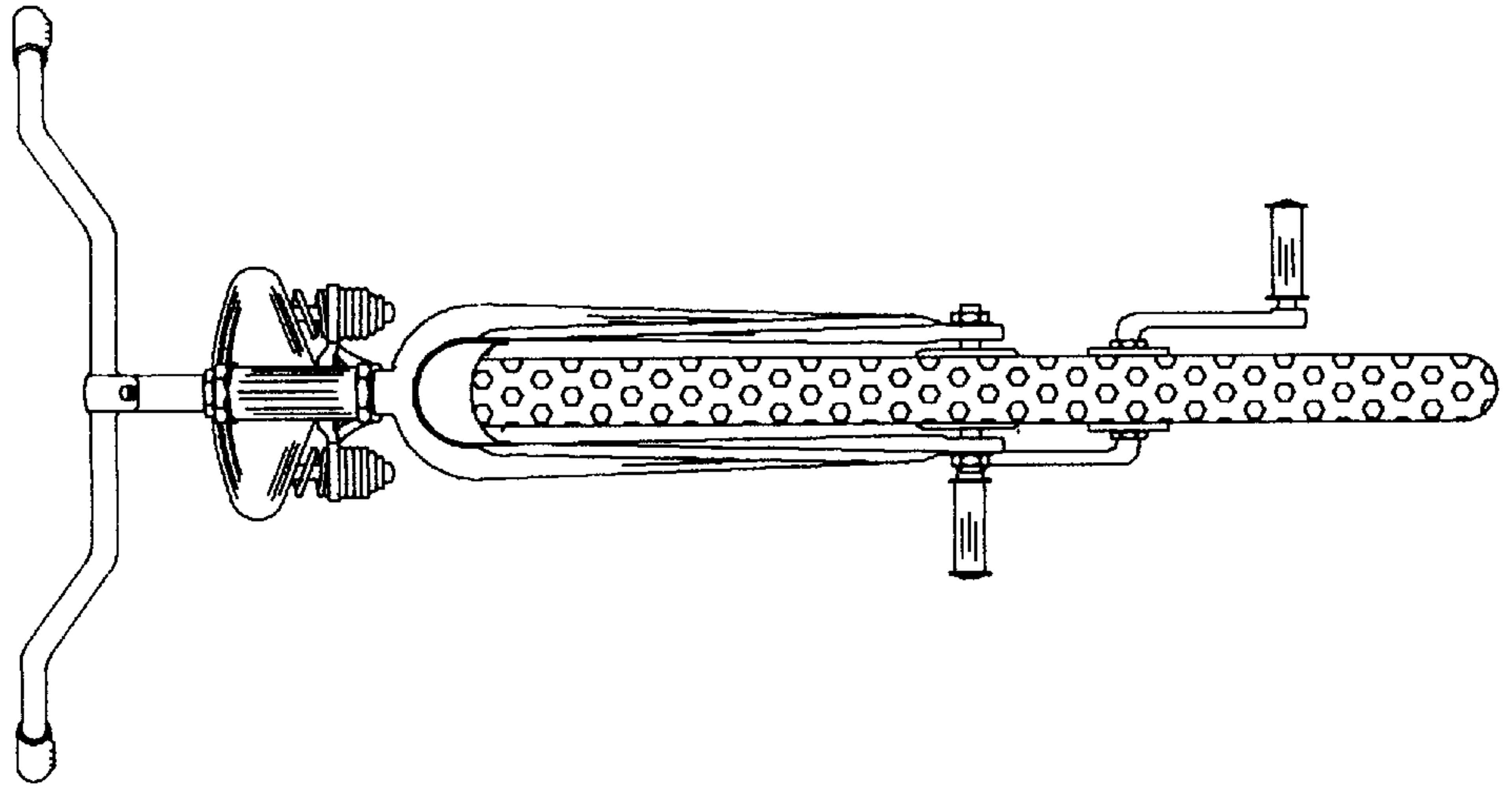


FIG. 6

