



US00D398560S

**United States Patent** [19]  
**Oda**

[11] **Patent Number: Des. 398,560**

[45] **Date of Patent: \*\*Sep. 22, 1998**

[54] **SLIDER FOR SLIDE FASTENER**  
[75] Inventor: **Kiyoshi Oda**, Namerikawa, Japan  
[73] Assignee: **YKK Corporation**, Tokyo, Japan  
[\*\*] Term: **14 Years**

2,913,795 11/1959 Brown .  
3,099,059 7/1963 Huelster ..... 24/421  
4,074,399 2/1978 Kedzierski .  
5,031,286 7/1991 Kedzierski .  
5,625,928 5/1997 Terada et al. .... 24/421

*Primary Examiner*—Ralf Seifert  
*Attorney, Agent, or Firm*—Hill & Simpson

[21] Appl. No.: **69,149**  
[22] Filed: **Mar. 25, 1997**  
[30] **Foreign Application Priority Data**

[57] **CLAIM**

The ornamental design for “slider for slide fastener”, as shown.

Sep. 27, 1996 [JP] Japan ..... 8-29124  
[51] **LOC (6) Cl.** ..... **02-07**  
[52] **U.S. Cl.** ..... **D11/221**  
[58] **Field of Search** ..... D11/200, 221;  
24/381, 421, 425

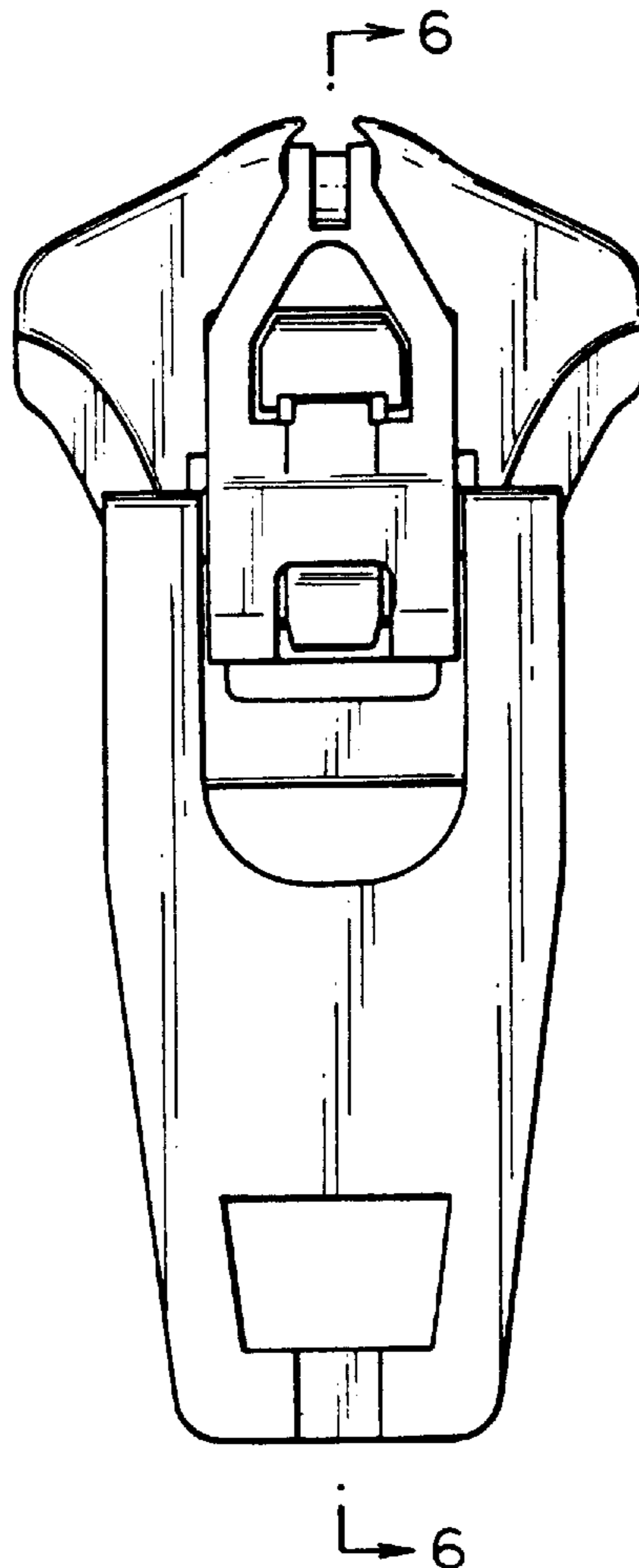
**DESCRIPTION**

FIG. 1 is a front elevational view of a slider for slide fastener showing my new design;  
FIG. 2 is a right side elevational view;  
FIG. 3 is a top plan view;  
FIG. 4 is a bottom plan view;  
FIG. 5 is a rear elevational view; and,  
FIG. 6 is a cross-sectional view taken along the line 6—6 of FIG. 1.

[56] **References Cited**  
**U.S. PATENT DOCUMENTS**

D. 304,023 10/1989 Minami ..... D11/221

**1 Claim, 2 Drawing Sheets**



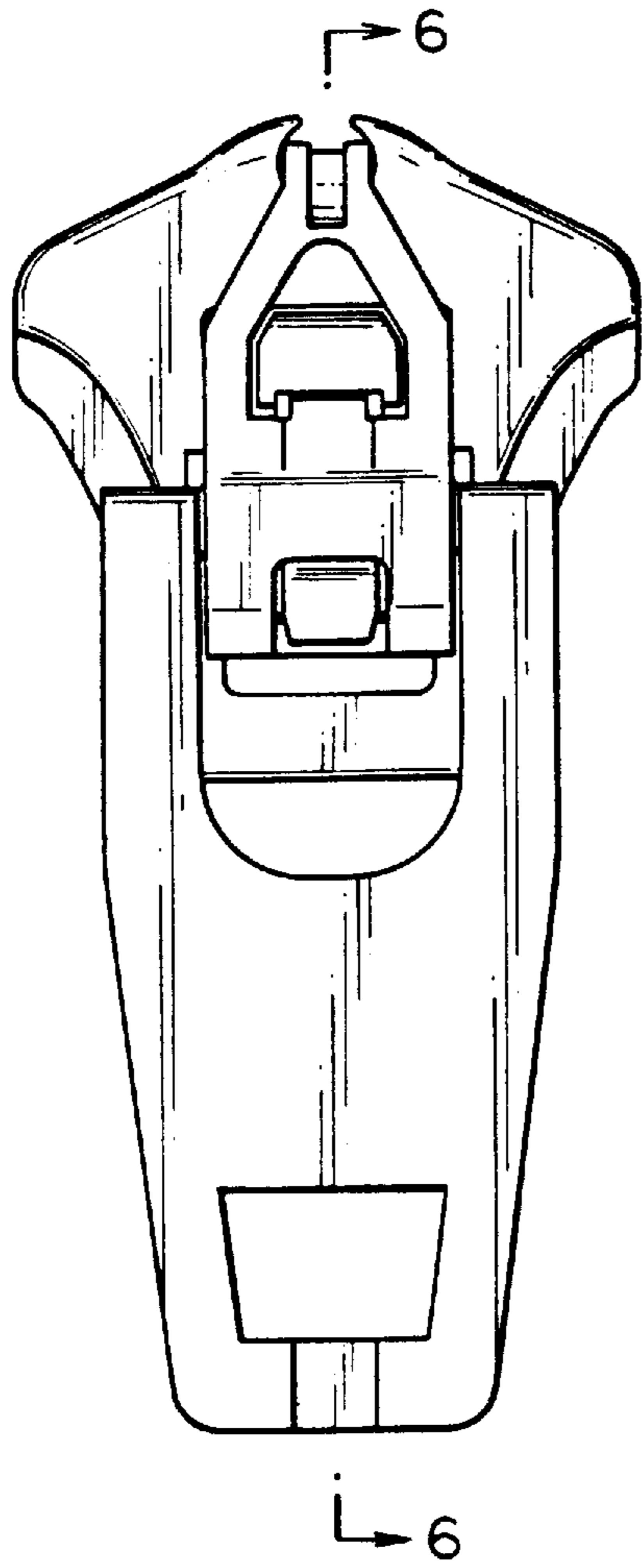


FIG. 1

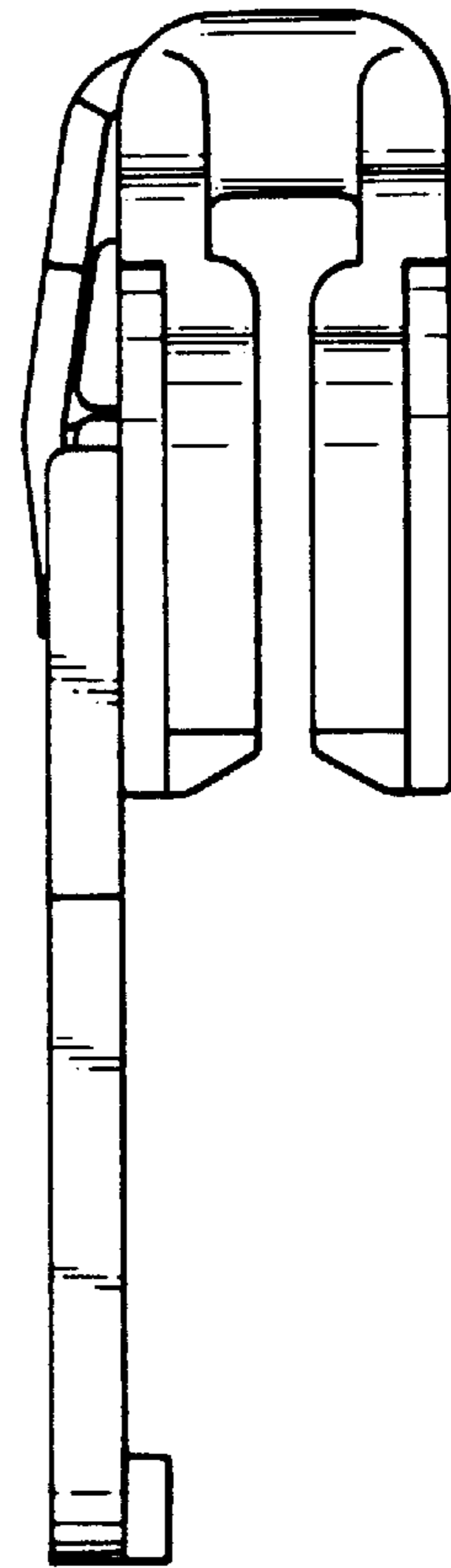


FIG. 2

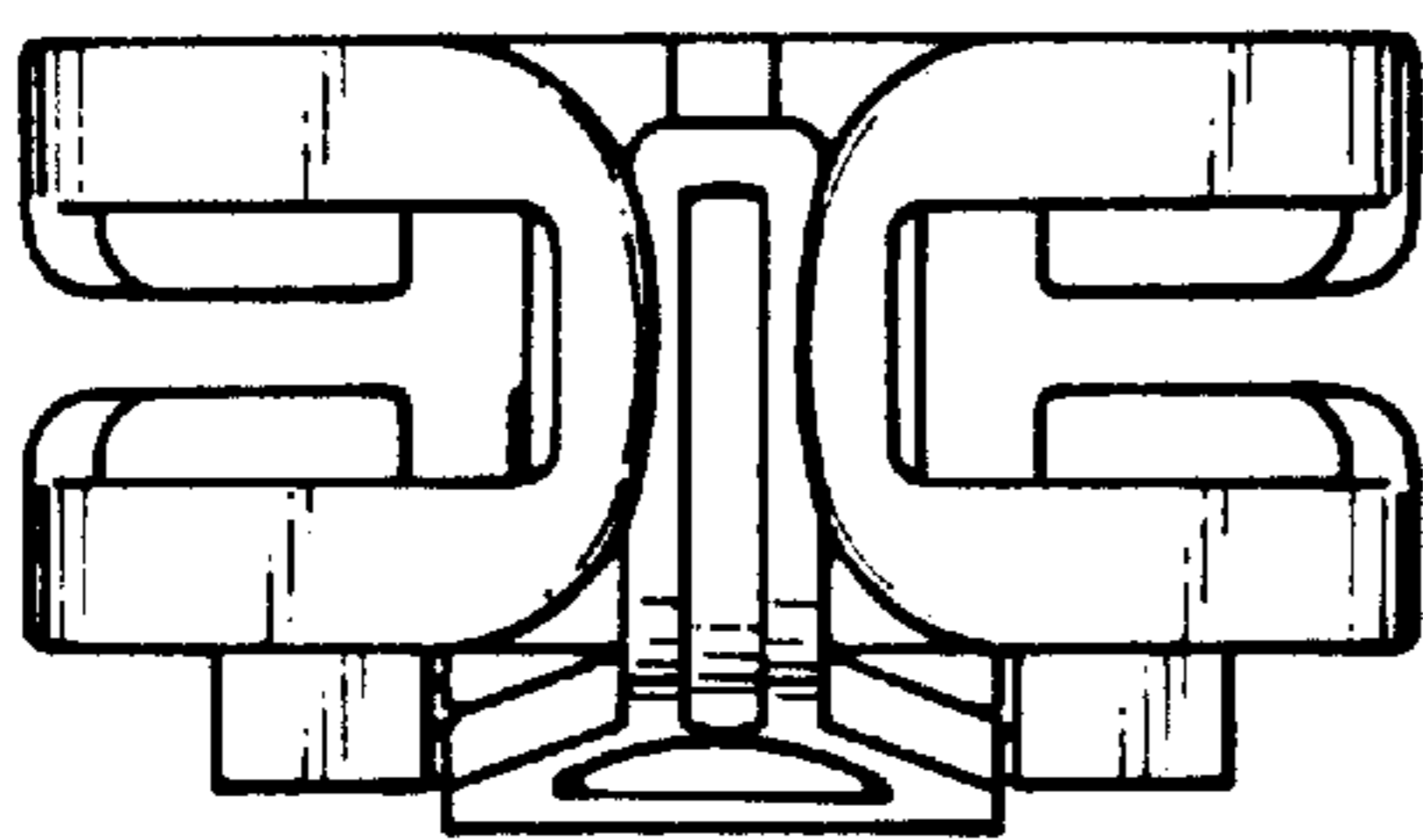


FIG. 3

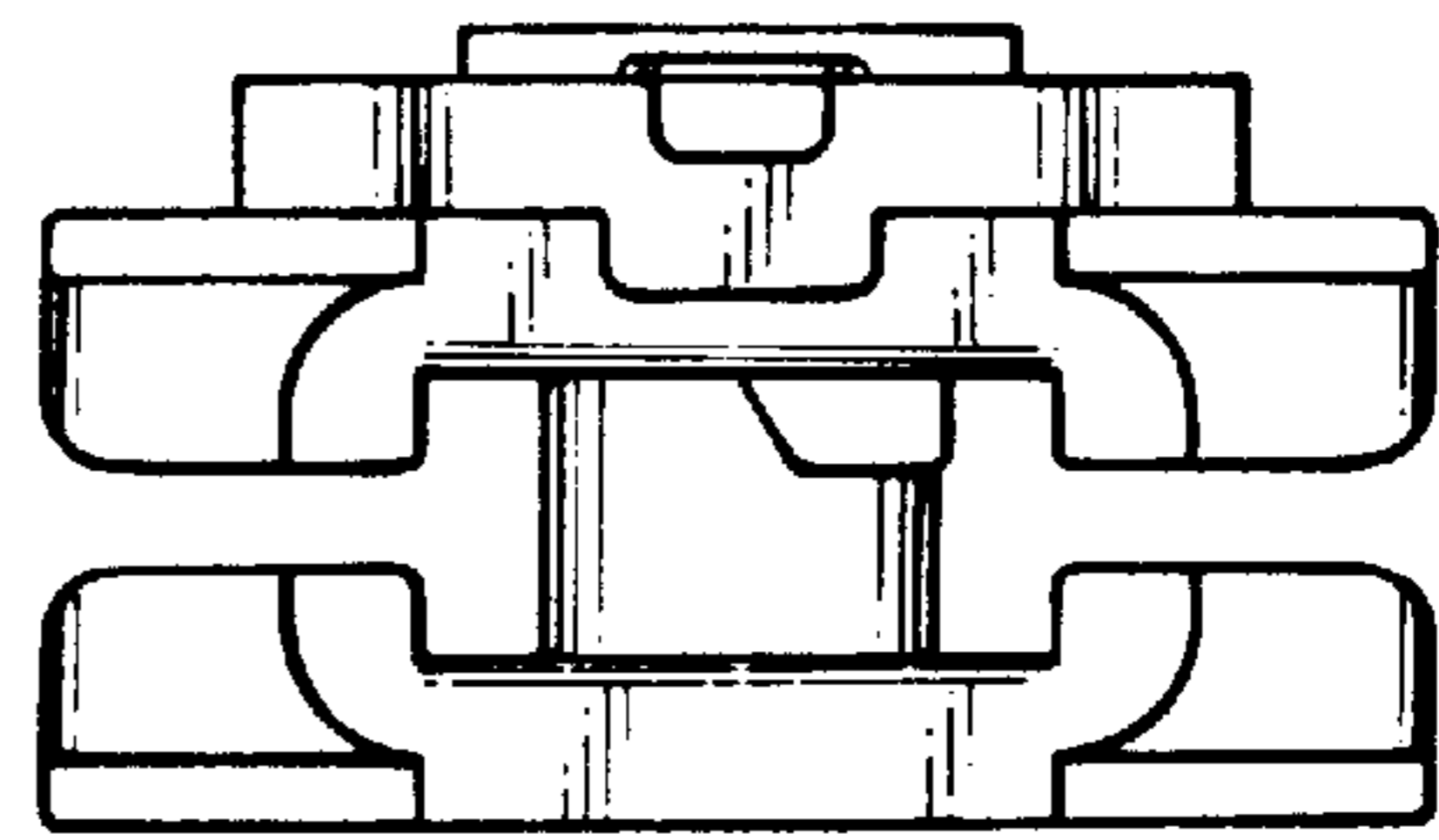


FIG. 4

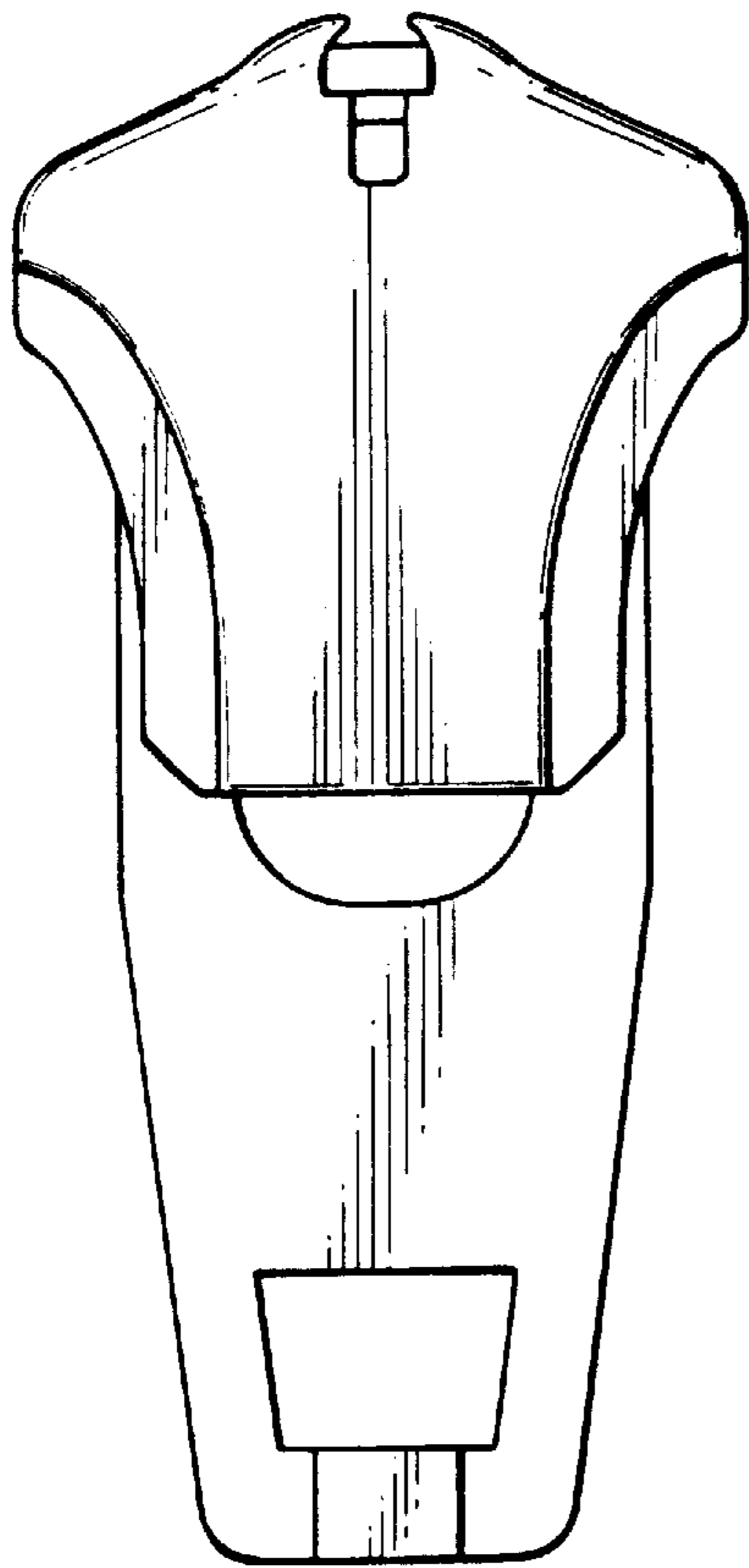


FIG. 5

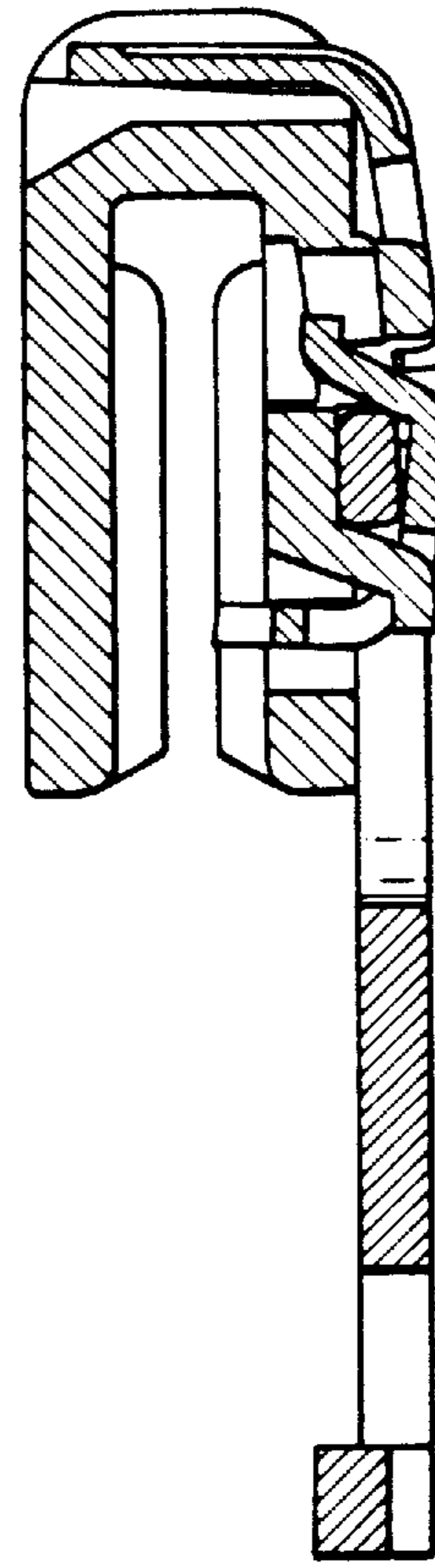


FIG. 6