



US00D398559S

**United States Patent** [19]  
**Chen**

[11] **Patent Number: Des. 398,559**

[45] **Date of Patent: \*\*Sep. 22, 1998**

[54] **BUCKLE**

D. 380,983 7/1997 Lu ..... D11/216  
5,400,477 3/1995 Marega et al. .... 24/685 K

[75] Inventor: **Ching-Jui Chen**, Taichung, Taiwan

[73] Assignee: **Taiwan Industrial Fastener Corporation**, Taipei, Taiwan

*Primary Examiner*—Ralf Seifert  
*Attorney, Agent, or Firm*—Morton J. Rosenberg; David I. Klein; Jun Y. Lee

[\*\*] Term: **14 Years**

[57] **CLAIM**

[21] Appl. No.: **69,961**

The ornamental design for a buckle, as shown and described.

[22] Filed: **Apr. 21, 1997**

**DESCRIPTION**

[51] **LOC (6) Cl.** ..... **02-07**

[52] **U.S. Cl.** ..... **D11/215**

[58] **Field of Search** ..... D11/200, 215-220;  
24/170, 616, 685 K, 705 K

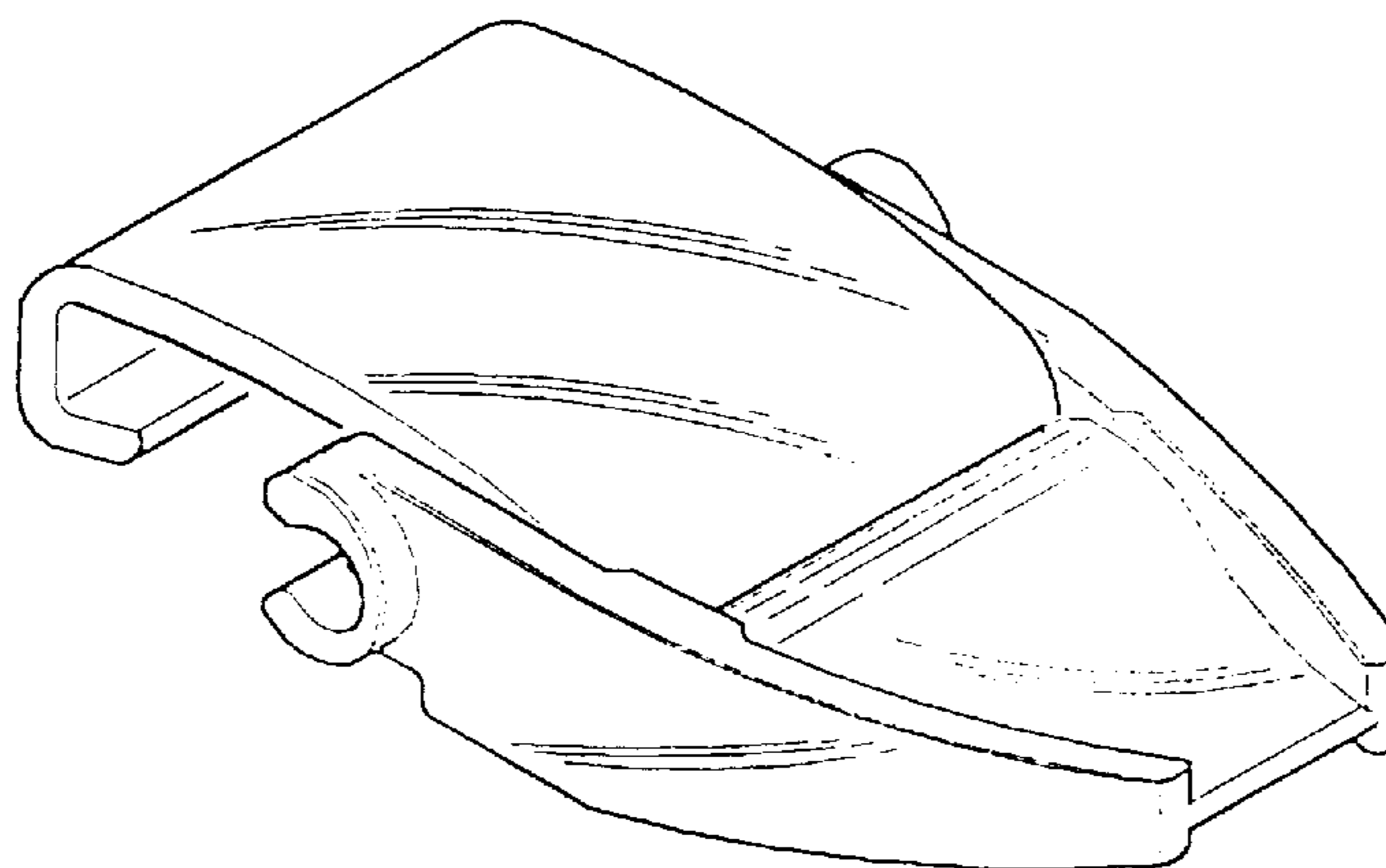
FIG. 1 is a front elevation view of a buckle showing my new design;  
FIG. 2 is a rear elevational view thereof;  
FIG. 3 is a left elevational view thereof;  
FIG. 4 is a right elevational view thereof;  
FIG. 5 is a top view thereof;  
FIG. 6 is a bottom view thereof;  
FIG. 7 is a perspective view thereof; and,  
FIG. 8 is an exploded view thereof.

[56] **References Cited**

**U.S. PATENT DOCUMENTS**

D. 114,441 4/1939 Deming ..... D11/215  
D. 120,993 6/1940 La Vigne ..... D11/215

**1 Claim, 6 Drawing Sheets**



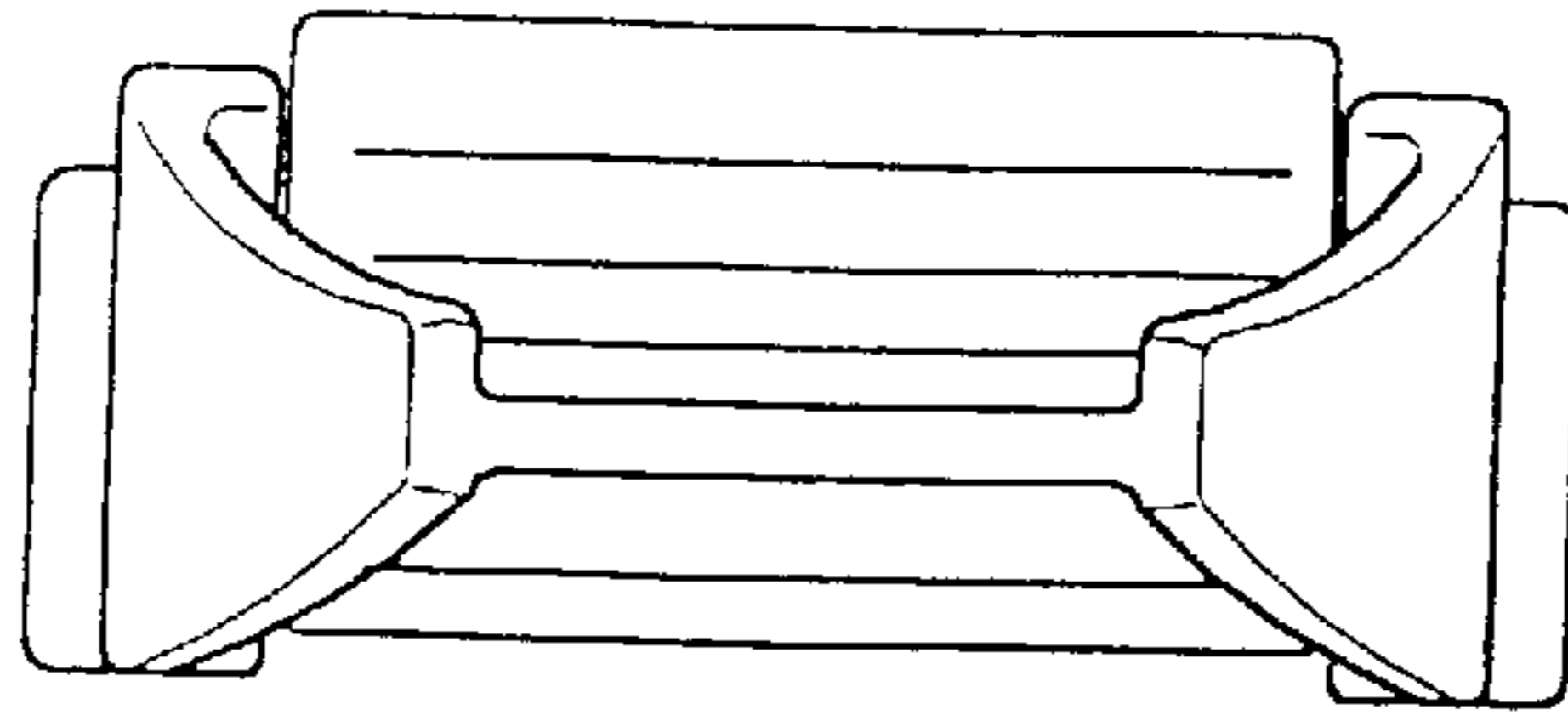


FIG. 1

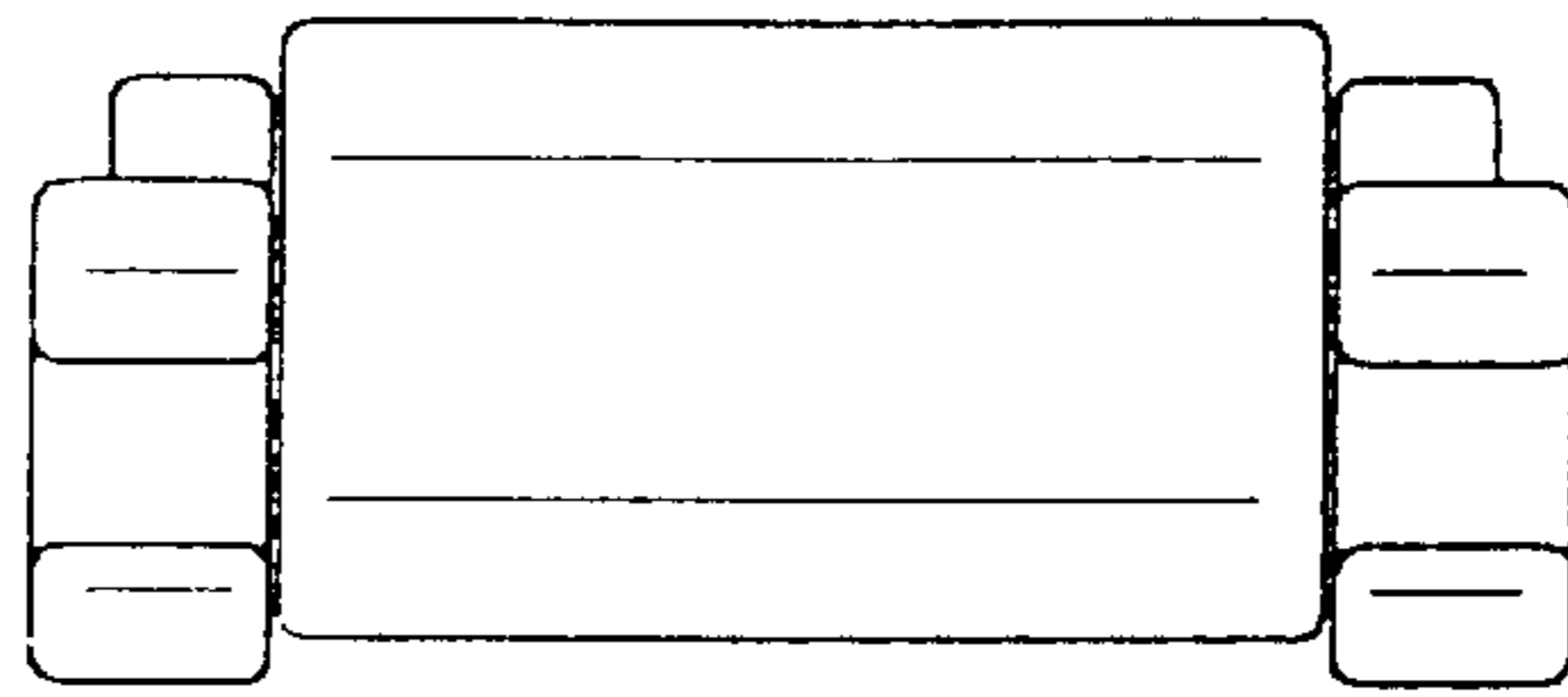


FIG. 2

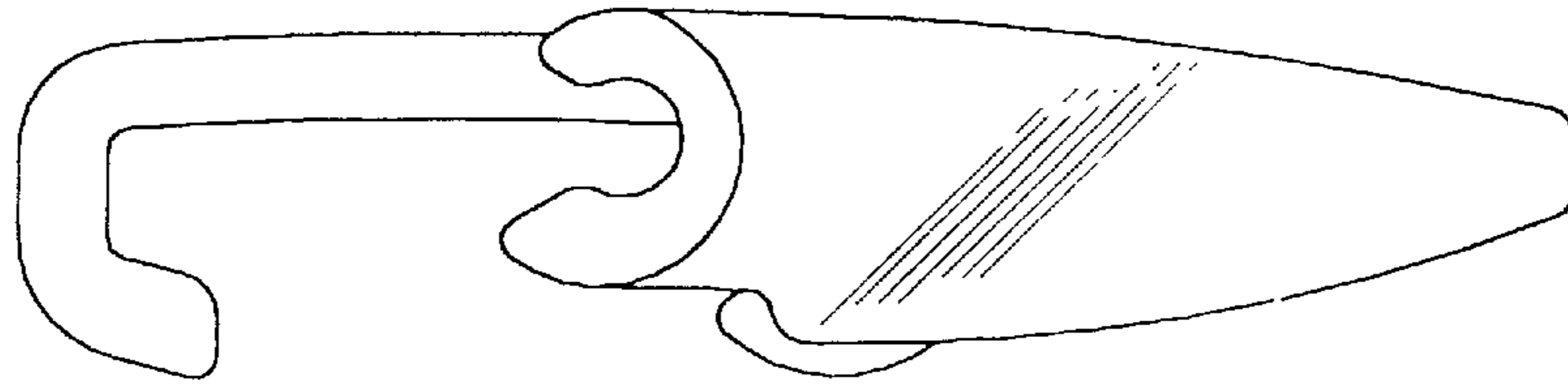


FIG. 3

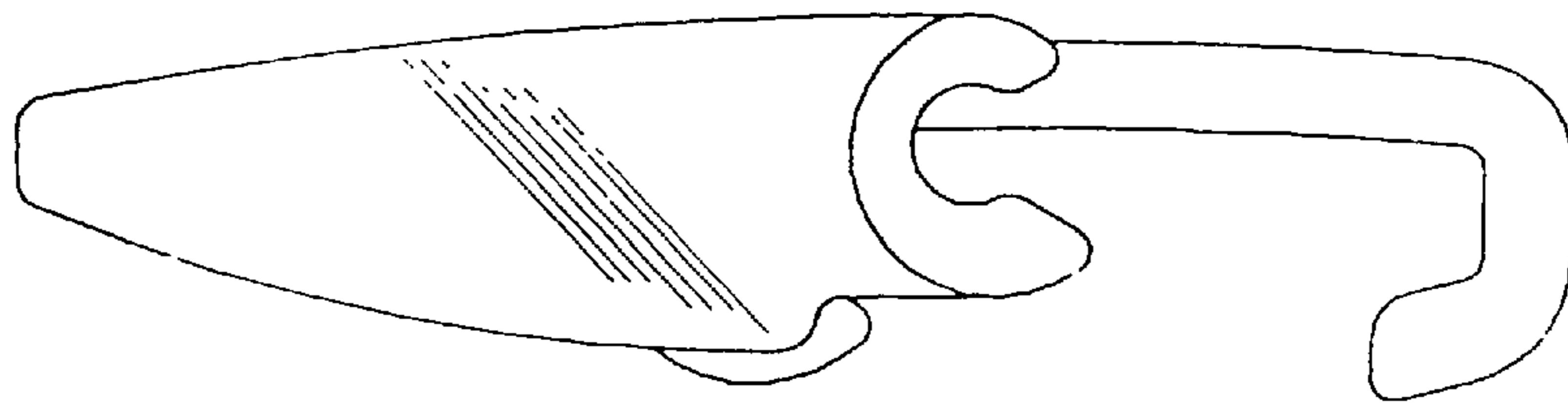


FIG. 4

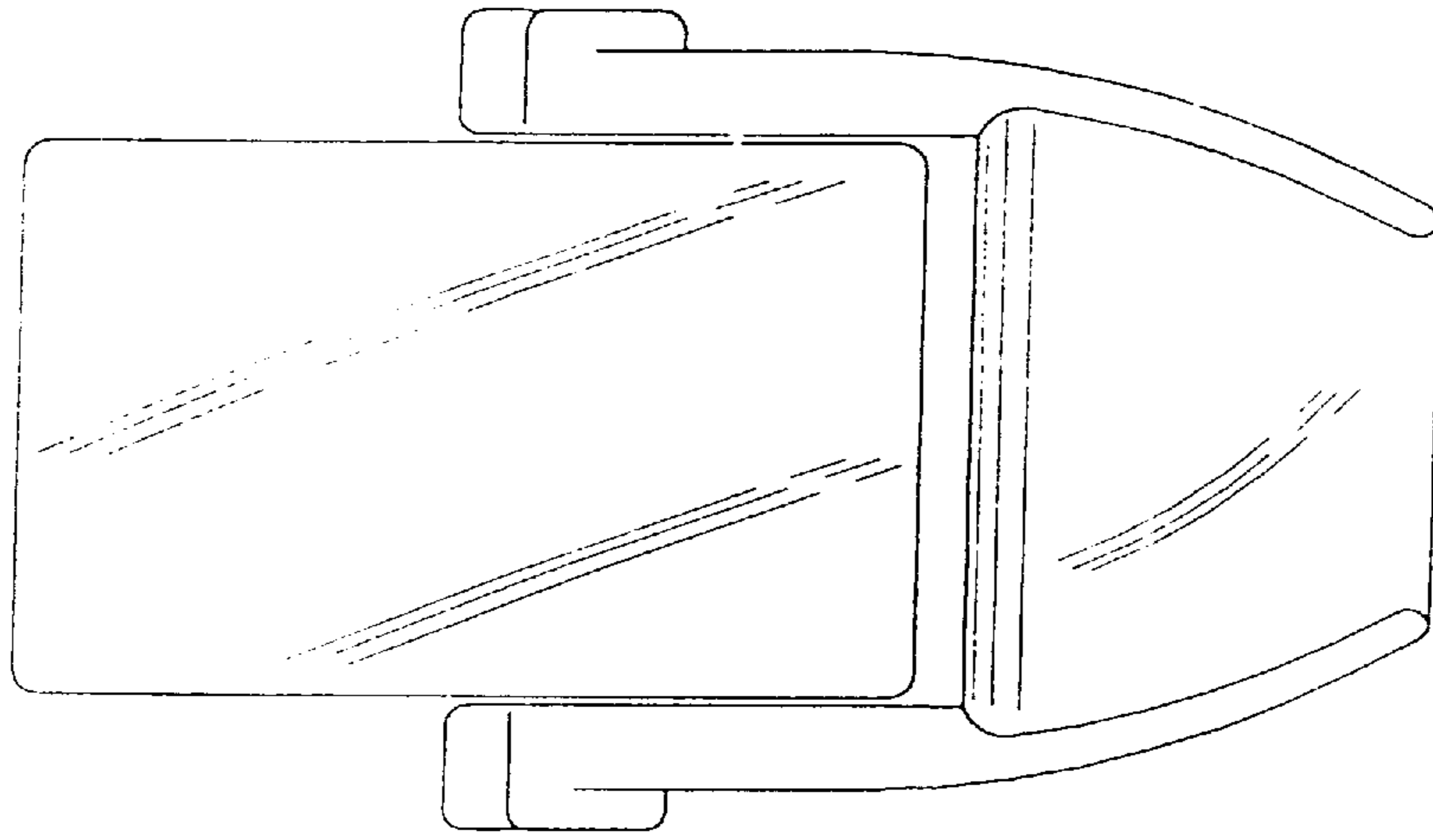


FIG. 5

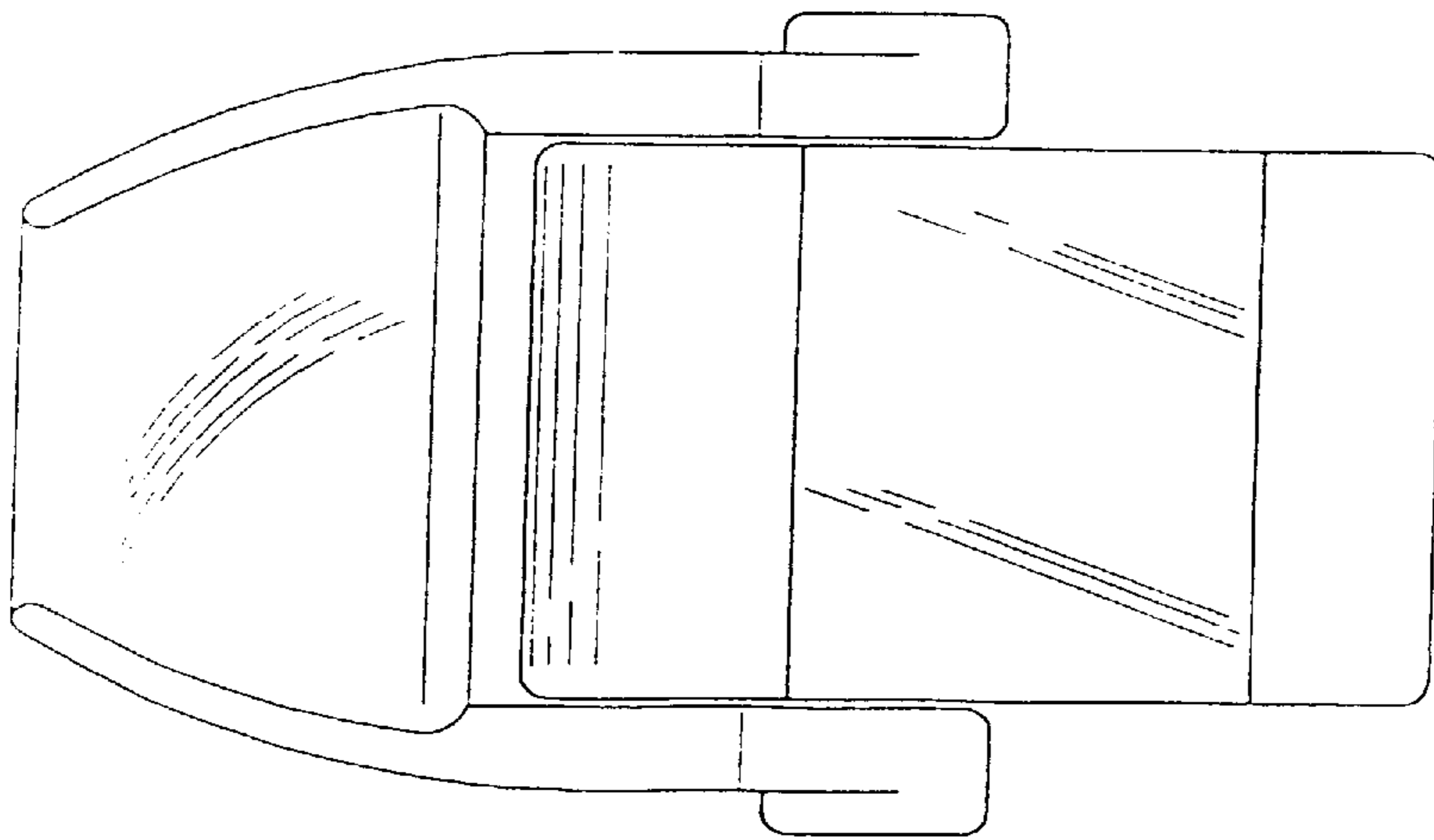


FIG. 6

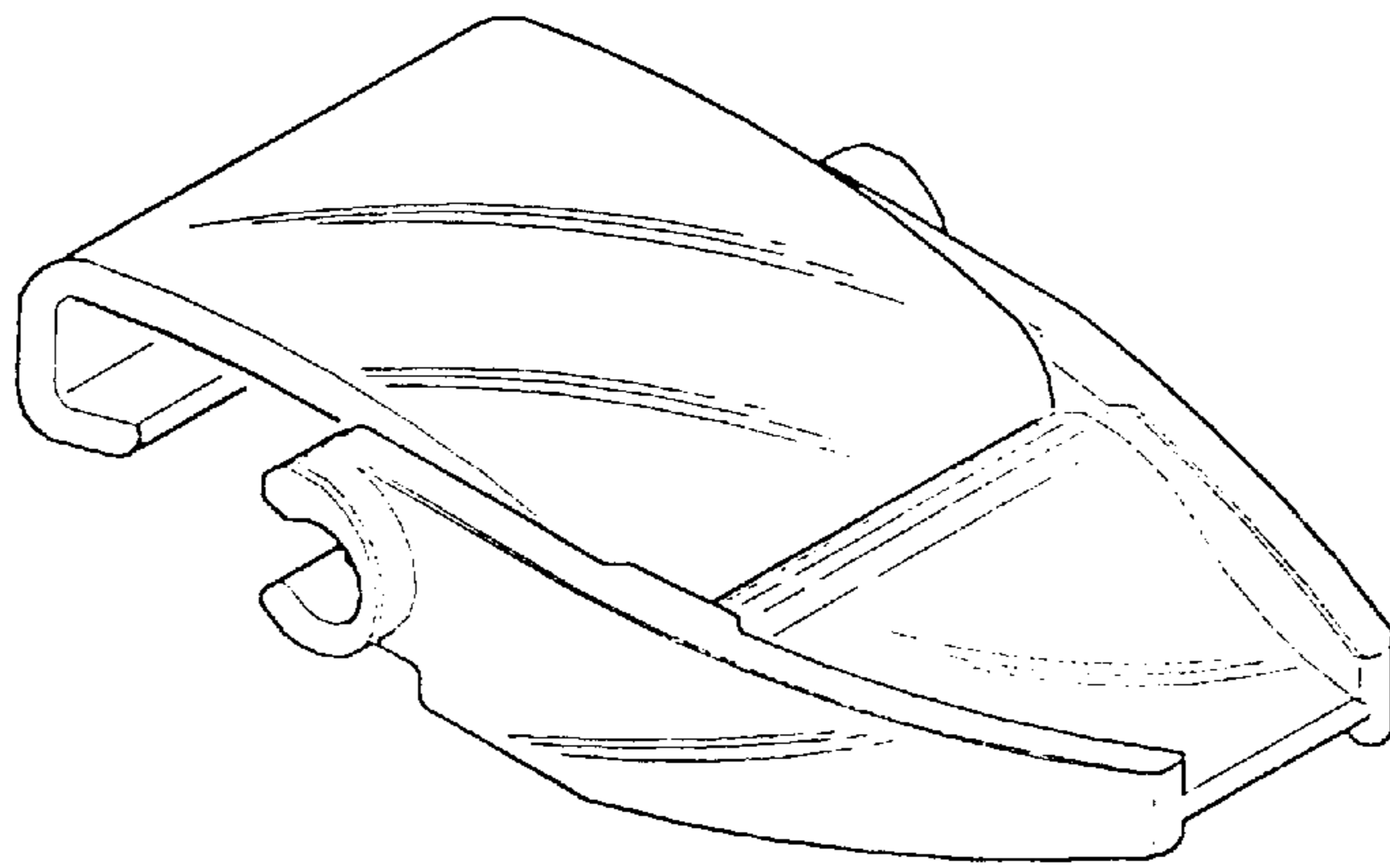


FIG. 7

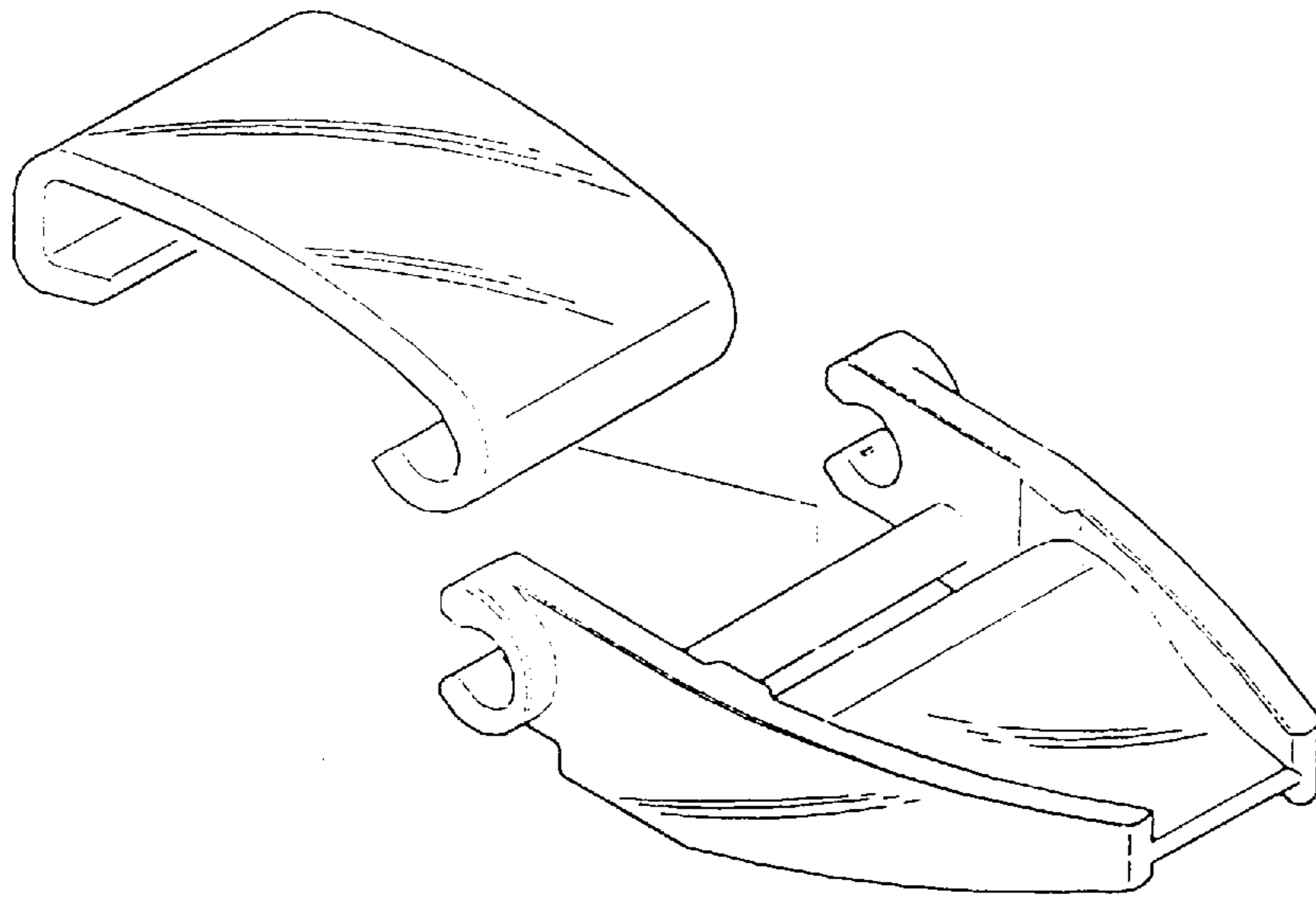


FIG.8