



US00D398558S

United States Patent [19]

LaBorde et al.

[11] **Patent Number: Des. 398,558**

[45] **Date of Patent: **Sep. 22, 1998**

[54] **COMBINED NECKTIE AND SCARF SLIDE**

D. 180,462 6/1957 Towne D11/202
4,667,346 5/1987 Stollo 2/152.1 R

[76] Inventors: **Jeff M. LaBorde; Margarita J. LaBorde**, both of 11528 Hela Ave., Lake View Terrace, Calif. 91342

Primary Examiner—Ralf Seifert

[**] Term: **14 Years**

[57] **CLAIM**

The ornamental design for a combined necktie and scarf slide, as shown.

[21] Appl. No.: **71,226**

DESCRIPTION

[22] Filed: **May 23, 1997**

FIG. 1 is a front elevational view of a combined necktie and scarf slide showing my new design; FIG. 2 is a rear elevational view; FIG. 3 is a left side elevational view; FIG. 4 is a front elevational view shown in a position of use, the broken line showing of a necktie is for illustrative purposes only and forms no part of the claimed design; and, FIG. 5 is a front elevational view shown in a position of use, the broken line showing of a scarf and figure is for illustrative purposes only and forms no part of the claimed design.

[51] **LOC (6) Cl.** **02-07**

[52] **U.S. Cl.** **D11/202**

[58] **Field of Search** D11/200, 202–205; 2/150, 153, 152.1 R

[56] **References Cited**

U.S. PATENT DOCUMENTS

- D. 26,194 10/1896 Settles D11/202
- D. 127,838 6/1941 Craighead D11/204
- D. 161,005 11/1950 Corpora D11/204

1 Claim, 2 Drawing Sheets

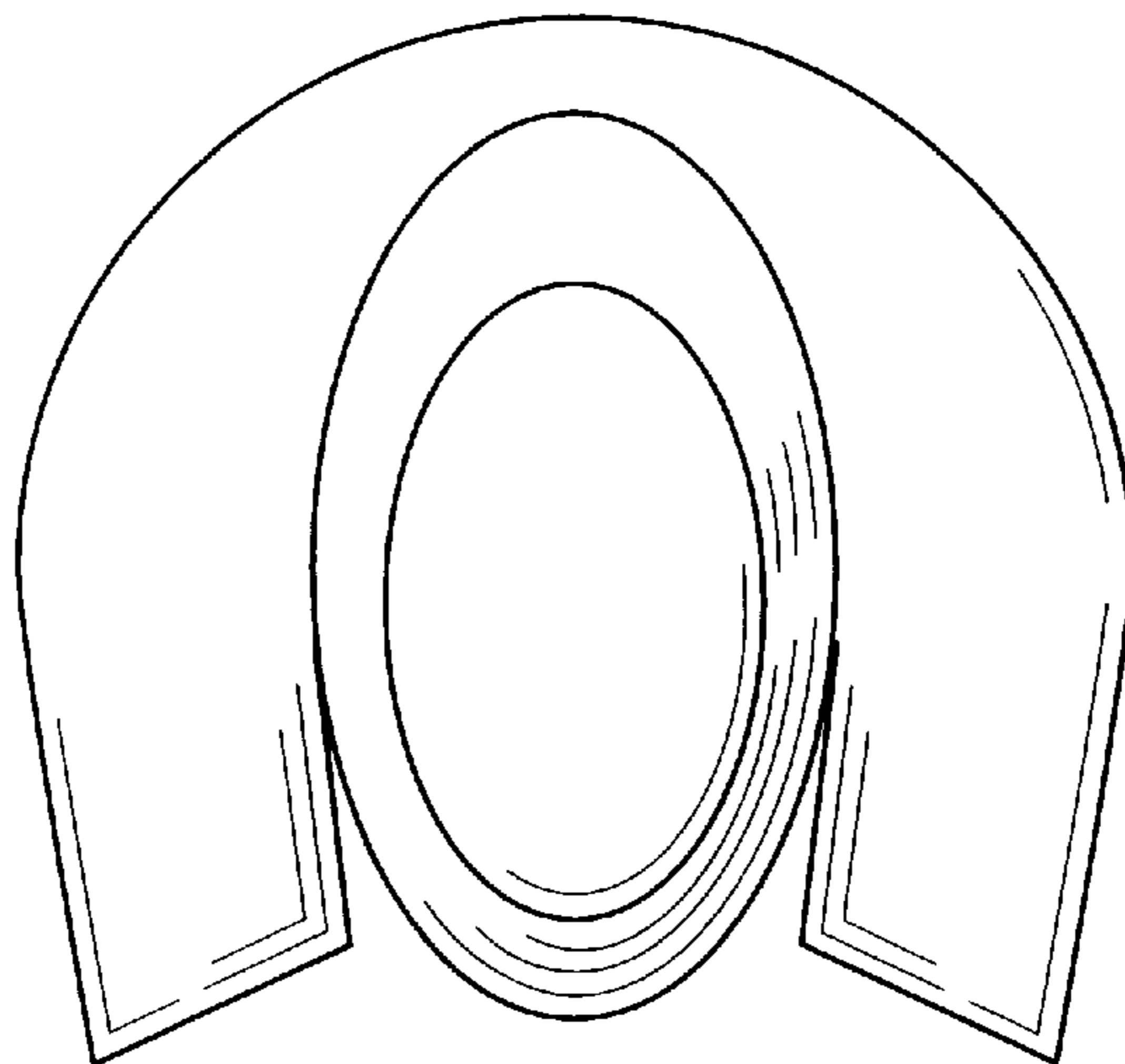


FIG. 1

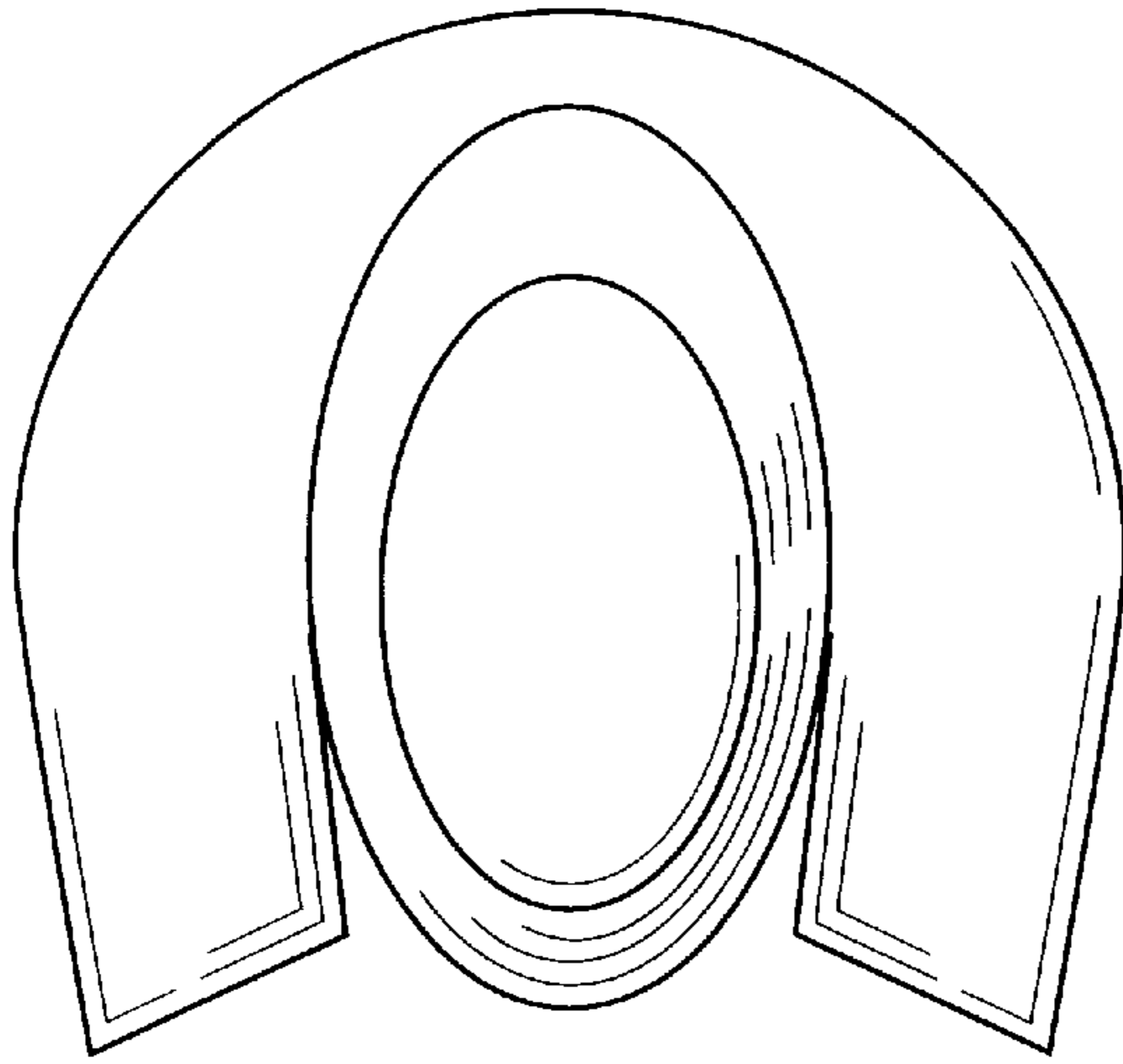


FIG. 3



FIG. 2

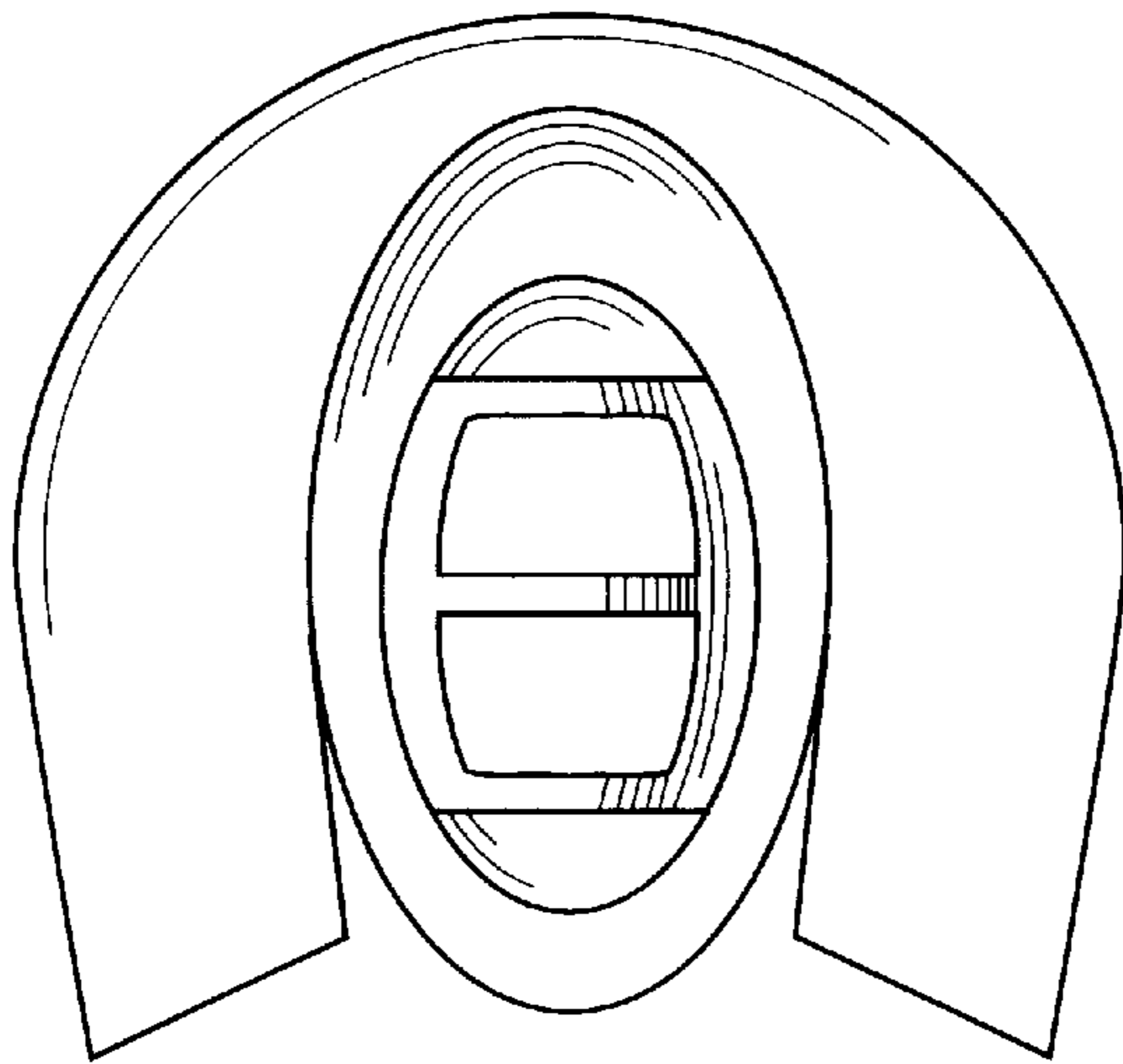


FIG. 4

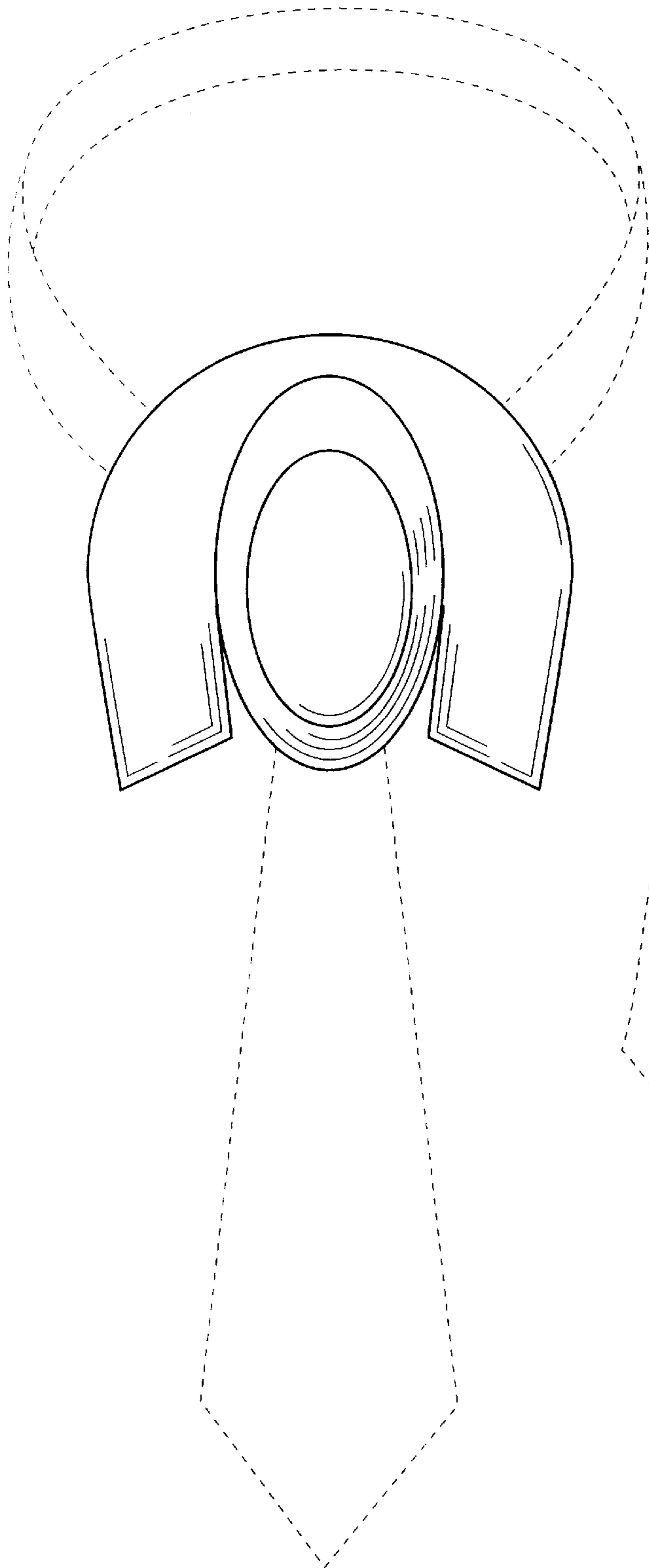


FIG. 5

