



US00D398557S

United States Patent [19] Grosfillex

[11] **Patent Number: Des. 398,557**

[45] **Date of Patent: **Sep. 22, 1998**

[54] **FLOWER POT**

D. 370,187 5/1996 Sanderson D11/152

[75] Inventor: **Raymond Grosfillex**, Oyonnax, France

OTHER PUBLICATIONS

[73] Assignee: **Grosfillex Sarl**, Oyonnax, Cedex, France

International Terra Cotta, Inc. Catalog; No. D5-Vase & No. 2-Vase, Jun. 20, 1977.

[**] Term: **14 Years**

Earthly Delights, Inc.; Sweets Cat. File Products for Interiors; 212b/Ear; No. 01101 Rolled Rim, 1982.

[21] Appl. No.: **80,945**

Primary Examiner—Caron D. Veynar
Attorney, Agent, or Firm—Dowell & Dowell, P.C.

[22] Filed: **Dec. 22, 1997**

[30] Foreign Application Priority Data

Jun. 26, 1997 [XH] Hague Agreement DMA/003761

[57] CLAIM

The ornamental design for a flower pot, as shown and described.

[51] **LOC (6) Cl.** **11-02**

DESCRIPTION

[52] **U.S. Cl.** **D11/152**

[58] **Field of Search** D11/143-156,
D11/164; D6/403-405; 47/65, 65.5, 65.7,
67, 68, 71, 72, 41.01, 41.13, 41.15; 206/423;
248/27.8

FIG. 1 is a front perspective view of a flower pot showing my new design;

FIG. 2 is a top plan view;

FIG. 3 is a bottom plan view; and,

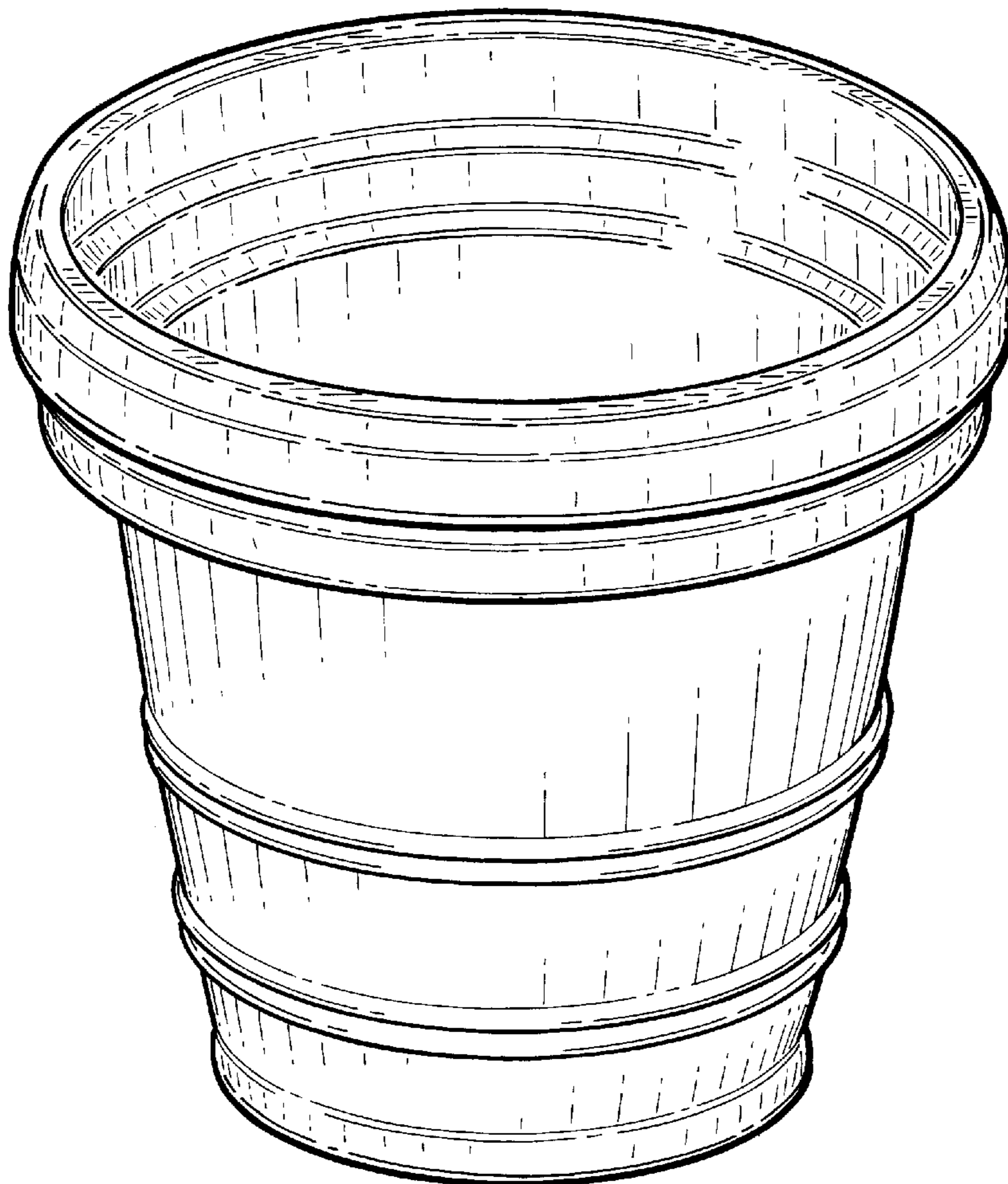
FIG. 4 is a side elevational view, all other side views being identical.

[56] References Cited

U.S. PATENT DOCUMENTS

D. 202,507 10/1965 Shelby D11/152 X

1 Claim, 2 Drawing Sheets



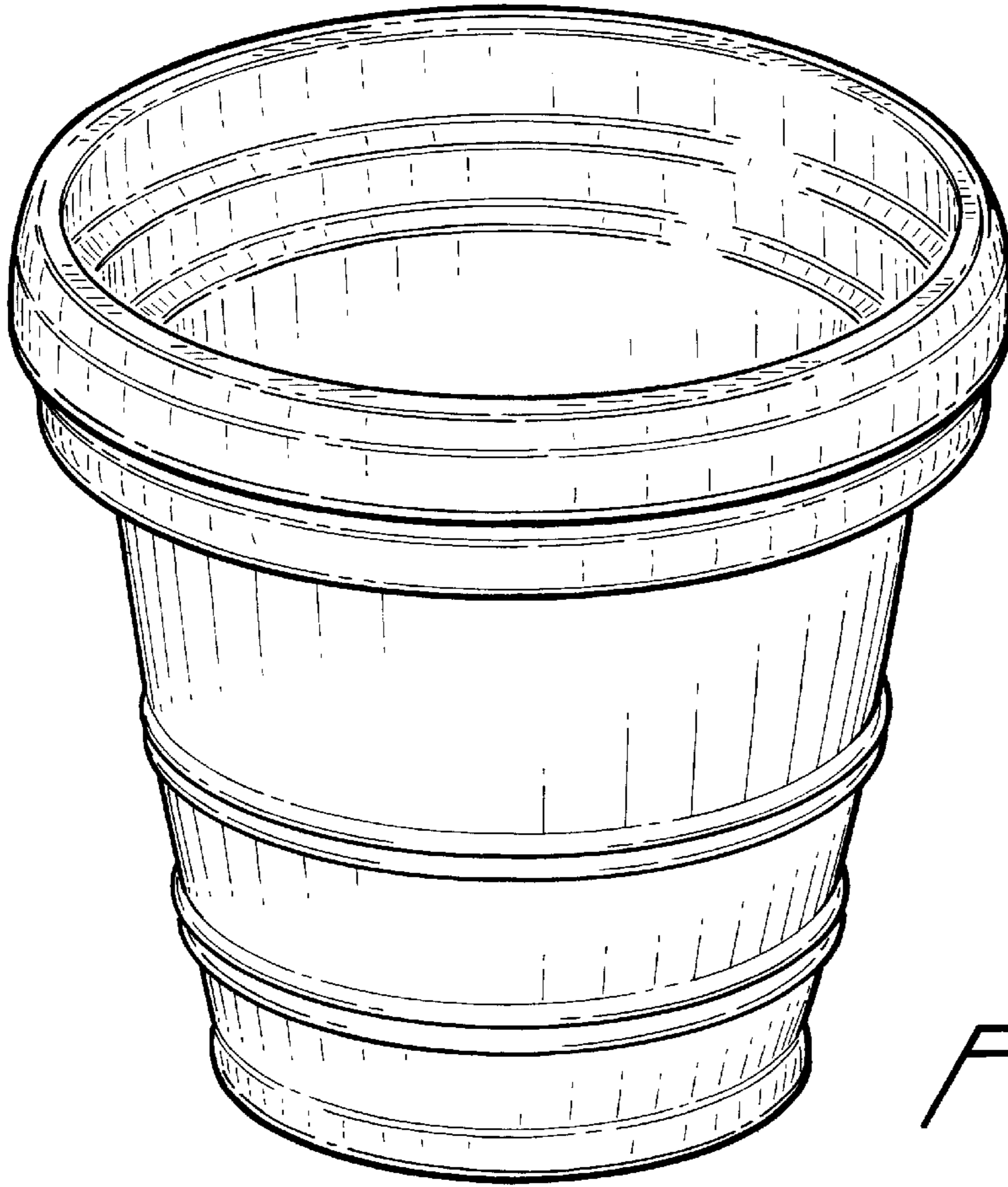


FIG. 1

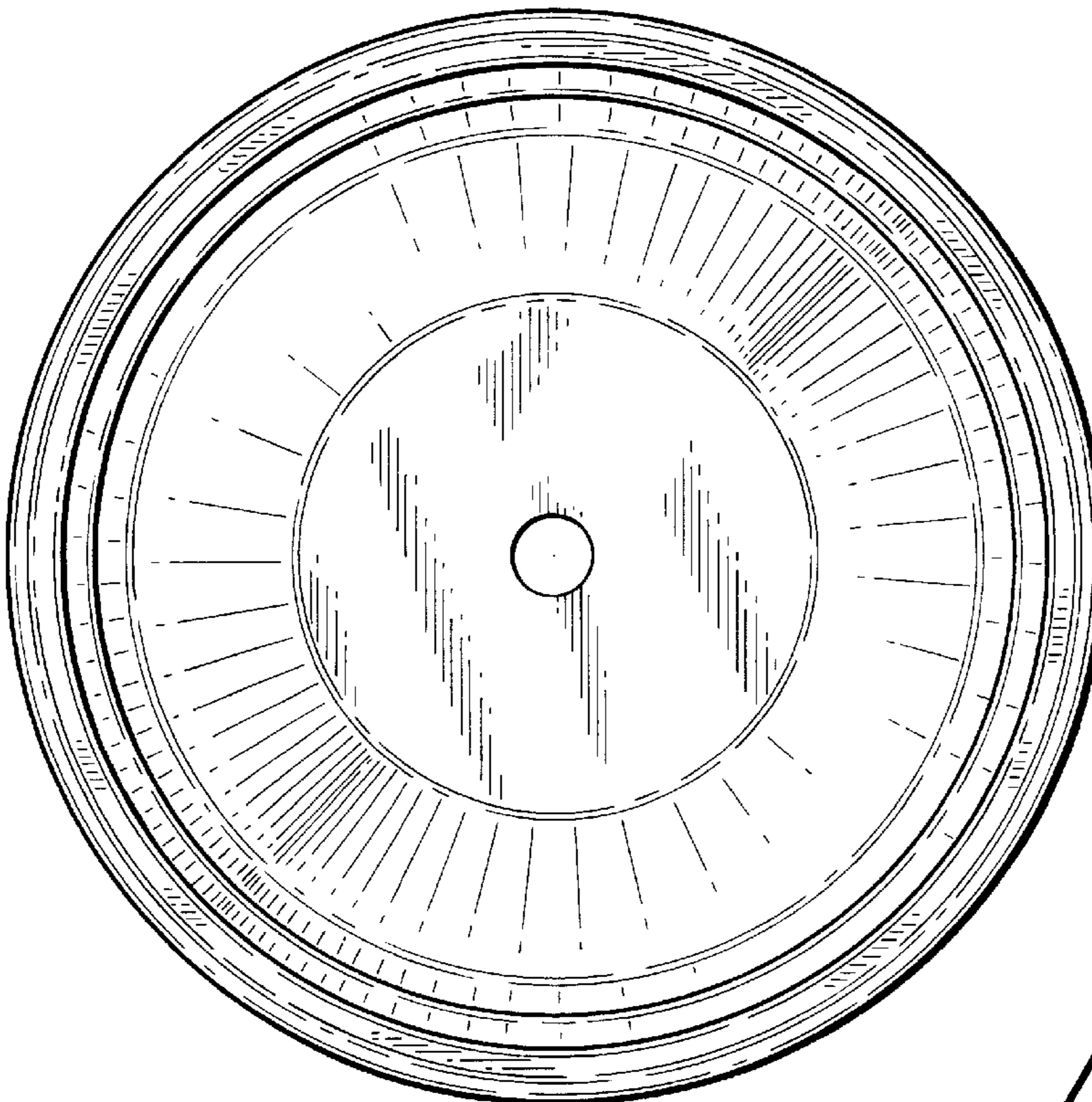


FIG. 2

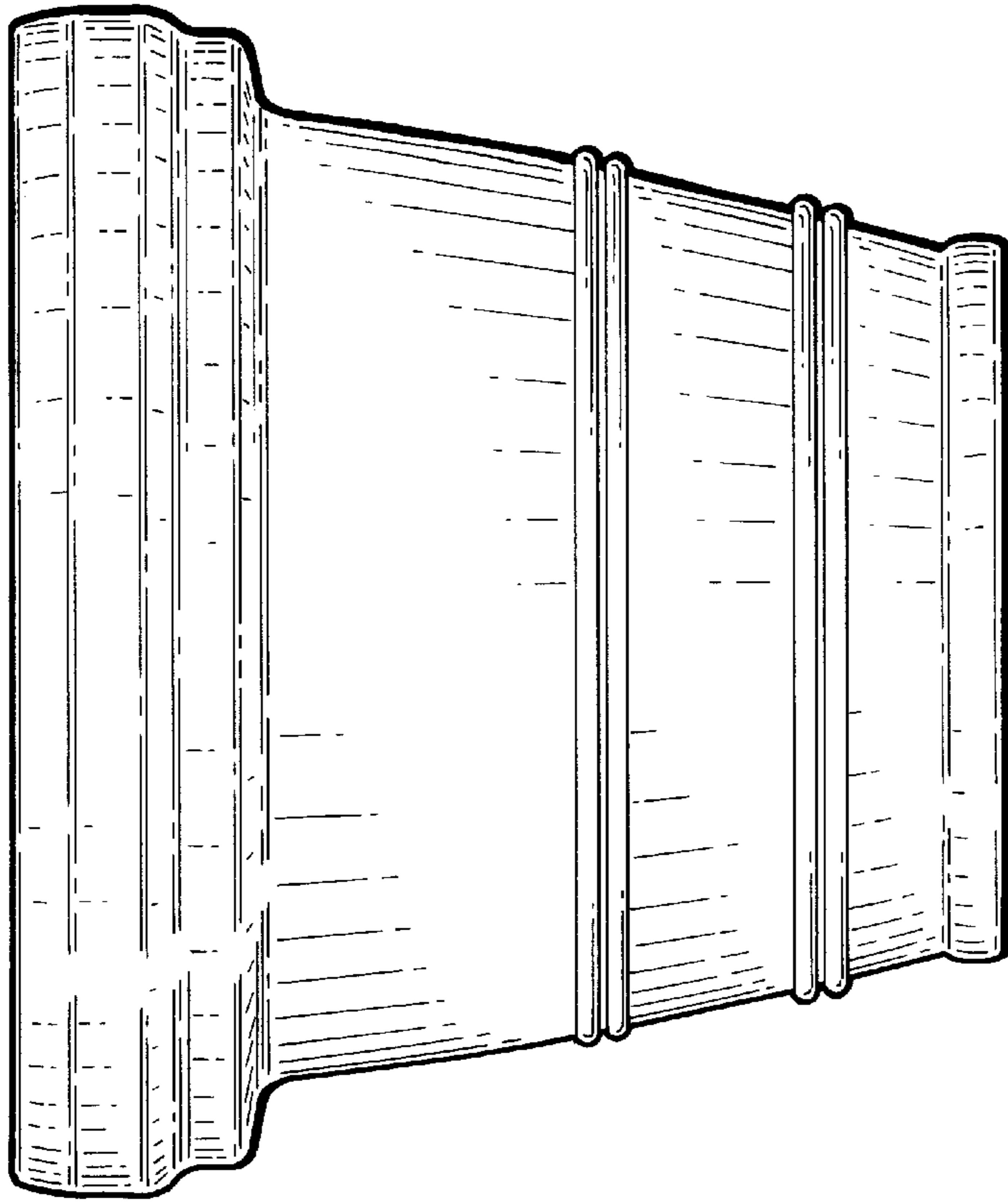


FIG. 4

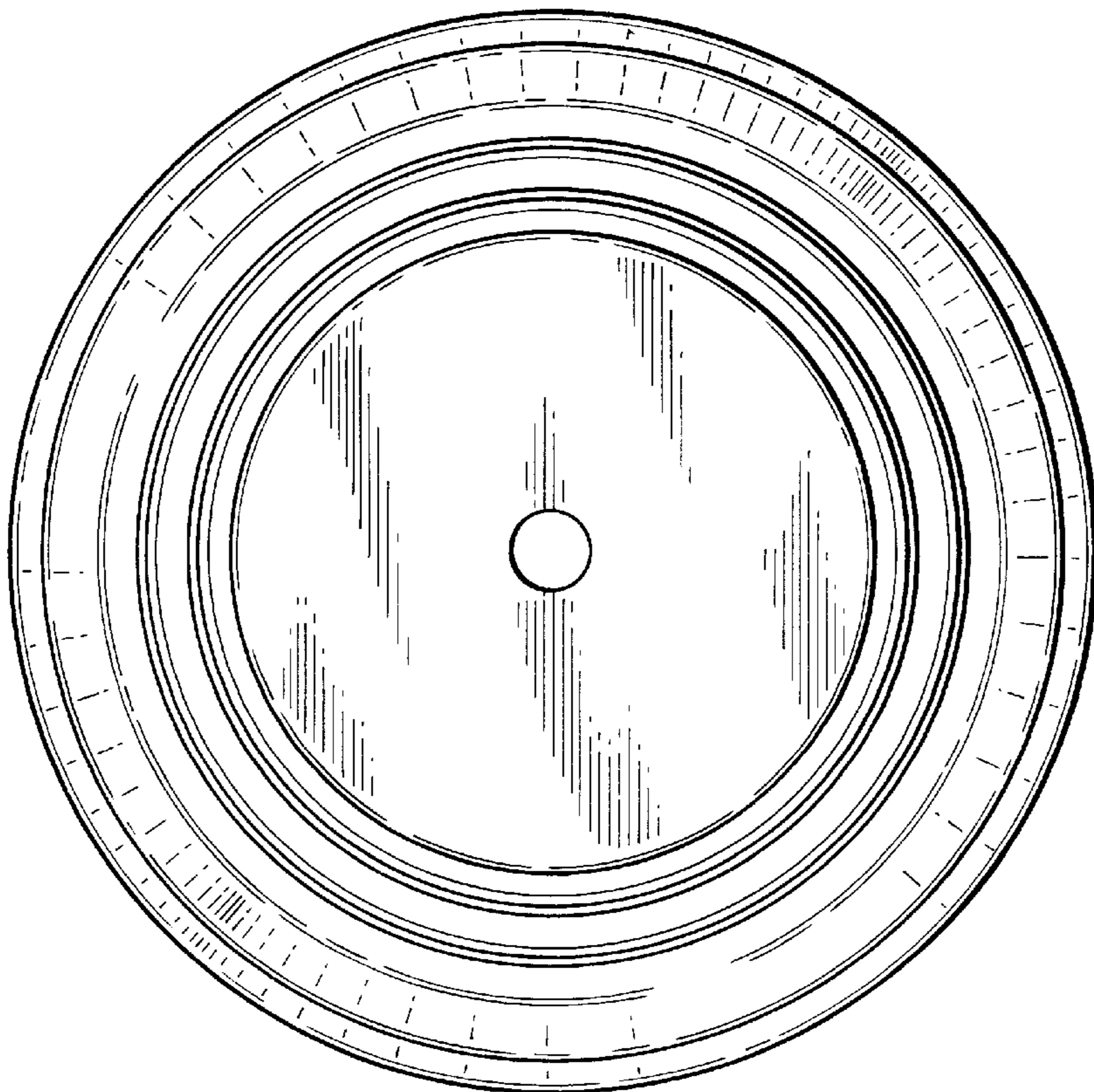


FIG. 3