



US00D398556S

United States Patent [19]

[11] **Patent Number: Des. 398,556**

Johnson et al.

[45] **Date of Patent: **Sep. 22, 1998**

[54] **BUBBLING DISPLAY**

[76] Inventors: **John C. Johnson; George S. Johnson,**
both of 4064 Heurfano Ave., #163, San
Diego, Calif. 92117

[**] Term: **14 Years**

[21] Appl. No.: **74,127**

[22] Filed: **Jul. 25, 1997**

[51] **LOC (6) Cl. 11-02**

[52] **U.S. Cl. D11/131; D11/157**

[58] **Field of Search D11/117, 131,**
D11/157; D21/12, 61; D26/93; D30/101;
40/406-407; 446/267; 428/13

[56] **References Cited**

U.S. PATENT DOCUMENTS

D. 248,632	7/1978	Gillespie et al.	D11/131
D. 348,535	7/1994	Burnett	D30/101 X
D. 360,660	7/1995	Lee	D21/12
2,589,757	3/1952	Williams	446/267
3,499,238	3/1970	Publicker	40/406

3,531,635	9/1970	Hancock	40/407 X
4,208,848	6/1980	Kohl	40/406 X
4,939,859	7/1990	Bradt	40/407
5,349,771	9/1994	Burnett	40/406

Primary Examiner—Dominic Simone
Attorney, Agent, or Firm—Gary L. Eastman, Esq.

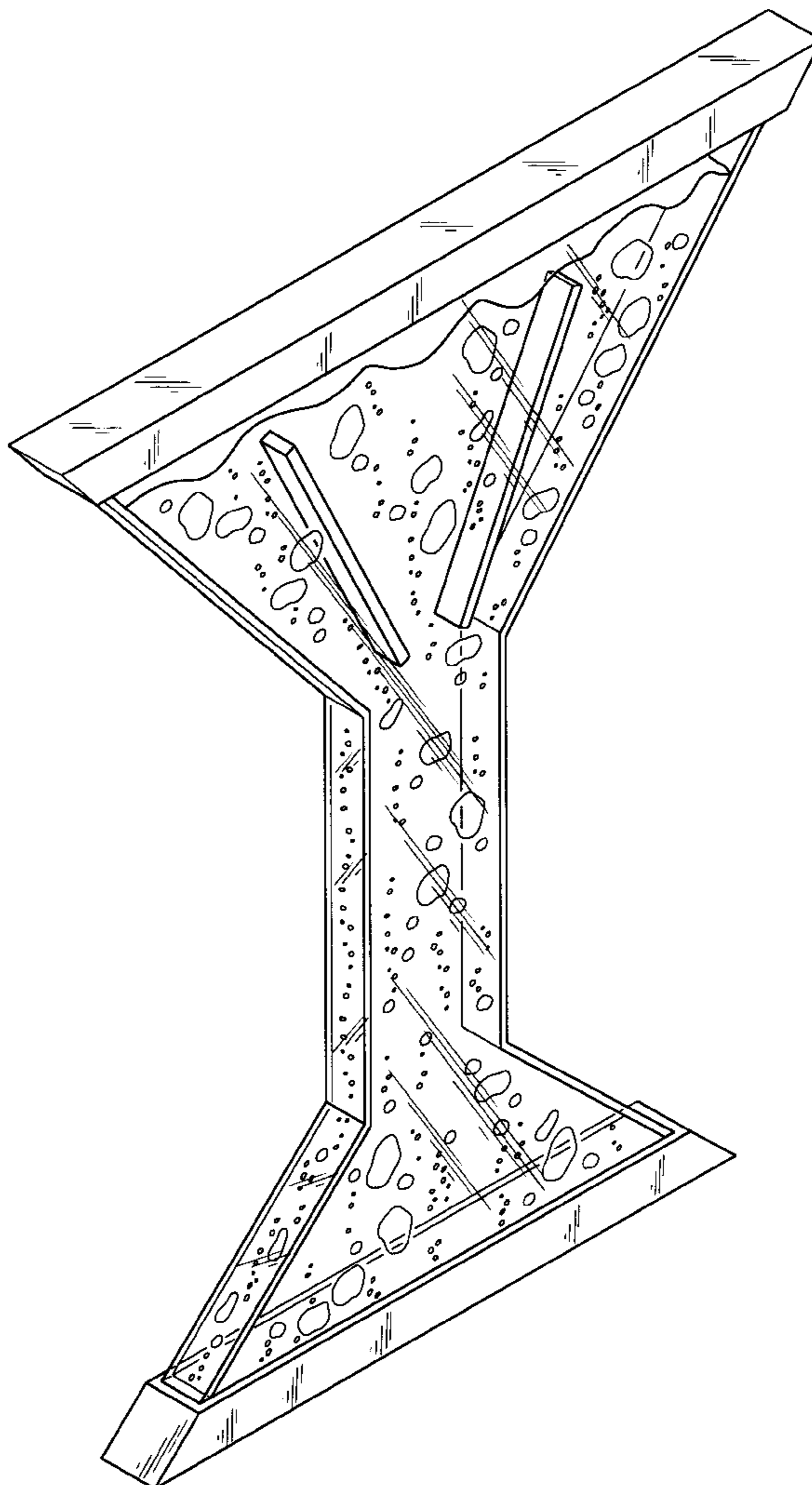
[57] **CLAIM**

The ornamental design for a bubbling display, as shown and described.

DESCRIPTION

FIG. 1 is a perspective view of a bubbling display showing our new design;
FIG. 2 is a front view thereof;
FIG. 3 is a left side view thereof;
FIG. 4 is a right side view thereof;
FIG. 5 is a top plan view thereof; and,
FIG. 6 is a bottom plan view thereof.
The rear view of the bubbling display is a mirror image of FIG. 2.

1 Claim, 3 Drawing Sheets



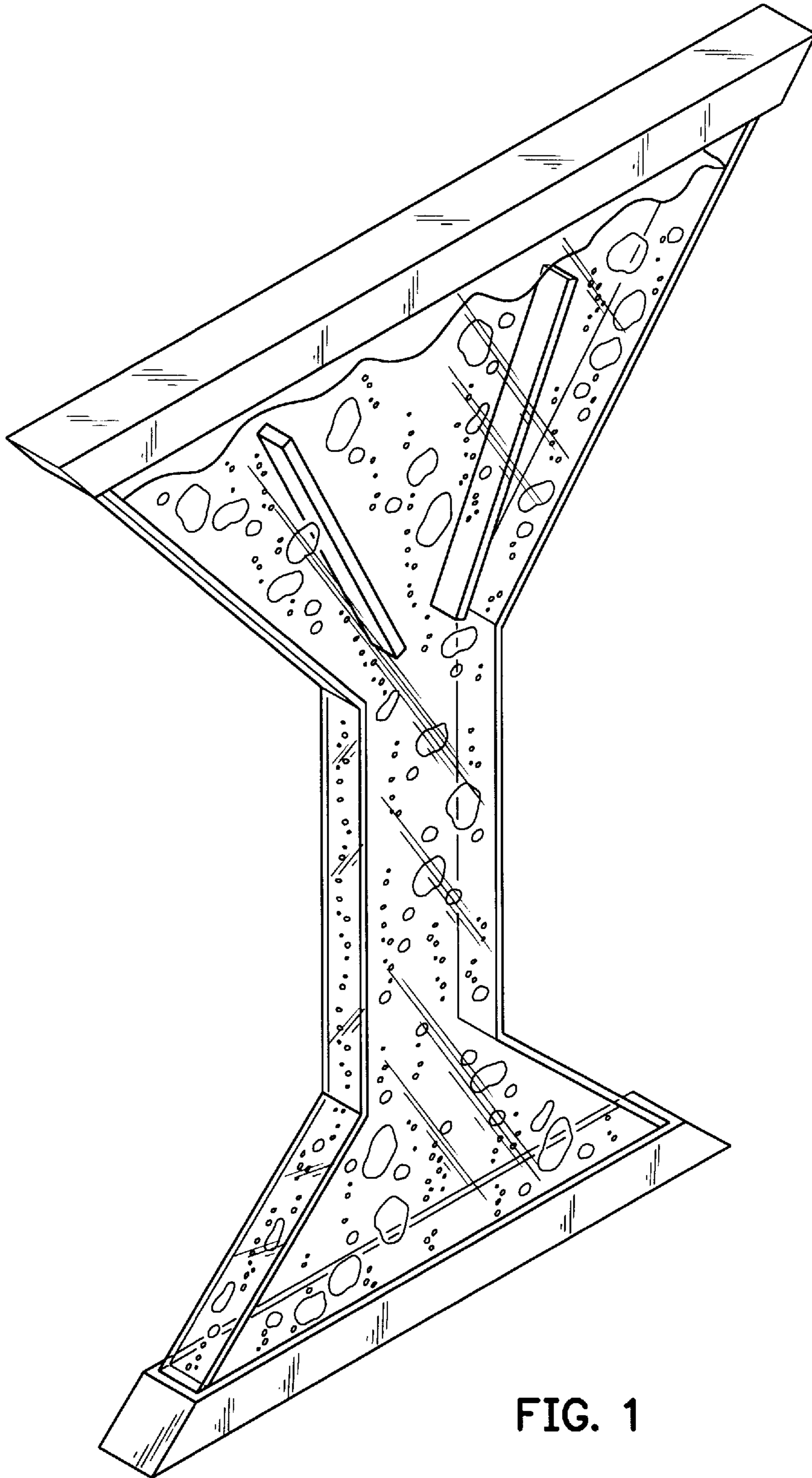


FIG. 1

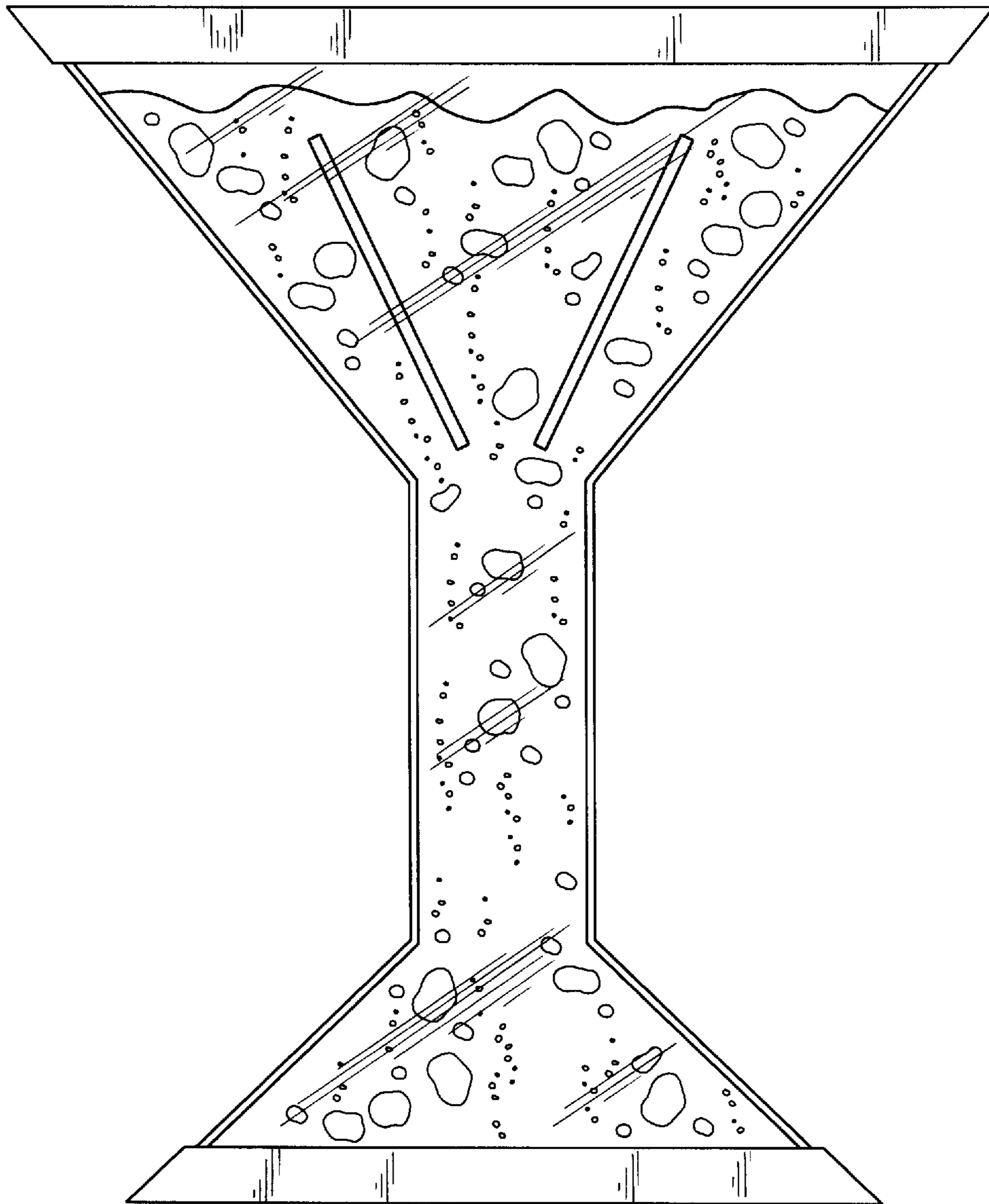


FIG. 2

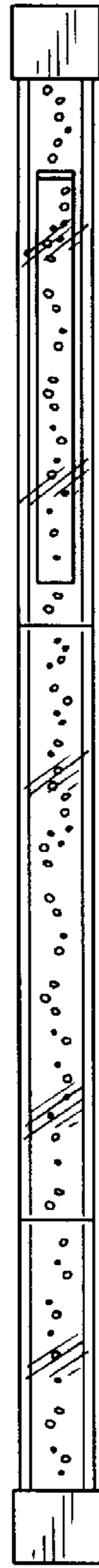


FIG. 3

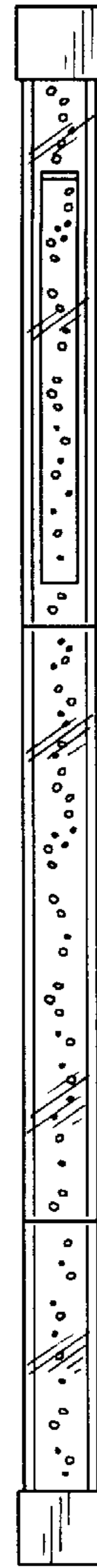


FIG. 4

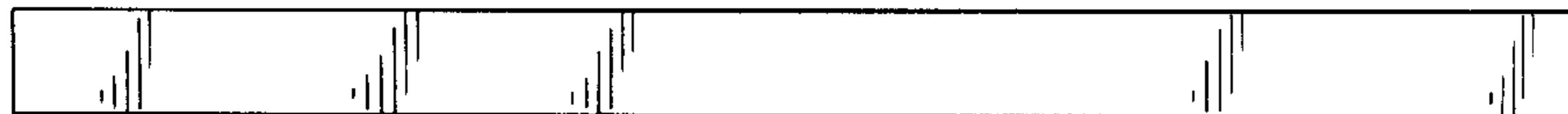


FIG. 5



FIG. 6