



US00D398554S

United States Patent [19]

[11] Patent Number: Des. 398,554

Johnson et al.

[45] Date of Patent: **Sep. 22, 1998

[54] BUBBLING DISPLAY

[76] Inventors: **John C. Johnson; George S. Johnson,**
both of 4064 Heurfano Ave., #163, San
Diego, Calif. 92117

[**] Term: **14 Years**

4,686,784 8/1987 Smithies .
4,939,859 7/1990 Brant .
5,018,288 5/1991 Yang .
5,106,660 4/1992 Vorel .
5,167,993 12/1992 Aoyagi .
5,340,024 8/1994 Fuller .
5,349,771 9/1994 Burnett .
5,416,994 5/1995 McLaughlin .

[21] Appl. No.: **74,124**

[22] Filed: **Jul. 24, 1997**

[51] LOC (6) Cl. **11-02**

[52] U.S. Cl. **D11/131**

[58] Field of Search D11/117, 131,
D11/157; D21/12, 61; D26/93; D30/101;
40/406-407; 446/267; 428/13

FOREIGN PATENT DOCUMENTS

2393385 2/1979 France .

Primary Examiner—Dominic Simone
Attorney, Agent, or Firm—Gary L. Eastman, Esq.

[56] References Cited

U.S. PATENT DOCUMENTS

D. 248,632	7/1978	Gillespie et al.	D11/131
D. 348,535	7/1994	Burnett .	
D. 360,660	7/1995	Lee	D21/12
2,589,757	3/1952	Williams	446/267
3,101,564	8/1963	Stoessel .	
3,499,238	3/1970	Publicker .	
3,531,635	9/1970	Hancock	40/407 X
3,613,264	10/1971	Vitka et al. .	
3,762,083	10/1973	Lemons et al. .	
4,190,312	2/1980	Bailey .	
4,208,848	6/1980	Kohl .	
4,352,149	9/1982	Stetler .	

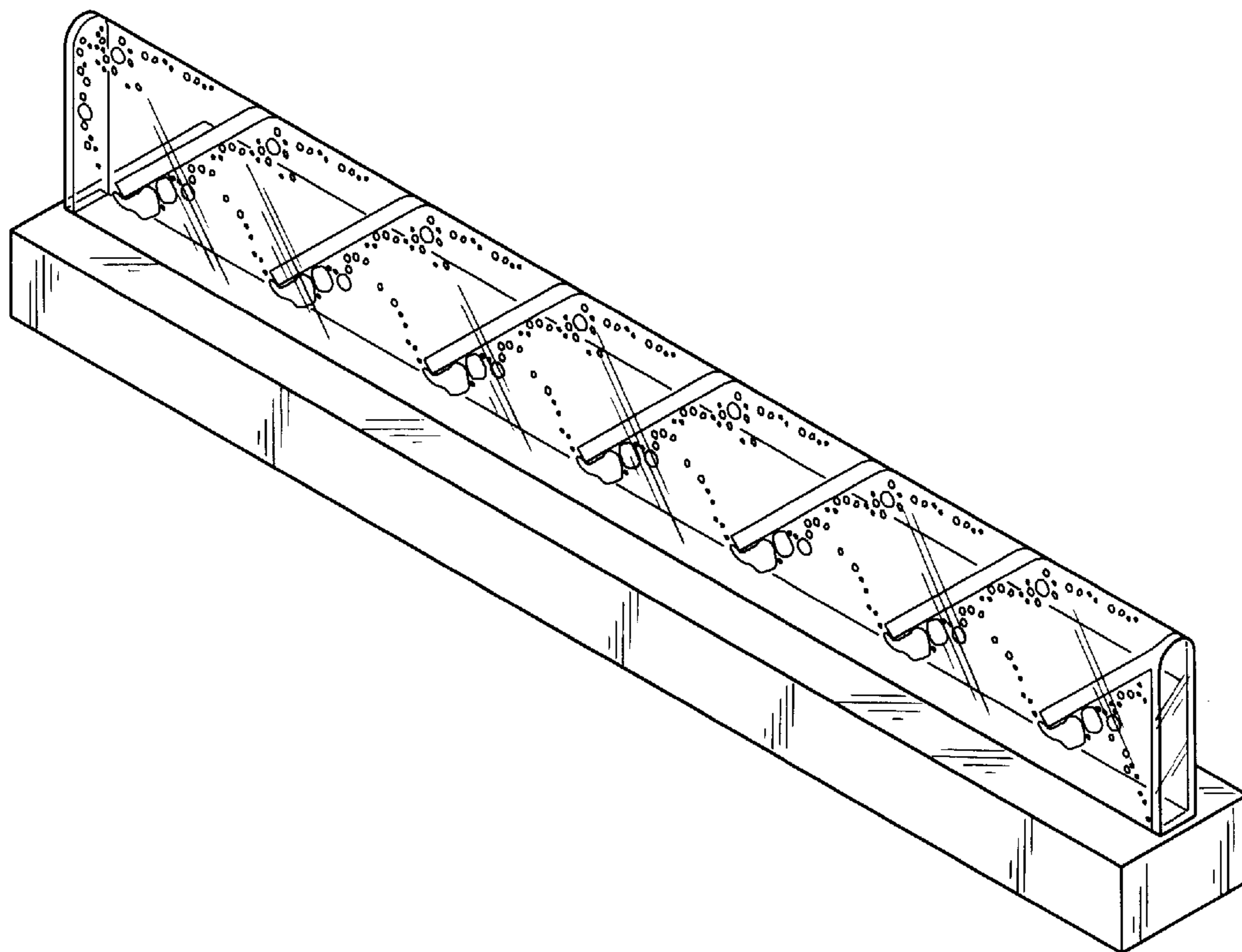
[57] CLAIM

The ornamental design for a bubbling display, as shown and described.

DESCRIPTION

FIG. 1 is a perspective view of a bubbling display showing our new design;
FIG. 2 is a front view thereof;
FIG. 3 is a right side view thereof;
FIG. 4 is a left side view thereof;
FIG. 5 is a top plan view thereof; and,
FIG. 6 is a bottom plan view thereof.
The rear view of the bubbling display is a mirror image of FIG. 2.

1 Claim, 3 Drawing Sheets



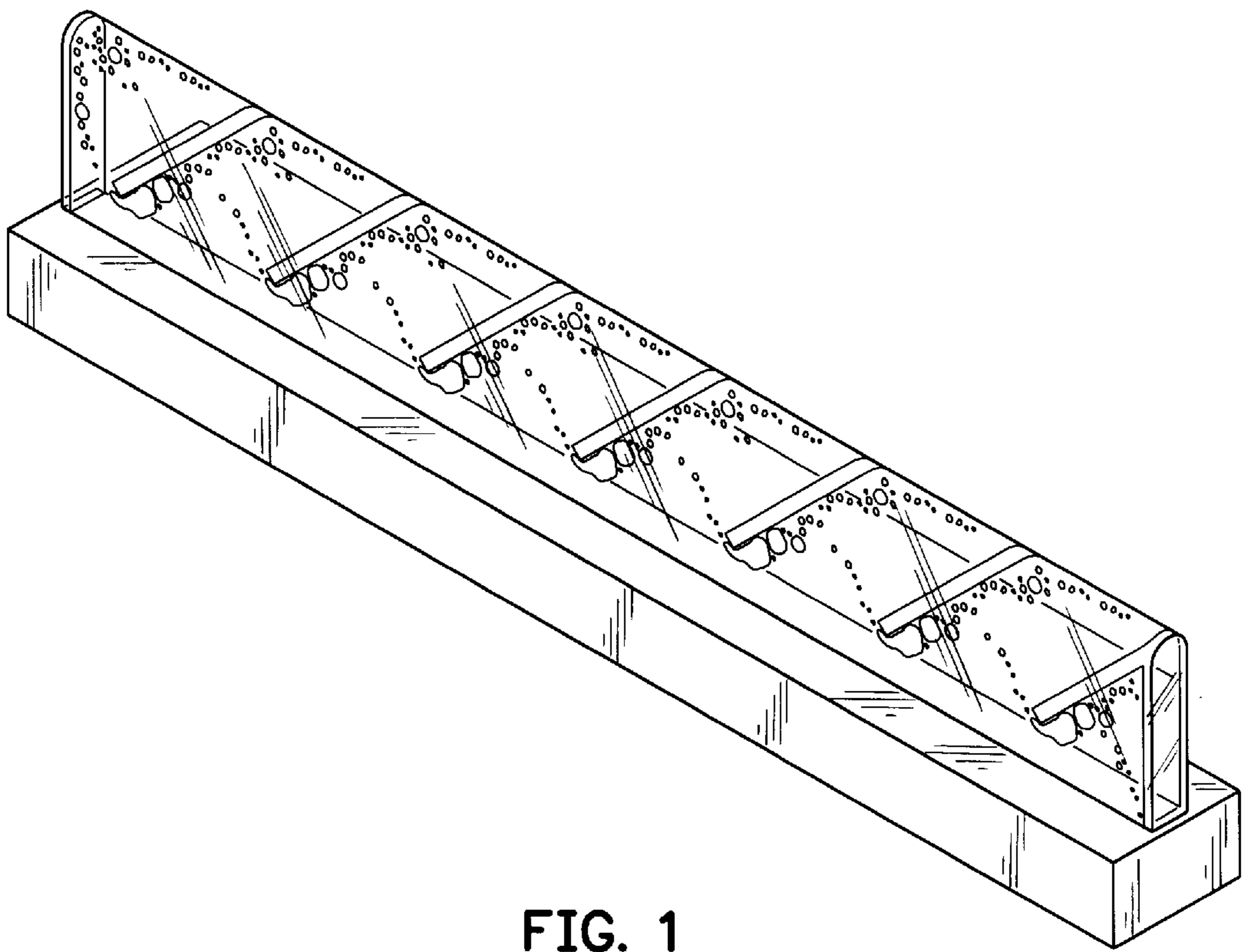


FIG. 1

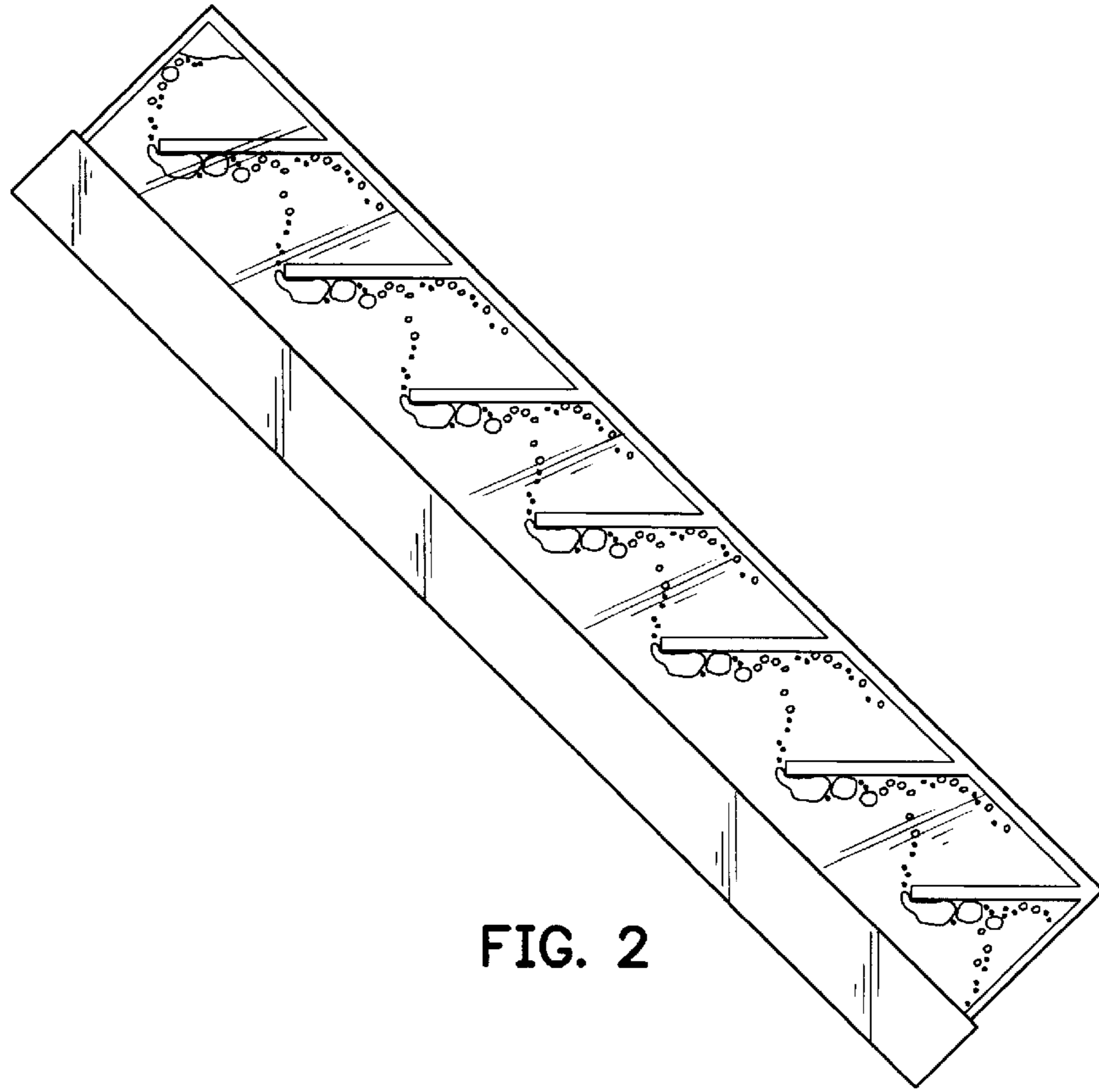


FIG. 2

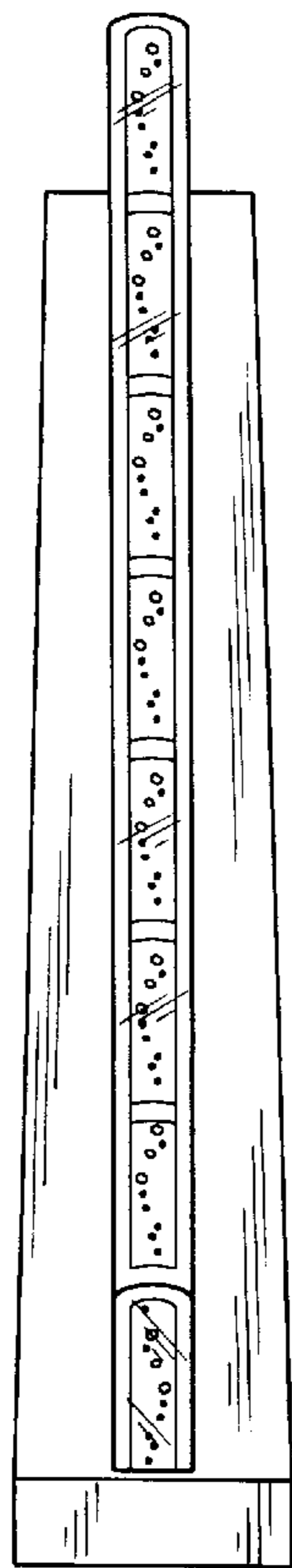


FIG. 3



FIG. 4

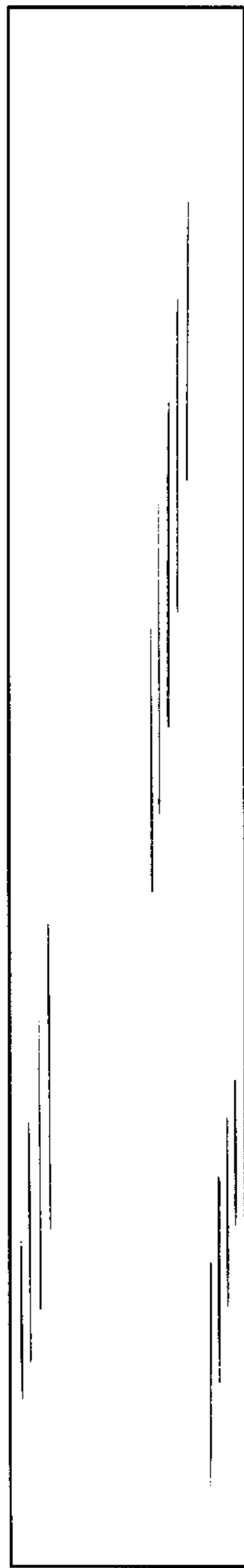


FIG. 5

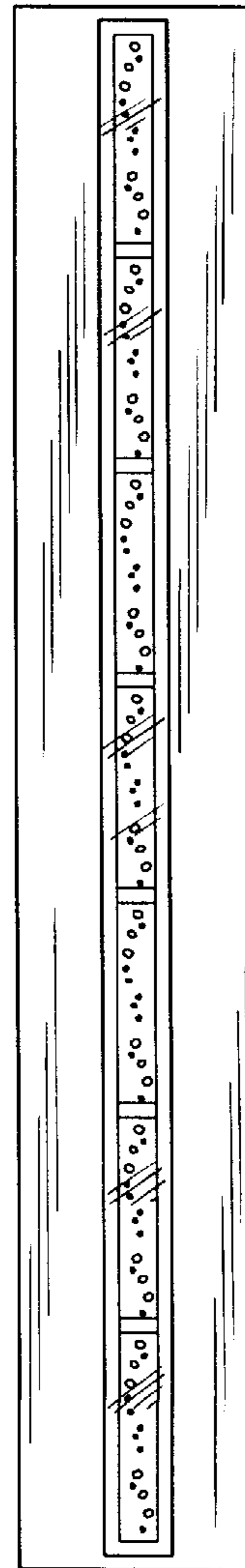


FIG. 6