



US00D398549S

# United States Patent [19]

Kung et al.

[11] Patent Number: **Des. 398,549**

[45] Date of Patent: **\*\*Sep. 22, 1998**

[54] **FOUR-PAN ALGEBRA BALANCE**

[75] Inventors: **George Kung**, Stevens Point; **Ken Vicchiollo**, Berlin, both of Wis.

[73] Assignee: **Cuisenaire Company of America, Inc.**, White Plains, N.Y.

[\*\*] Term: **14 Years**

[21] Appl. No.: **75,016**

[22] Filed: **Aug. 11, 1997**

[51] **LOC (6) Cl.** ..... **10-04**

[52] **U.S. Cl.** ..... **D10/90**

[58] **Field of Search** ..... D10/90; 177/190-198, 177/262, 263; 434/194, 188, 191, 187

### [56] **References Cited**

#### U.S. PATENT DOCUMENTS

- D. 155,162 9/1949 Jensen ..... D10/90
- 784,145 3/1905 Donecker .

- 3,000,114 9/1961 Orlov .
- 3,721,019 3/1973 Befferman ..... 35/1
- 3,742,619 7/1973 Jenks ..... 35/30
- 4,713,009 12/1987 Borenson ..... 434/188
- 5,425,643 6/1995 Strickland ..... 434/195

*Primary Examiner*—Antoine Duval Davis  
*Attorney, Agent, or Firm*—Nutter, McClennen & Fish, LLP

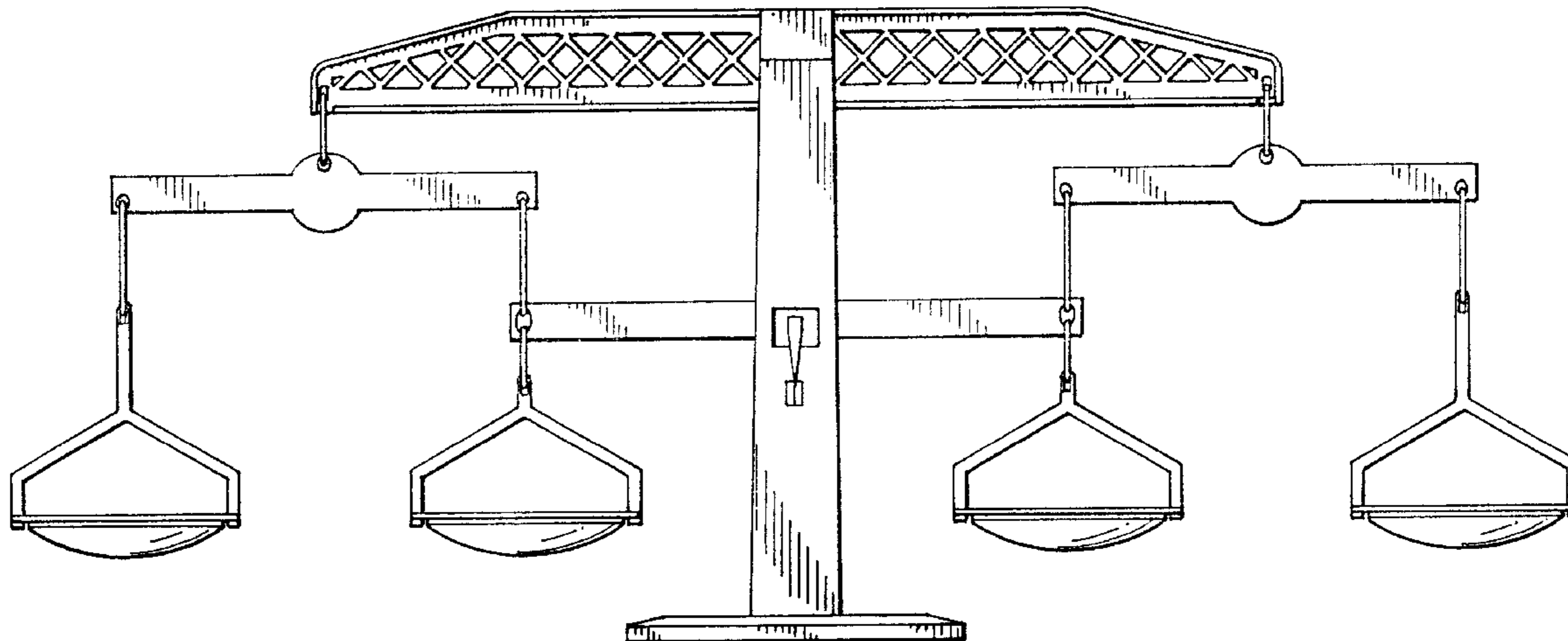
### [57] **CLAIM**

The ornamental design for a four-pan algebra balance, as shown.

### **DESCRIPTION**

FIG. 1 is a front view of a four-pan algebra balance showing my new design;  
FIG. 2 is a right side view thereof;  
FIG. 3 is a back view thereof;  
FIG. 4 is a left side view thereof;  
FIG. 5 is a top view thereof; and,  
FIG. 6 is a bottom view thereof.

**1 Claim, 3 Drawing Sheets**



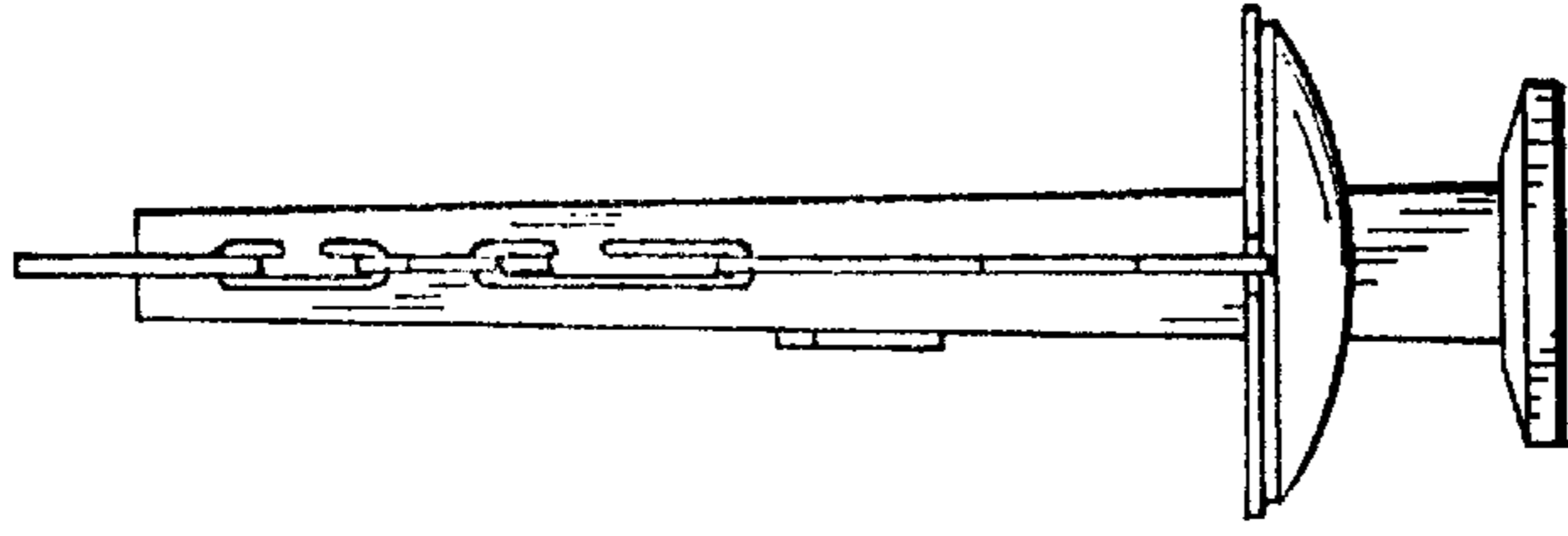


FIG. 2

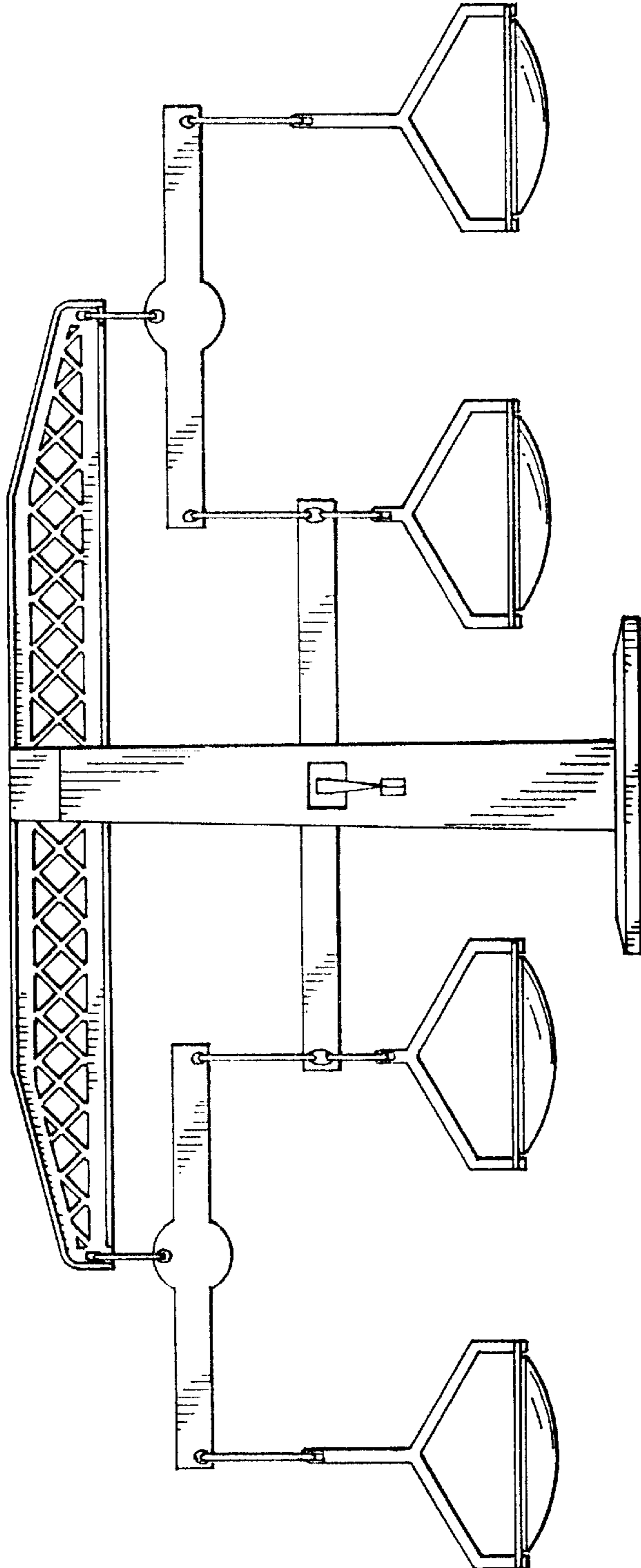


FIG. 1

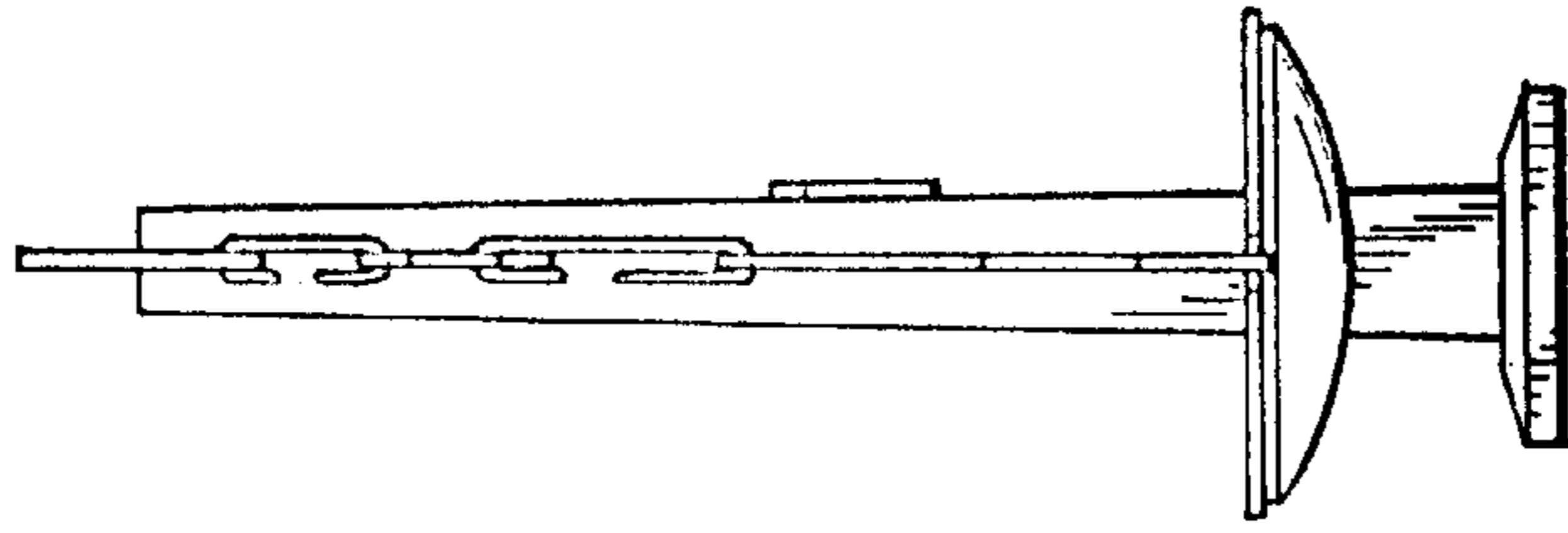


FIG. 4

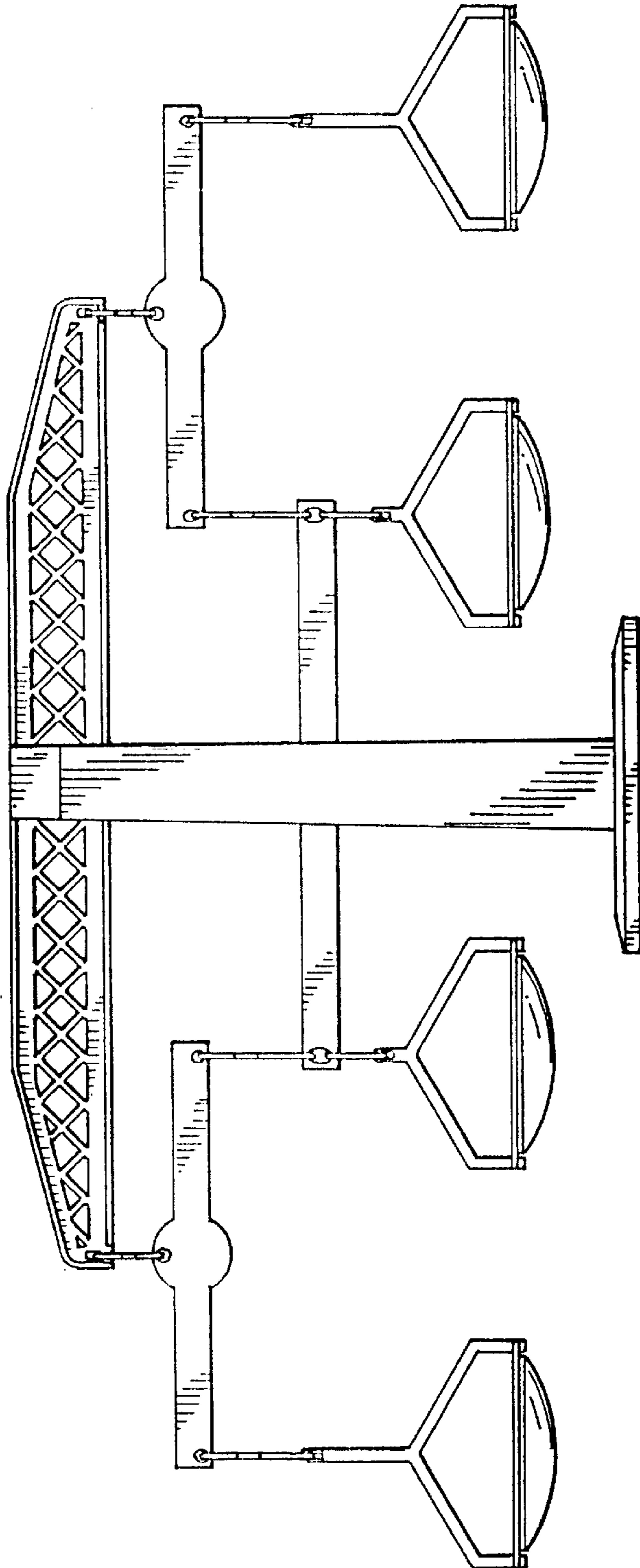


FIG. 3

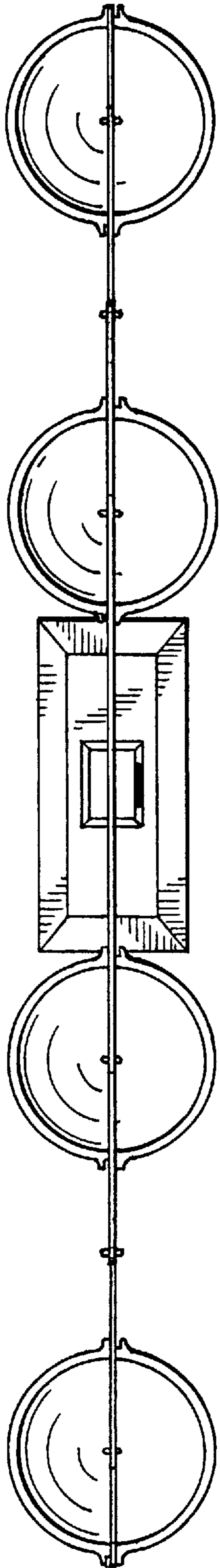


FIG. 5

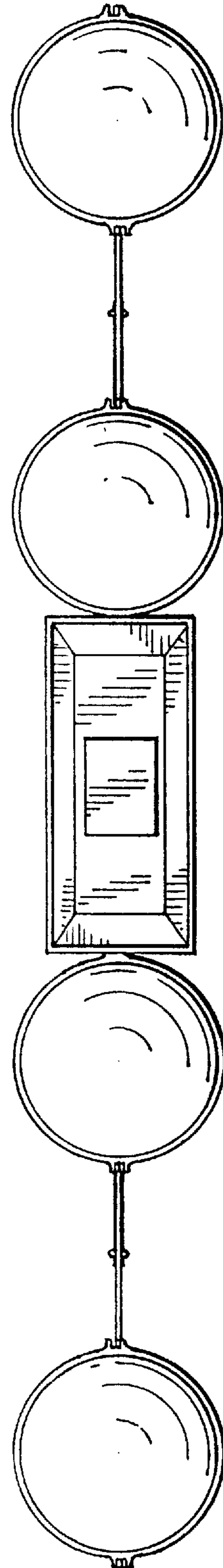


FIG. 6