



US00D398548S

United States Patent [19]

Nakazato et al.

[11] Patent Number: **Des. 398,548**

[45] Date of Patent: ****Sep. 22, 1998**

[54] **GAS SAMPLING PUMP**

[75] Inventors: **Takashi Nakazato; Takashi Komatsu,**
both of Kanagawa, Japan

[73] Assignee: **Gastec Corporation,** Kanagawa-ken,
Japan

[**] Term: **14 Years**

[21] Appl. No.: **71,316**

[22] Filed: **May 27, 1997**

[51] **LOC (6) Cl.** **10-04**

[52] **U.S. Cl.** **D10/81; D10/78**

[58] **Field of Search** D10/81, 78; 73/864.34,
73/864.35, 864.62, 864.83, 864.86, 864.84,
863.02, 863.22; 364/496; 417/401, 570,
313, 541, 552, 553

[56] **References Cited**

U.S. PATENT DOCUMENTS

D. 345,706 4/1994 Martell D10/81

D. 345,707 4/1994 Alister D10/81
4,531,895 7/1985 Zeck 417/401
5,476,017 12/1995 Pinto et al. 73/864.62
5,591,894 1/1997 Falk et al. 73/864.34 X

Primary Examiner—Antoine Duval Davis
Attorney, Agent, or Firm—Nikaido, Marmelstein, Murray &
Oram LLP

[57] **CLAIM**

The ornamental design for a gas sampling pump, as shown and described.

DESCRIPTION

FIG. 1 is a perspective view of the gas sampling pump showing my new design; FIG. 2 is a front elevational view thereof; FIG. 3 is a top plan view thereof; FIG. 4 is a left side elevational view thereof; FIG. 5 is a right side elevational view thereof; FIG. 6 is a rear elevational view thereof; and, FIG. 7 is a bottom plan view thereof.

1 Claim, 2 Drawing Sheets

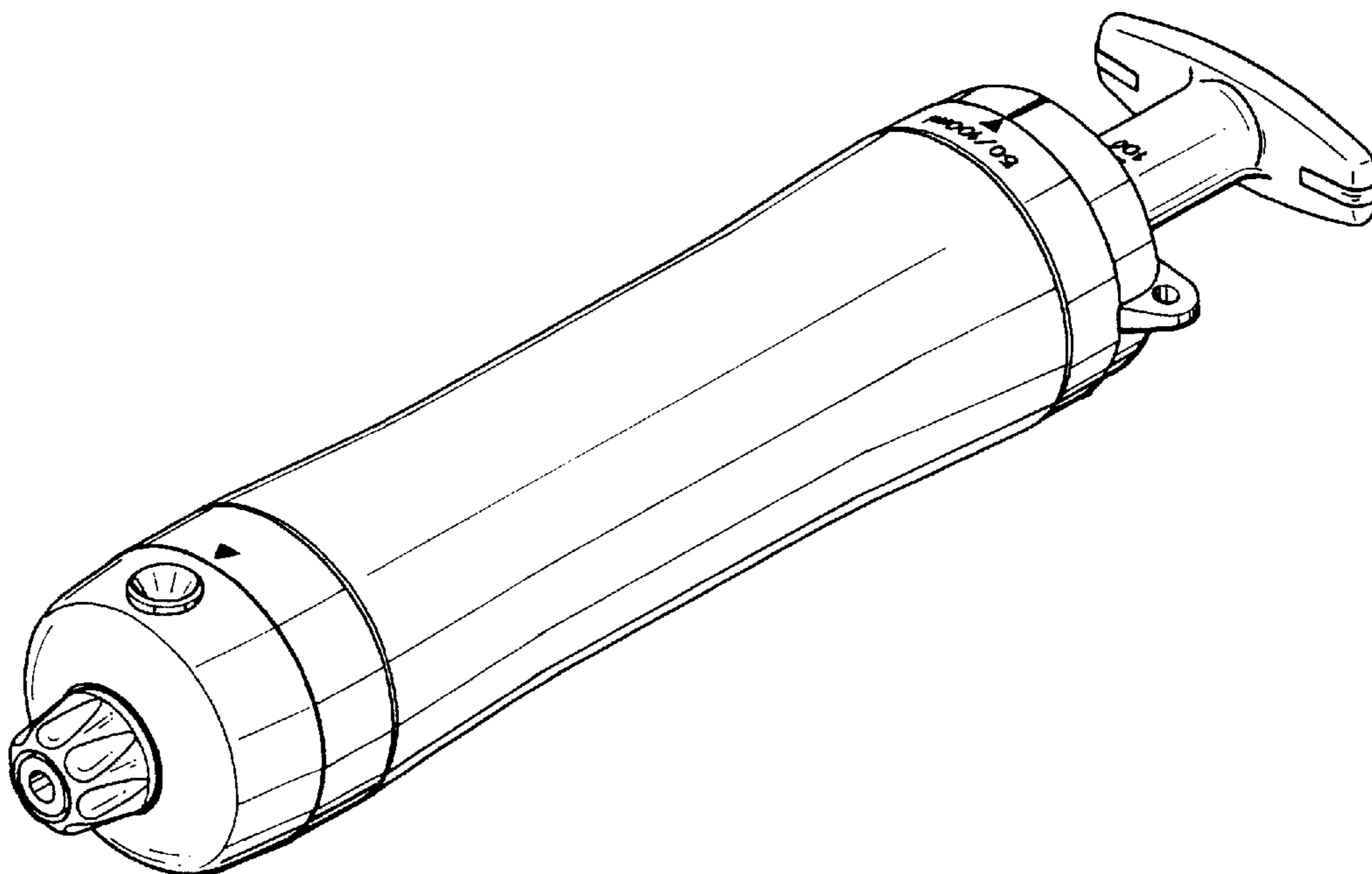


FIG. 1

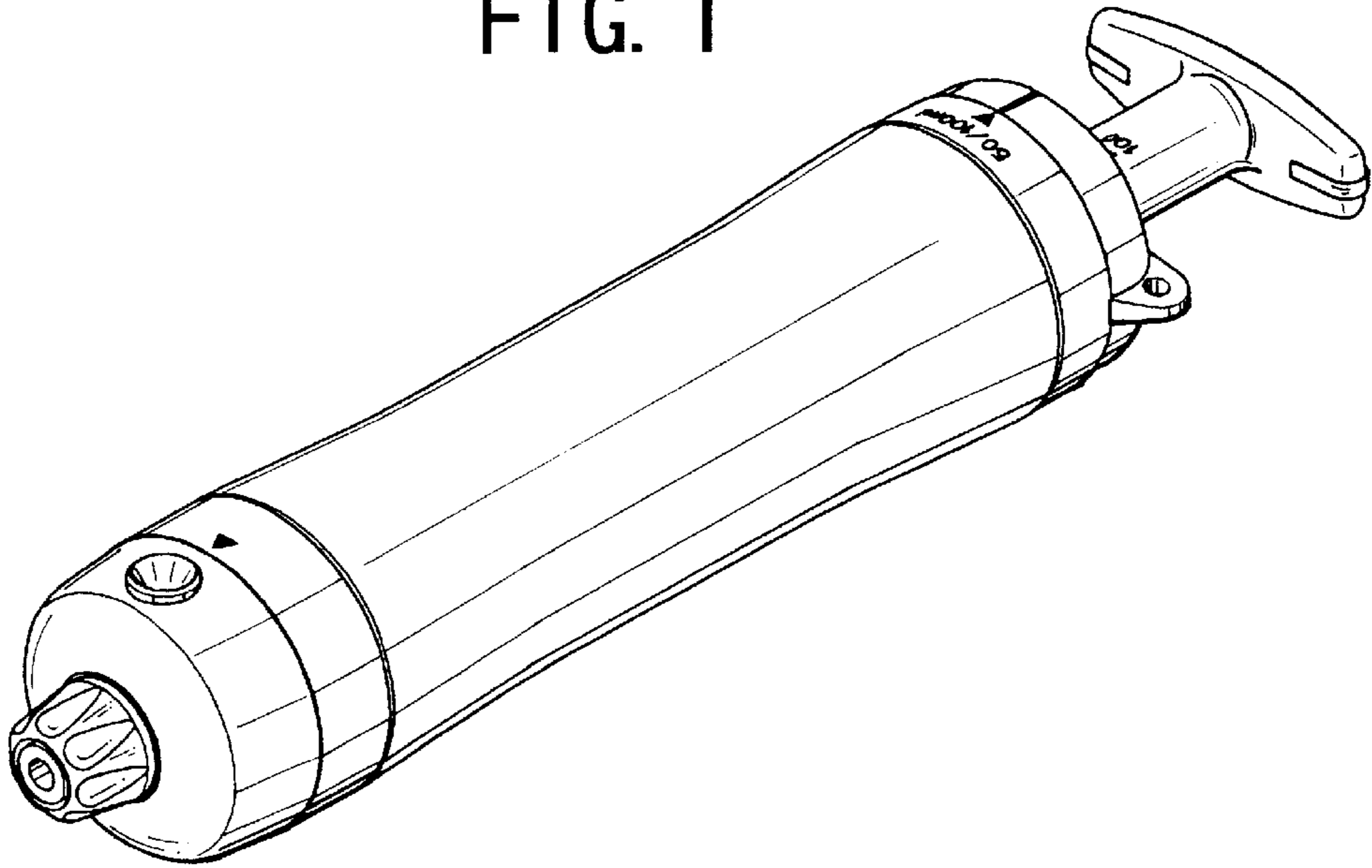


FIG. 2

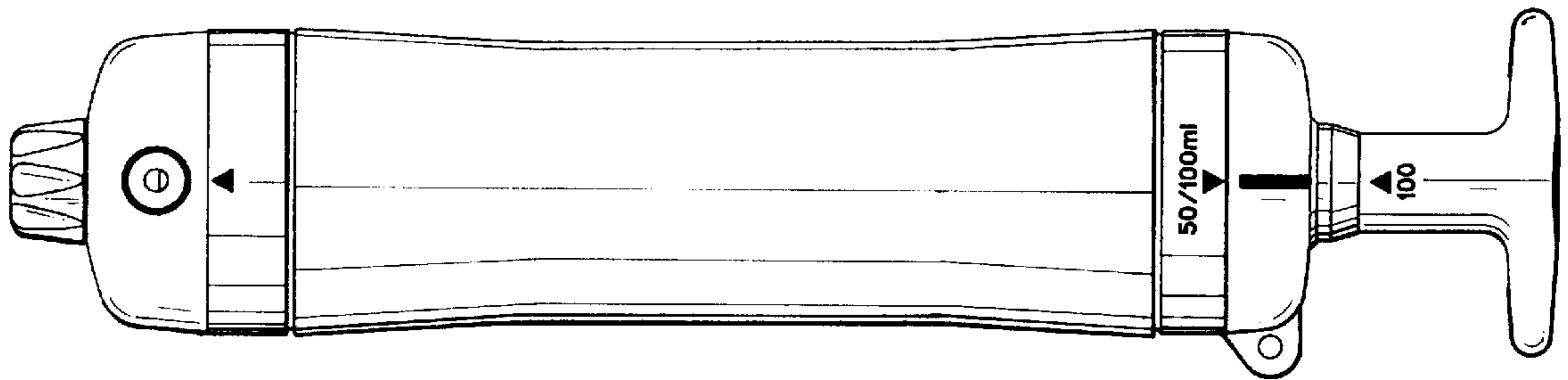


FIG. 3

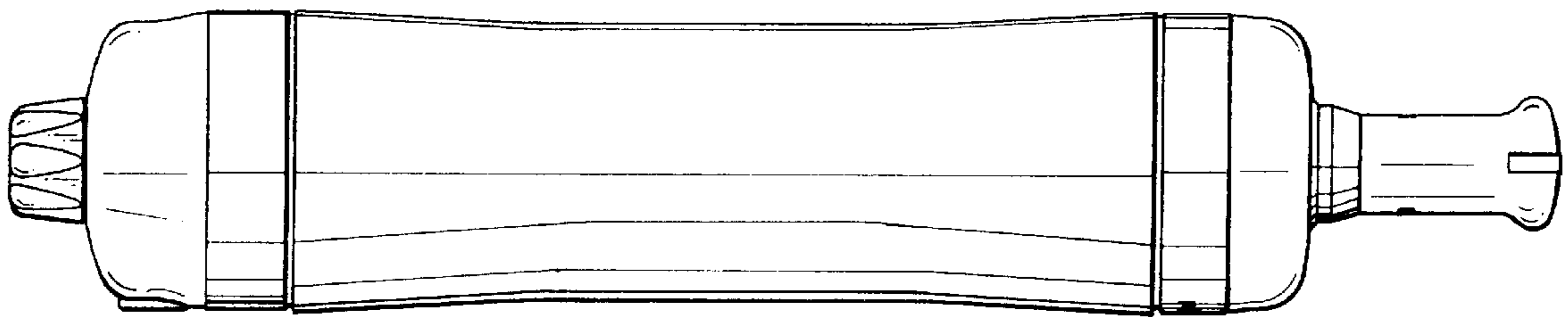


FIG. 4

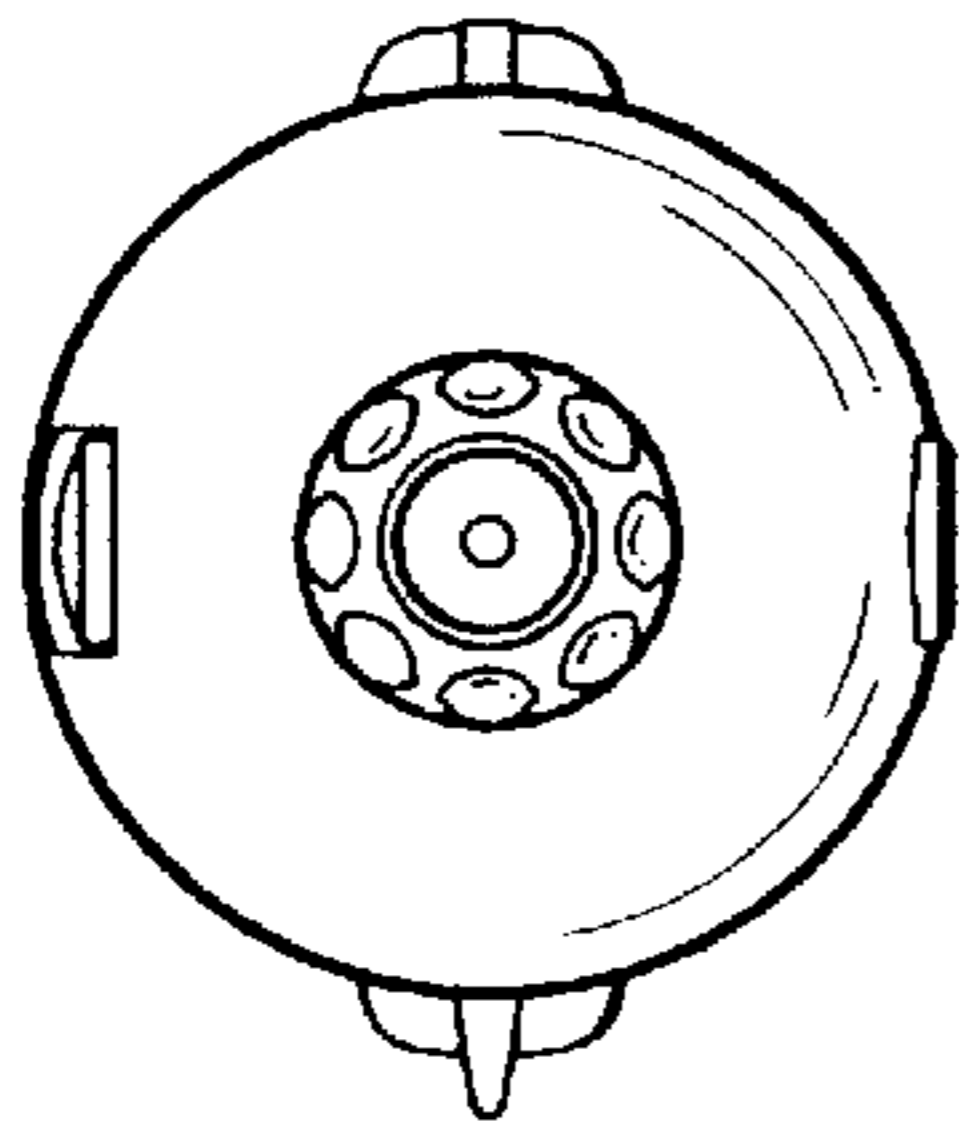


FIG. 5

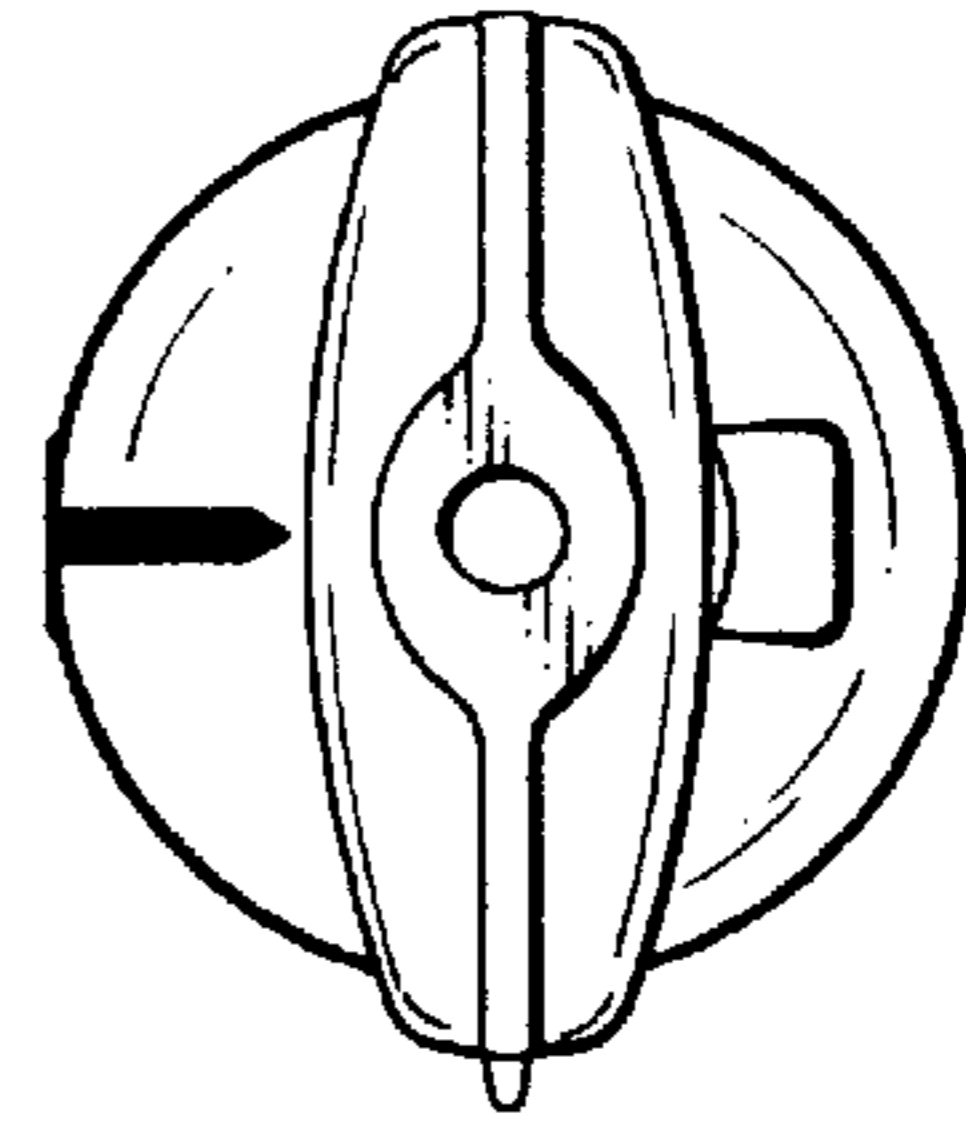


FIG. 6

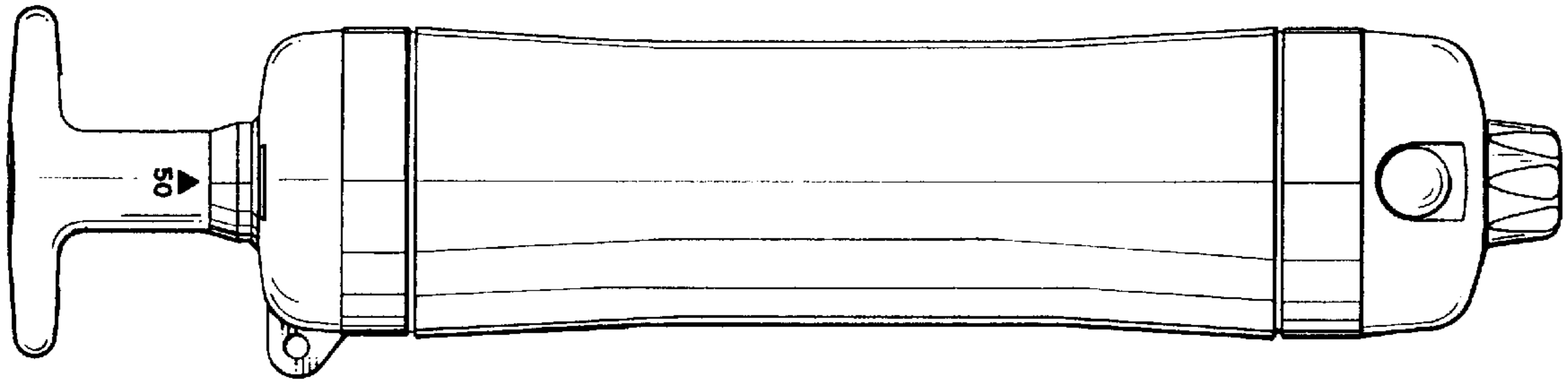


FIG. 7

