



US00D398546S

United States Patent [19]

Nishimura et al.

[11] **Patent Number: Des. 398,546**

[45] **Date of Patent: **Sep. 22, 1998**

[54] **FISH FINDER**

4,829,493 5/1989 Bailey 367/111
4,837,750 6/1989 Saunders 367/111

[75] Inventors: **Shinichiro Nishimura**, Tokyo; **Toshiro Taki**, Hachioji; **Shigeru Namaizawa**, Koganei; **Shinichi Kato**, Fuchu, all of Japan

Primary Examiner—Antoine Duval Davis
Attorney, Agent, or Firm—Frishauf, Holtz, Goodman, Langer & Chick

[73] Assignee: **Japan Radio Co., Ltd.**, Tokyo, Japan

[57] CLAIM

[**] Term: **14 Years**

The ornamental design for a fish finder, as shown.

[21] Appl. No.: **68,005**

DESCRIPTION

[22] Filed: **Mar. 14, 1997**

[30] Foreign Application Priority Data

Sep. 25, 1996 [JP] Japan 8-28512

FIG. 1 is a perspective view of a fish finder, showing our new design;

[51] **LOC (6) Cl.** **10-04**

FIG. 2 is a front view thereof;

[52] **U.S. Cl.** **D10/46**

FIG. 3 is a top view thereof;

[58] **Field of Search** D10/46; 367/99-116, 367/910

FIG. 4 is a rear view thereof;

FIG. 5 is a bottom plan view thereof;

FIG. 6 is a left side view thereof; and,

FIG. 7 is a right side view thereof.

[56] References Cited

U.S. PATENT DOCUMENTS

D. 314,346 2/1991 Spencer et al. D10/46

1 Claim, 4 Drawing Sheets

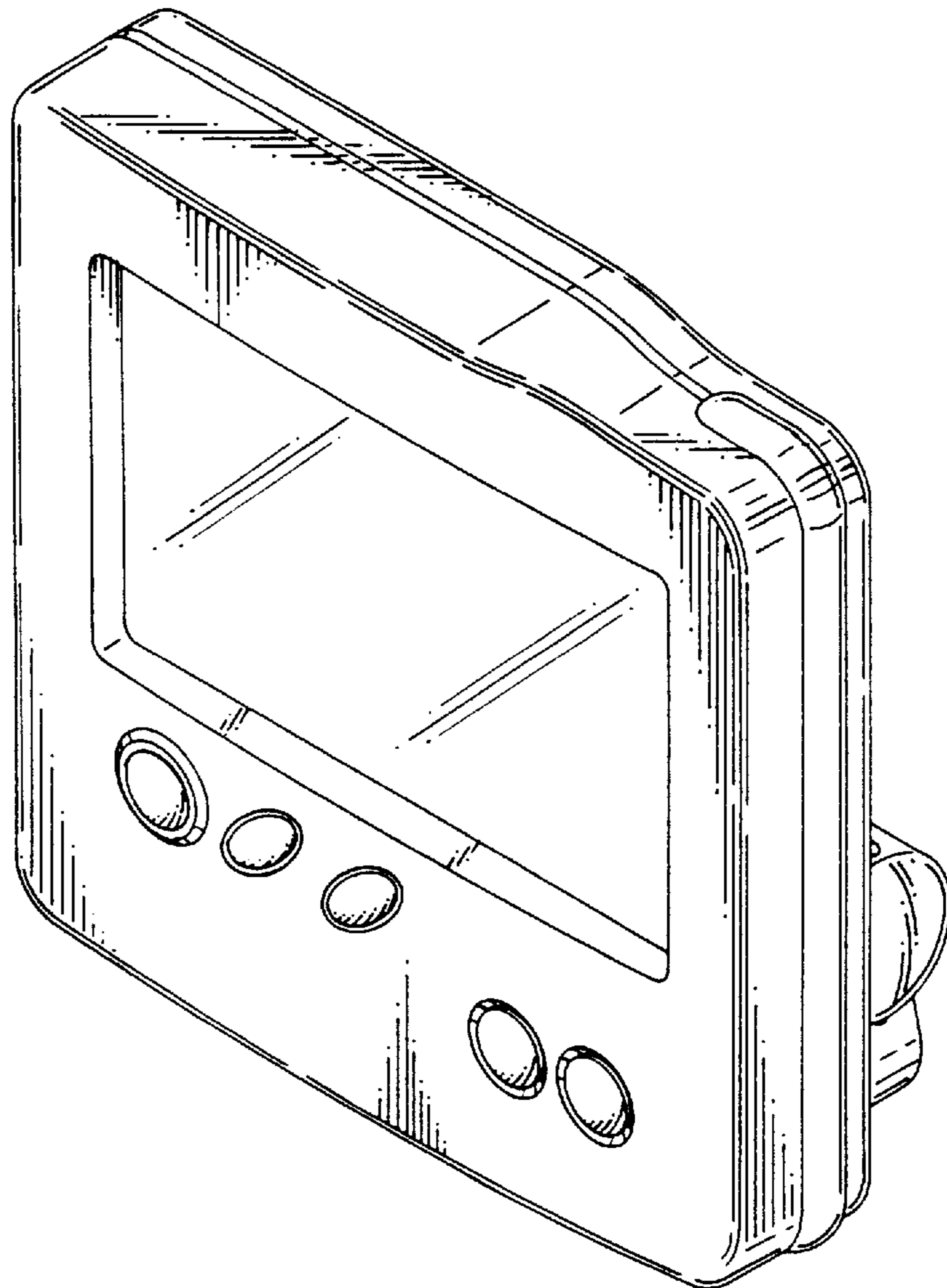


FIG. 1

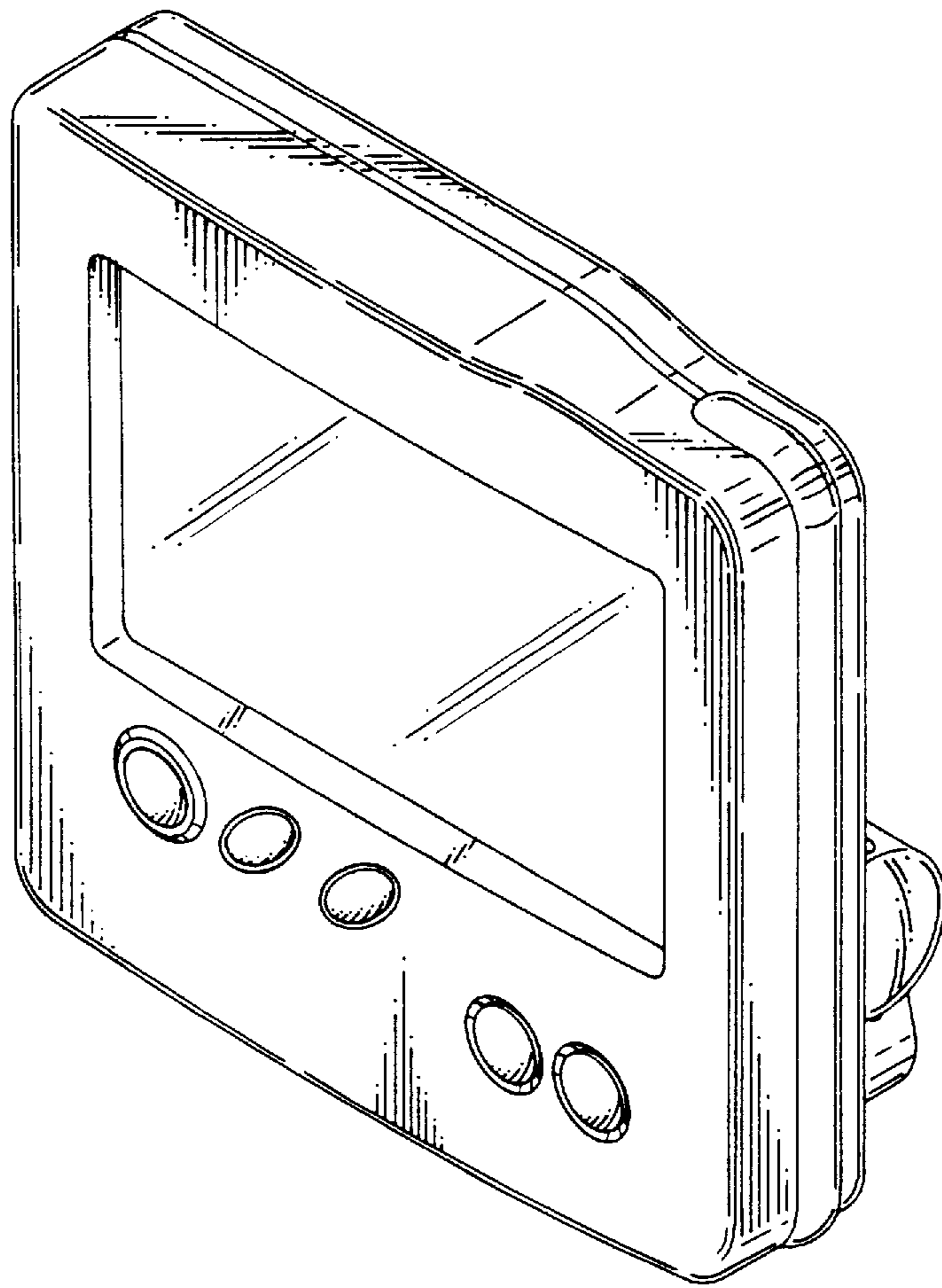


FIG. 2

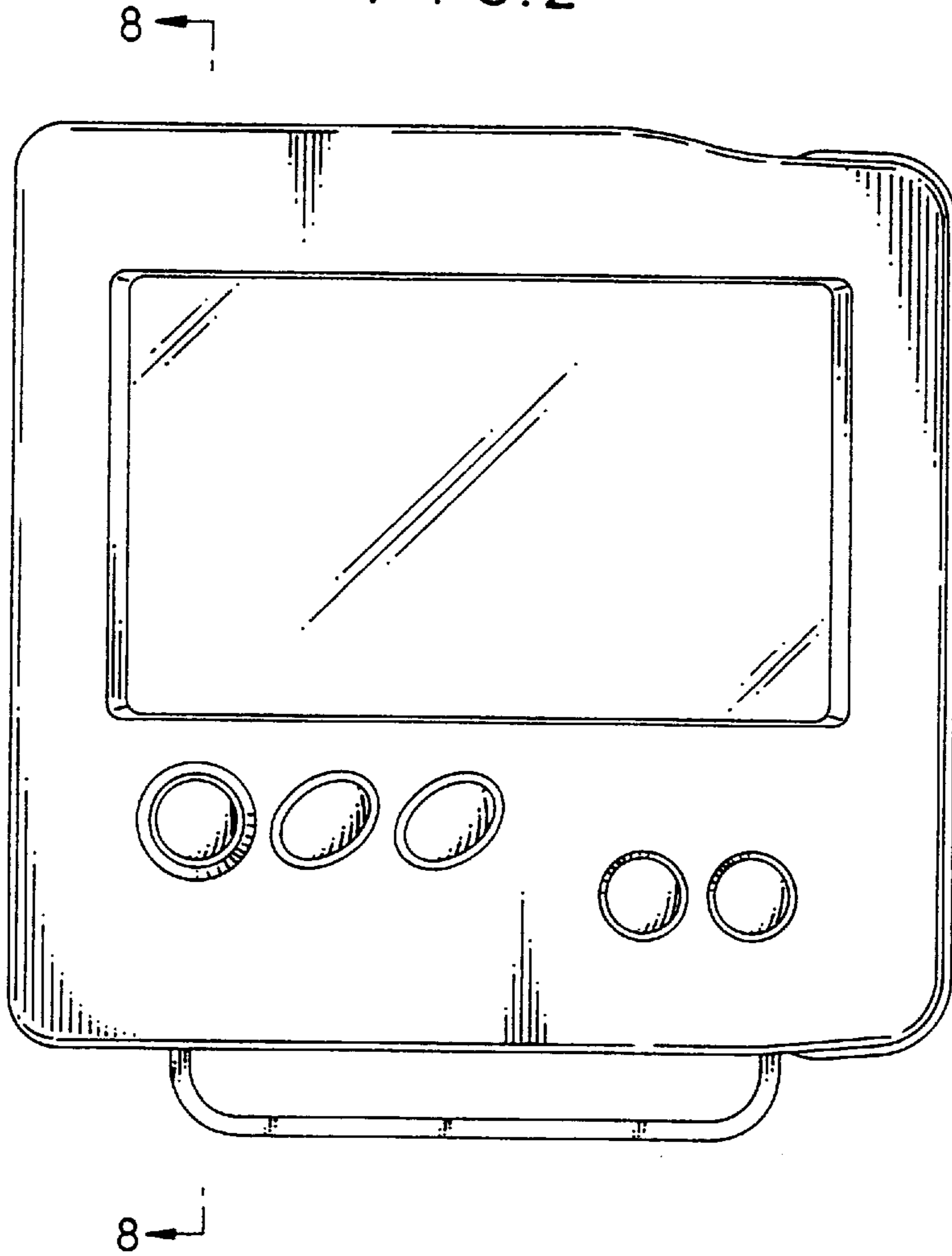


FIG. 3

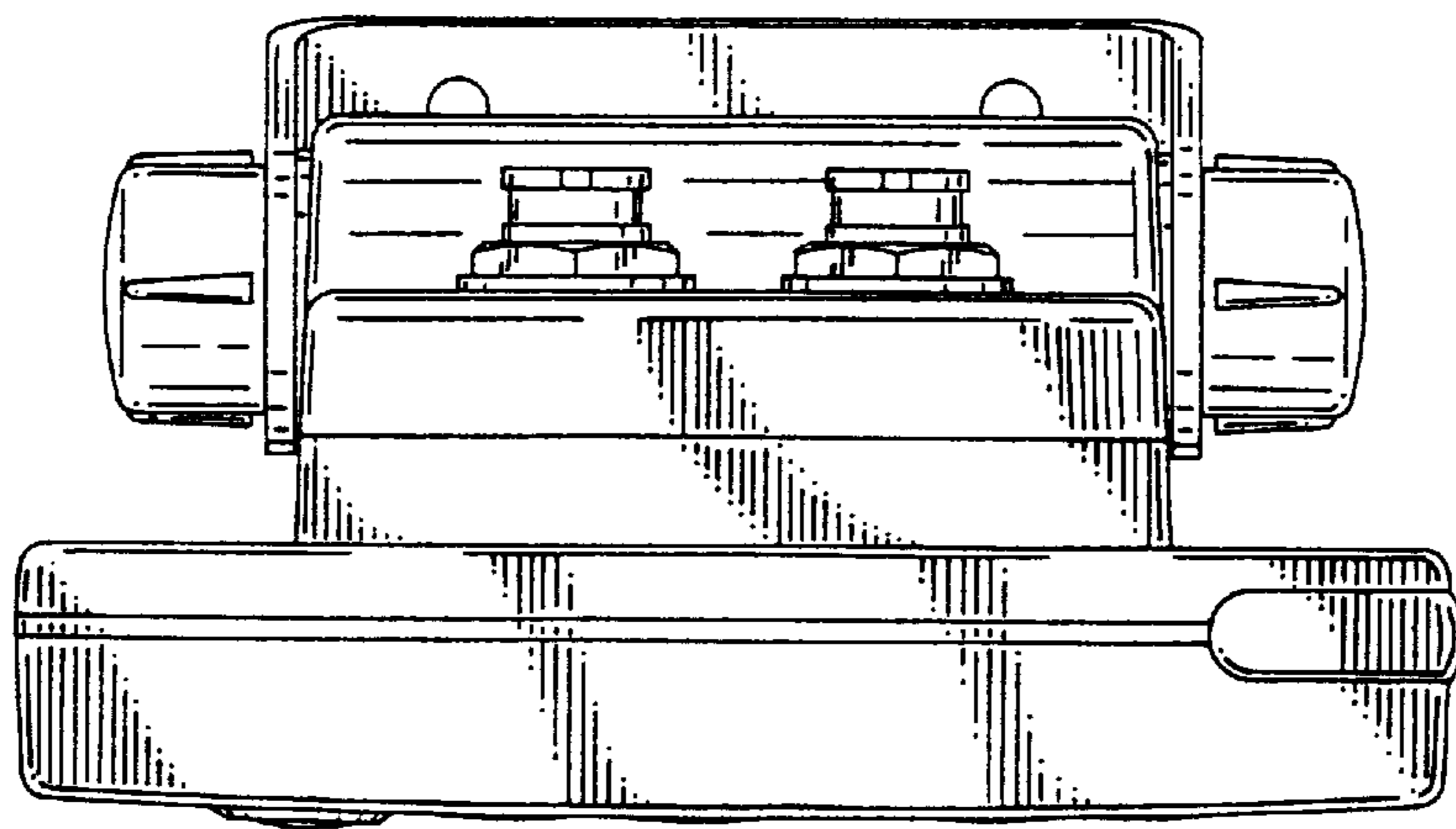


FIG. 4

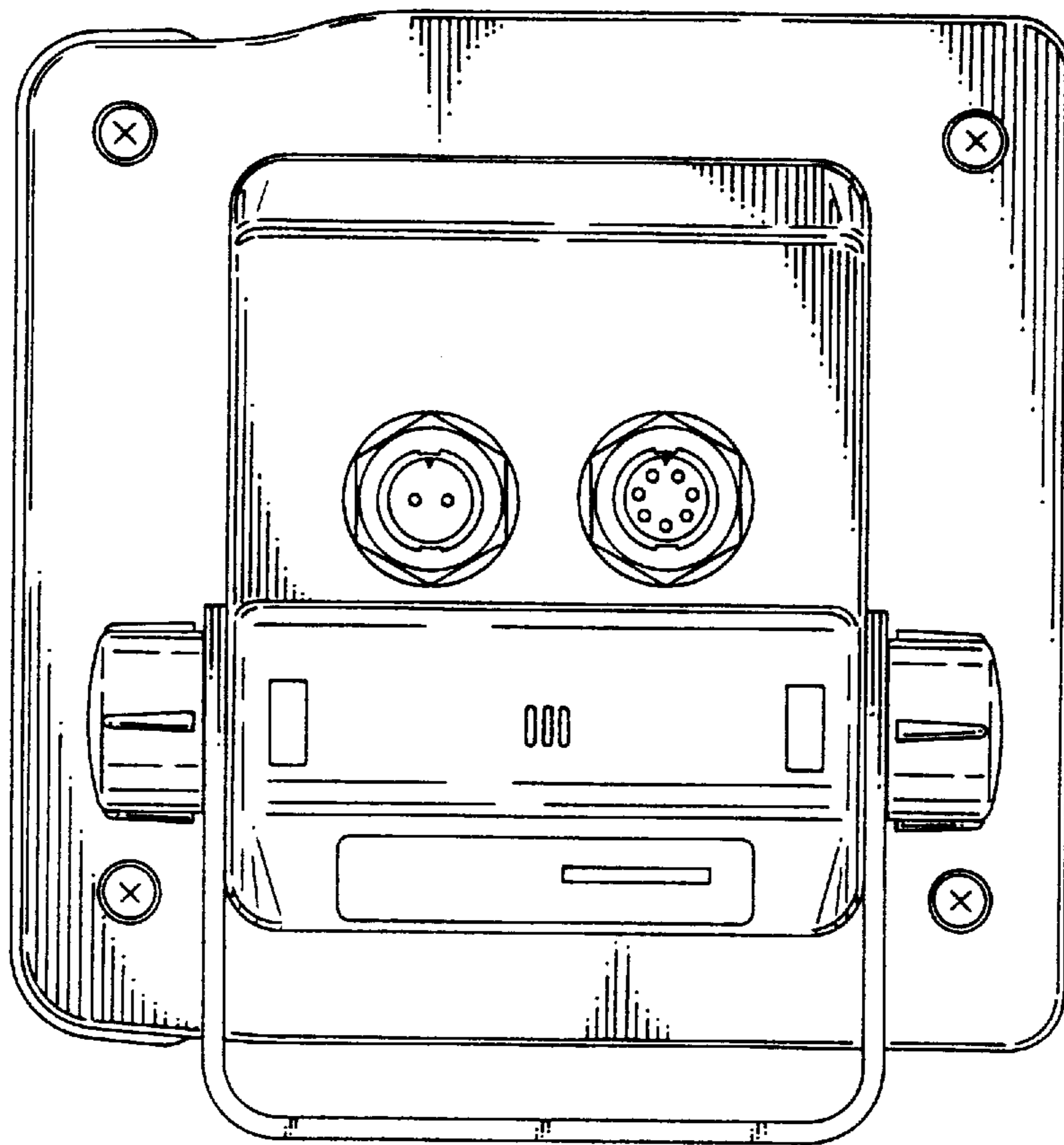


FIG. 5

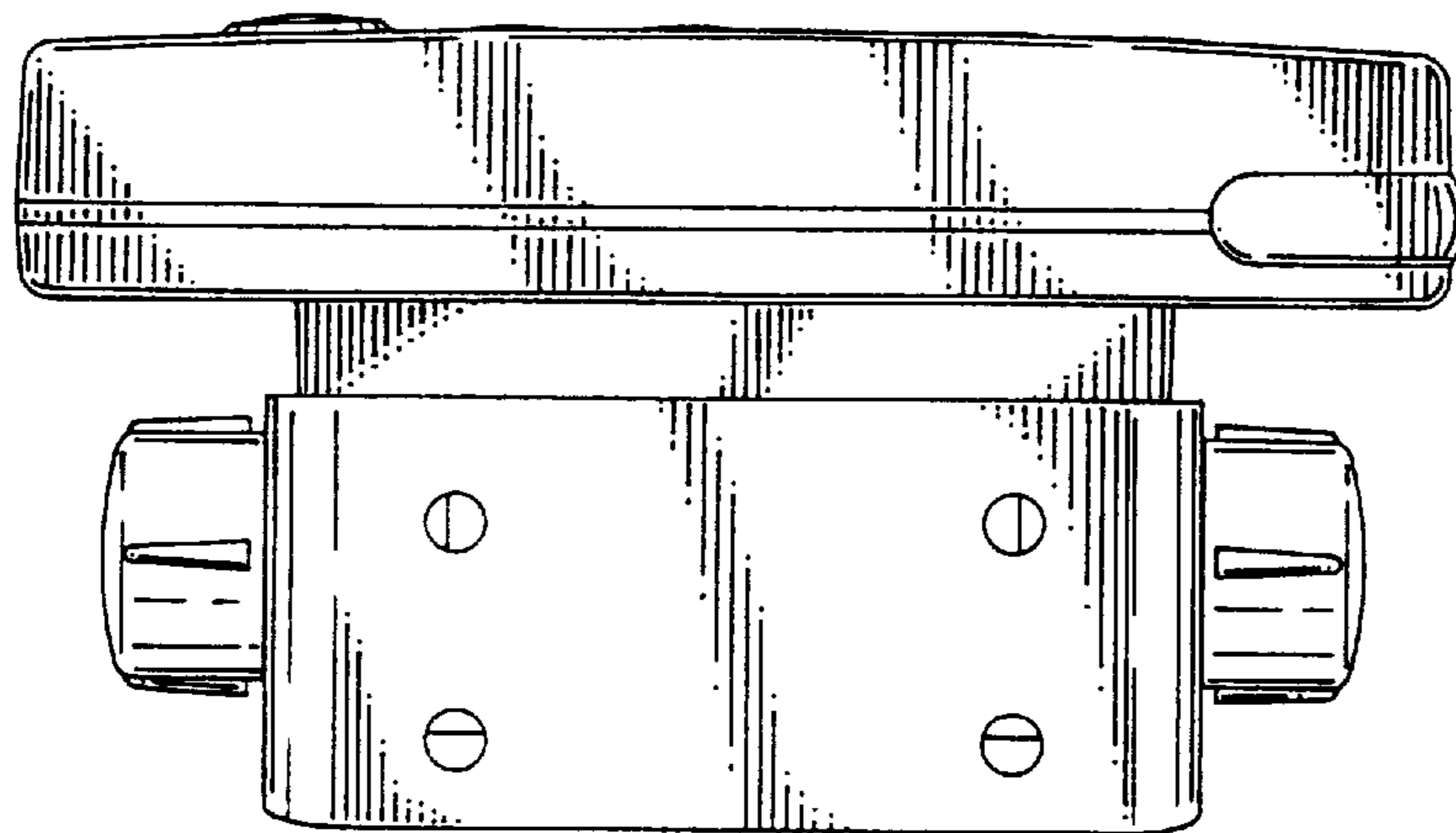


FIG. 6

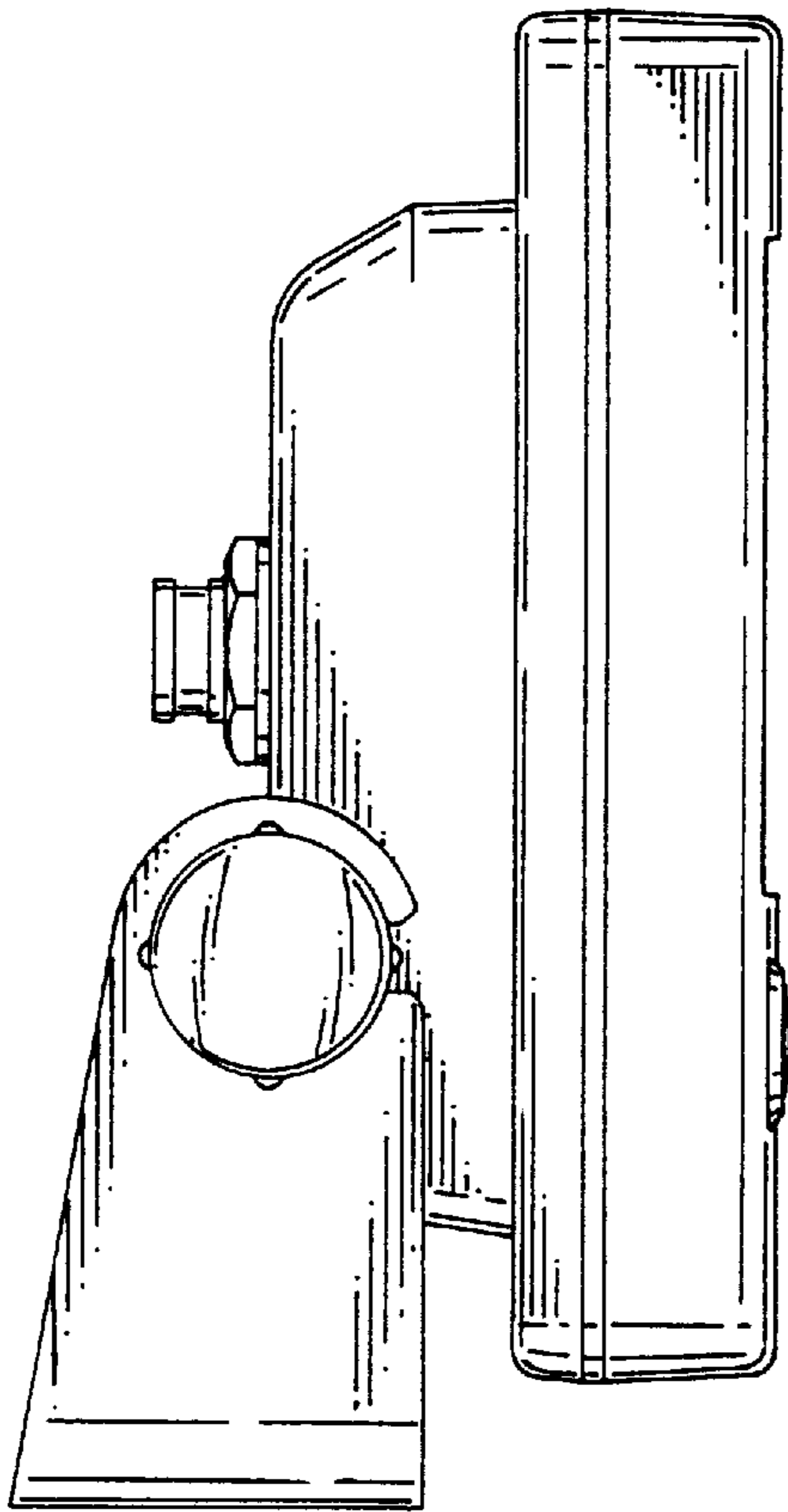


FIG. 7

