



US00D398528S

# United States Patent [19]

[11] Patent Number: Des. 398,528

Wiemann et al.

[45] Date of Patent: \*\*\*Sep. 22, 1998

## [54] CONTAINER BOTTOM

[75] Inventors: **David J. Wiemann**, O'Fallon; **John W. Cooley**, Hazelwood, both of Mo.

[73] Assignee: **Anheuser-Busch, Incorporated**, St. Louis, Mo.

[\*] Notice: The portion of the term of this patent subsequent to Jul. 1, 2011, has been disclaimed.

[\*\*] Term: **14 Years**

[21] Appl. No.: **69,720**

[22] Filed: **Mar. 11, 1997**

### Related U.S. Application Data

[62] Division of Ser. No. 58,475, Aug. 15, 1996, Pat. No. Des. 391,482.

[51] **LOC (6) Cl.** ..... **09-07**

[52] **U.S. Cl.** ..... **D9/434**

[58] **Field of Search** ..... D9/434, 520; 215/374-377; 220/608

## [56] References Cited

### U.S. PATENT DOCUMENTS

Re. 35,140	1/1996	Powers, Jr. ....	215/376
D. 254,957	5/1980	Campbell et al. .	
D. 257,463	10/1980	Campbell et al. .	
D. 262,517	1/1982	Hayes .	
D. 267,393	12/1982	Gruodis et al. .	
D. 269,066	5/1983	Gaunt .	
D. 269,593	7/1983	Groudis et al. ....	D9/520 X
D. 270,332	8/1983	Gaunt .	
D. 271,664	12/1983	Cowan, Jr. et al. .	
D. 272,030	1/1984	Sleith .	
D. 272,418	1/1984	Groudis et al. ....	D9/520 X
D. 296,423	6/1988	Rayner .	
D. 314,704	2/1991	Lillelund et al. .	
D. 330,330	10/1992	Behm et al. ....	D9/434
D. 358,547	5/1995	Darr ....	D9/520
D. 380,383	7/1997	Wiemann et al. ....	D9/434
3,598,270	8/1971	Adomaitis et al. .	
3,727,783	4/1973	Carmichael ....	220/608 X

3,871,541	3/1975	Adomaitis .	
3,935,955	2/1976	Das .	
4,175,670	11/1979	Reynolds et al. .	
4,201,306	5/1980	Dubois et al. .	
4,264,017	4/1981	Karas et al. .	
4,266,685	5/1981	Lee, Jr. .	
4,313,545	2/1982	Maeda .	
4,318,489	3/1982	Snyder et al. .	
4,426,013	1/1984	Cherchian et al. .	
4,646,930	3/1987	Karas et al. .	
4,685,582	8/1987	Pulciani et al. .	
4,732,292	3/1988	Supik .	
4,785,949	11/1988	Krishnakumar et al. ....	215/375
4,834,256	5/1989	McMillin .	
4,867,323	9/1989	Powers ....	215/375
5,133,468	7/1992	Brunson et al. .	
5,205,434	4/1993	Brunson et al. .	
5,320,230	6/1994	Hsiung ....	215/375
5,421,480	6/1995	Cudzik .	
5,427,258	6/1995	Krishnakumar et al. .	
5,477,977	12/1995	Cudzik .	
5,626,228	5/1997	Wiemann et al. .	

### OTHER PUBLICATIONS

“The Aluminum Beverage Can,” by William F. Hosford and John L. Duncan; *Scientific American*, Sep. 1994; pp. 48-53.

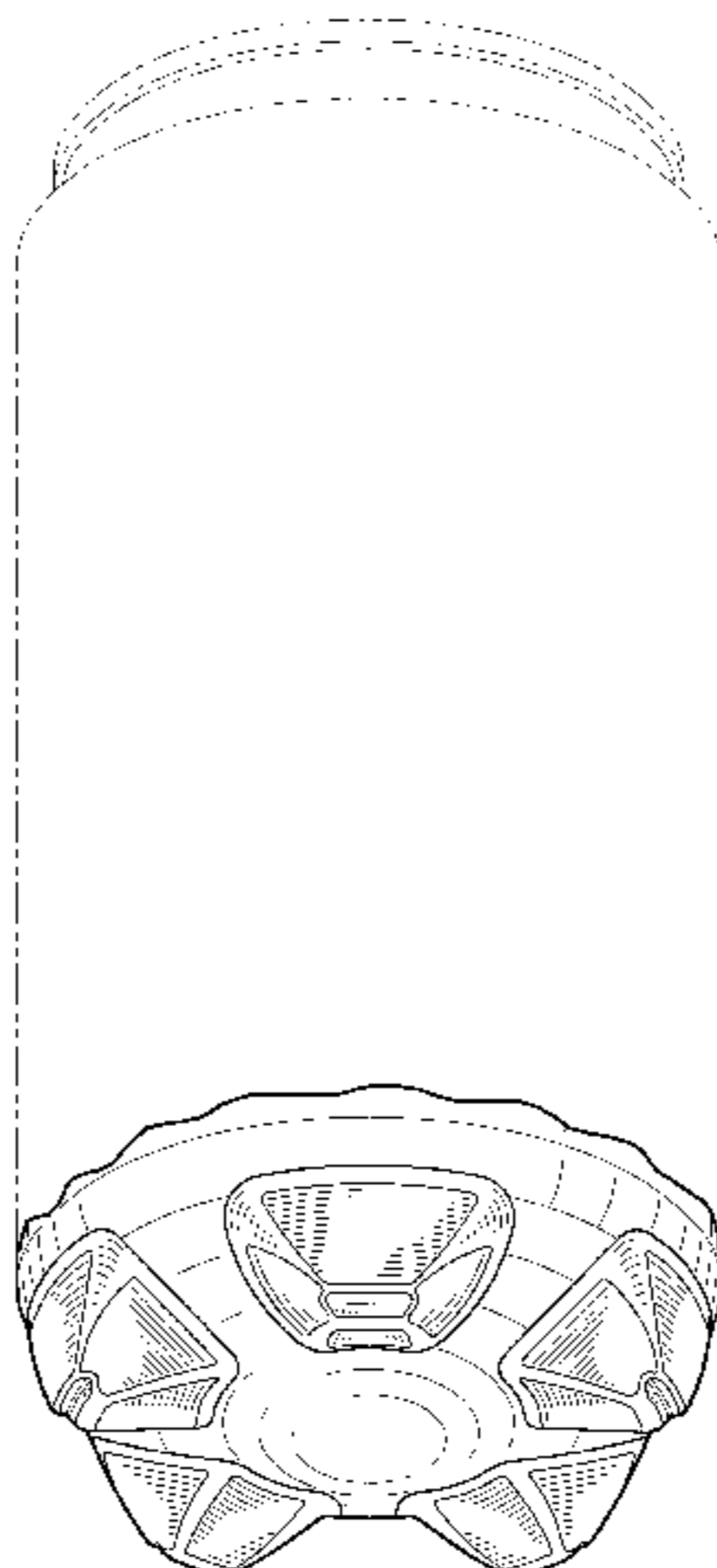
*Primary Examiner*—James Gandy  
*Assistant Examiner*—Cathron B. Matta  
*Attorney, Agent, or Firm*—Sidley & Austin

## [57] CLAIM

The ornamental design for a container bottom, as shown and described.

### DESCRIPTION

FIG. 1 is a perspective view of the container bottom;  
FIG. 2 is a bottom plan view of the container bottom of FIG. 1;  
FIG. 3 is side elevational view of the container bottom of FIG. 1, all other side elevational views being identical thereto;



# Des. 398,528

Page 2

---

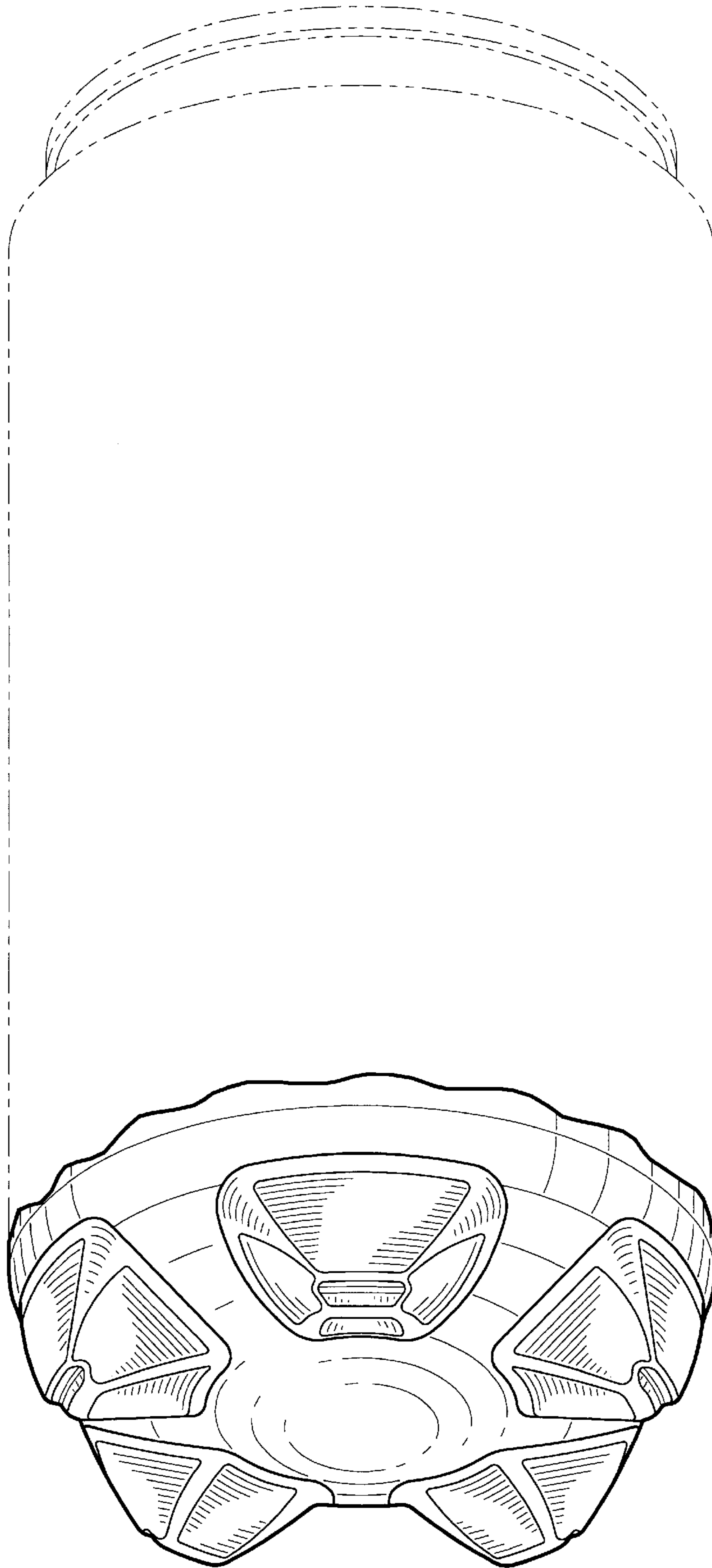
FIG. 4 is a sectional view of the container bottom of FIG. 1, taken along line 4—4 of FIG. 2; and, FIG. 5 is a sectional view of the container bottom of FIG. 1, taken along line 5—5 of FIG. 2.

The broken lines showing the remainder of the container in

FIG. 1, and the interior surface of the container in FIGS. 4 and 5, are for illustrative purposes only and form no part of the claimed design.

**1 Claim, 2 Drawing Sheets**

FIG. 1



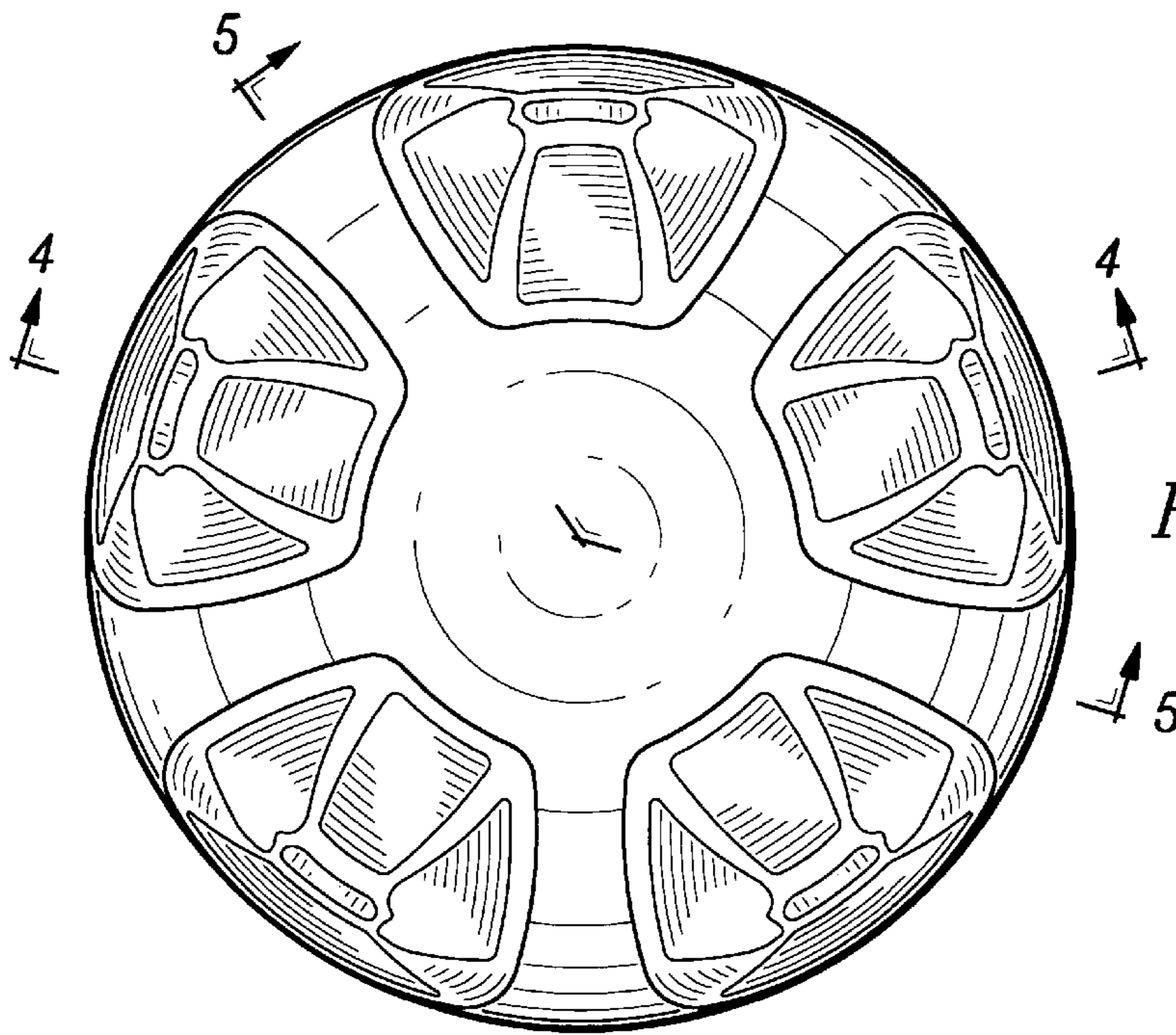


FIG. 2

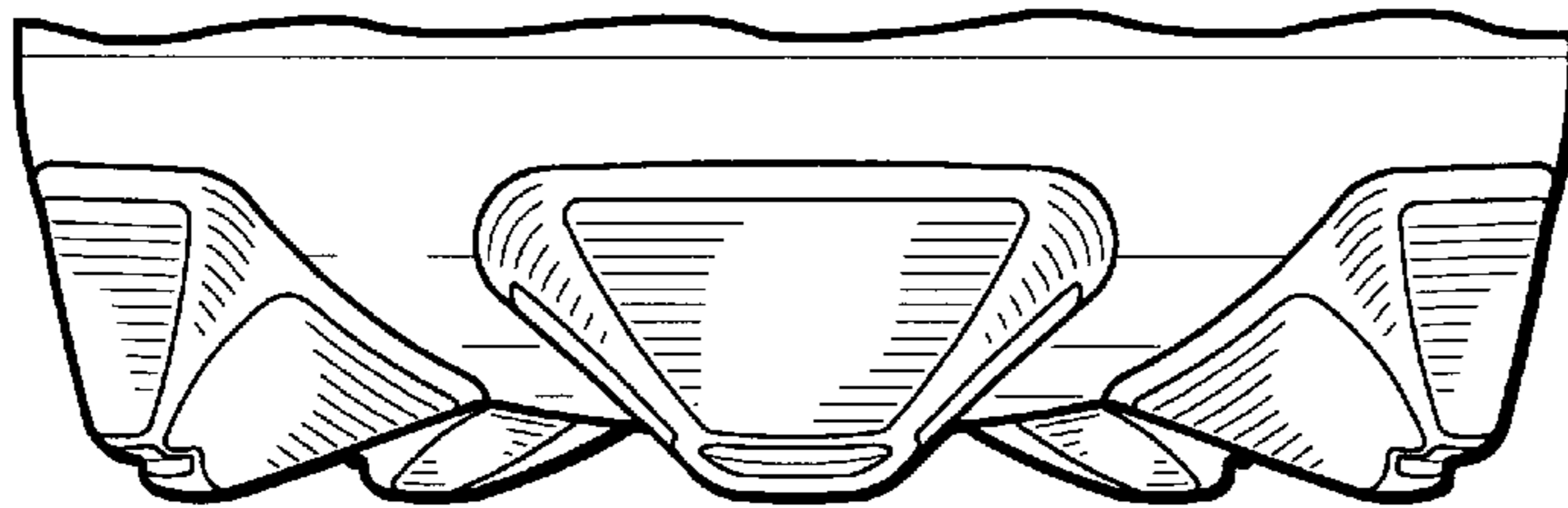


FIG. 3

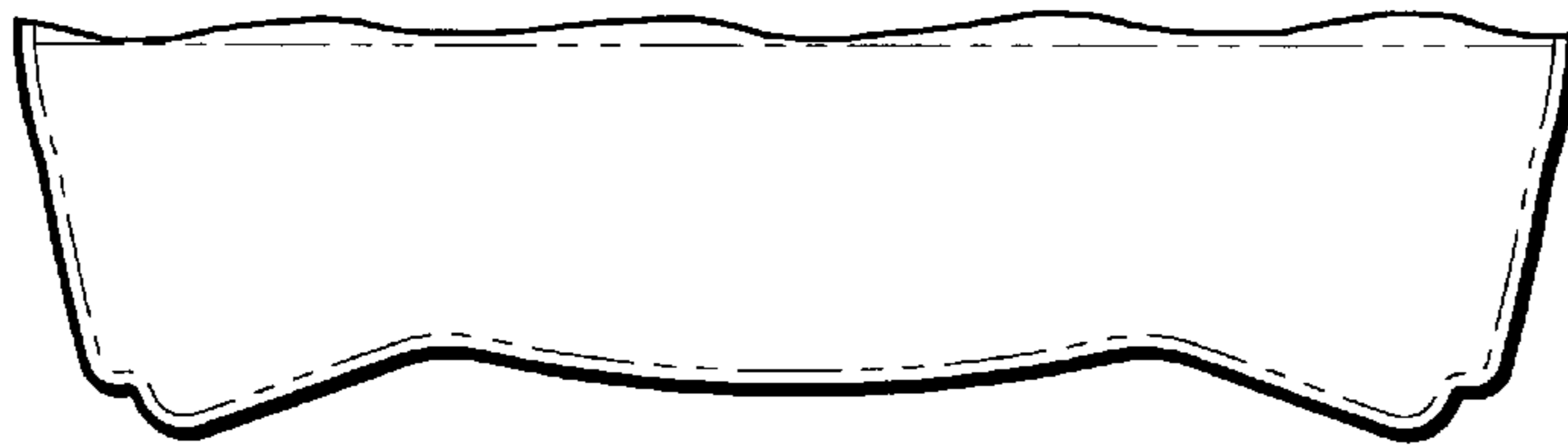


FIG. 4

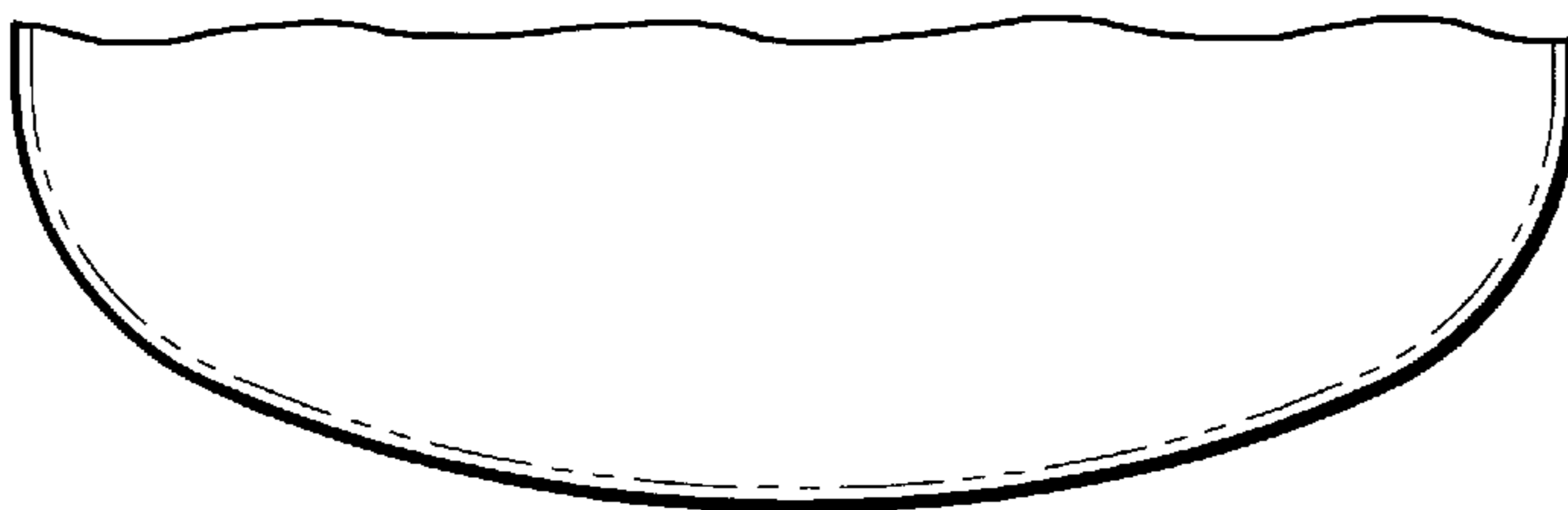


FIG. 5