



US00D398525S

United States Patent [19]
Orkisz

[11] **Patent Number: Des. 398,525**

[45] **Date of Patent: **Sep. 22, 1998**

[54] **PRODUCT HOLDING AND DISPLAYING CONTAINER**

[75] Inventor: **Rudolf P. Orkisz**, Monroe, Conn.

[73] Assignee: **Inline Plastics Corporation**, Shelton, Conn.

[**] Term: **14 Years**

[21] Appl. No.: **72,659**

[22] Filed: **Jun. 23, 1997**

[51] **LOC (6) Cl.** **09-07**

[52] **U.S. Cl.** **D9/424; D9/425**

[58] **Field of Search** D9/420-426, 337, D9/456; 206/303, 304.1, 304.2, 389, 390, 391, 394, 397, 710, 711, 712, 770-774; 220/4.21, 4.22, 4.23, 4.24, 4.25, 376, 377, 669, 675; 229/406, 902, 938

[56] **References Cited**

U.S. PATENT DOCUMENTS

- D. 231,495 4/1974 Saltz D9/422 X
- D. 260,237 8/1981 Fuzere 206/711 X
- D. 329,978 10/1992 Ryan D9/415

- D. 344,891 3/1994 Dressen 206/710 X
- 3,850,296 11/1974 Hirata et al. 206/711
- 4,135,625 1/1979 Merrill 206/711 X
- 4,450,960 5/1984 Johnson 206/711
- 4,588,086 5/1986 Coe 206/711 X
- 4,752,009 6/1988 Dahlby D3/319 X
- 4,858,764 8/1989 Domokos 206/711 X

Primary Examiner—Prabhakar G. Deshmukh
Attorney, Agent, or Firm—Melvin T. Stoltz

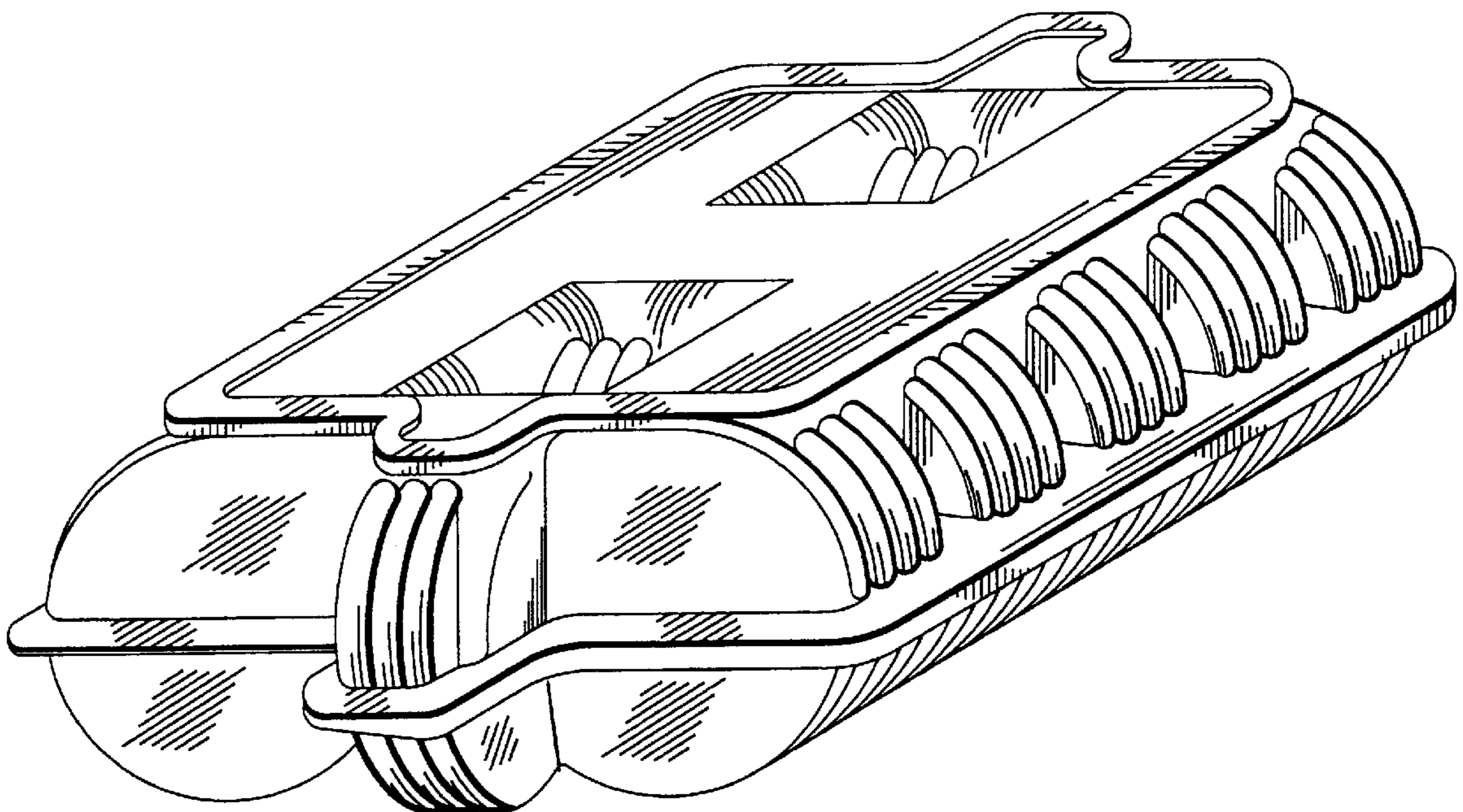
[57] **CLAIM**

The ornamental design for a product holding and displaying container, as shown and described.

DESCRIPTION

FIG. 1 is a perspective view of the product holding and displaying container showing my new design; FIG. 2 is a top plan view thereof; FIG. 3 is a front elevational view thereof; FIG. 4 is a rear elevational view thereof; FIG. 5 is a bottom plan view thereof; FIG. 6 is a side elevational view thereof, looking from the right side of FIG. 2; and, FIG. 7 is a side elevational view thereof, looking from the left side of FIG. 2.

1 Claim, 4 Drawing Sheets



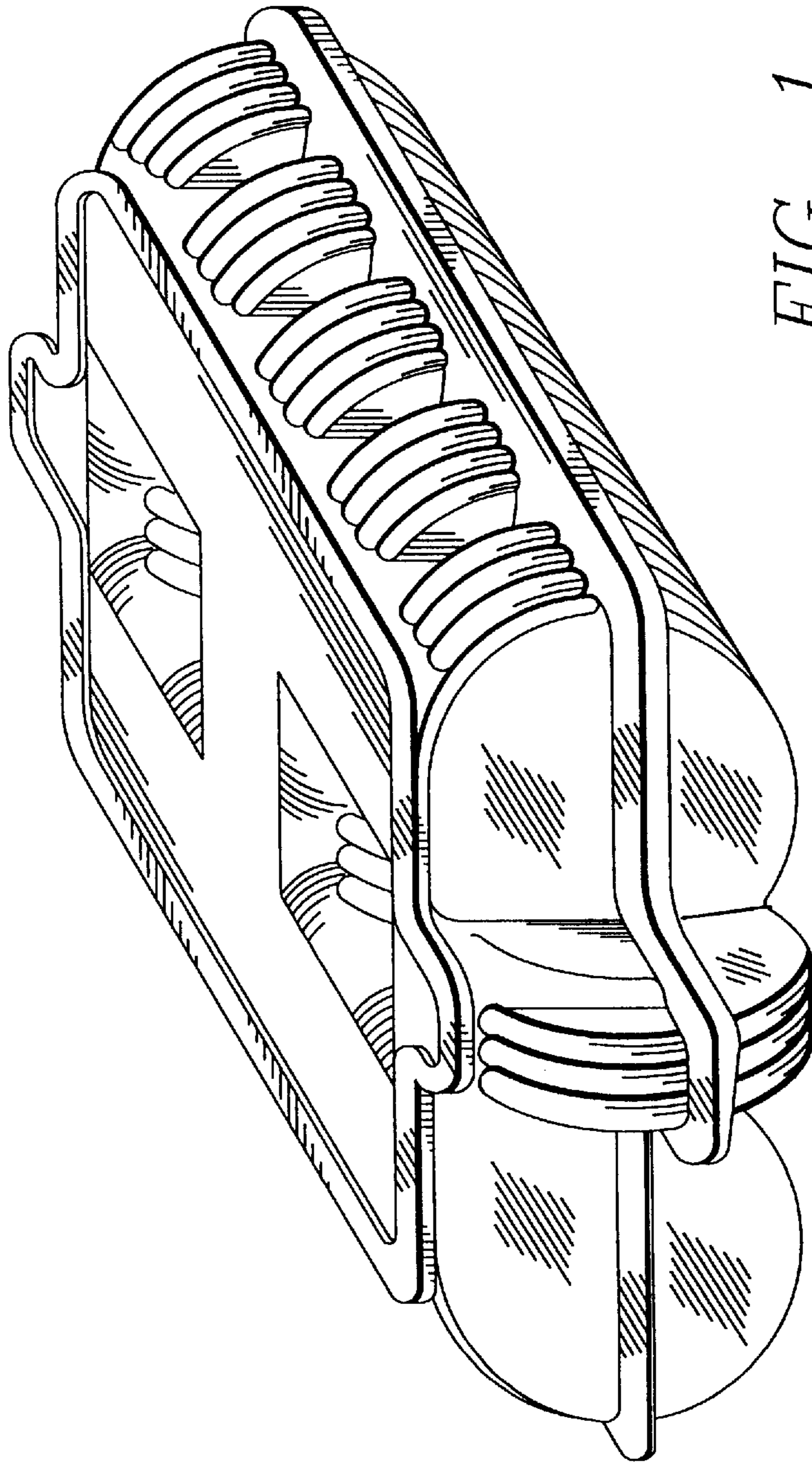


FIG. 1

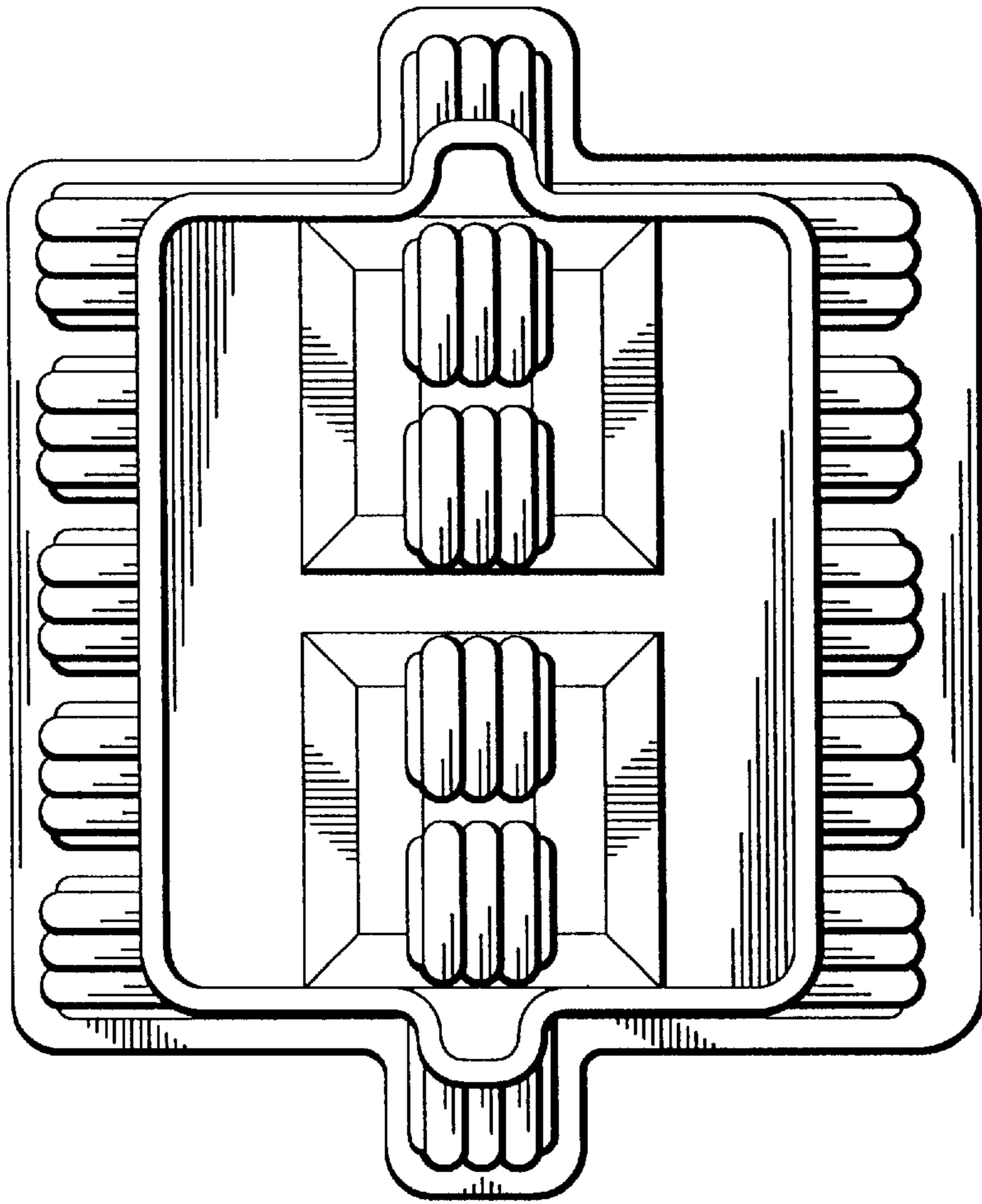


FIG. 2

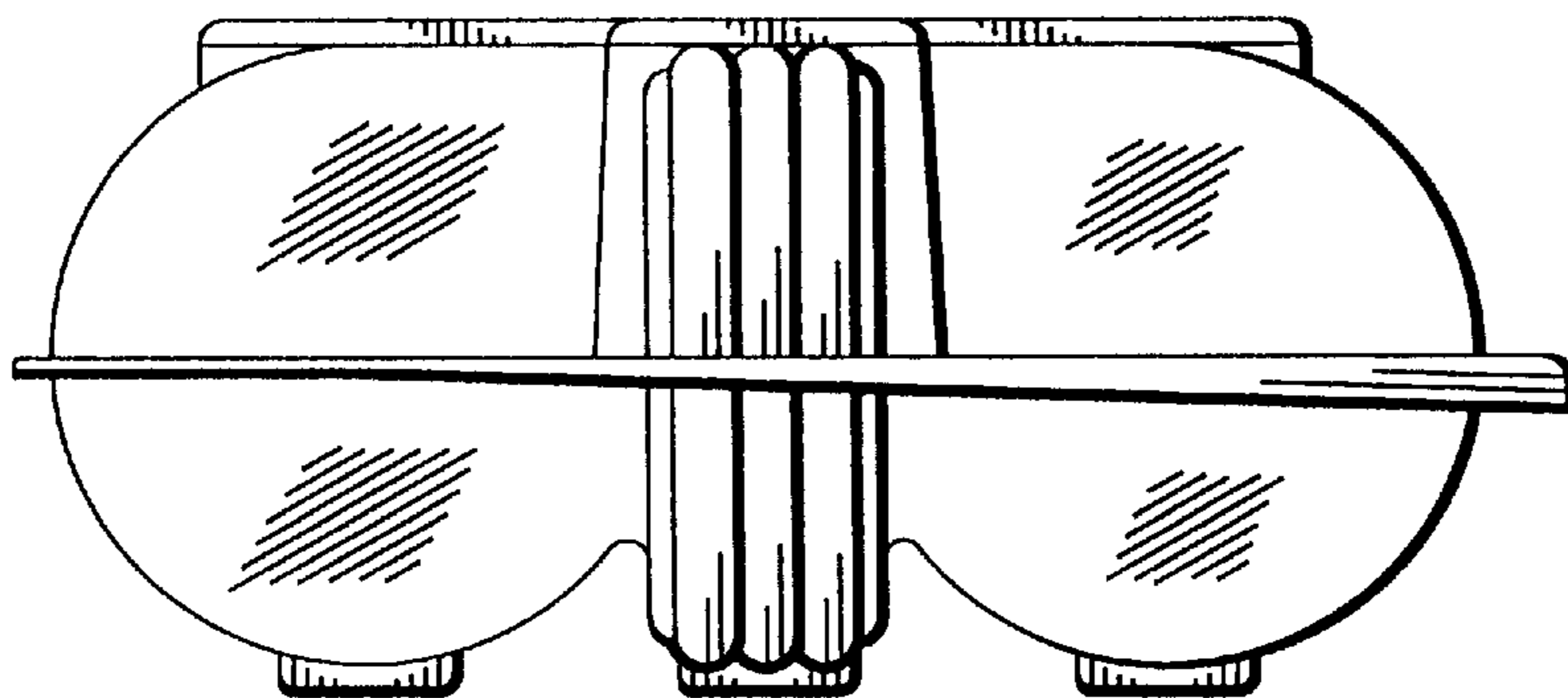


FIG. 3

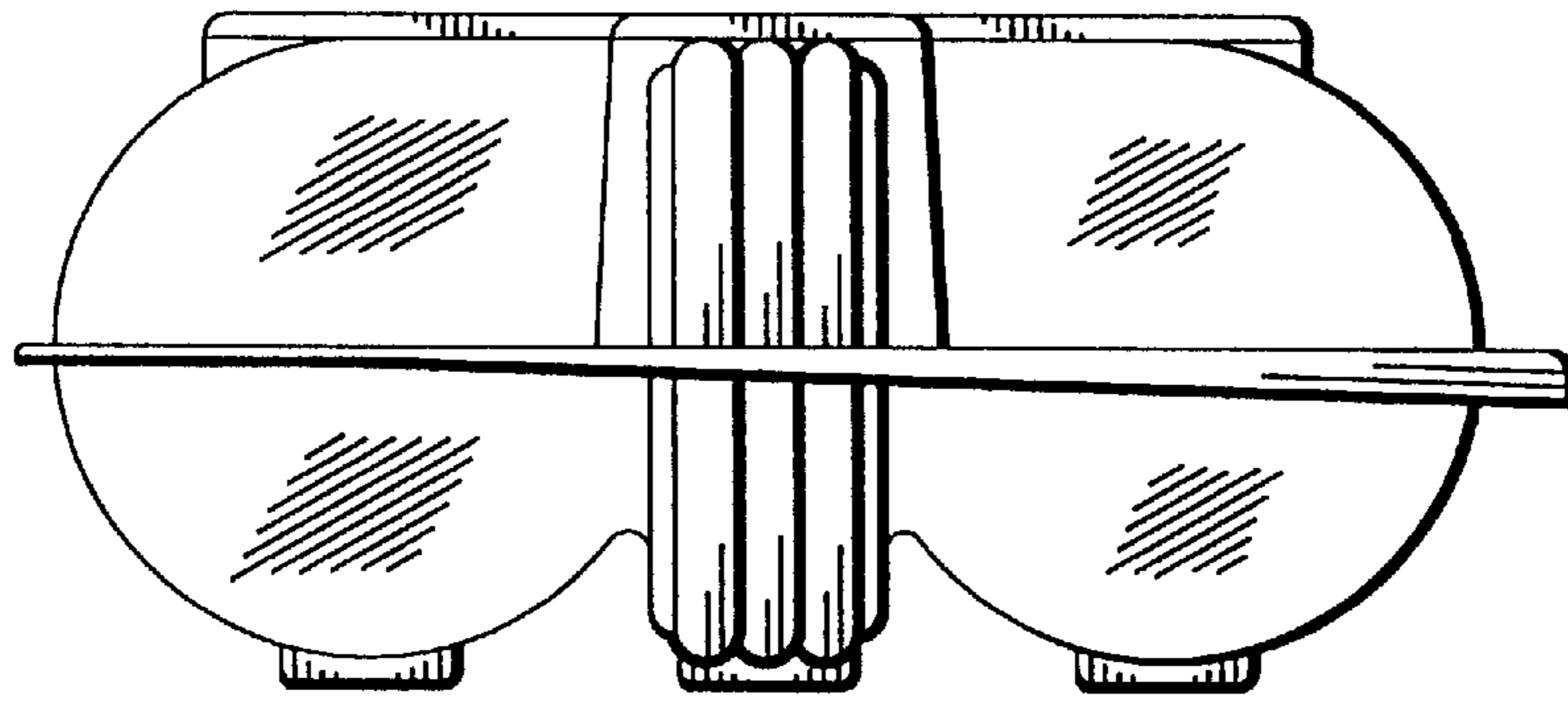


FIG. 4

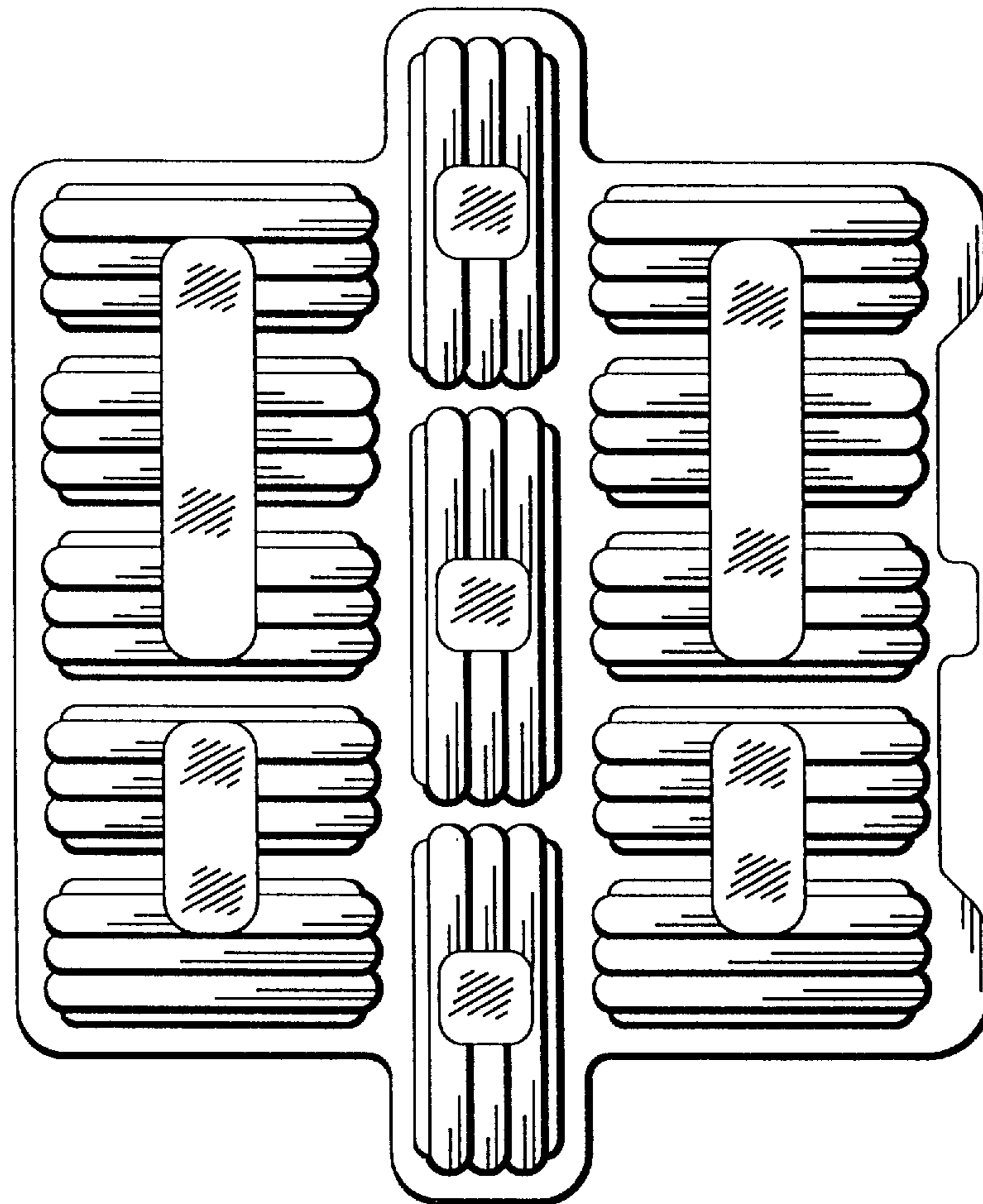


FIG. 5

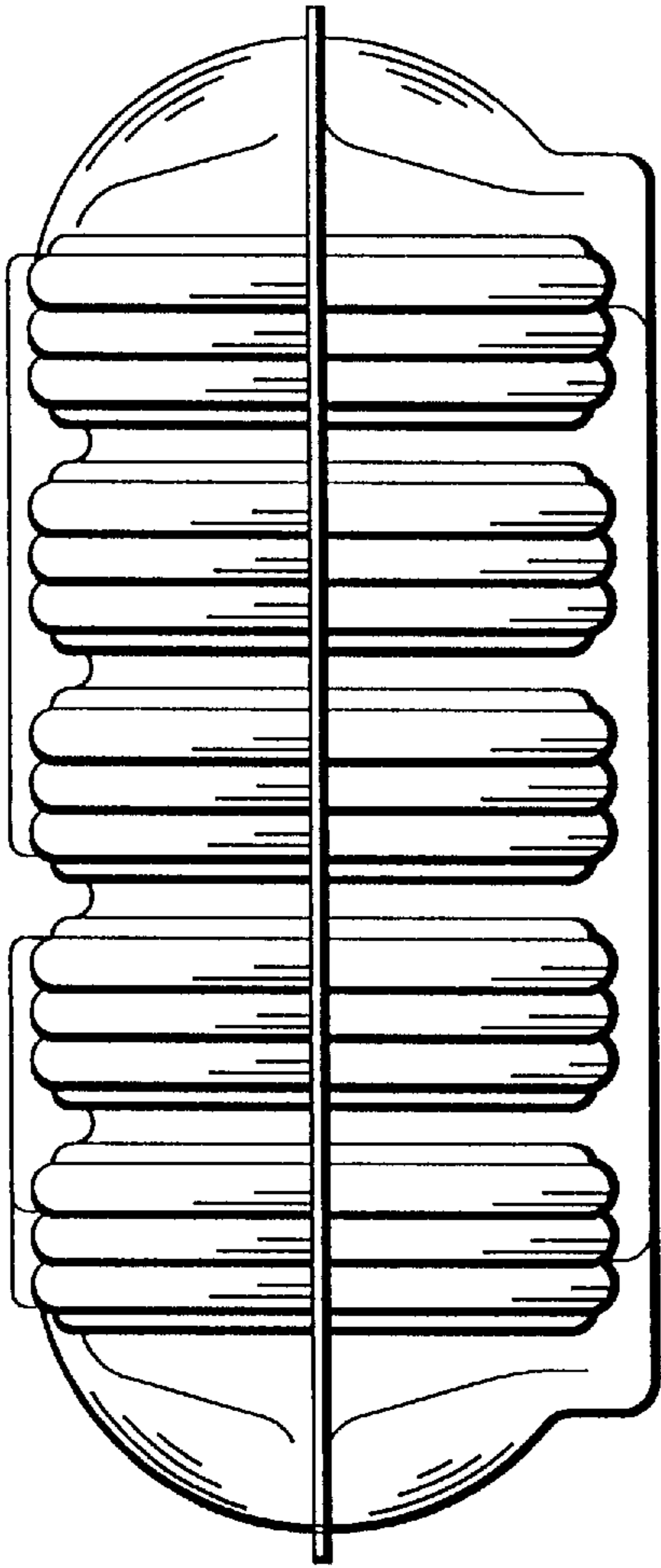


FIG. 6

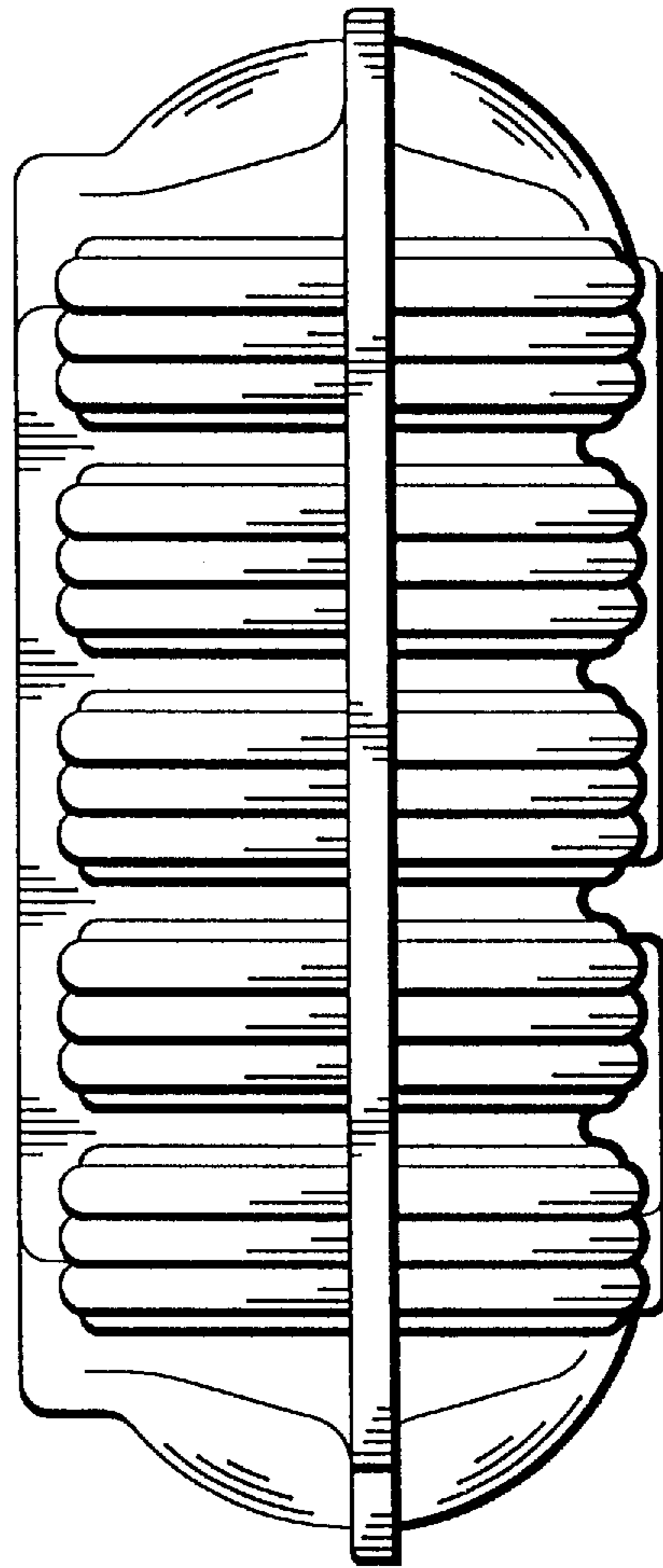


FIG. 7