



US00D398524S

United States Patent [19] Waterhouse

[11] **Patent Number: Des. 398,524**

[45] **Date of Patent: **Sep. 22, 1998**

[54] **PACKAGE**

[75] Inventor: **Peter John Waterhouse**, Hamilton,
New Zealand

[73] Assignee: **Carter Holt Harvey Limited**, Manukau
City, New Zealand

[**] Term: **14 Years**

[21] Appl. No.: **69,212**

[22] Filed: **Mar. 19, 1997**

[30] **Foreign Application Priority Data**

Sep. 19, 1996 [NZ] New Zealand 27924

[51] **LOC (6) Cl.** **09-03**

[52] **U.S. Cl.** **D9/347**

[58] **Field of Search** D7/553, 555, 557,
D7/602, 629; D9/341, 345, 347, 424, 425,
430, 431, 456; 220/500, 555, 657, 659;
229/904, 906

[56] **References Cited**

U.S. PATENT DOCUMENTS

D. 268,645 4/1983 Phillips et al. D9/345 X

D. 324,651 3/1992 Kaneko D9/432 X
3,381,876 5/1968 Biffins 229/904 X
4,298,133 11/1981 Davis 220/659 X
5,236,119 8/1993 Chu 220/555 X

Primary Examiner—Sandra L. Morris
Assistant Examiner—Nanda Bondade
Attorney, Agent, or Firm—Jacobson, Price, Holman &
Stern, PLLC

[57] **CLAIM**

The ornamental design for a package, as shown and described.

DESCRIPTION

FIG. 1 is a perspective view of a package showing my new design, shown without the protective seal for clarity of illustration;

FIG. 2 is a top plan view thereof;

FIG. 3 is a cross-sectional view taken along line 3—3 of FIG. 2,

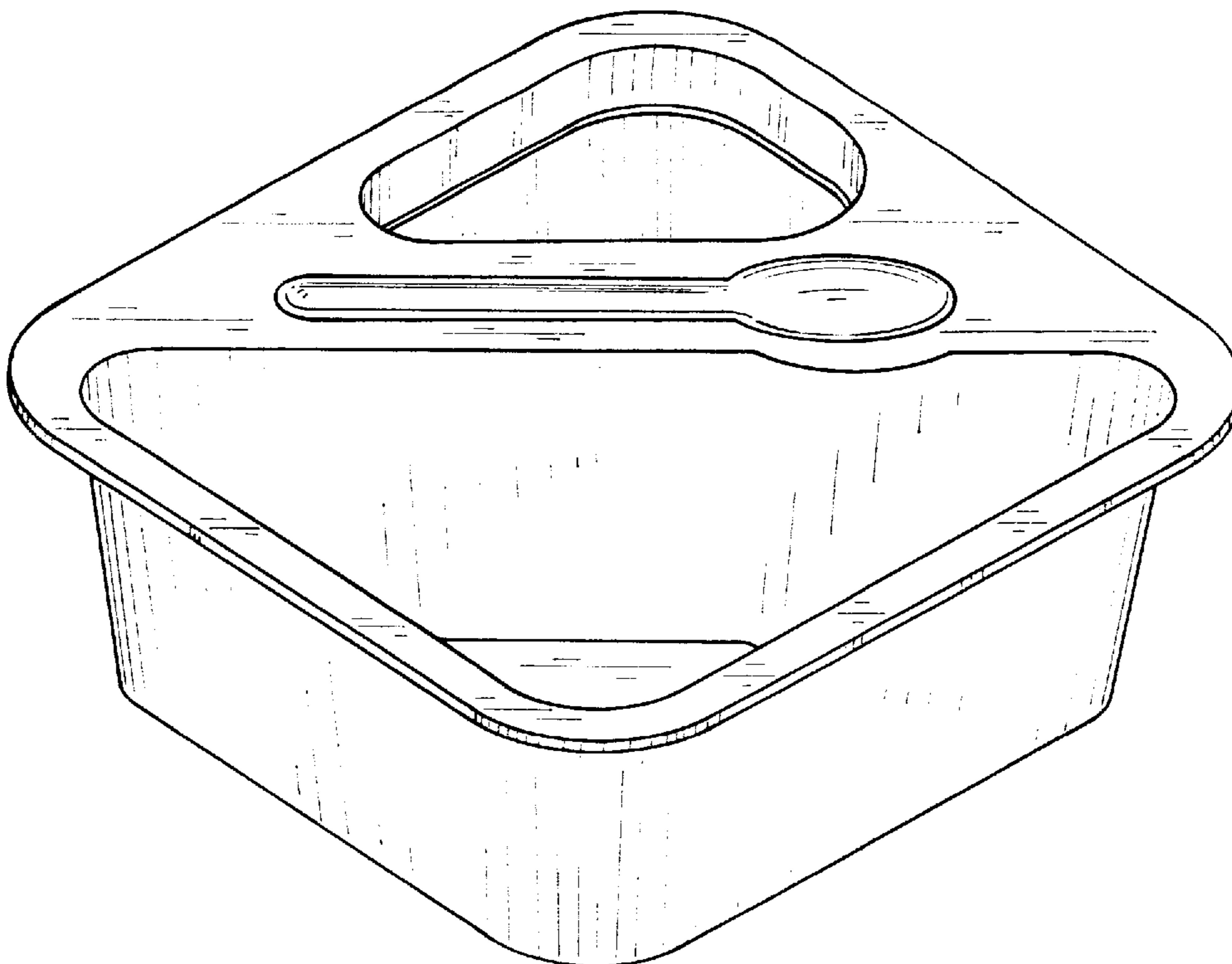
FIG. 4 is a perspective view with a protective seal extending across an upper surface of the package;

FIG. 5 is a right side view thereof;

FIG. 6 is a rear view thereof; and,

FIG. 7 is a bottom view thereof.

1 Claim, 4 Drawing Sheets



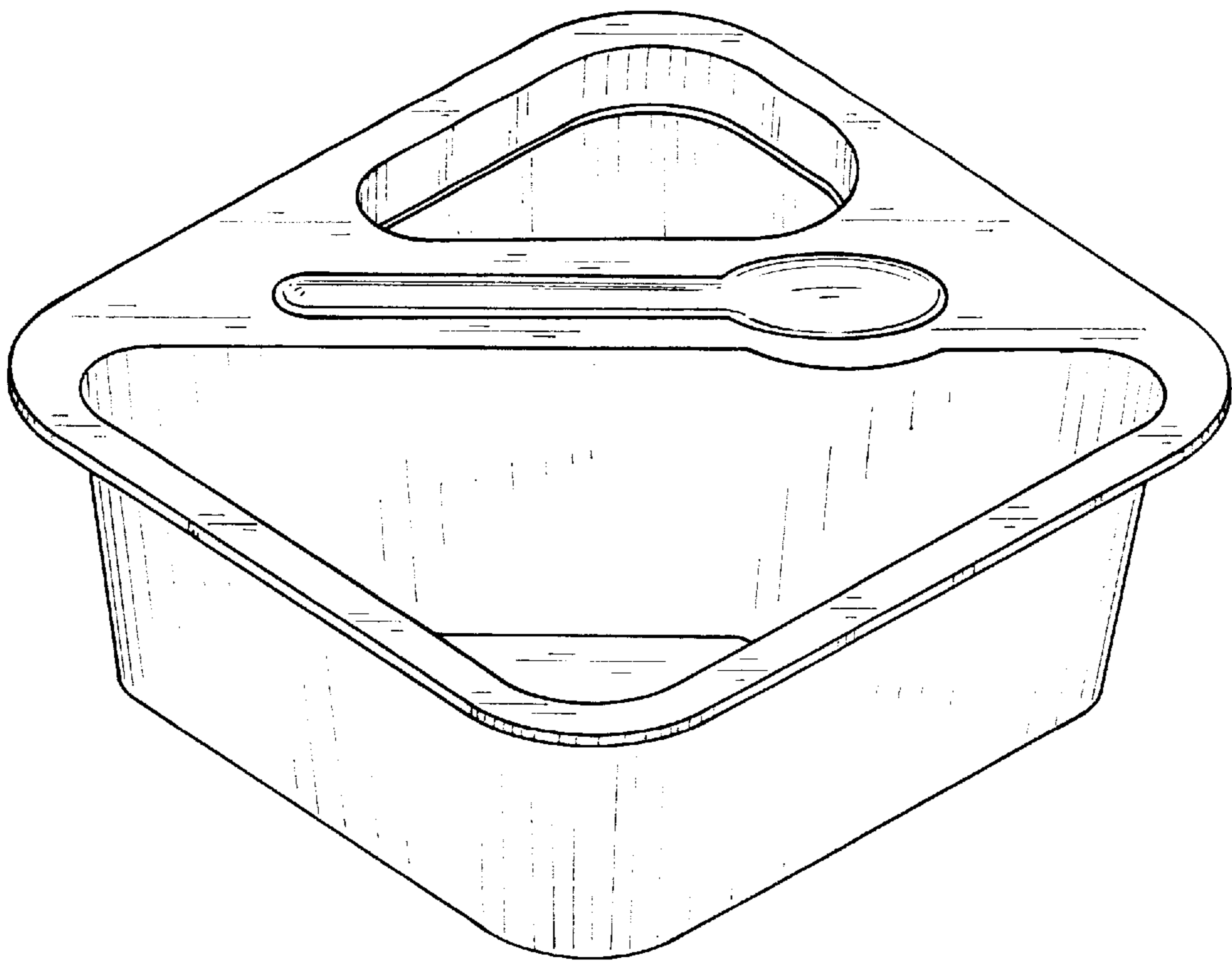


FIG. 1

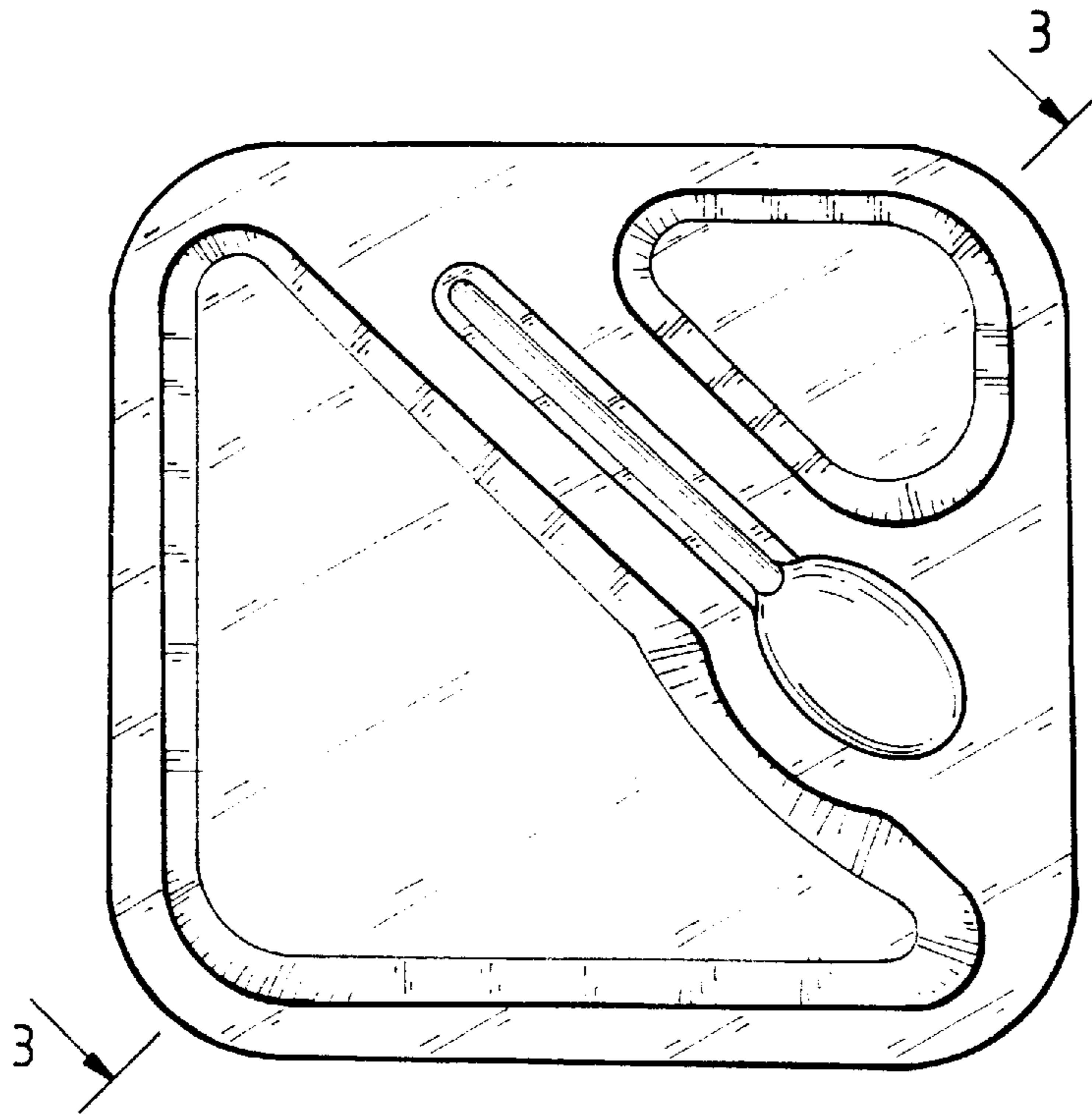


FIG. 2

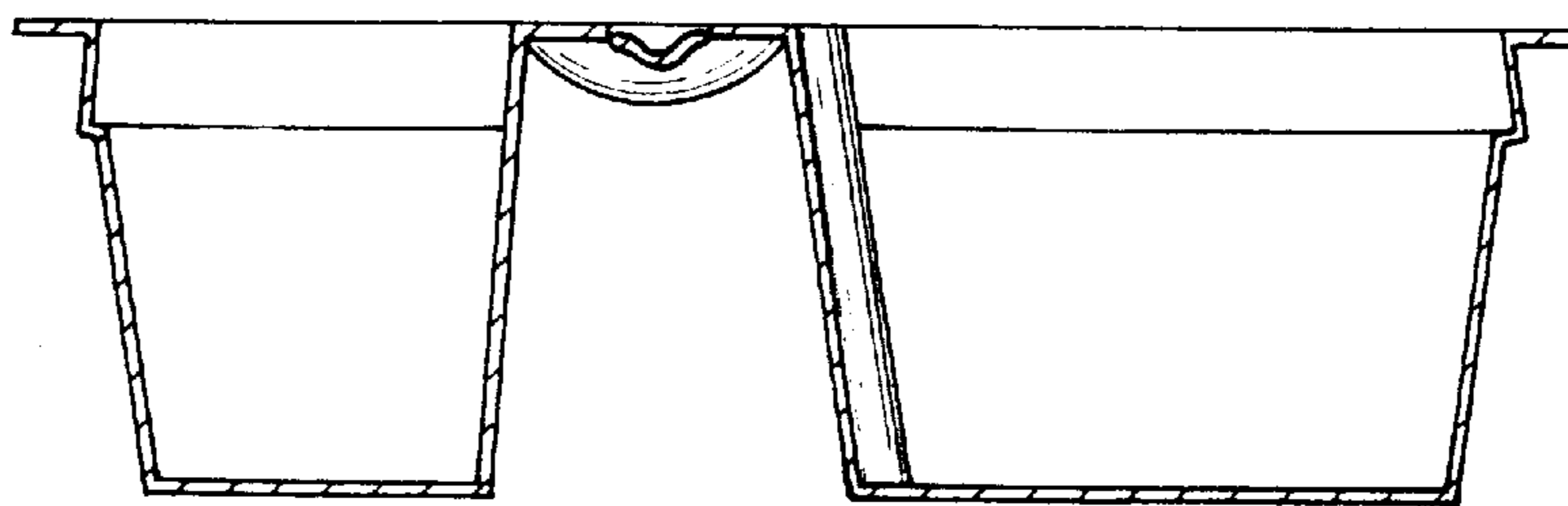


FIG. 3

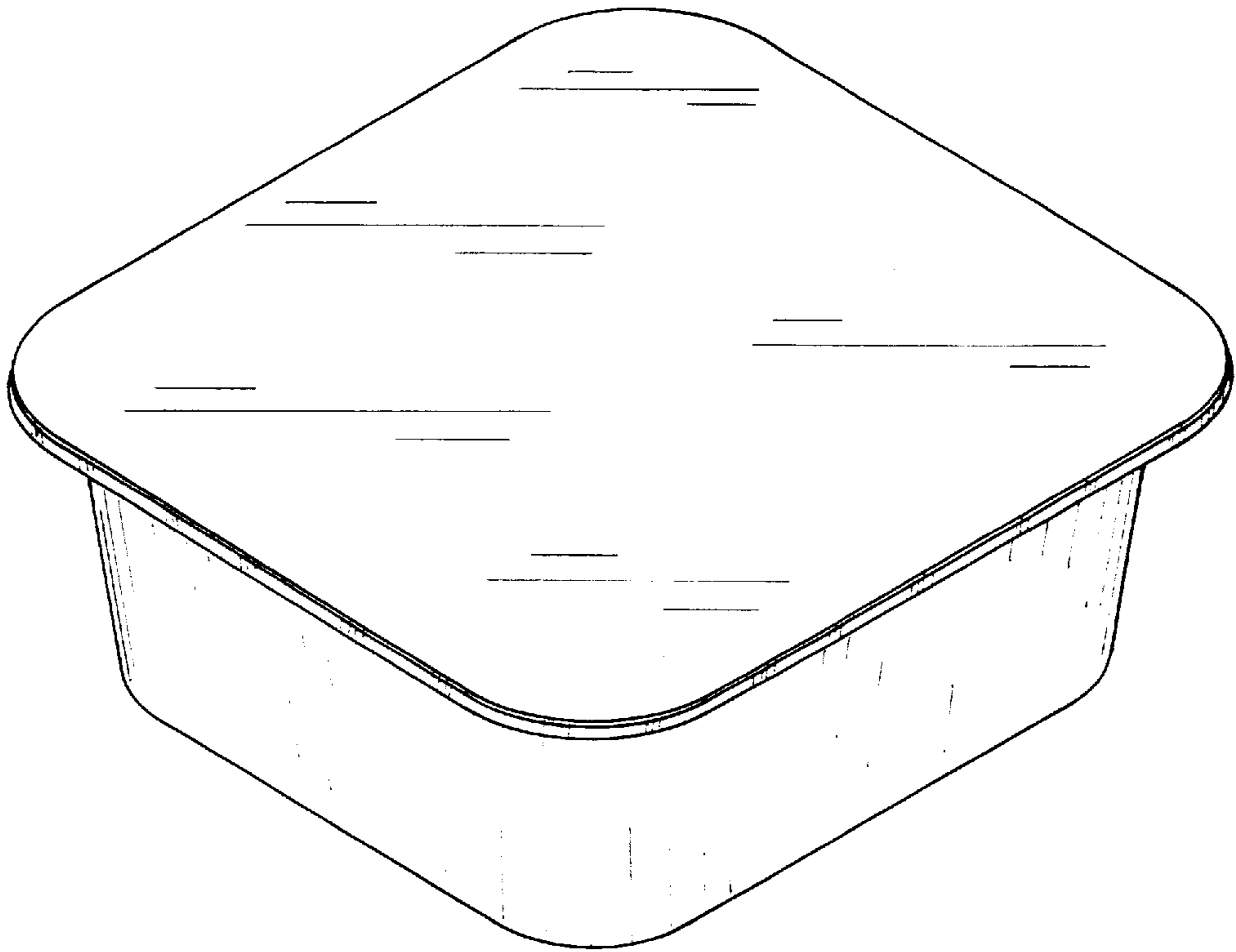


FIG. 4

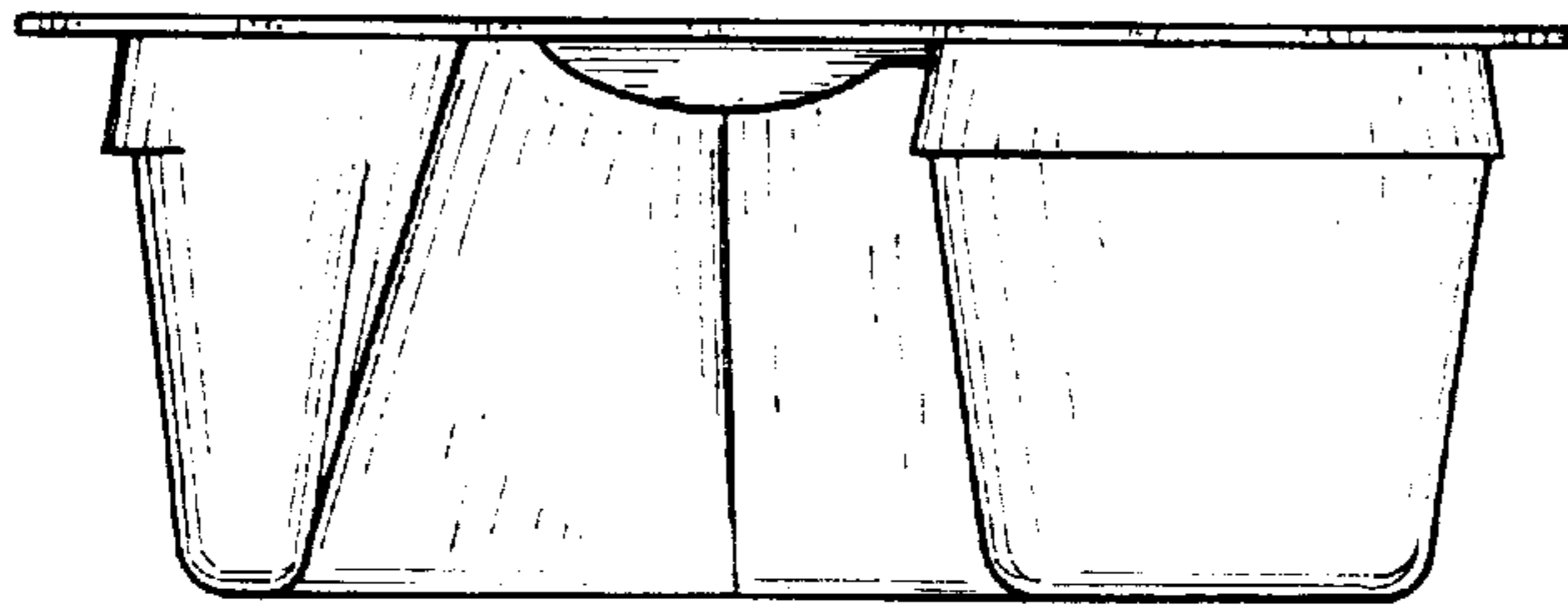


FIG. 5

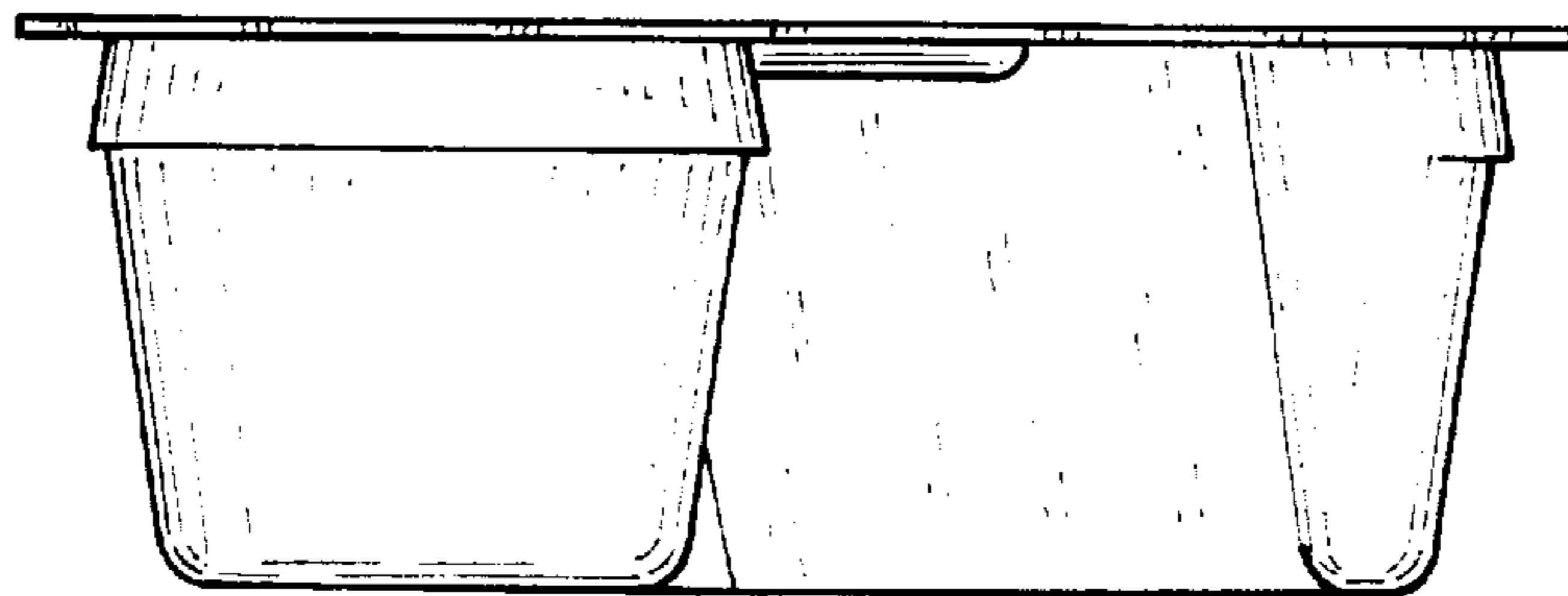


FIG. 6

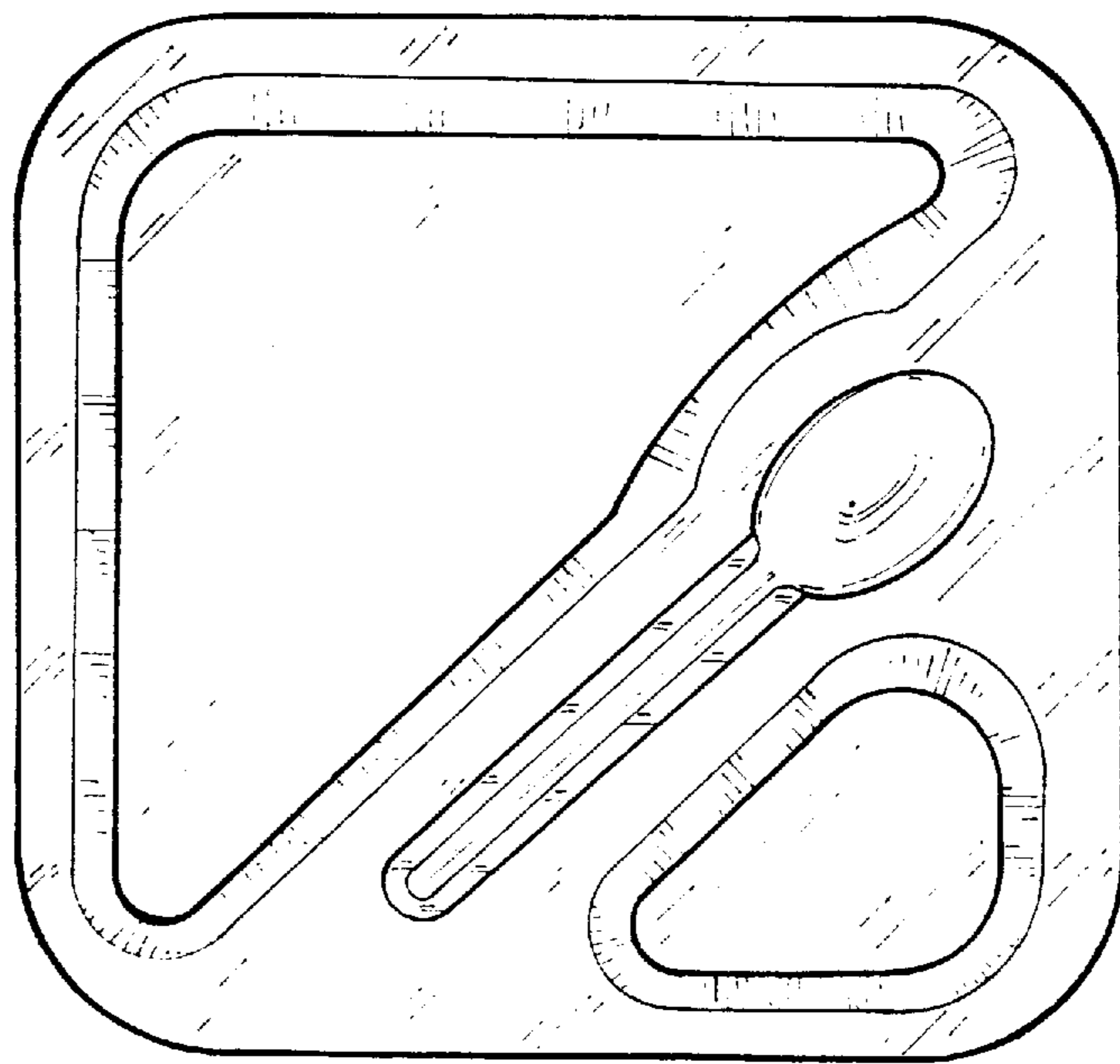


FIG. 7