



US00D398523S

United States Patent [19]

Petricca et al.

[11] **Patent Number: Des. 398,523**

[45] **Date of Patent: **Sep. 22, 1998**

[54] **DIVIDER OF RAZOR BLADE CARTRIDGE DISPENSER**

[75] Inventors: **John D. Petricca**, Leominster; **Norman D. Poisson**, Andover, both of Mass.

[73] Assignee: **The Gillette Company**, Boston, Mass.

[**] Term: **14 Years**

[21] Appl. No.: **66,646**

[22] Filed: **Feb. 19, 1997**

[51] **LOC (6) Cl. 09-03**

[52] **U.S. Cl. D9/342**

[58] **Field of Search** D9/340, 341, 342, D9/347, 418; 206/208, 228, 352, 354-360; 220/555, 556, 669, 675

[56] **References Cited**

U.S. PATENT DOCUMENTS

D. 231,198	4/1974	Casselli et al.	D9/340
D. 247,349	2/1978	Carr .	
D. 256,996	9/1980	Kiraly .	
D. 256,997	9/1980	Motta .	
D. 256,998	9/1980	Motta .	
D. 312,568	12/1990	Gray	D9/342
D. 358,761	5/1995	Ho	D9/341
D. 366,611	1/1996	Poisson	D9/342
3,771,223	11/1973	Dawidowicz et al.	206/354 X
3,854,201	12/1974	Dawidowicz et al.	206/356 X
4,173,285	11/1979	Kiraly et al. .	
5,518,114	5/1996	Kohring et al.	206/352

FOREIGN PATENT DOCUMENTS

1160542 8/1969 United Kingdom .

Primary Examiner—Ted Shooman
Assistant Examiner—Nanda Bondade
Attorney, Agent, or Firm—Fish & Richardson P.C.

[57] **CLAIM**

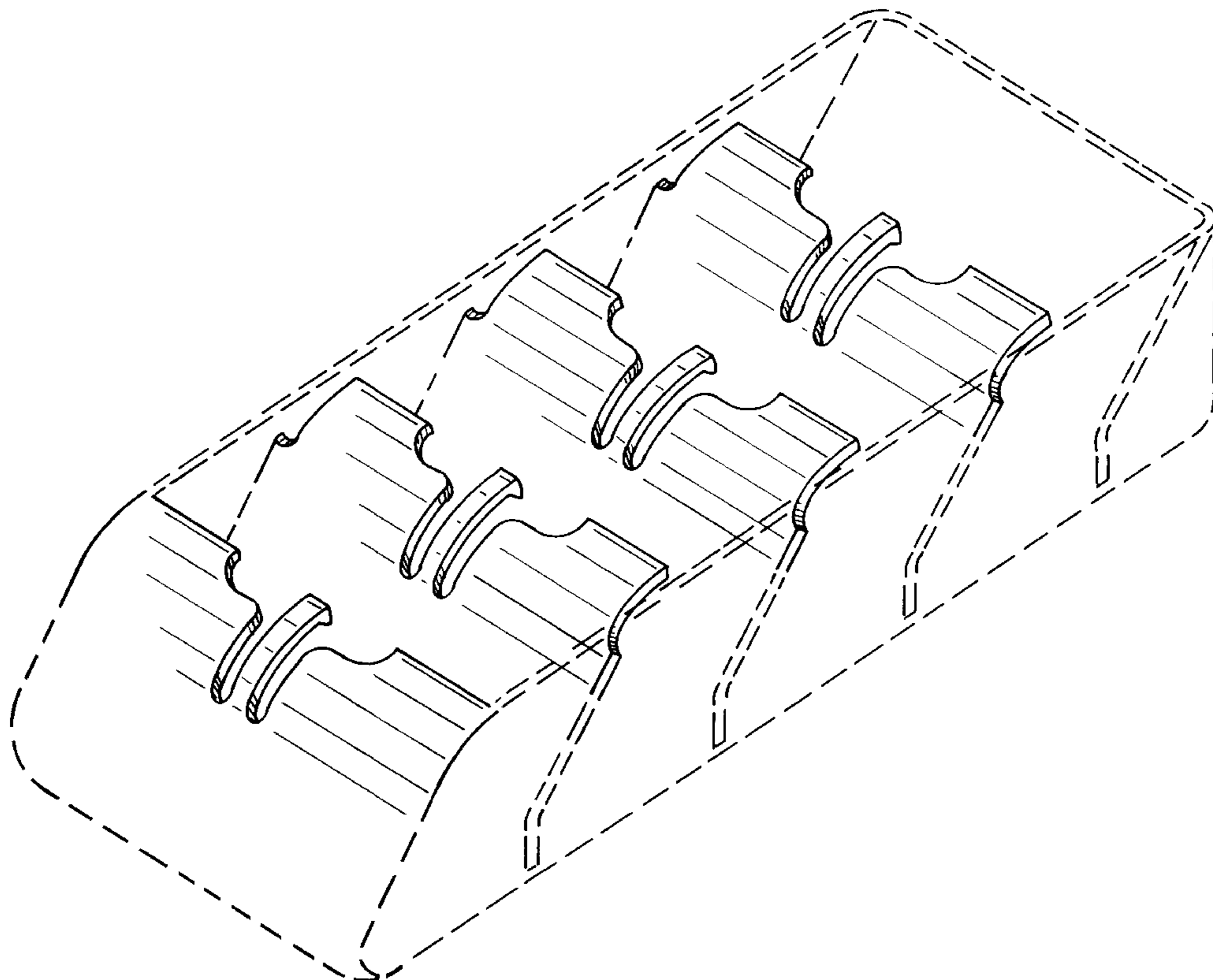
The ornamental design for a divider of razor blade cartridge dispenser, as shown and described.

DESCRIPTION

FIG. 1 is a perspective view of divider of razor blade cartridge dispenser;
FIG. 2 is a front elevational view thereof;
FIG. 3 is a back elevational view thereof;
FIG. 4 is a right side elevational view thereof;
FIG. 5 is a left side elevational view thereof;
FIG. 6 is a top plan view thereof; and,
FIG. 7 is a bottom plan view thereof.

While the ornamental design for a divider is shown in the environment of a dispenser in which the design is repeated four times, the divider of the claimed ornamental design can be used as a single divider or with other numbers of dividers. The environment in which the design is used is a transparent dispenser. Other structures of the dispenser environment that are not shown on the drawings of this application, i.e., structures that can be seen through the walls of the dispenser, are shown in drawings of an application entitled "Razor Blade Cartridge Dispenser" which is being filed concurrently herewith; U.S. Ser. No. 29/067,307.

1 Claim, 3 Drawing Sheets



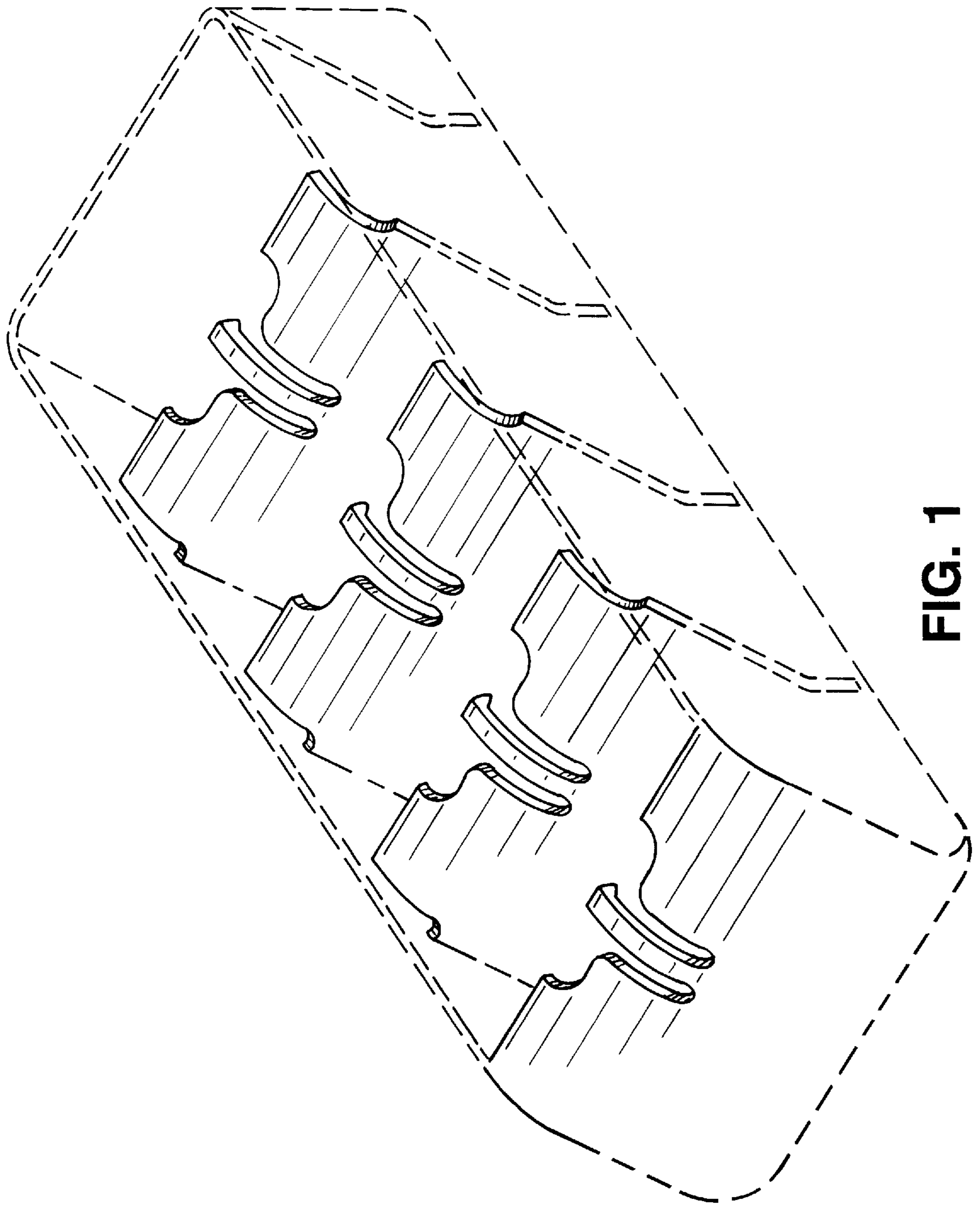


FIG. 1

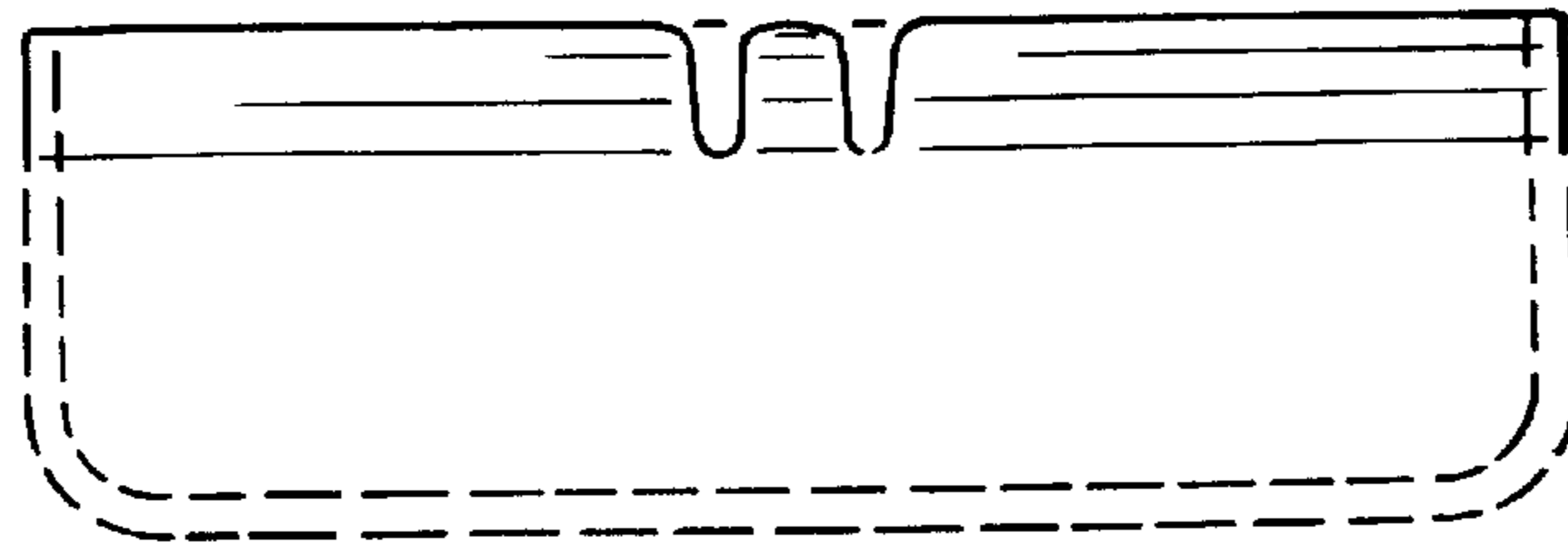


FIG. 2

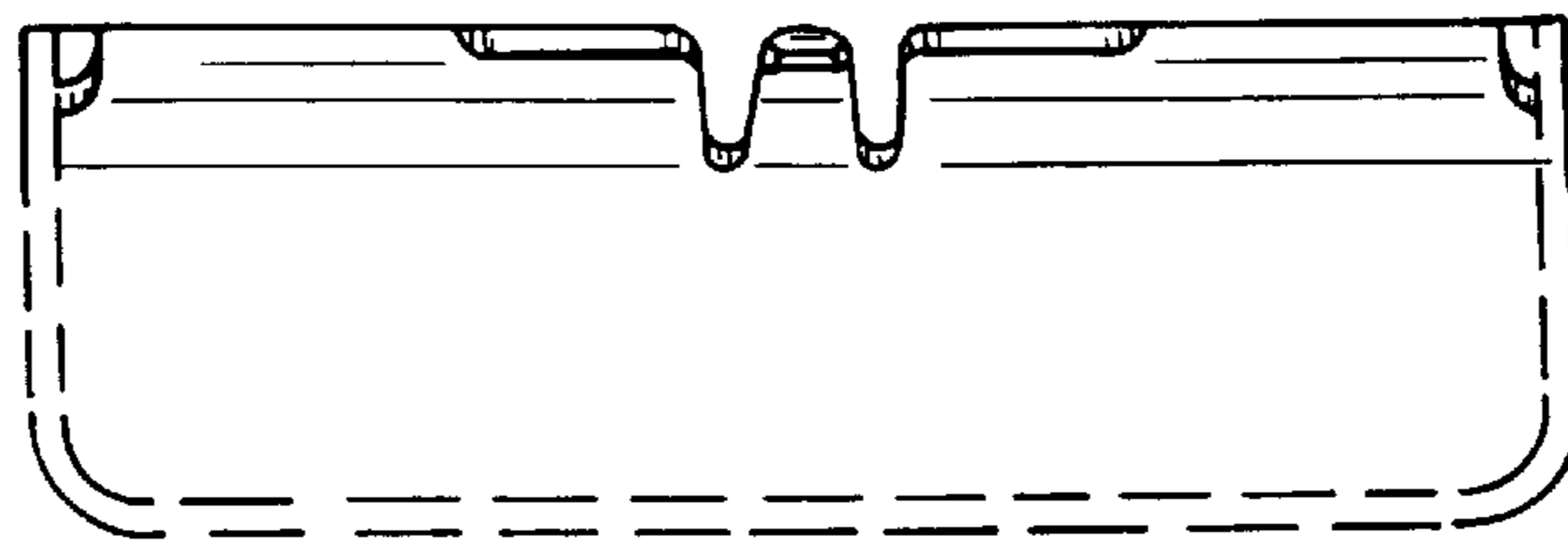


FIG. 3

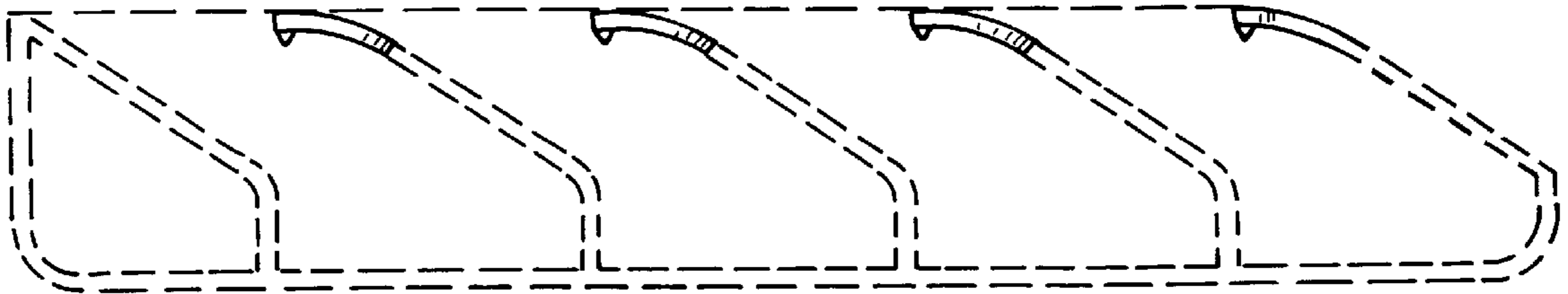


FIG. 4

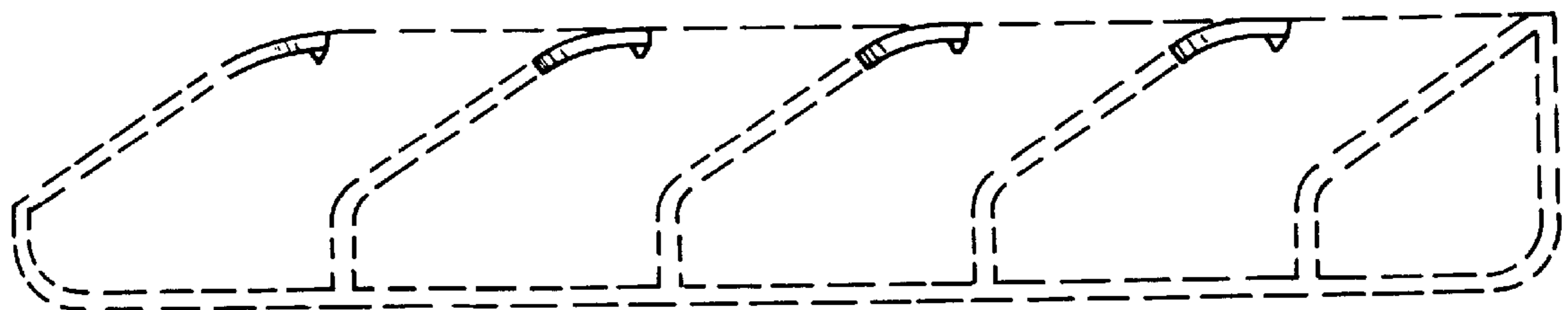


FIG. 5

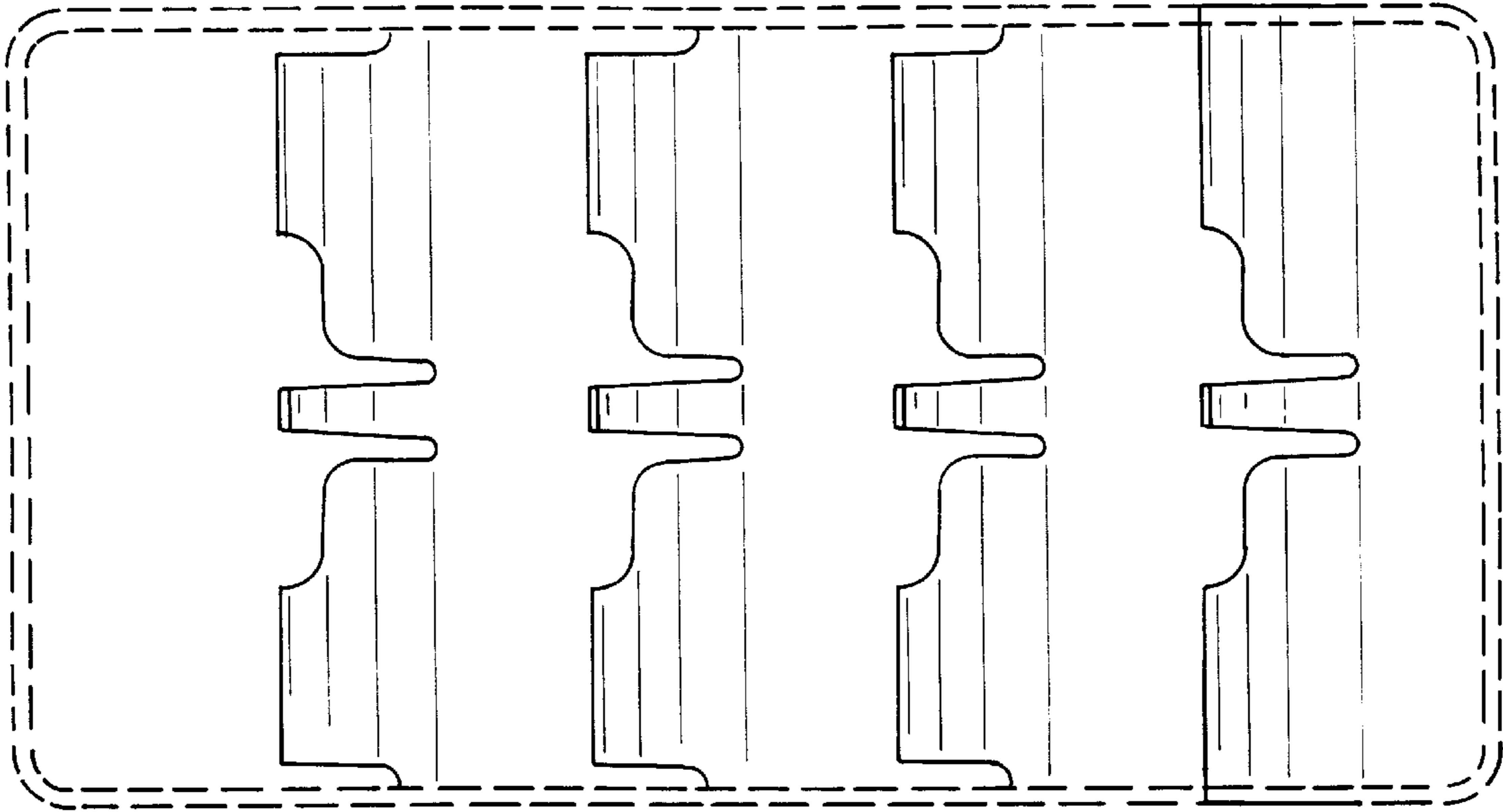


FIG. 6

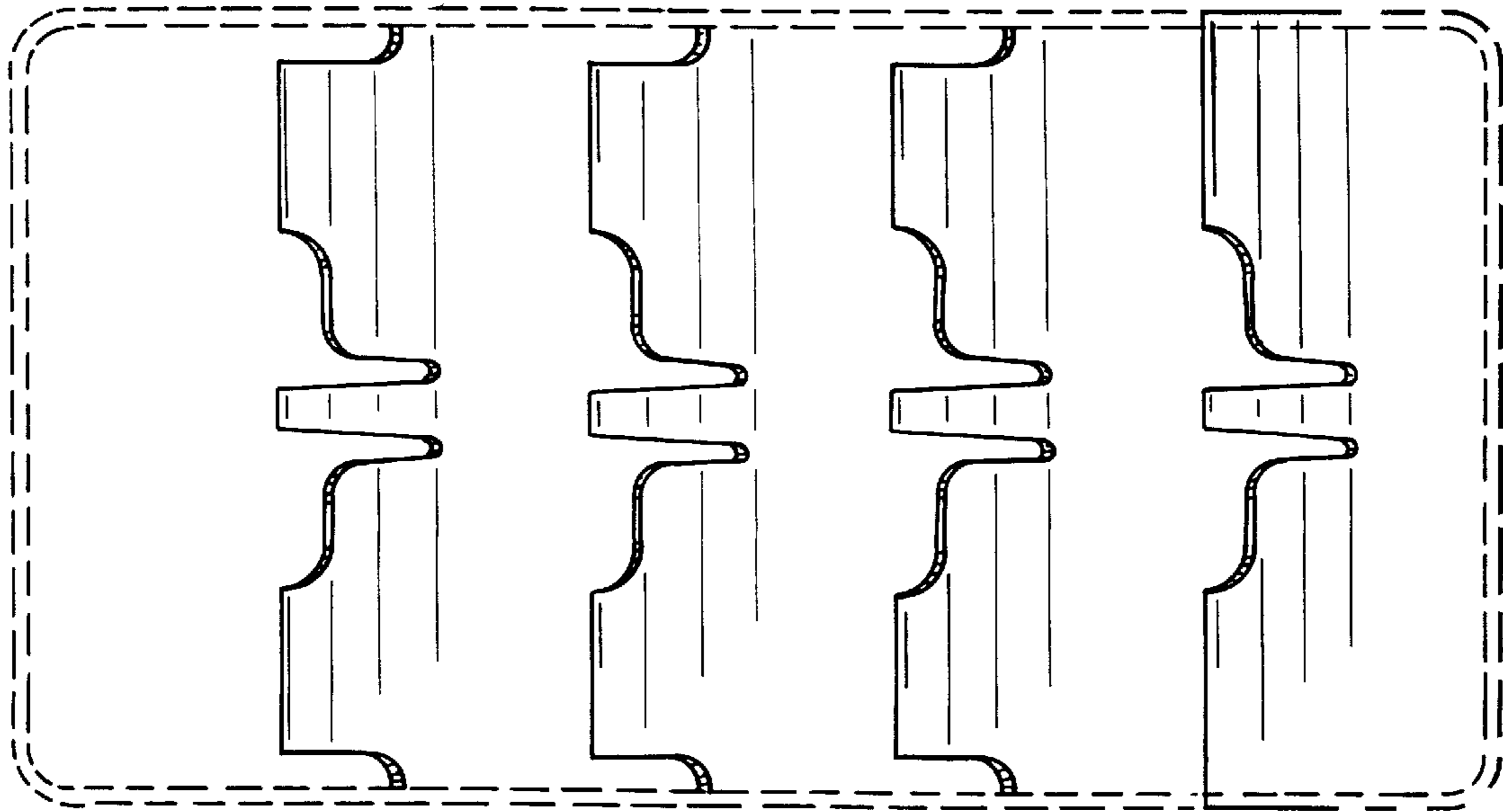


FIG. 7