



US00D398521S

# United States Patent [19] Coe

[11] **Patent Number: Des. 398,521**

[45] **Date of Patent: \*\*Sep. 22, 1998**

[54] **BLISTER PACK PILL DISPENSER**

[75] Inventor: **Matthew Coe, Asbury, N.J.**

[73] Assignee: **PharmaDesign, Inc., Warren, N.J.**

[\*\*] Term: **14 Years**

[21] Appl. No.: **81,026**

[22] Filed: **Dec. 22, 1997**

[51] **LOC (6) Cl. .... 09-03**

[52] **U.S. Cl. .... D9/339; D9/423; D9/346**

[58] **Field of Search** ..... D9/420-424, 341, D9/339, 337, 346, 347, 432; 206/528-539, 472, 45.2, 45.21, 45.22, 45.23, 828, 485; 220/337, 339, 335, 507, 512, 522, 6, 7; D3/201, 203

[56] **References Cited**

**U.S. PATENT DOCUMENTS**

D. 185,265	5/1959	Cudd	.....	D9/423
D. 257,126	9/1980	Johnson	.....	D9/339 X
D. 324,819	3/1992	Eisenberg	.....	D9/339
D. 339,742	9/1993	Walchek, Jr. et al.	.....	D9/423 X
D. 360,359	7/1995	Ledowsky	.....	D9/423
3,567,013	3/1971	Tannenbaum	.....	206/538
3,968,921	7/1976	Jewell	.....	220/337 X
4,890,741	1/1990	Edelstein	.....	206/534
4,919,259	4/1990	Beaulieu	.....	206/45.2

4,955,481	9/1990	Novinski et al.	.....	206/472 X
4,974,729	12/1990	Steinnagel	.....	206/820 X
5,082,113	1/1992	Romick	.....	206/534 X
5,275,291	1/1994	Sledge	.....	206/531

*Primary Examiner*—Prabhakar G. Deshmukh  
*Attorney, Agent, or Firm*—Bryan, Levitin & Bab, LLP

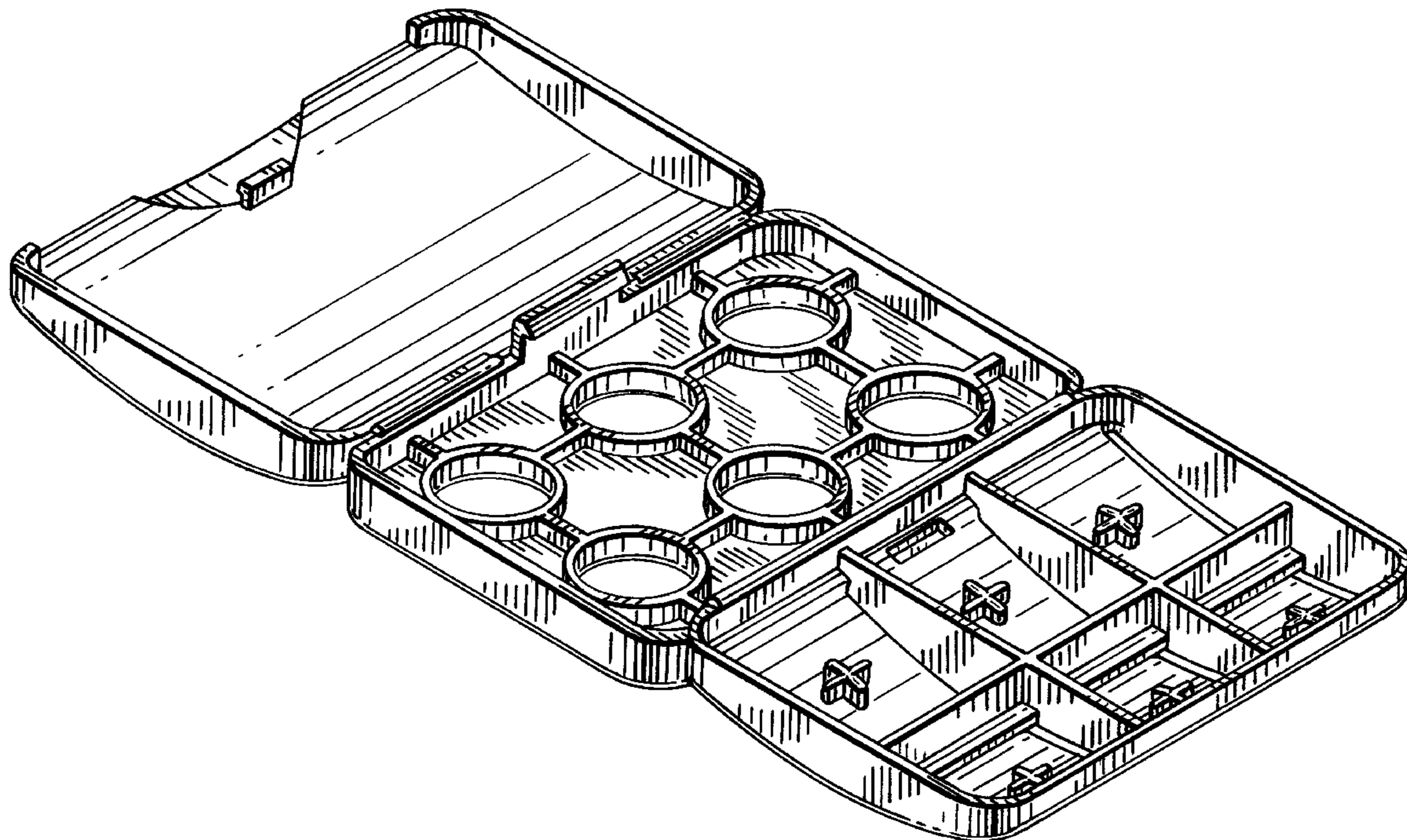
[57] **CLAIM**

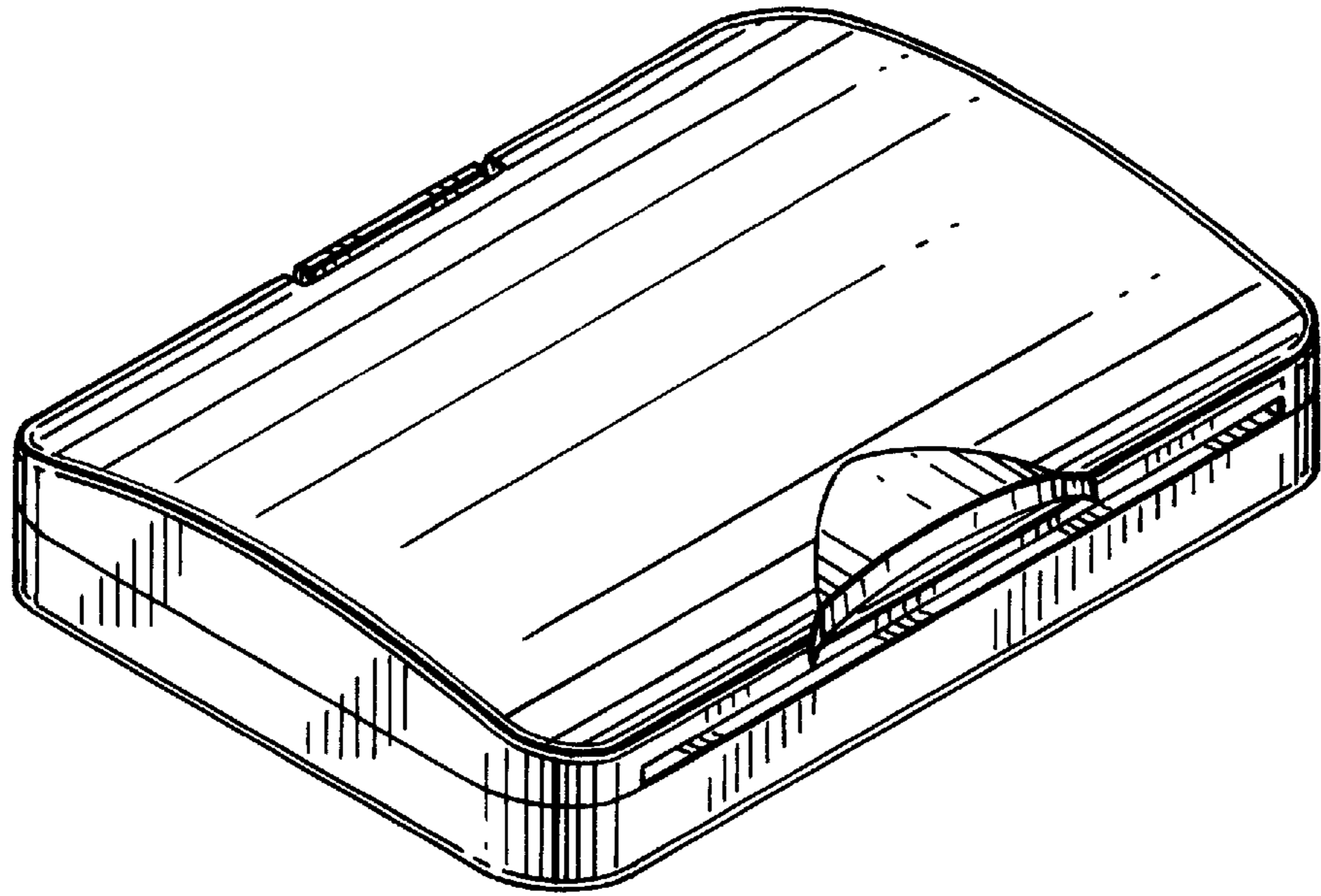
The ornamental design for a blister pack pill dispenser, as shown and described.

**DESCRIPTION**

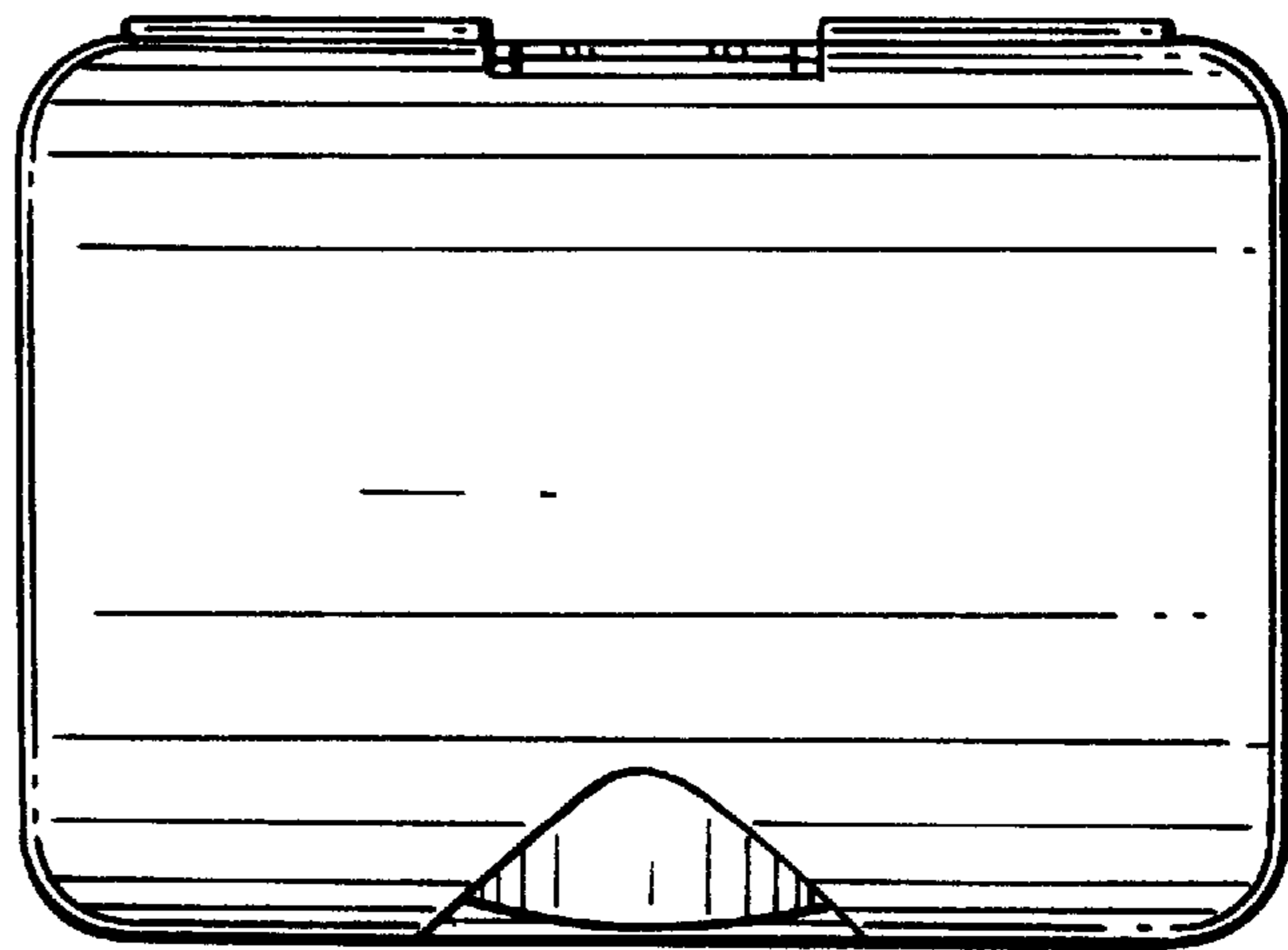
FIG. 1 is a top, front and left side perspective view of a blister pack pill dispenser showing my new design; FIG. 2 is a top plan view of the blister pack pill dispenser; FIG. 3 is a right side elevation view thereof; FIG. 4 is a front elevation view thereof; FIG. 5 is a rear elevation view thereof; FIG. 6 is a bottom plan view thereof; FIG. 7 is a top, front and left side perspective view thereof in a partially opened condition; FIG. 8 is a top, front and left side perspective view thereof in a fully opened condition; and, FIG. 9 is a top, front and left side perspective view of an alternative embodiment thereof in a fully opened condition. The corresponding views of the second embodiment (FIG. 9) are similar to as disclosed in FIGS. 1-14 7 of the first embodiment (FIG. 1).

**1 Claim, 4 Drawing Sheets**





*FIG. 1*



*FIG. 2*

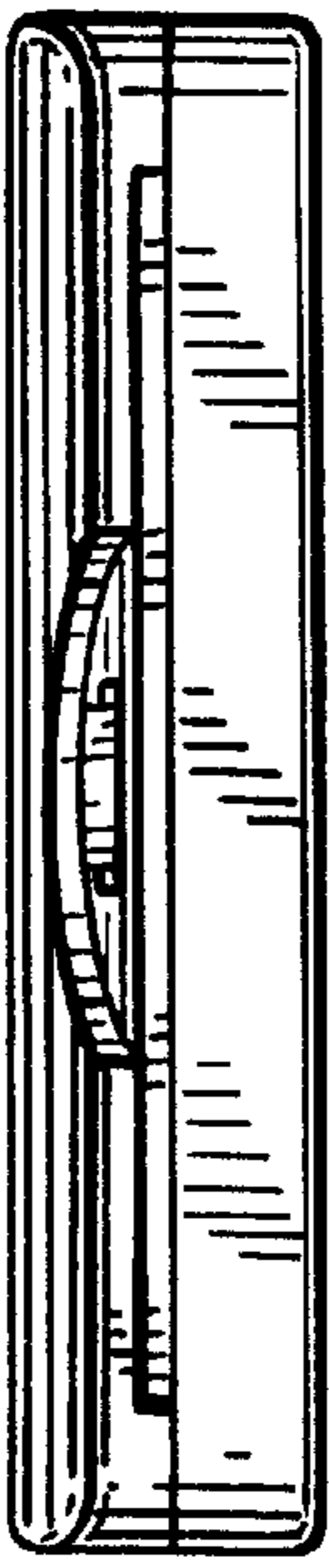


FIG. 4

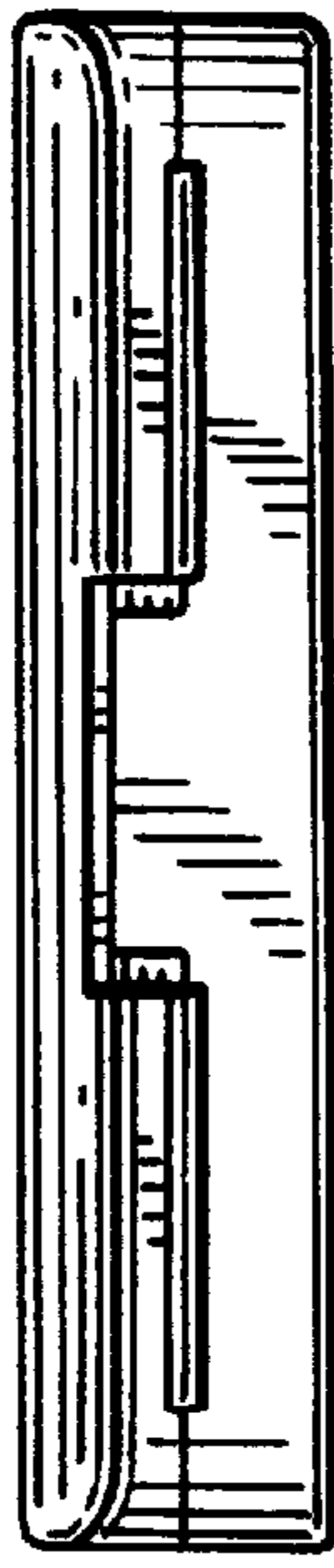


FIG. 5

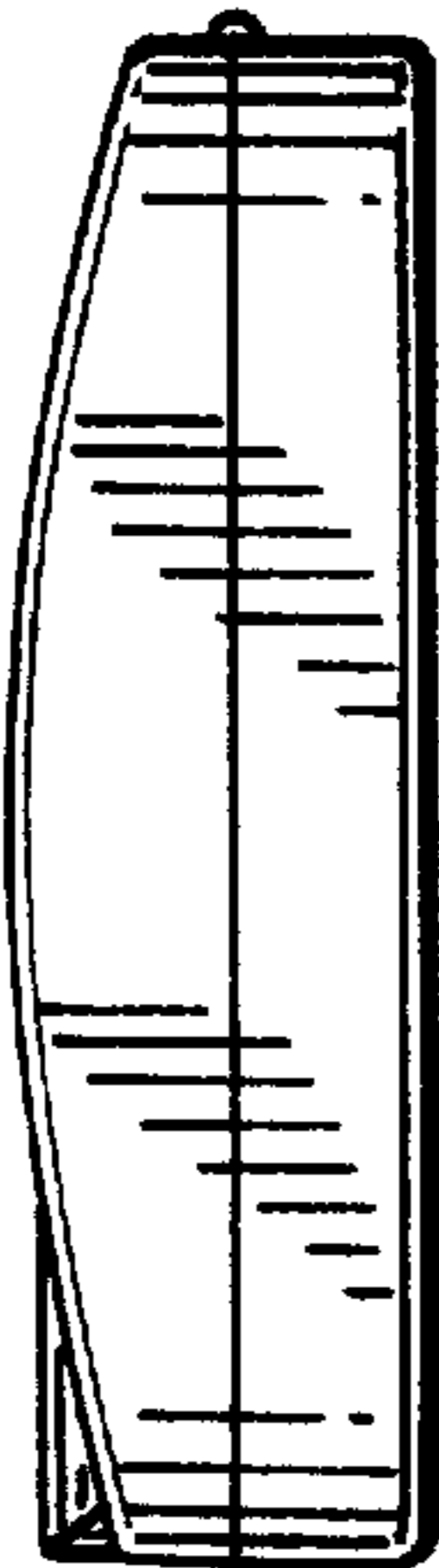


FIG. 3

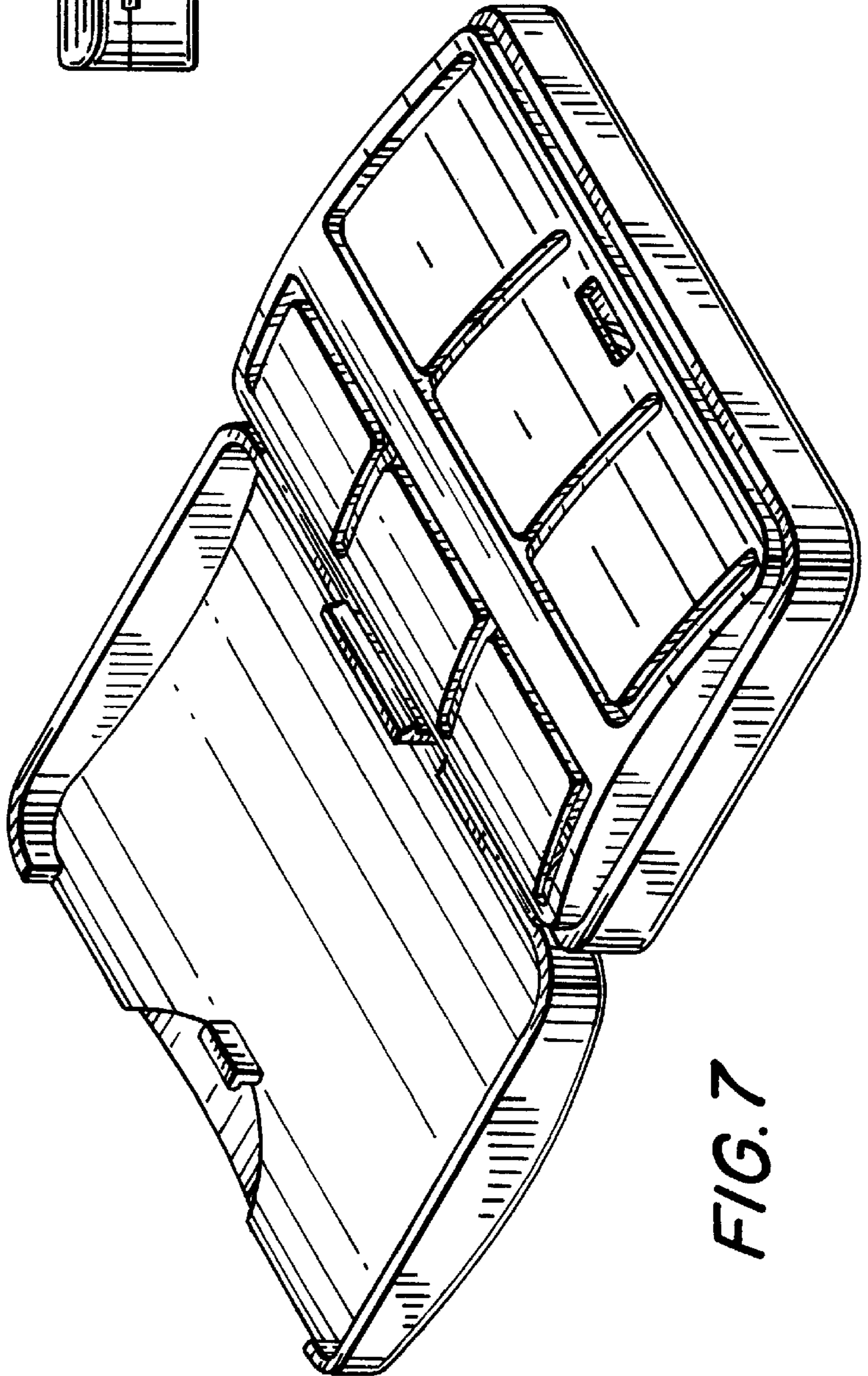


FIG. 7

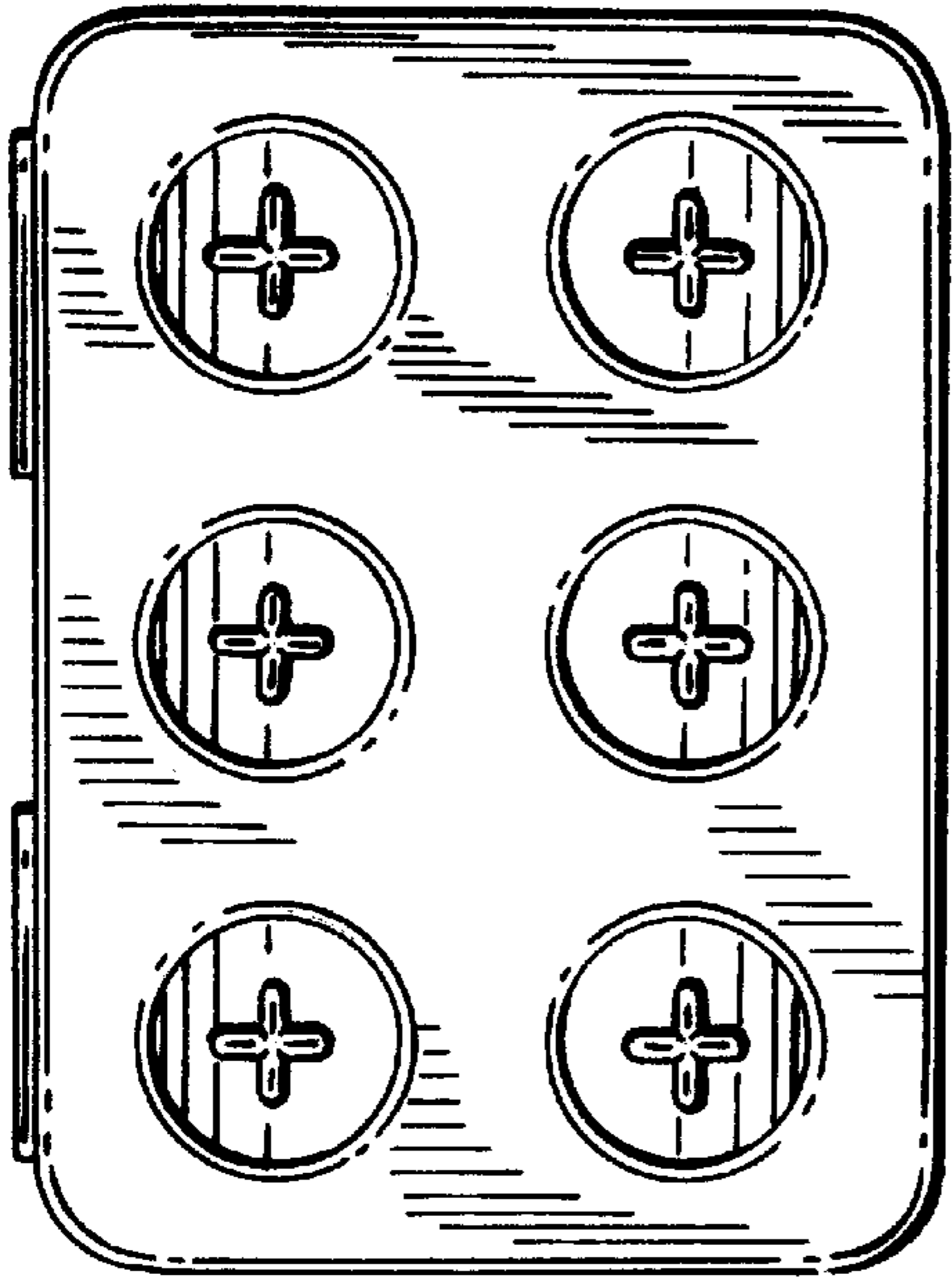


FIG. 6

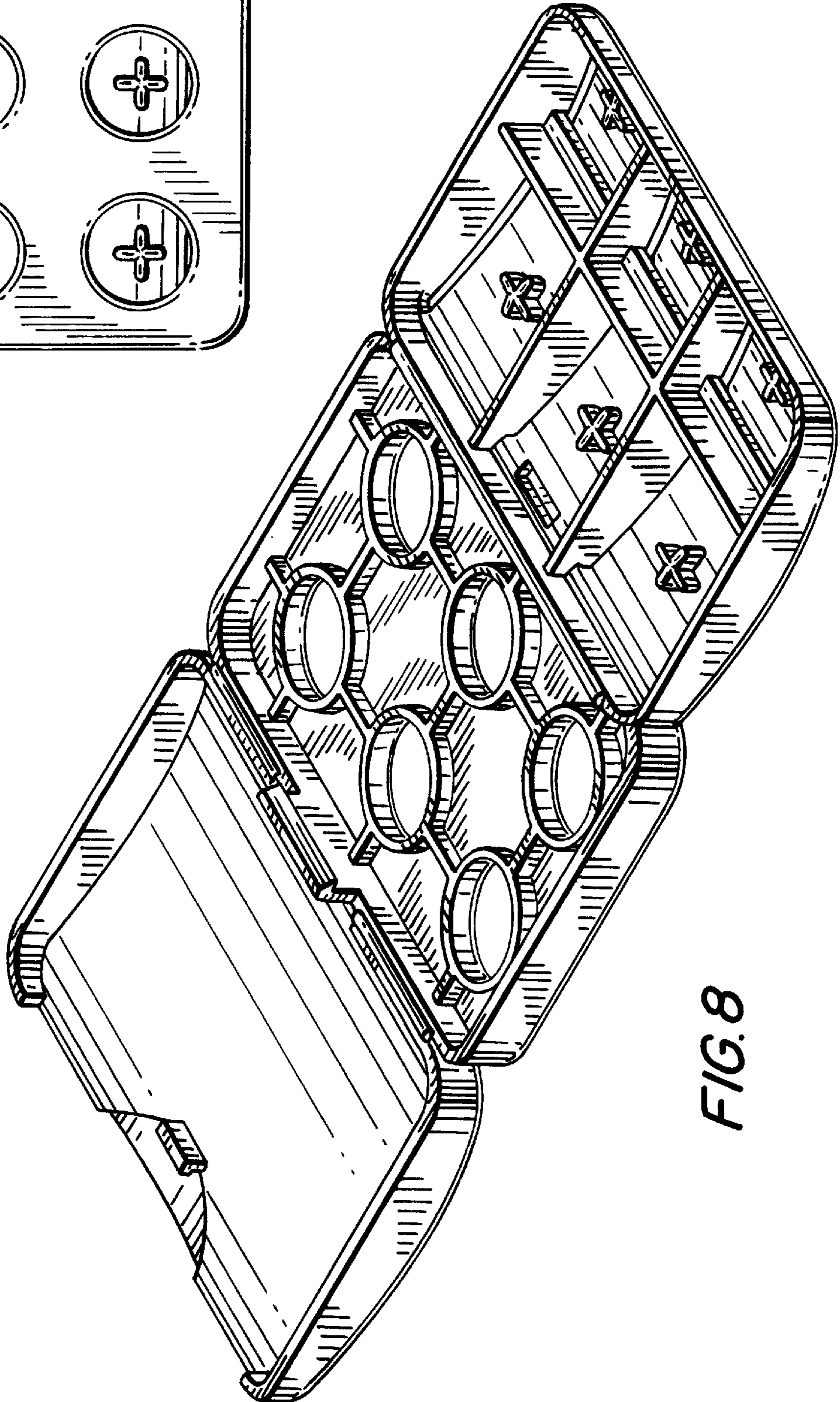


FIG. 8

FIG. 9

