



US00D398514S

United States Patent [19]
Anderson

[11] **Patent Number: Des. 398,514**

[45] **Date of Patent: **Sep. 22, 1998**

[54] **STAKE FOR ANCHORING A BEACH
BLANKET**

3,754,360 8/1973 Herr 135/118 X
5,101,525 4/1992 Ippolito 5/417
5,524,309 6/1996 La Barbera 5/417

[76] Inventor: **Stephen K. Anderson**, 1018 Meridian
Ave., Apt. 6, Miami Beach, Fla. 33139

Primary Examiner—Holly Baynham
Attorney, Agent, or Firm—Frank L. Kubler

[**] Term: **14 Years**

[57] **CLAIM**

[21] Appl. No.: **76,521**

The ornamental design for a stake for anchoring a beach
blanket, as shown and described.

[22] Filed: **Sep. 12, 1997**

DESCRIPTION

[51] **LOC (6) Cl.** **08-05**

[52] **U.S. Cl.** **D8/349**

[58] **Field of Search** D21/255; 5/417;
248/545; 135/118; D30/154; D8/1

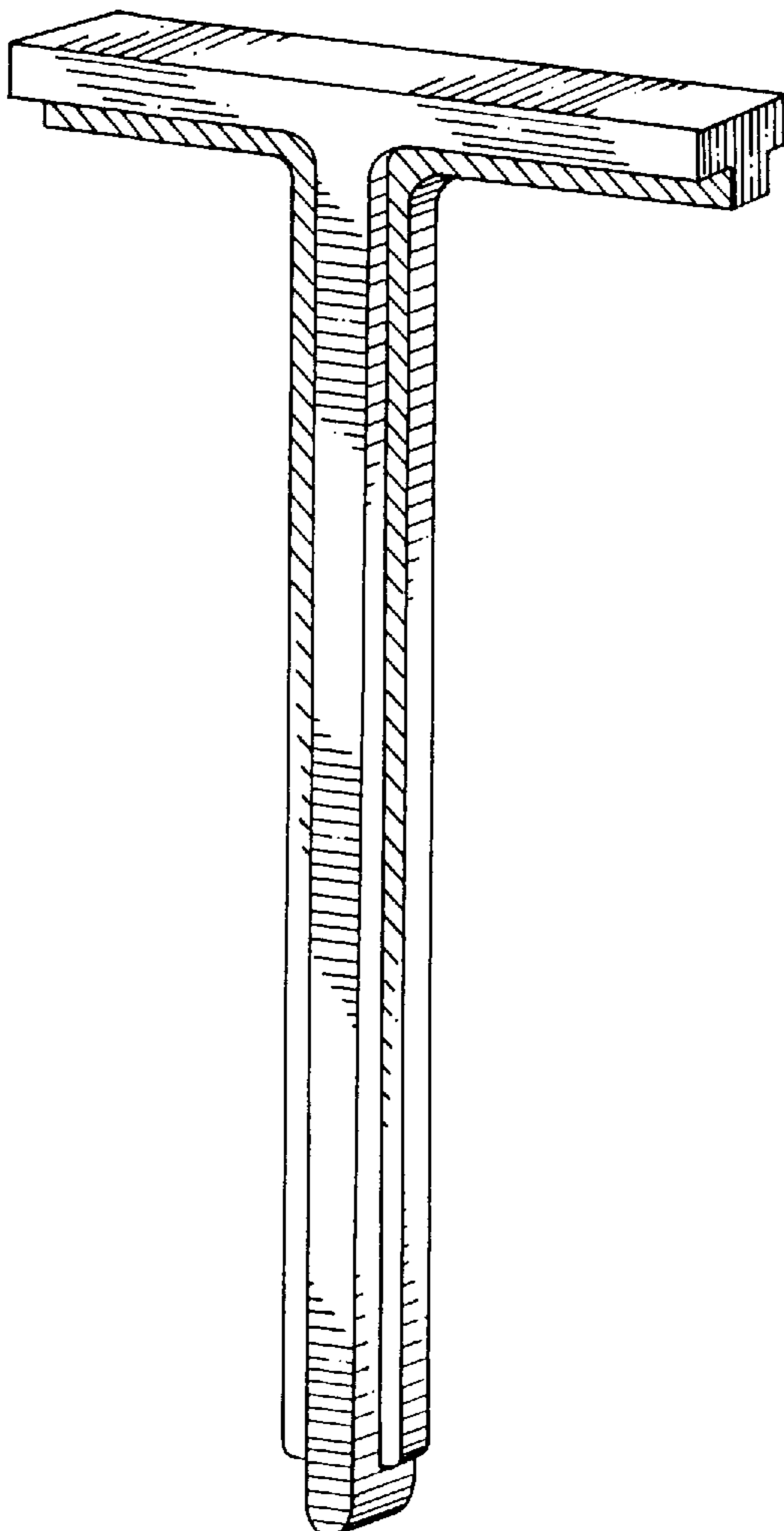
FIG. 1 is a perspective view of the design;
FIG. 2 is a front view of FIG. 1;
FIG. 3 is a top plan view;
FIG. 4 is a left side view;
FIG. 5 is a front view;
FIG. 6 is a right side view; and,
FIG. 7 is a bottom plan view.

[56] **References Cited**

U.S. PATENT DOCUMENTS

D. 209,439 11/1967 Diederich D21/255
D. 341,755 11/1993 Zeman D8/1

1 Claim, 2 Drawing Sheets



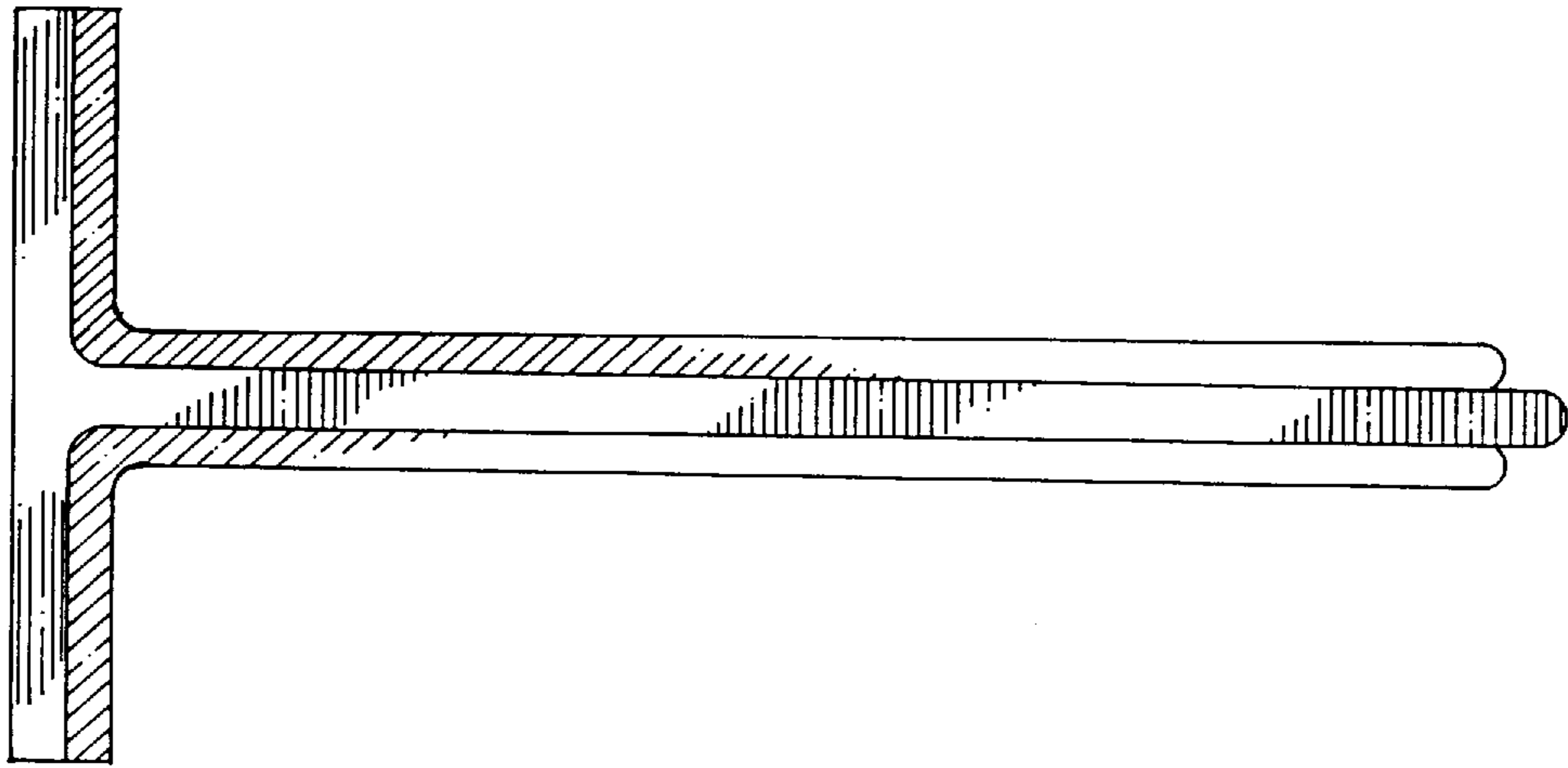


FIG. 2

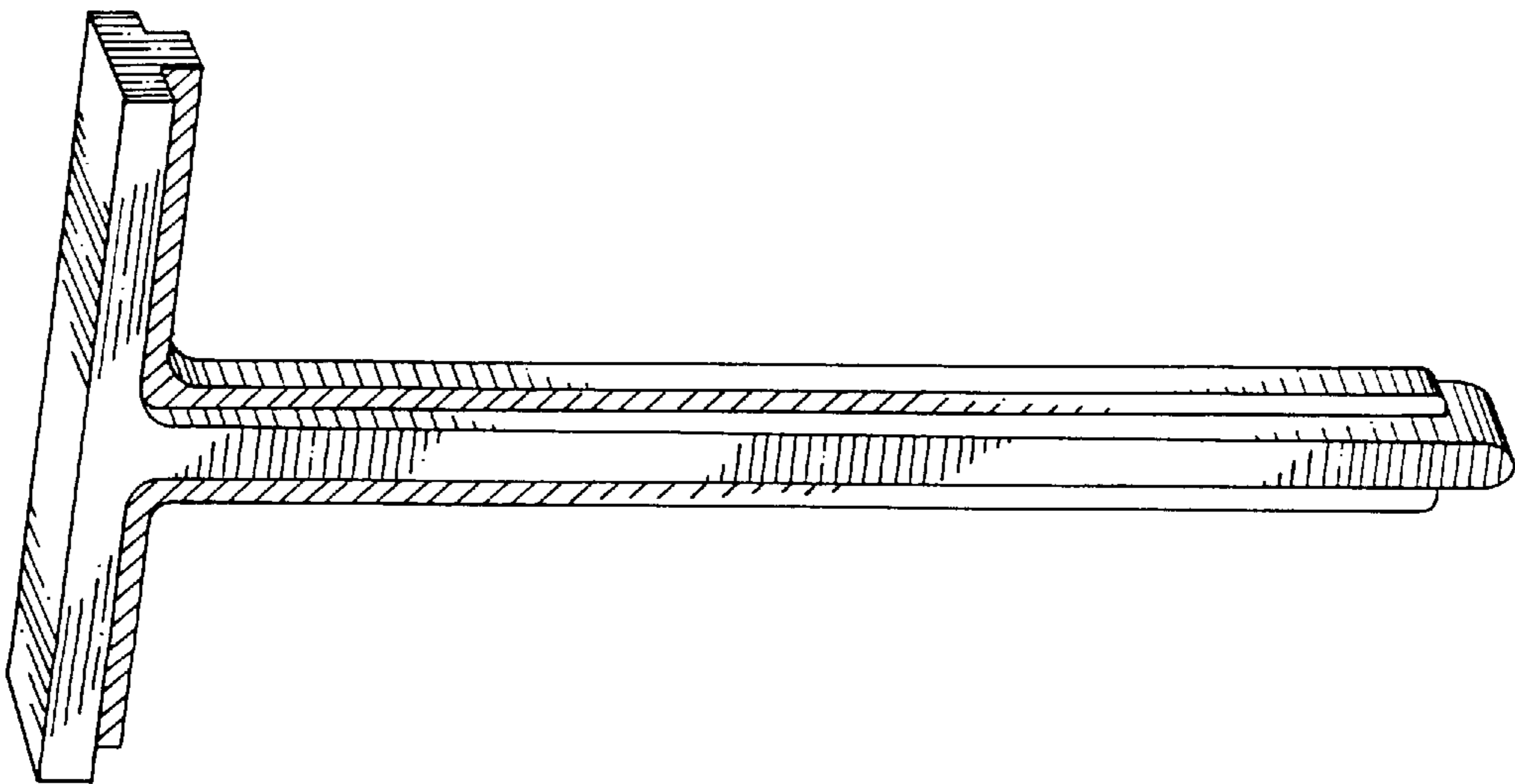


FIG. 1

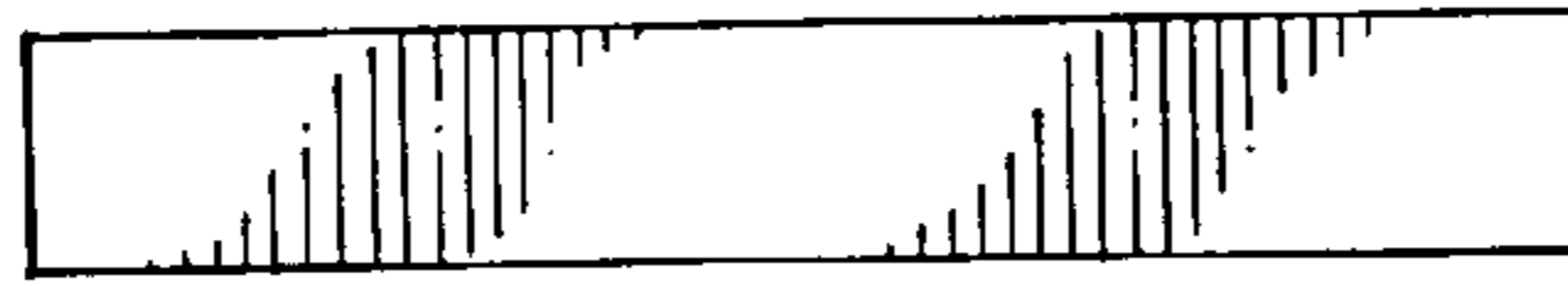


FIG. 3

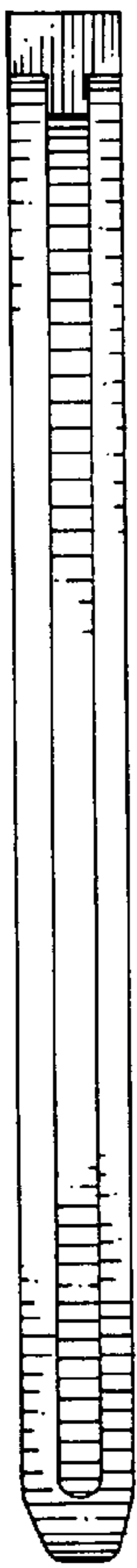


FIG. 4

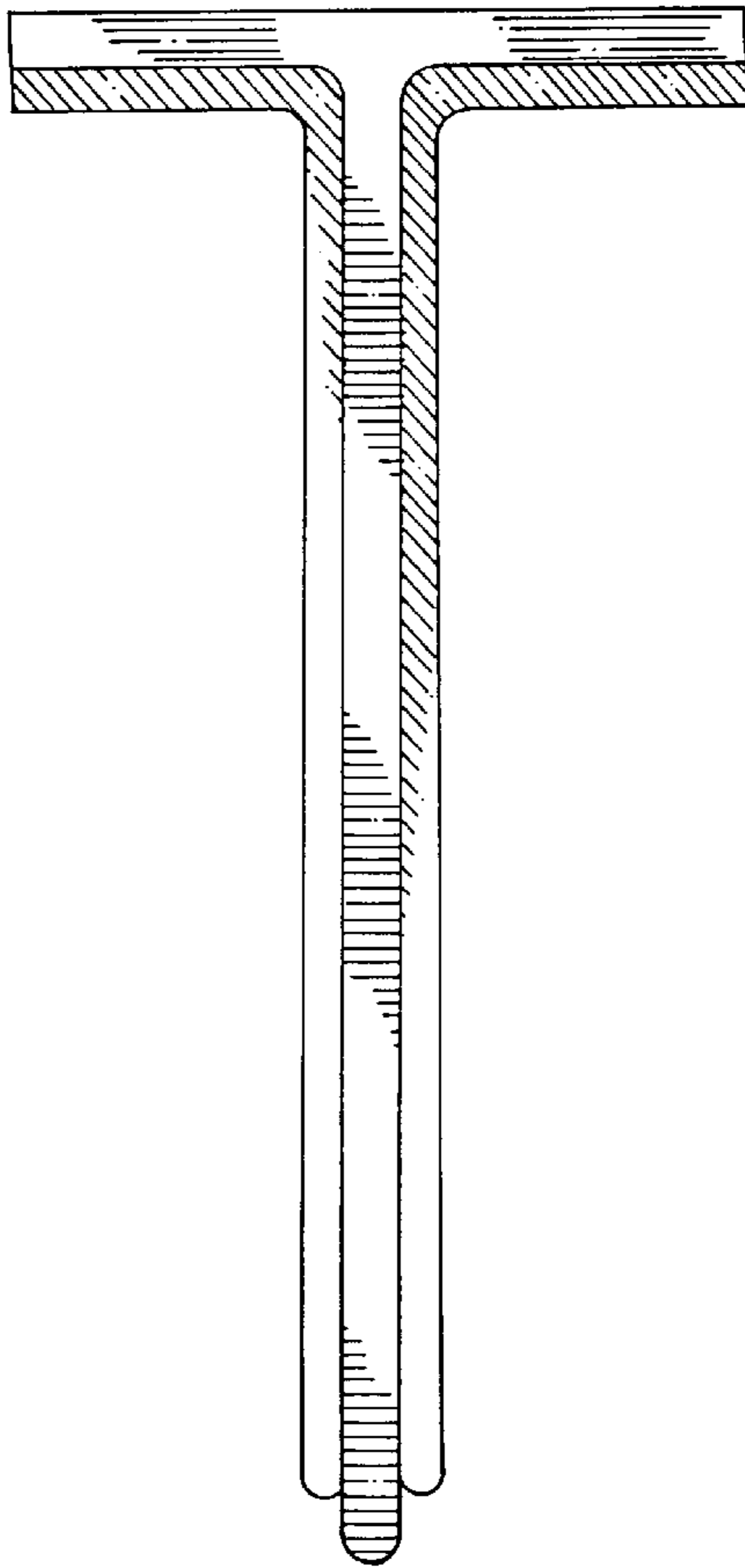


FIG. 5



FIG. 6



FIG. 7