



US00D398511S

United States Patent [19]

Fortin et al.

[11] Patent Number: Des. 398,511

[45] Date of Patent: **Sep. 22, 1998

[54] ROTARY HANDLE

[75] Inventors: **Marc A. Fortin**, Brockville; **Murray D. Hunter**, Smith Falls, both of Canada; **Roberta Scheiner Hall**, Sparks; **Robert I. Somers**, Reisterstown, both of Md.

[73] Assignee: **Black & Decker Inc.**, Newark, Del.

[**] Term: **14 Years**

[21] Appl. No.: **55,764**

[22] Filed: **Jun. 12, 1996**

[51] LOC (6) Cl. **08-06**

[52] U.S. Cl. **D8/307; D8/309**

[58] Field of Search D8/307, 309, 359; D15/142; 74/545, 553, 557; 16/110 R

[56] References Cited

U.S. PATENT DOCUMENTS

D. 32,196	2/1900	See	D15/142
D. 289,370	4/1987	Bertani	D8/309
D. 369,966	5/1996	Decursu et al.	D8/309
D. 373,299	9/1996	Hall et al.	D8/309
816,508	3/1906	Snow	.	

Primary Examiner—B. J. Bullock

Attorney, Agent, or Firm—Charles E. Yocum; Dennis A. Dearing; John D. Del Ponti

[57] CLAIM

The ornamental design for a rotary handle, as shown and described.

DESCRIPTION

FIG. 1 is an upper front perspective view of the first embodiment of a rotary handle in accordance with the invention disclosed and claimed herein;

FIG. 2 is a front elevational view of the rotary handle of FIG. 1;

FIG. 3 is a left-side elevational view of the rotary handle of FIG. 1;

FIG. 4 is a right-side elevational view of the rotary handle of FIG. 1;

FIG. 5 is a top plan view of the rotary handle of FIG. 1;

FIG. 6 is a bottom plan view of the rotary handle of FIG. 1;

FIG. 7 is an upper front perspective view of a second embodiment of the rotary handle in accordance with the invention disclosed and claimed herein;

FIG. 8 is a front elevation view of the rotary handle of FIG. 7;

FIG. 9 is a left side elevation view of the rotary handle of FIG. 7;

FIG. 10 is a right side elevation view of the rotary handle of FIG. 7;

FIG. 11 is a top plan view of the rotary handle of FIG. 7; and,

FIG. 12 is a bottom plan view of the rotary handle of FIG. 7.

1 Claim, 8 Drawing Sheets

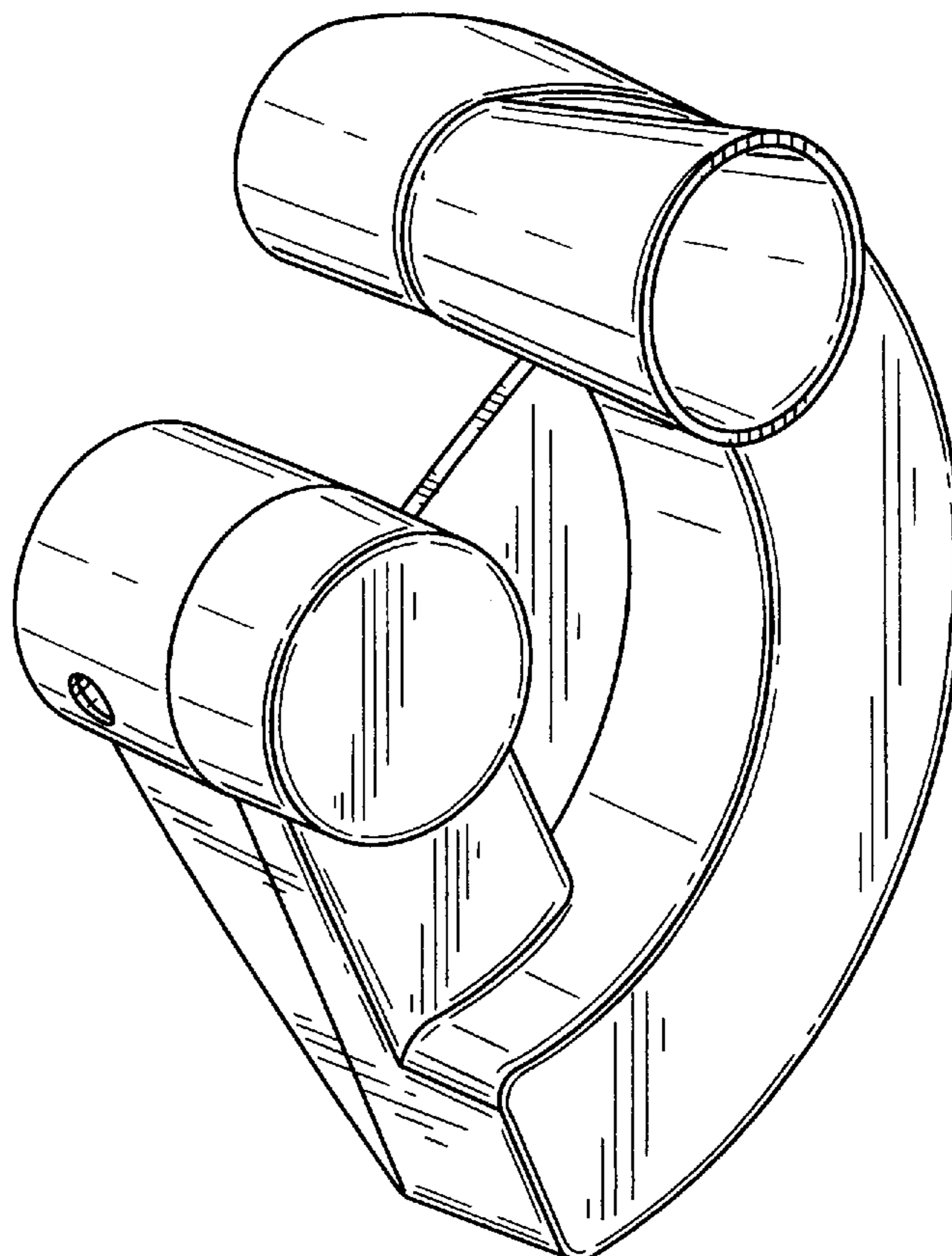
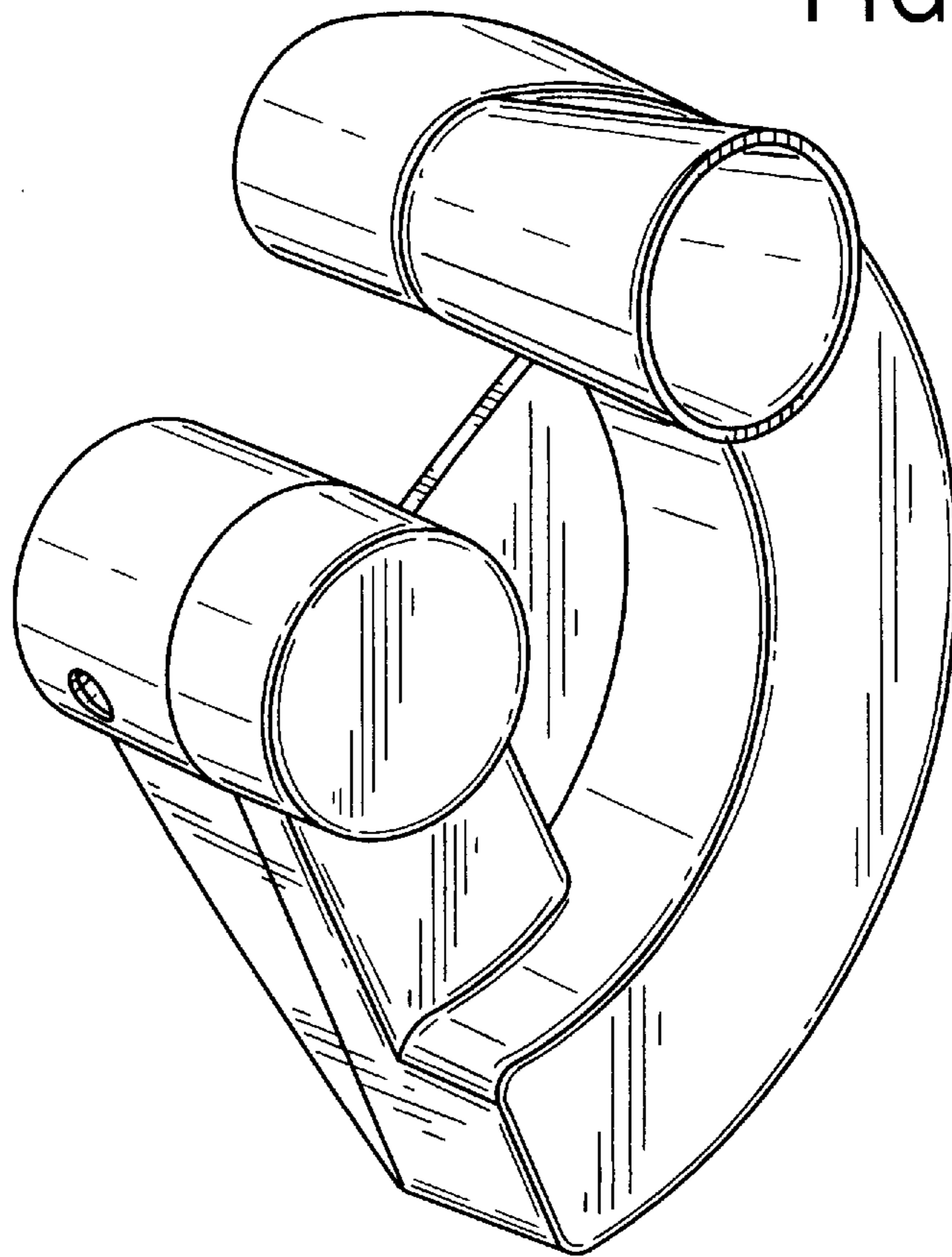


FIG. 1



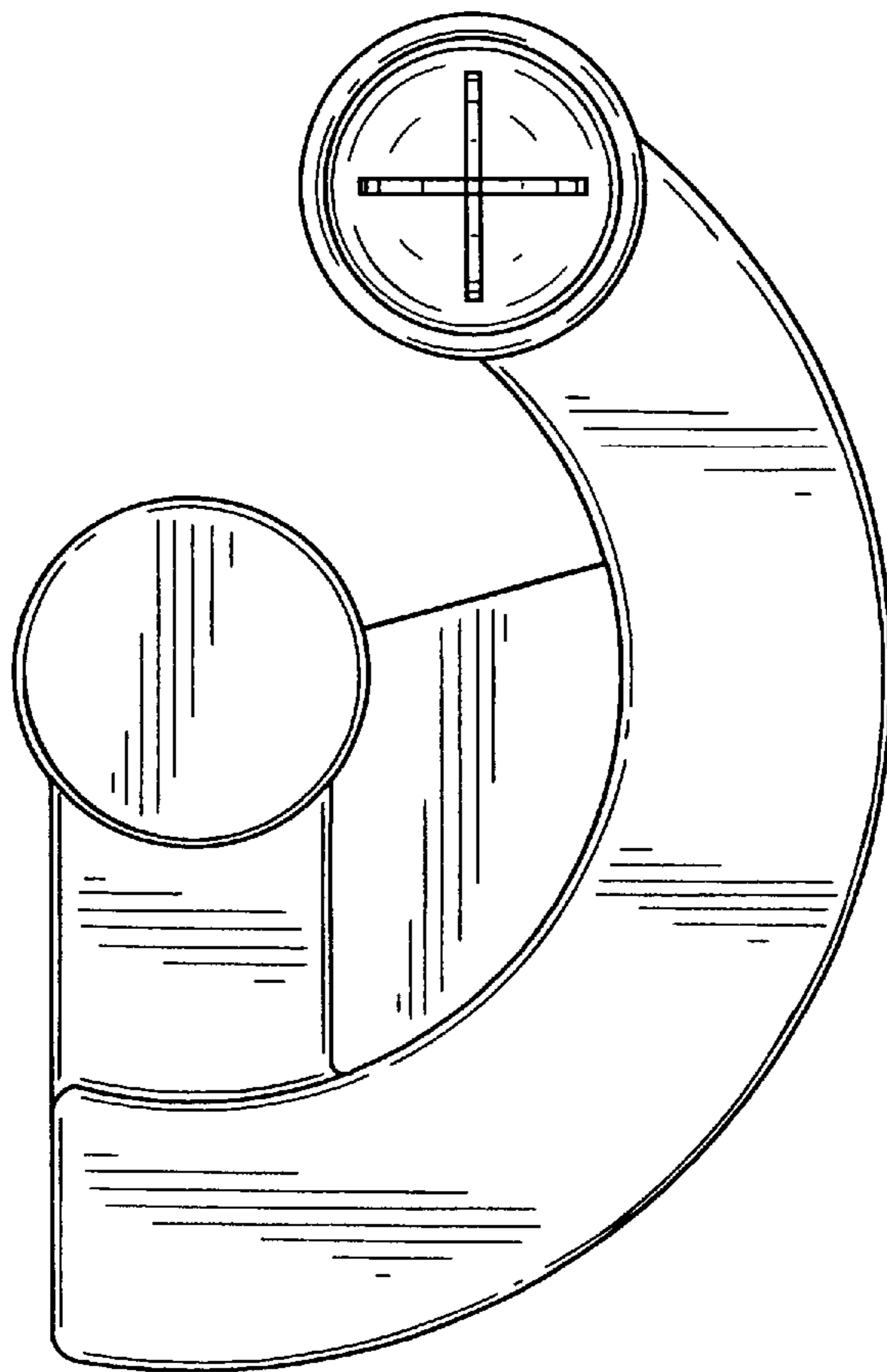


FIG. 2

FIG. 3

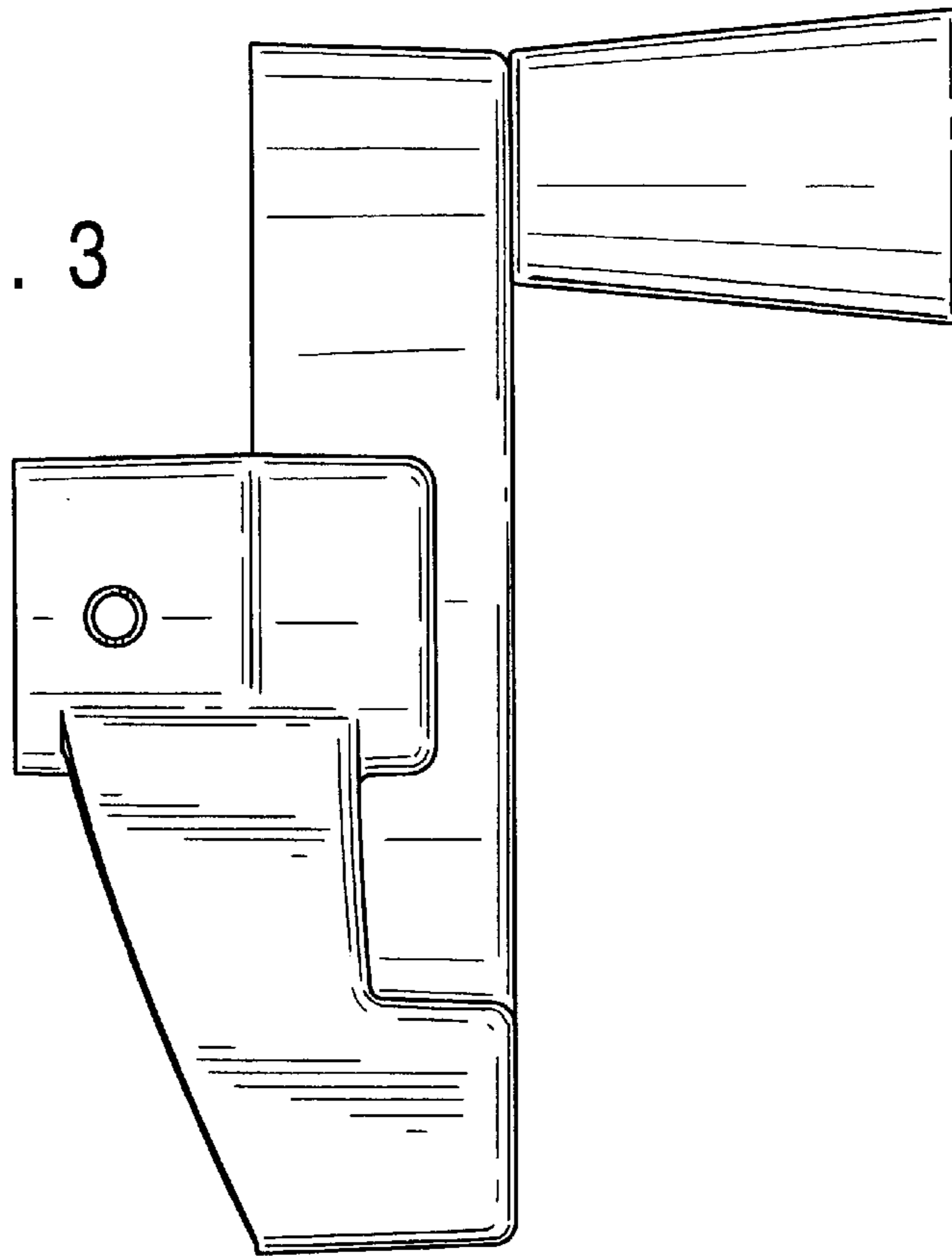


FIG. 4

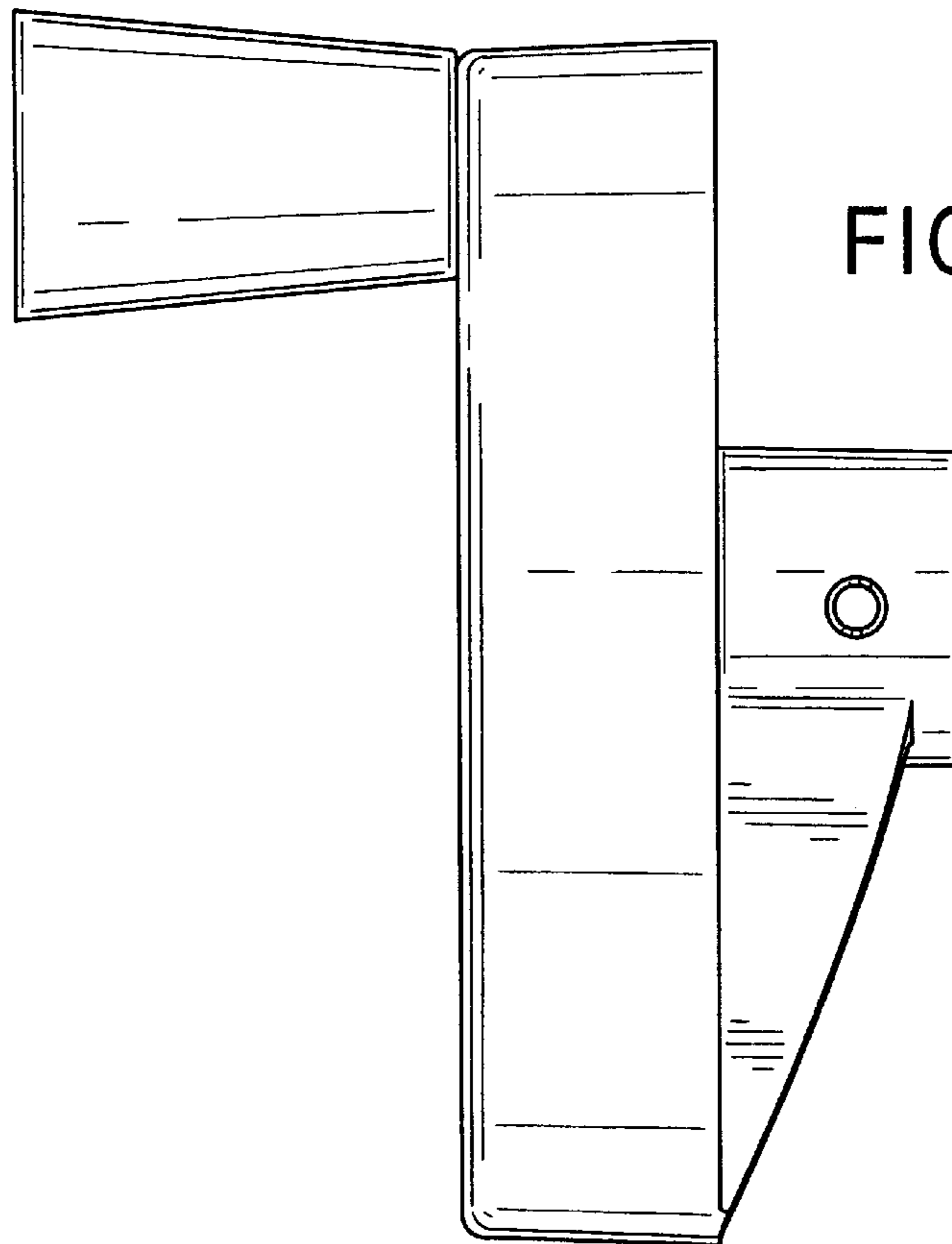


FIG. 5

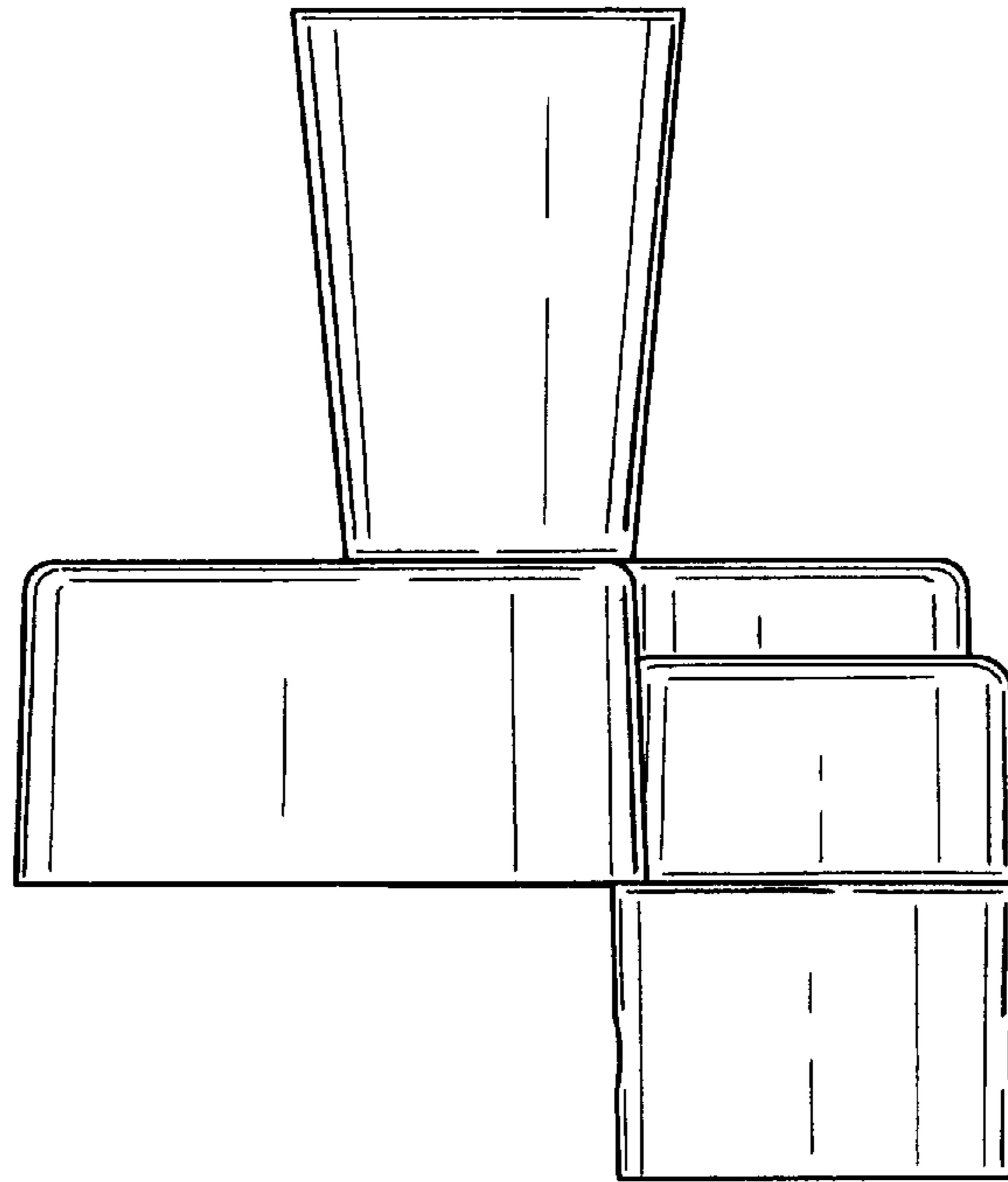


FIG. 6

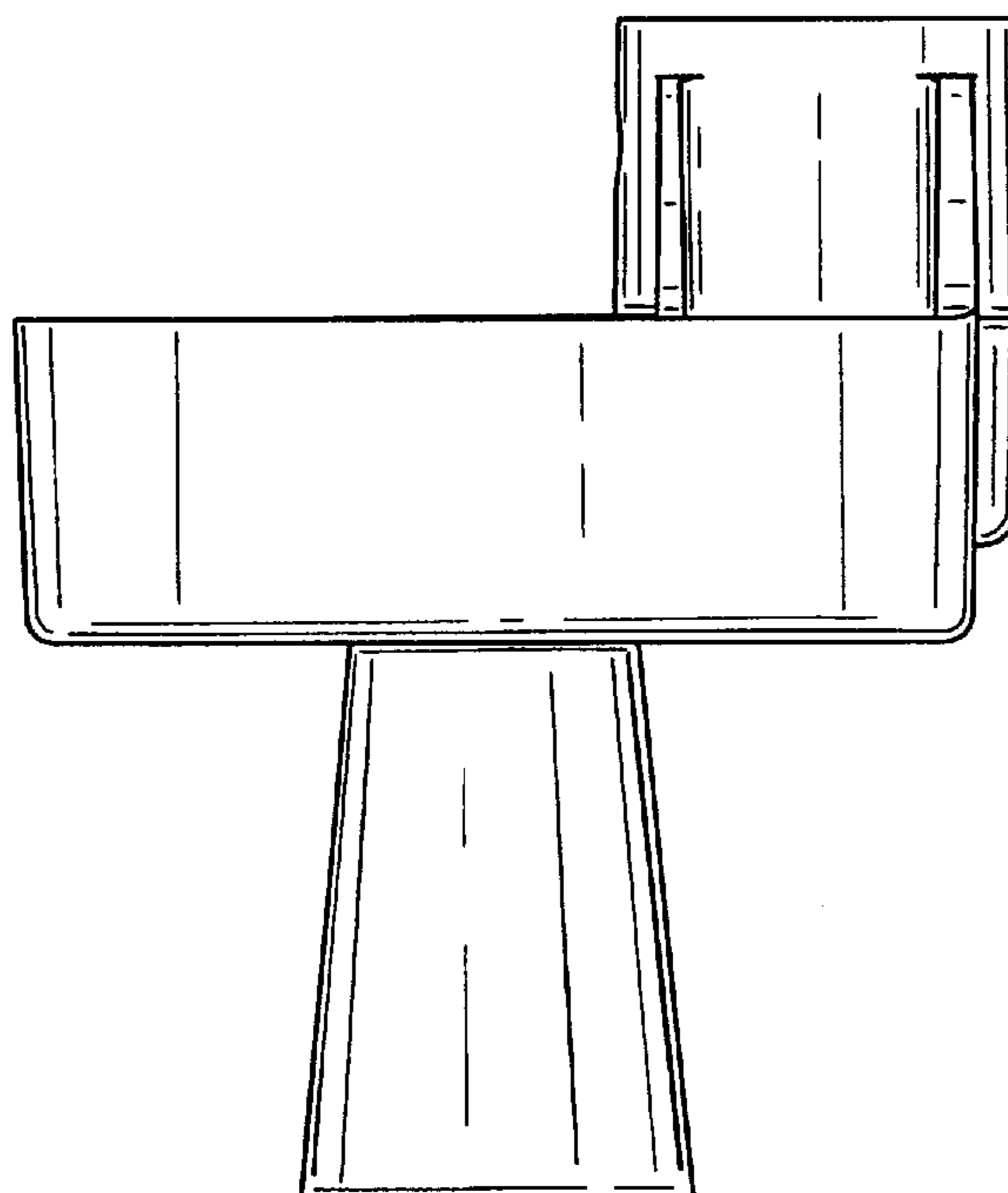
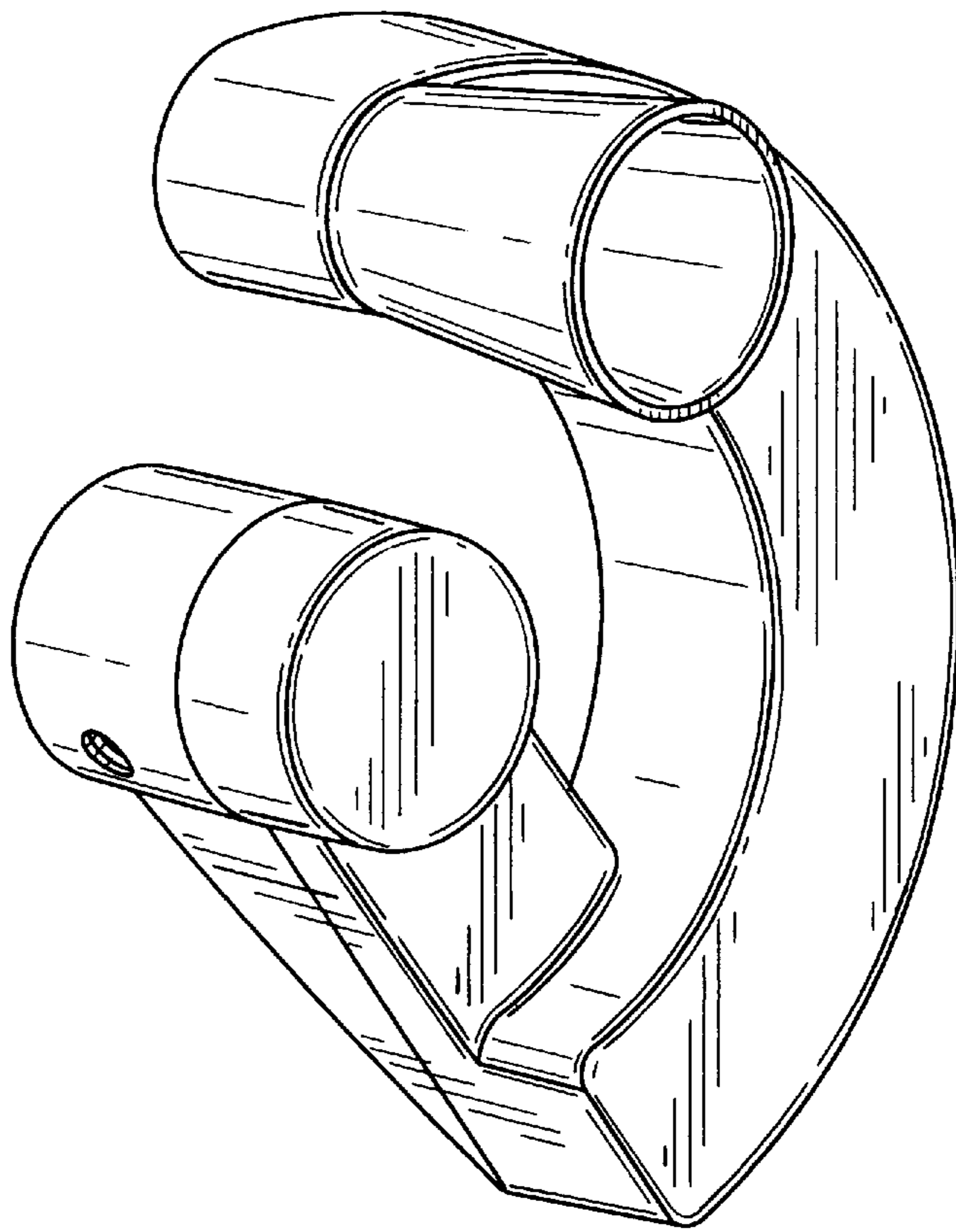


FIG. 7



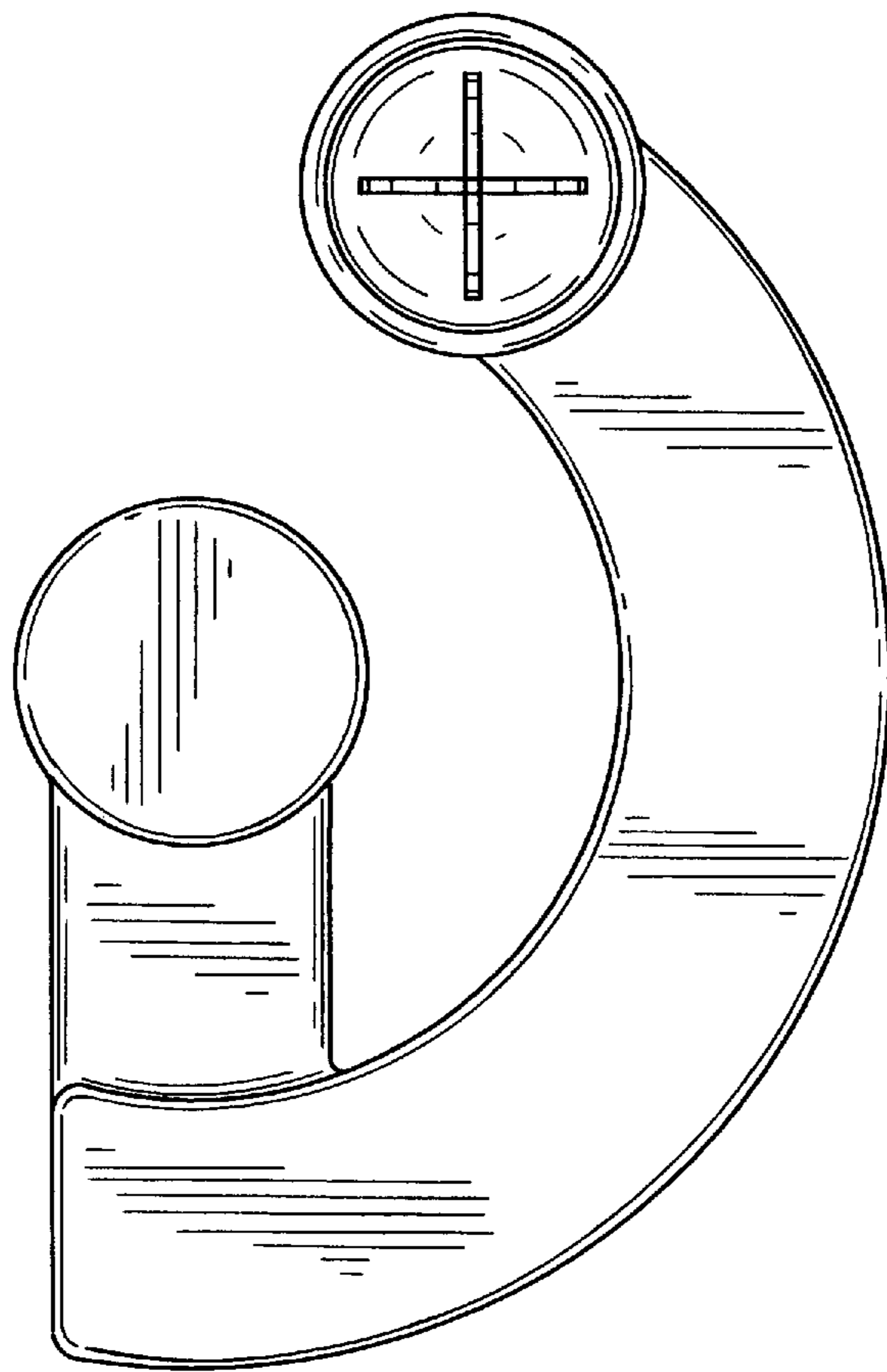


FIG. 8

FIG. 9

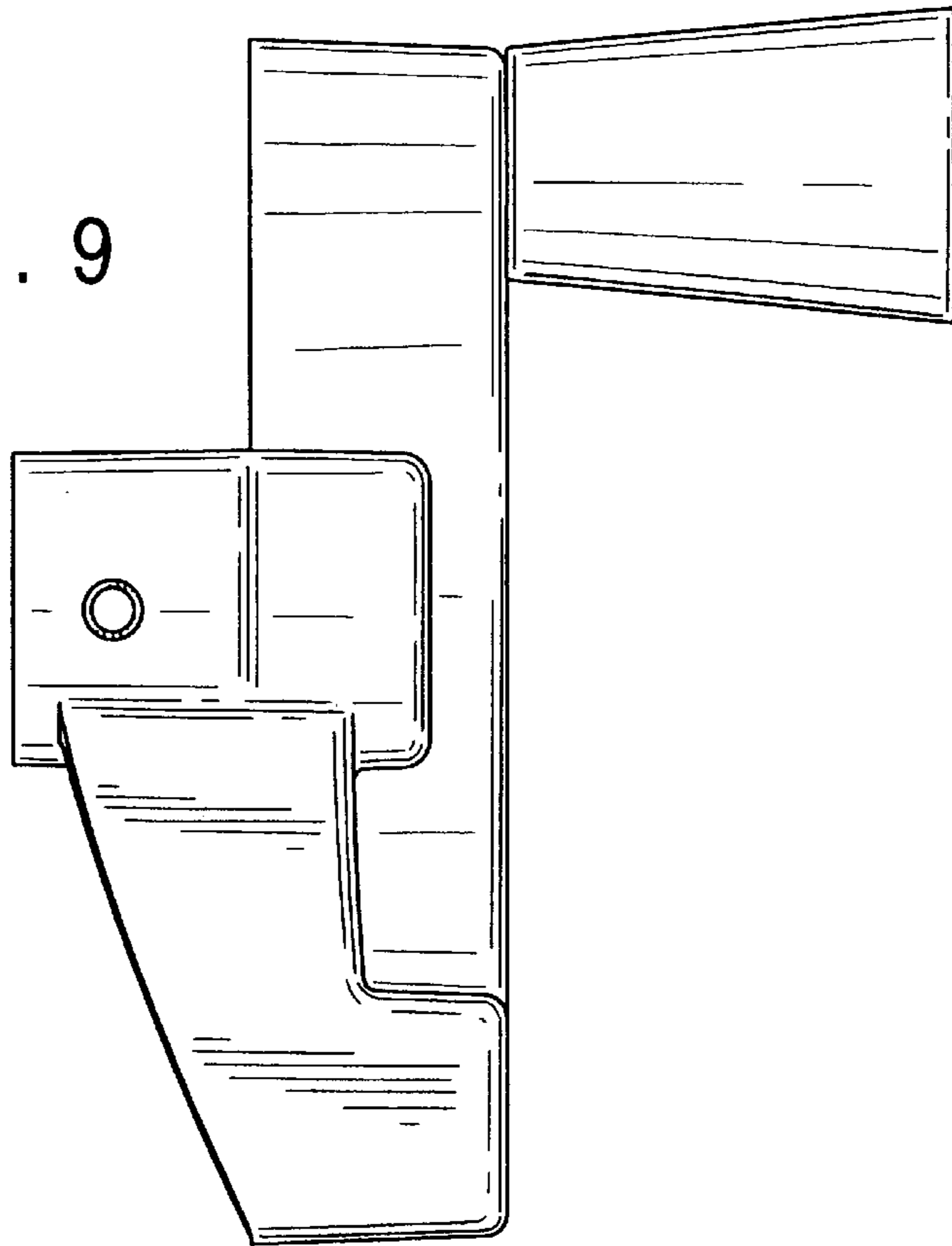


FIG. 10

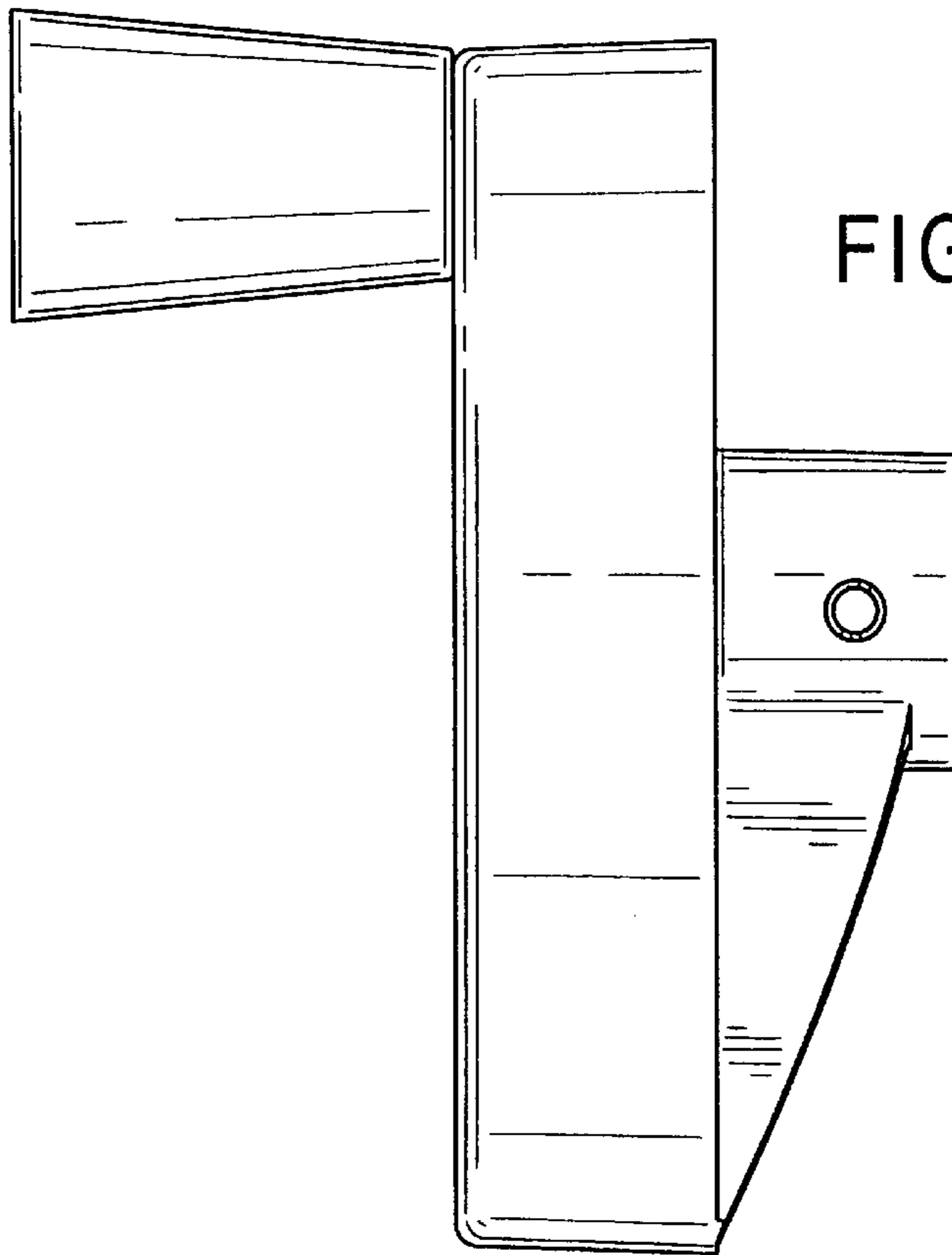


FIG. 11

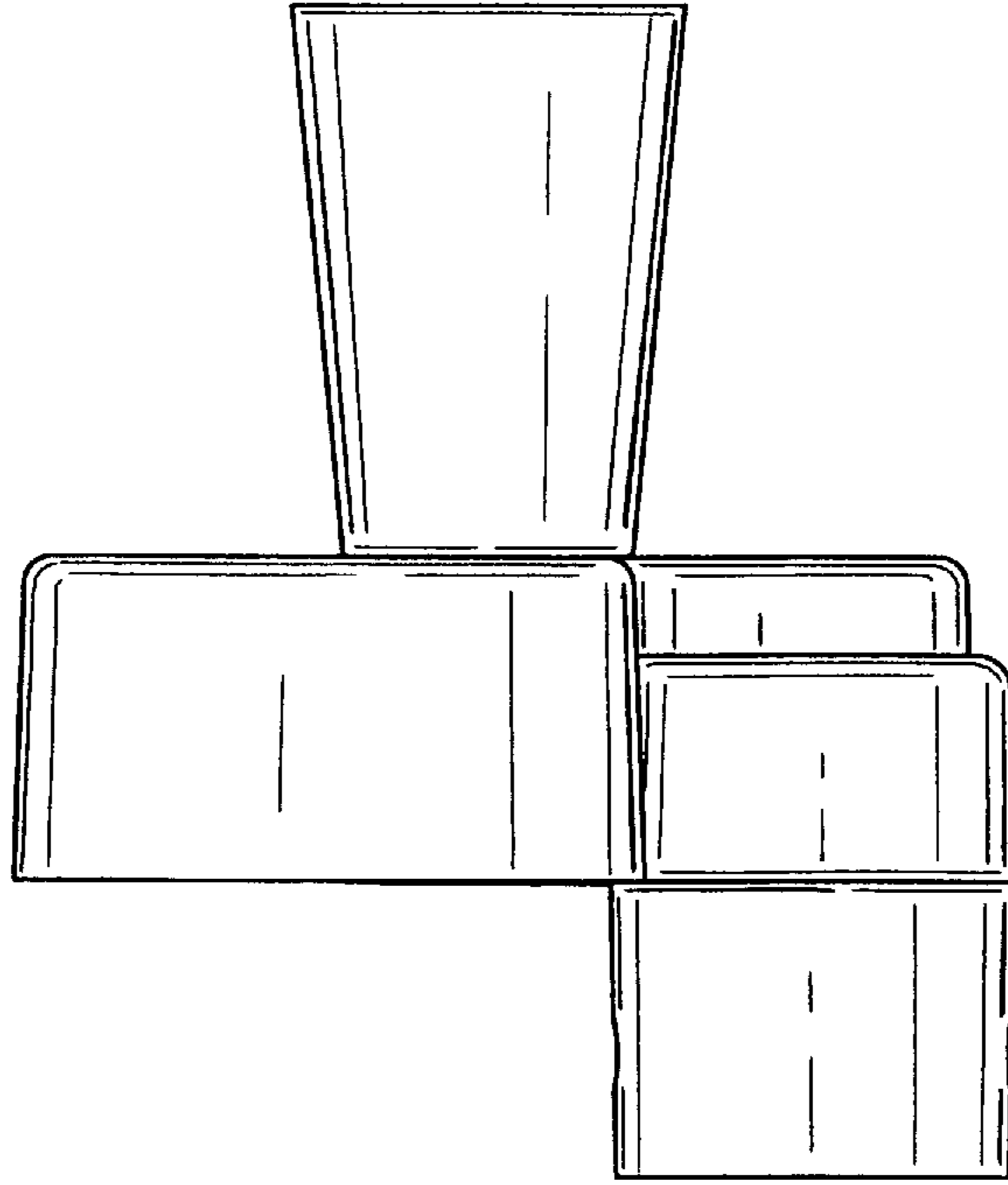


FIG. 12

