



US00D398504S

**United States Patent** [19]  
**Yamashita**

[11] **Patent Number: Des. 398,504**

[45] **Date of Patent: \*\*Sep. 22, 1998**

[54] **APPARATUS FOR ADVANCING AXIALLY  
ALIGNED PIPES TELESCOPICALLY INTO  
OR OUT OF ENGAGEMENT**

889,315 6/1908 Kenyon ..... 254/98  
2,670,174 2/1954 Lucker ..... 29/267  
3,988,819 11/1976 Sato ..... 29/237

[75] Inventor: **Tamotsu Yamashita**, Osaka, Japan

*Primary Examiner*—Antoine Duval Davis  
*Attorney, Agent, or Firm*—Nikaïdo, Marmelstein, Murray &  
Oram LLP

[73] Assignee: **Suiken Technology Co., Ltd.**, Osaka,  
Japan

[\*\*] Term: **14 Years**

[21] Appl. No.: **70,203**

[57] **CLAIM**

The ornamental design for an apparatus for advancing axially aligned pipes telescopically into or out of engagement, as shown and described.

[22] Filed: **May 7, 1997**

**DESCRIPTION**

**Related U.S. Application Data**

[62] Division of Ser. No. 510,866, Aug. 3, 1995, abandoned.

FIG. 1 is perspective view of the apparatus for advancing axially aligned pipes telescopically into or out of engagement showing my new design;

[30] **Foreign Application Priority Data**

Apr. 17, 1995 [JP] Japan ..... 7-10708

FIG. 2 is a top plan view thereof without the ratchet handle;

[51] **LOC (6) Cl.** ..... **08-05**

FIG. 3 is a front view thereof without the ratchet handle, the rear view being a mirror image thereof;

[52] **U.S. Cl.** ..... **D8/72**

FIG. 4 is a right end view thereof;

[58] **Field of Search** ..... D8/72; D15/140;  
29/237, 267; 254/29 R, 98; 269/43, 45

FIG. 5 is a left end view thereof;

[56] **References Cited**

FIG. 6 is a bottom view thereof; and,

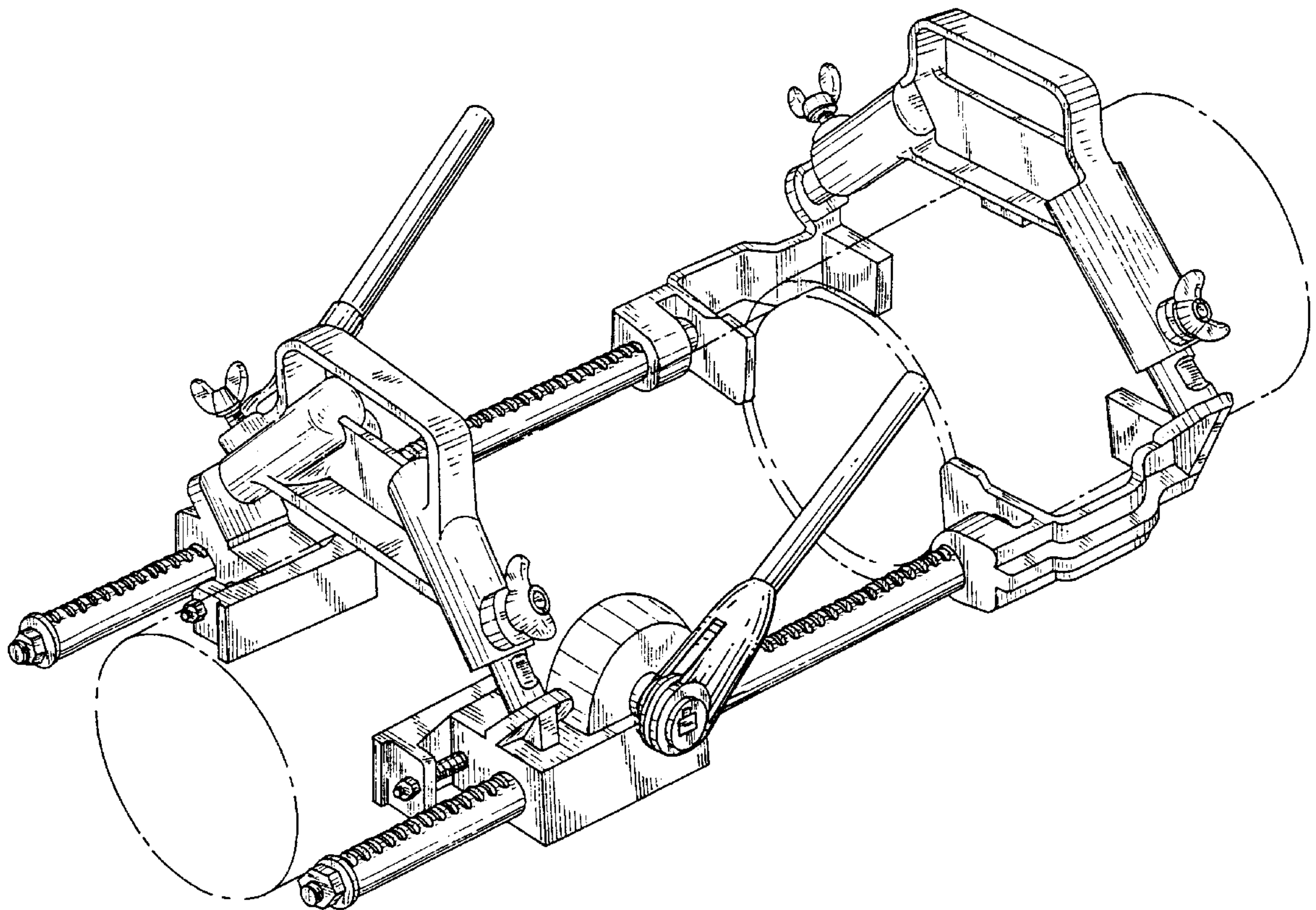
**U.S. PATENT DOCUMENTS**

FIG. 7 is a front view with the ratchet handle.

D. 322,207 12/1991 Anson ..... D8/72

The ratchet handles have not been shown in figure drawings 2–6 for ease of illustration.

**1 Claim, 6 Drawing Sheets**



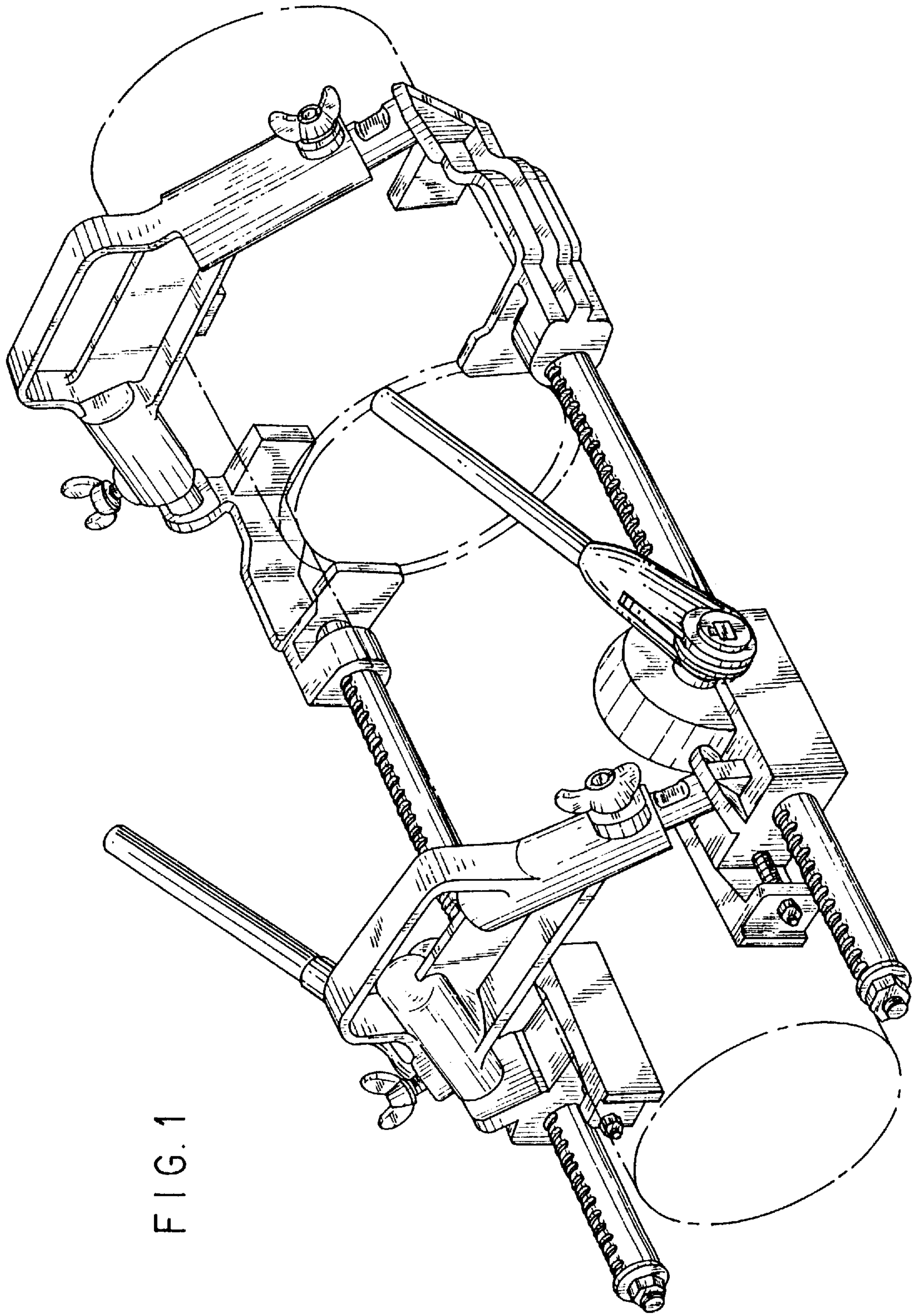


FIG. 1



FIG. 2

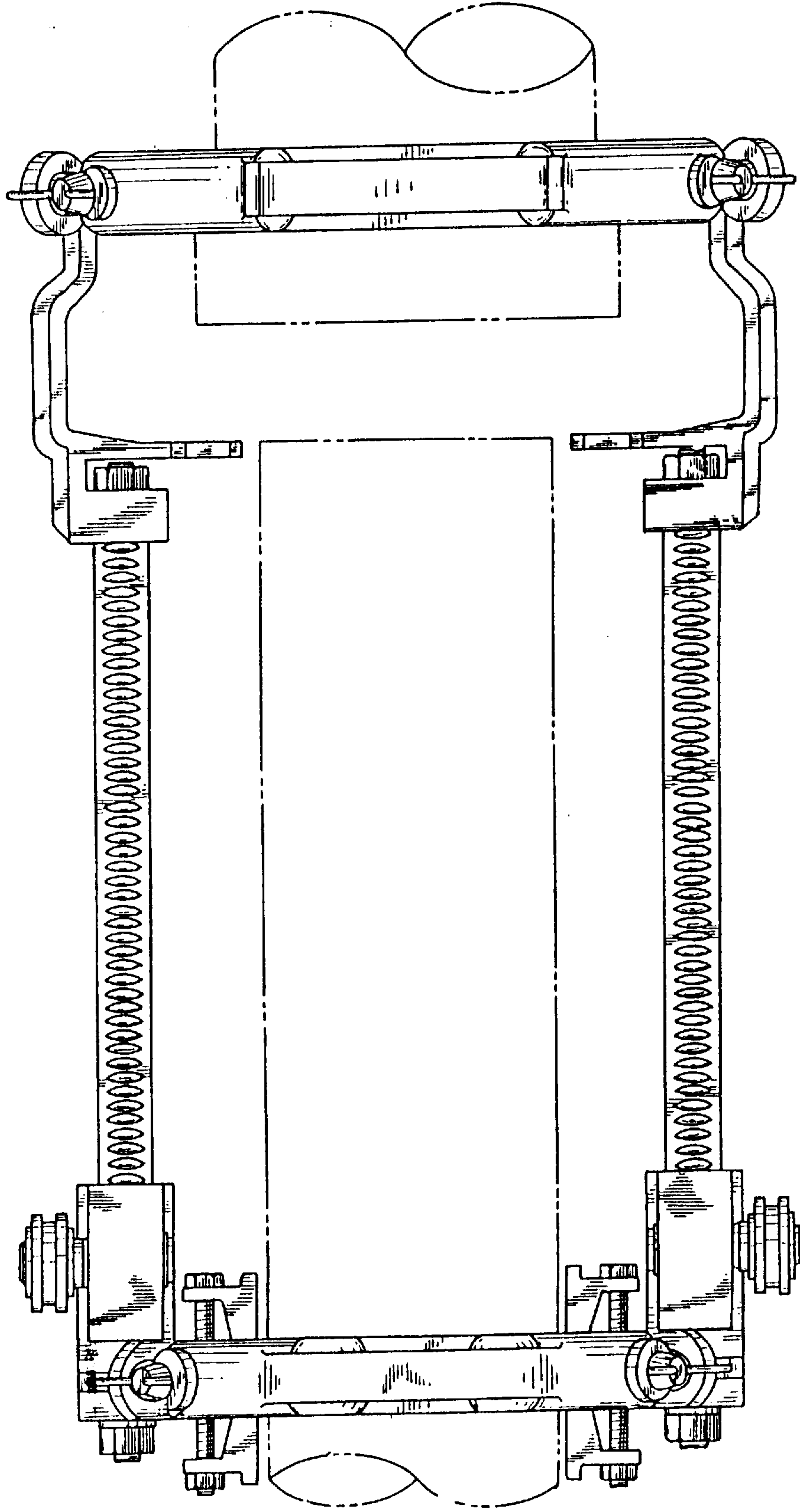


FIG. 3

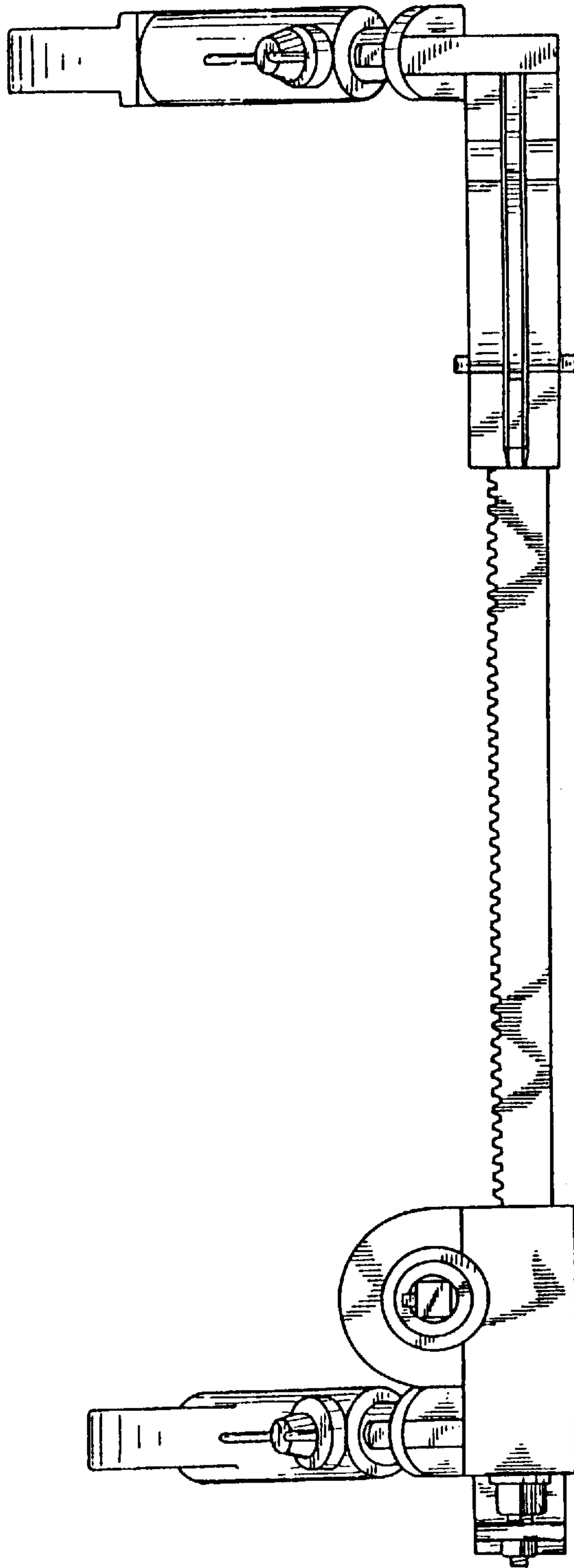


FIG. 5

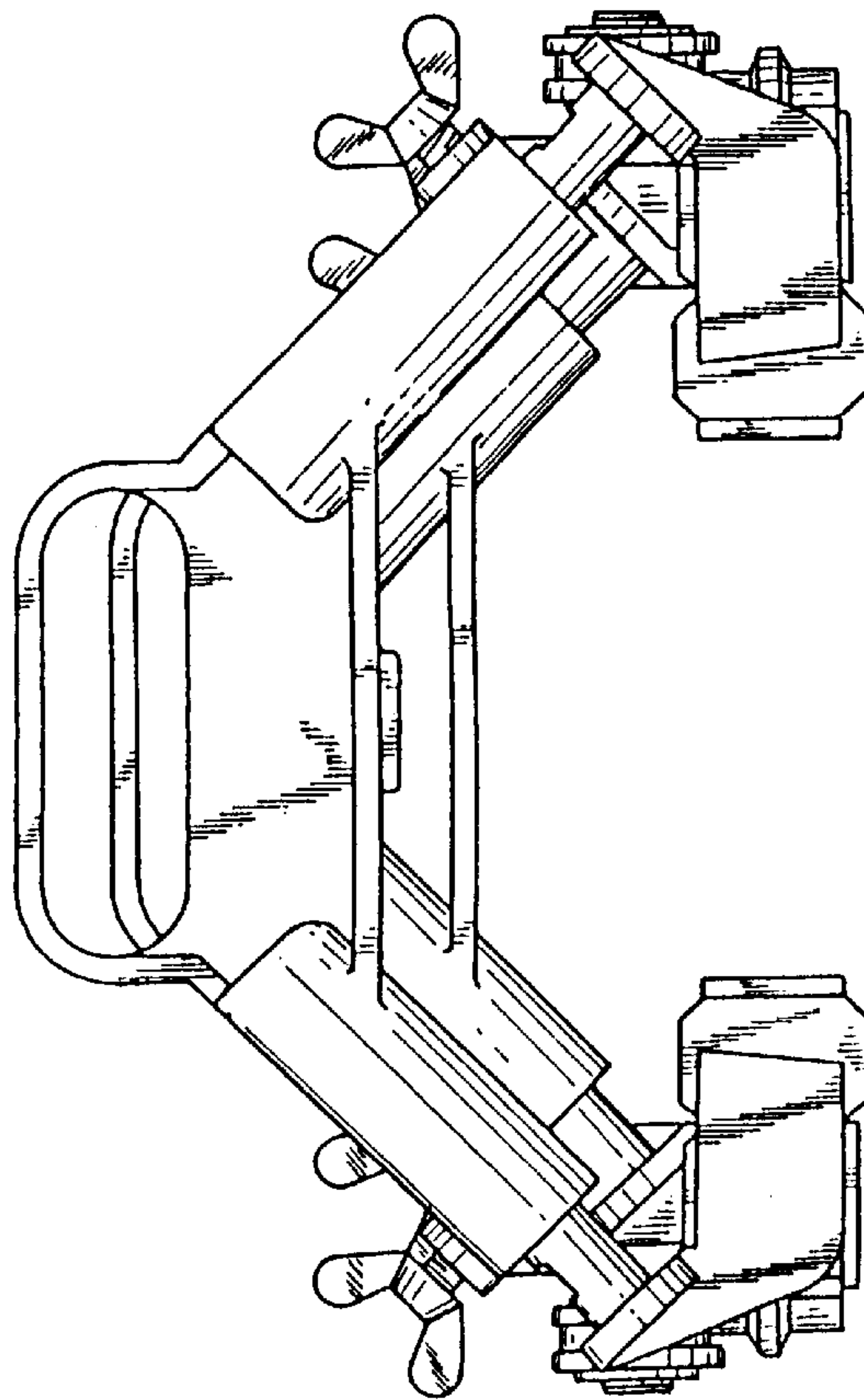


FIG. 4

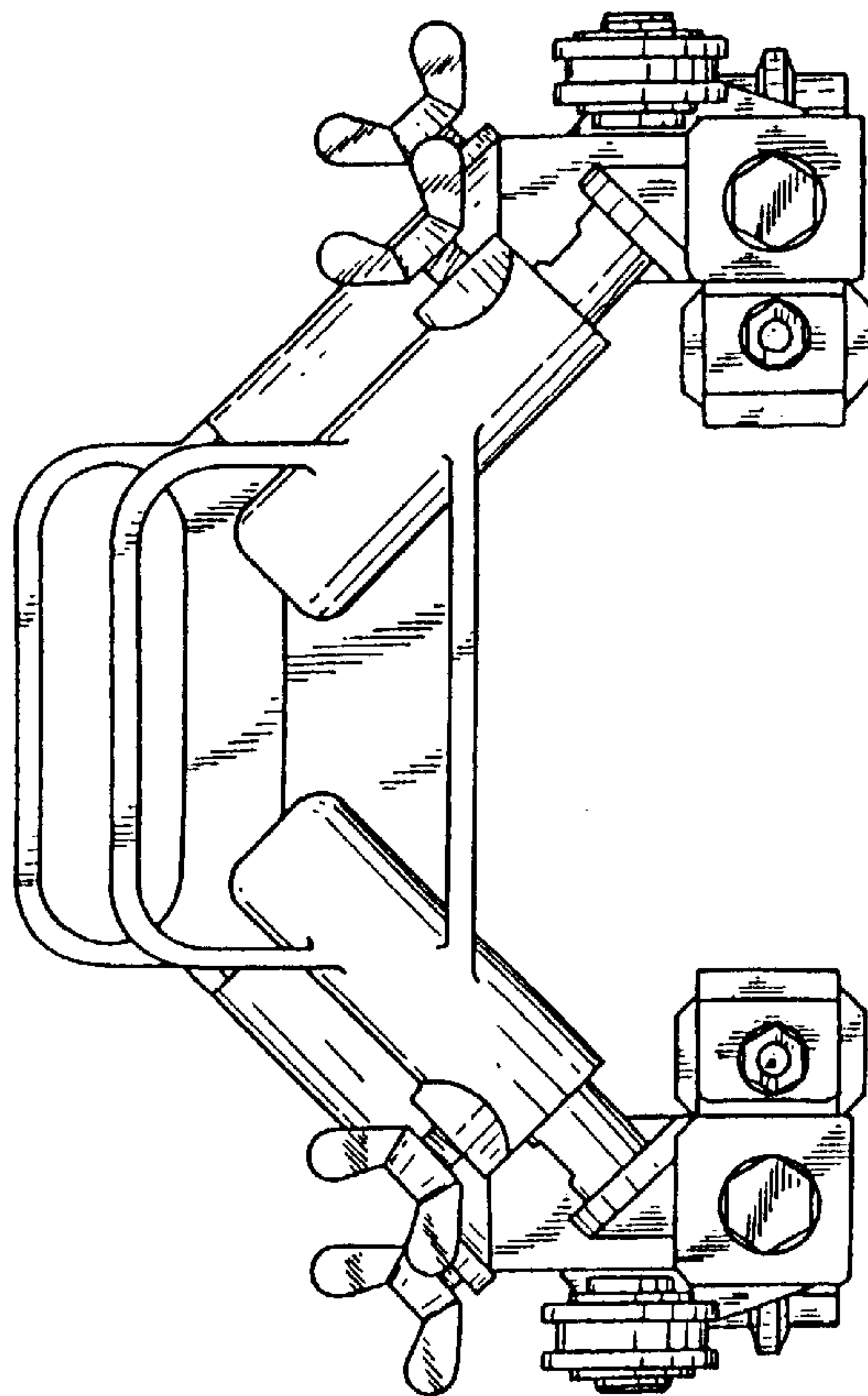
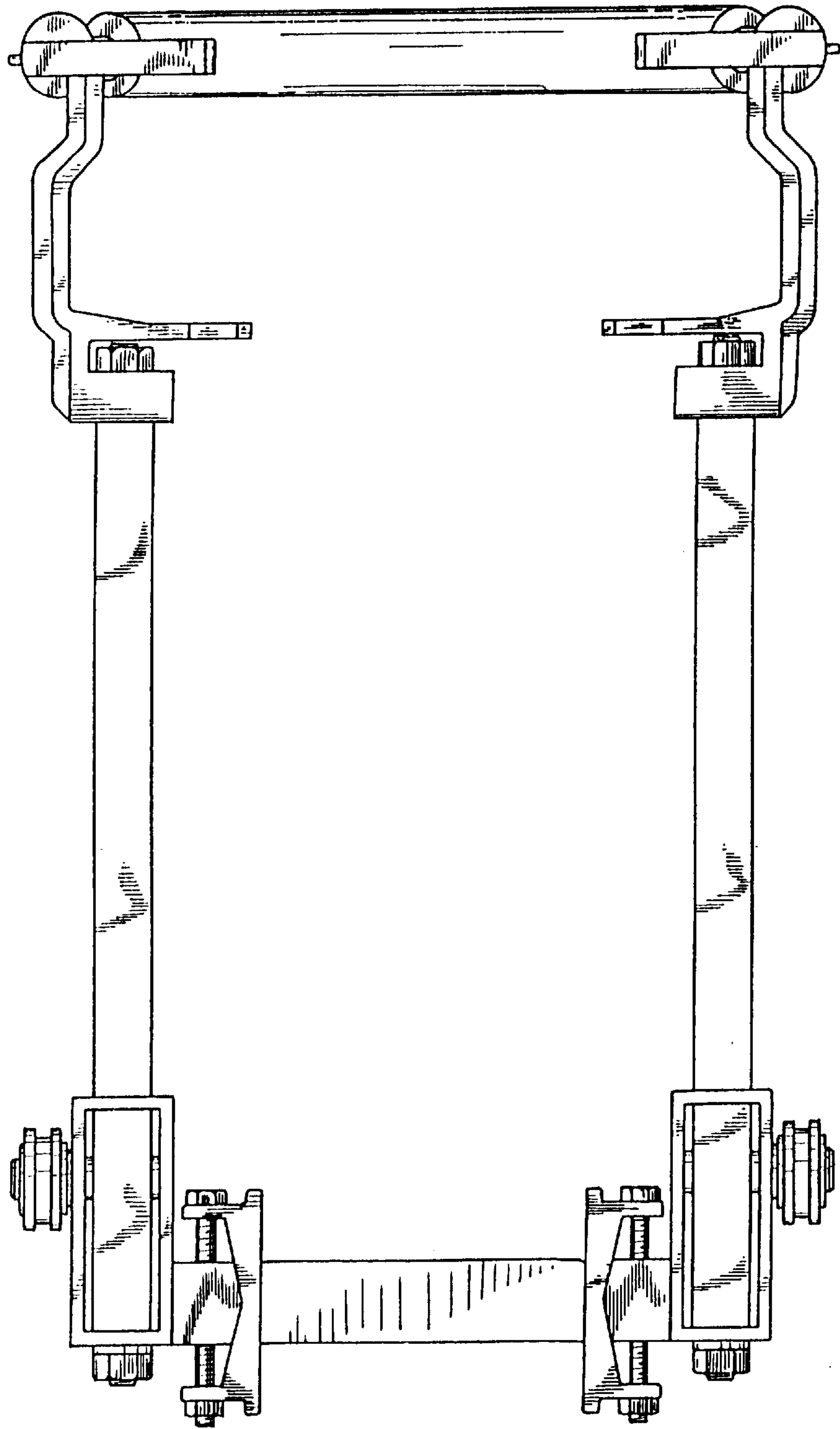


FIG. 6



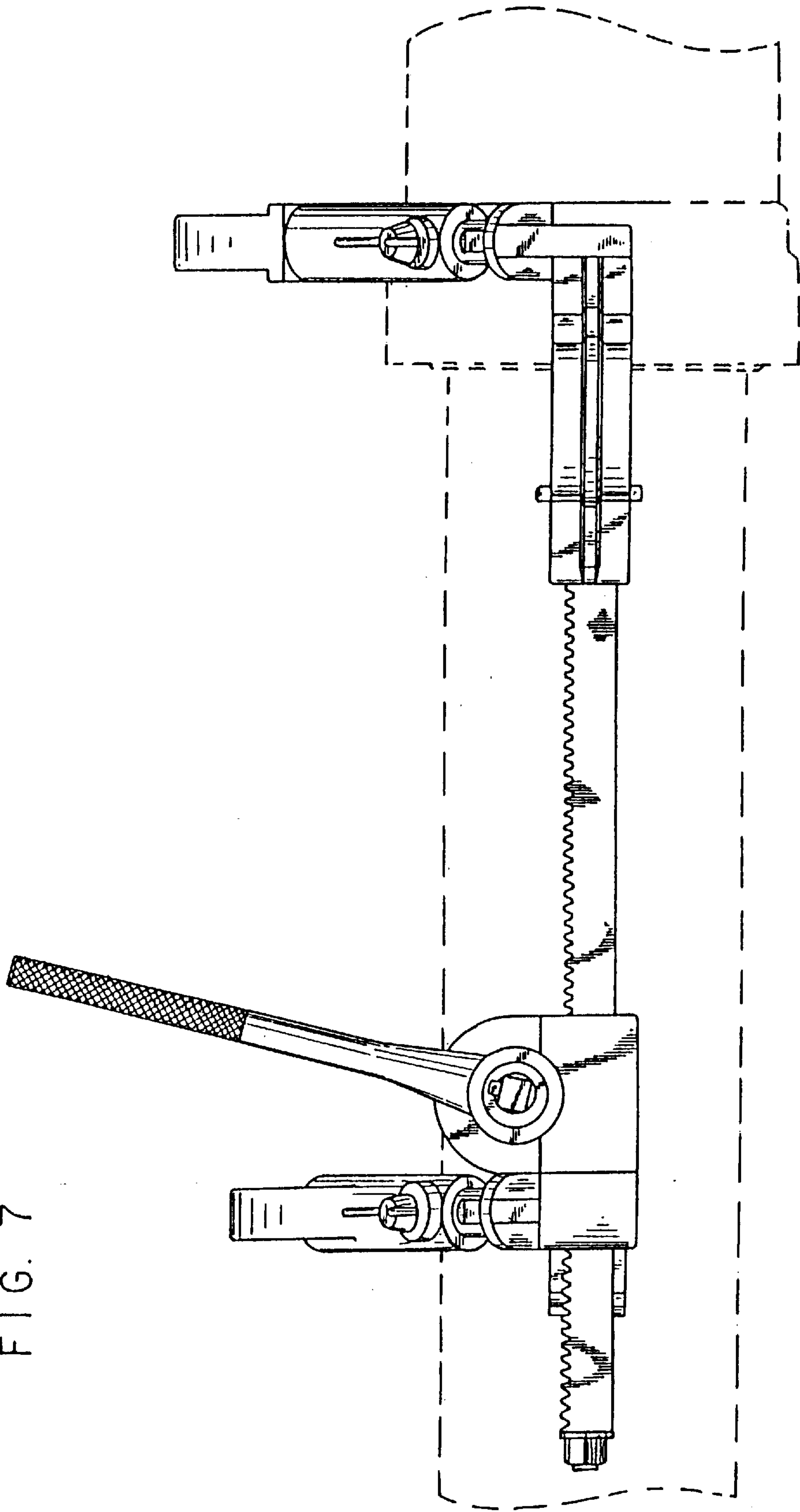


FIG. 7