



US00D398498S

# United States Patent [19]

Bates et al.

[11] Patent Number: Des. 398,498

[45] Date of Patent: \*\*Sep. 22, 1998

[54] **PLIER JAWS**

[75] Inventors: **Darryle Eugene Bates**, Cuyahoga Falls, Ohio; **Vincent J. Kiernan**, Marco Island, Fla.

[73] Assignee: **Stride Tool, Inc.**, Ellicottville, N.Y.

[\*\*] Term: **14 Years**

[21] Appl. No.: **68,494**

[22] Filed: **Feb. 21, 1997**

[51] **LOC (6) Cl.** ..... **08-05**

[52] **U.S. Cl.** ..... **D8/52**

[58] **Field of Search** ..... D8/51, 52, 55, D8/105; 7/117, 128, 133, 130; 30/153, 162, 254; 81/426, 440, 427.5, 415; 140/121, 118

### [56] References Cited

#### U.S. PATENT DOCUMENTS

513,742	1/1894	Trout	.....	140/118
3,694,834	10/1972	Daniels, Jr.	.....	140/121 X
4,607,544	8/1986	Jewell, Jr.	.....	140/121 X

*Primary Examiner*—Freda Nunn

*Attorney, Agent, or Firm*—Calfee, Halter & Griswold LLP; Pamela A. Docherty

### [57] CLAIM

The ornamental design for the plier jaws, as shown and described.

### DESCRIPTION

FIG. 1 is a perspective view of the plier jaws according to this invention in the closed position;

FIG. 2 is a top plan view of the plier jaws of FIG. 1;

FIG. 3 is a bottom up plan view of the plier jaws of FIG. 1;

FIG. 4 is a left side elevation view of the plier jaws of FIG. 1;

FIG. 5 is a right side elevation view of the plier jaws of FIG. 1;

FIG. 6 is a front end elevation view of the plier jaws of FIG. 1;

FIG. 7 is a perspective view of the plier jaws of FIG. 1 in the open position;

FIG. 8 is a top plan view of the plier jaws of FIG. 1;

FIG. 9 is a bottom up plan view of the plier jaws of FIG. 8;

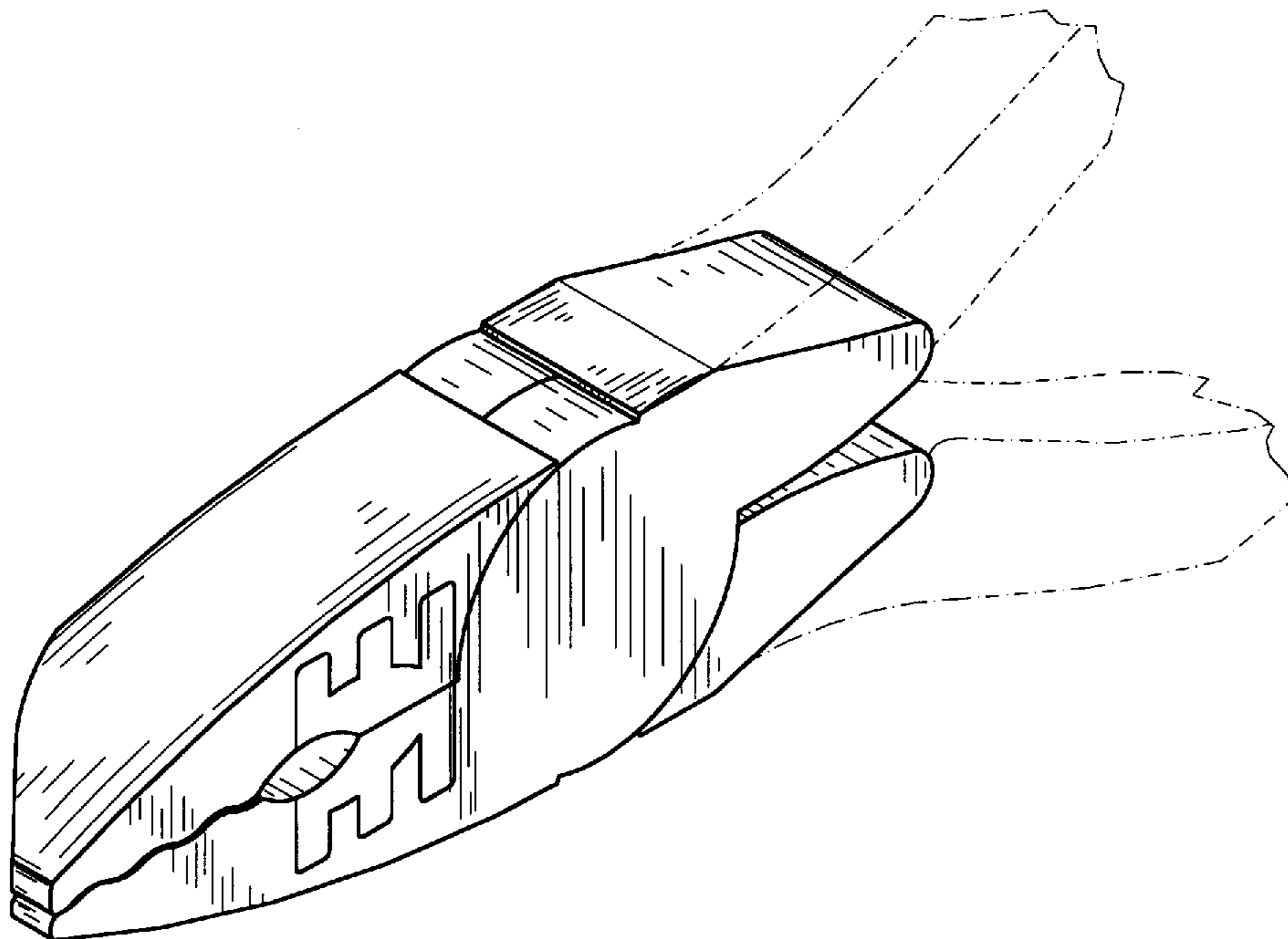
FIG. 10 is a right side elevation view of the plier jaws of FIG. 8;

FIG. 11 is a left side elevation view of the plier jaws of FIG. 8; and,

FIG. 12 is a front end evaluation view of the plier jaws of FIG. 8.

The broken lines are shown in the views for illustrative purposes only and form no part of the claimed design.

**1 Claim, 2 Drawing Sheets**



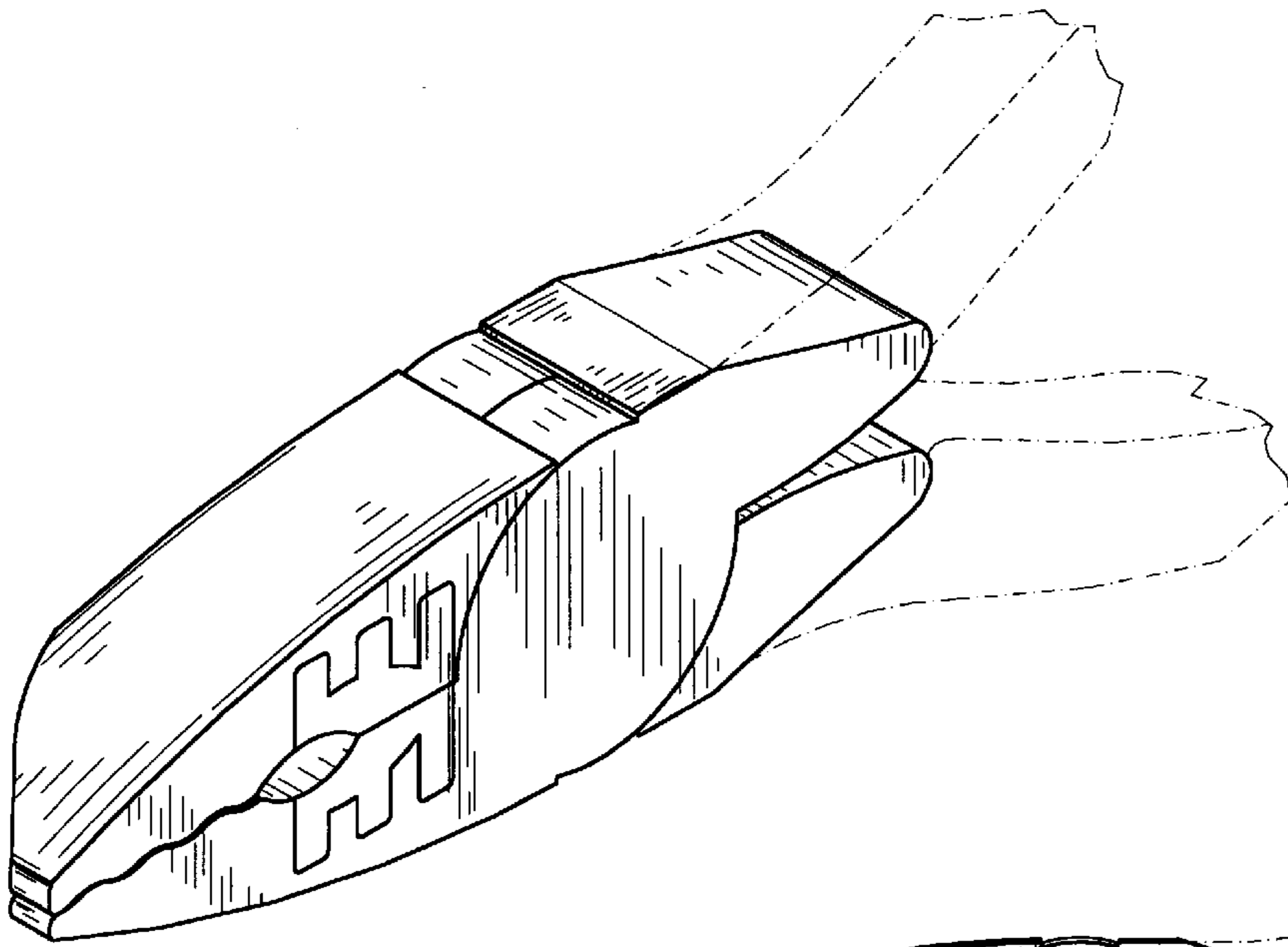


Fig.1

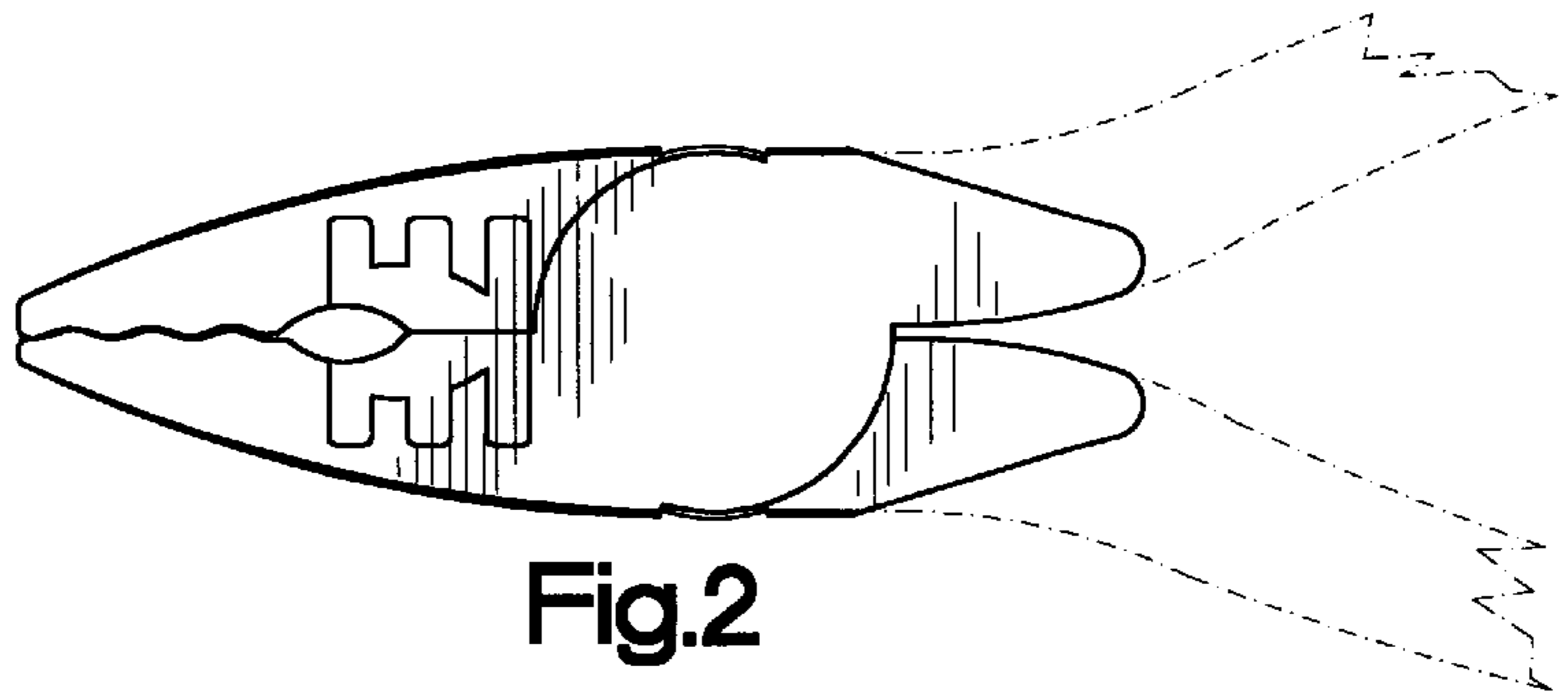


Fig.2

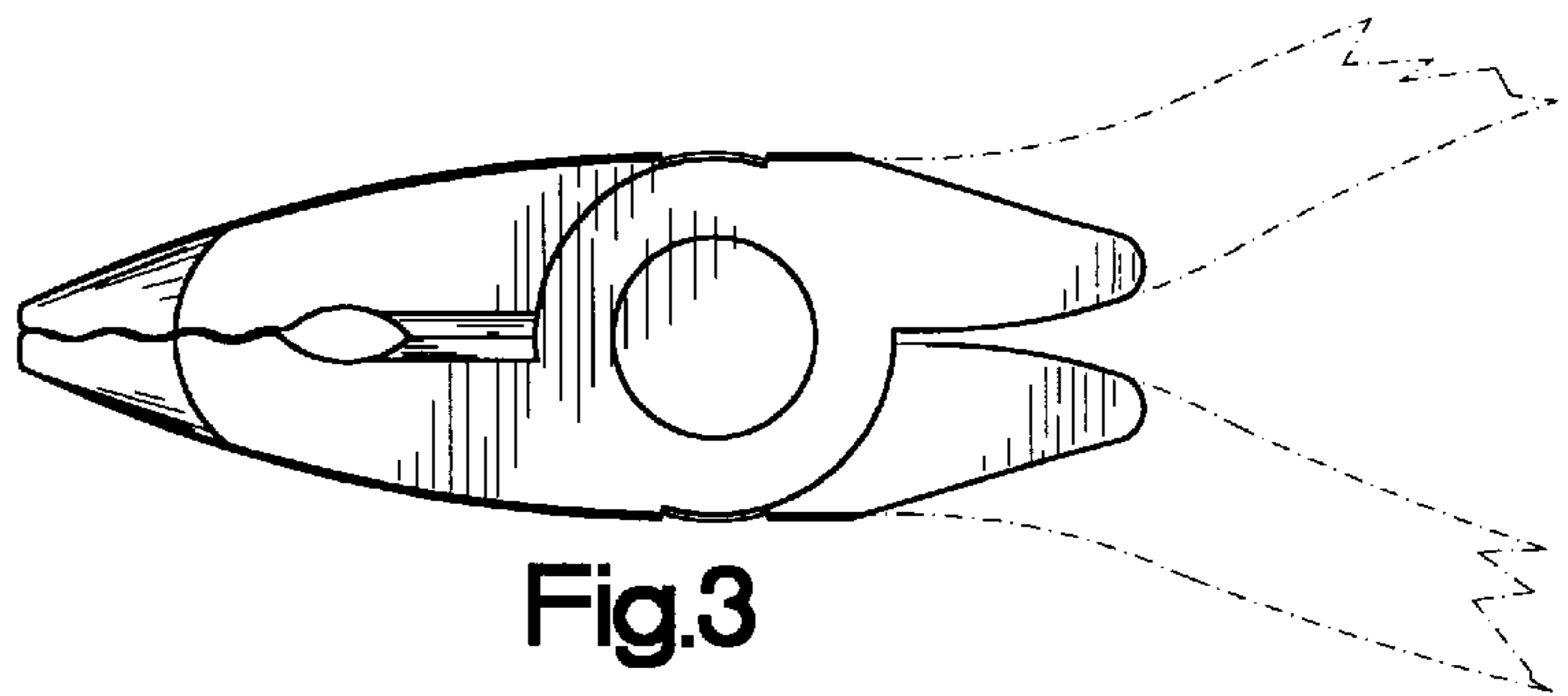


Fig.3

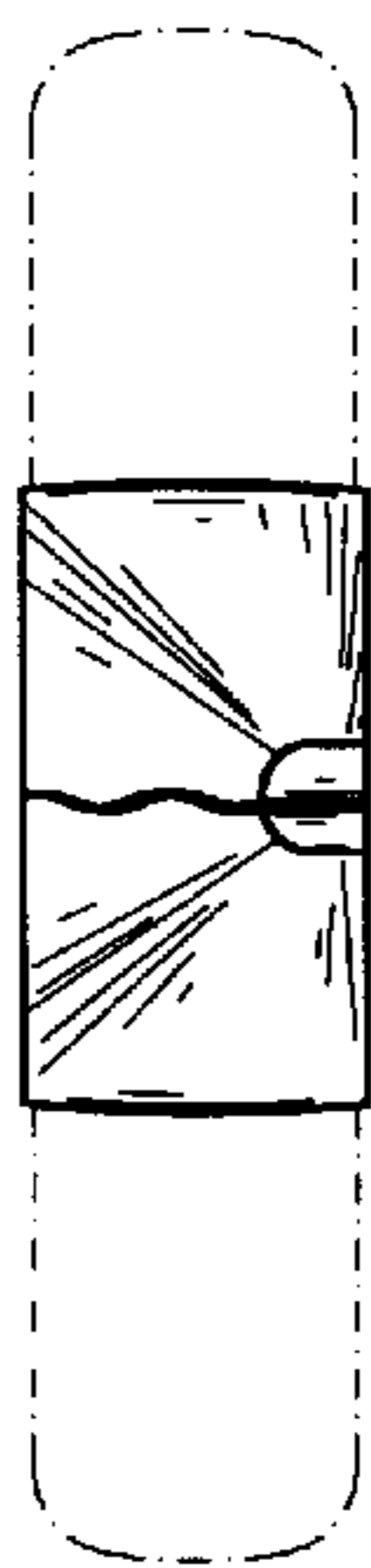


Fig.6

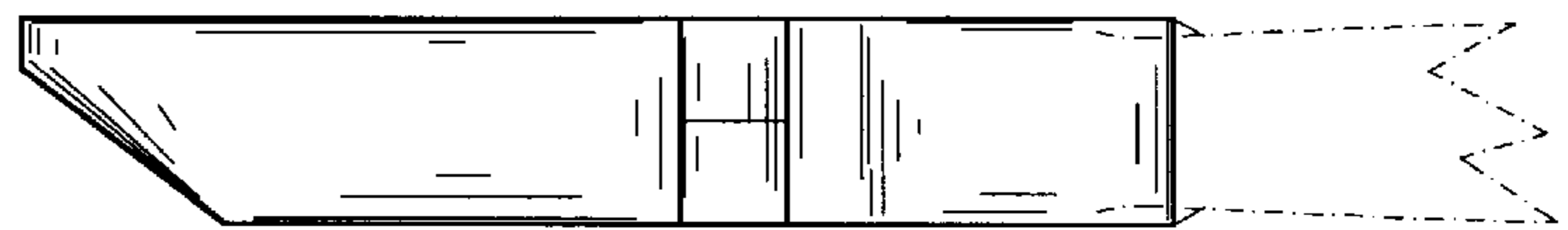


Fig.4

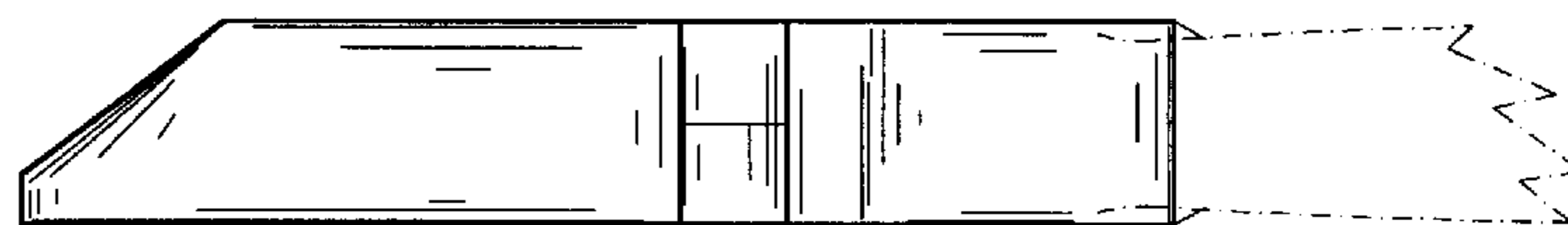


Fig.5

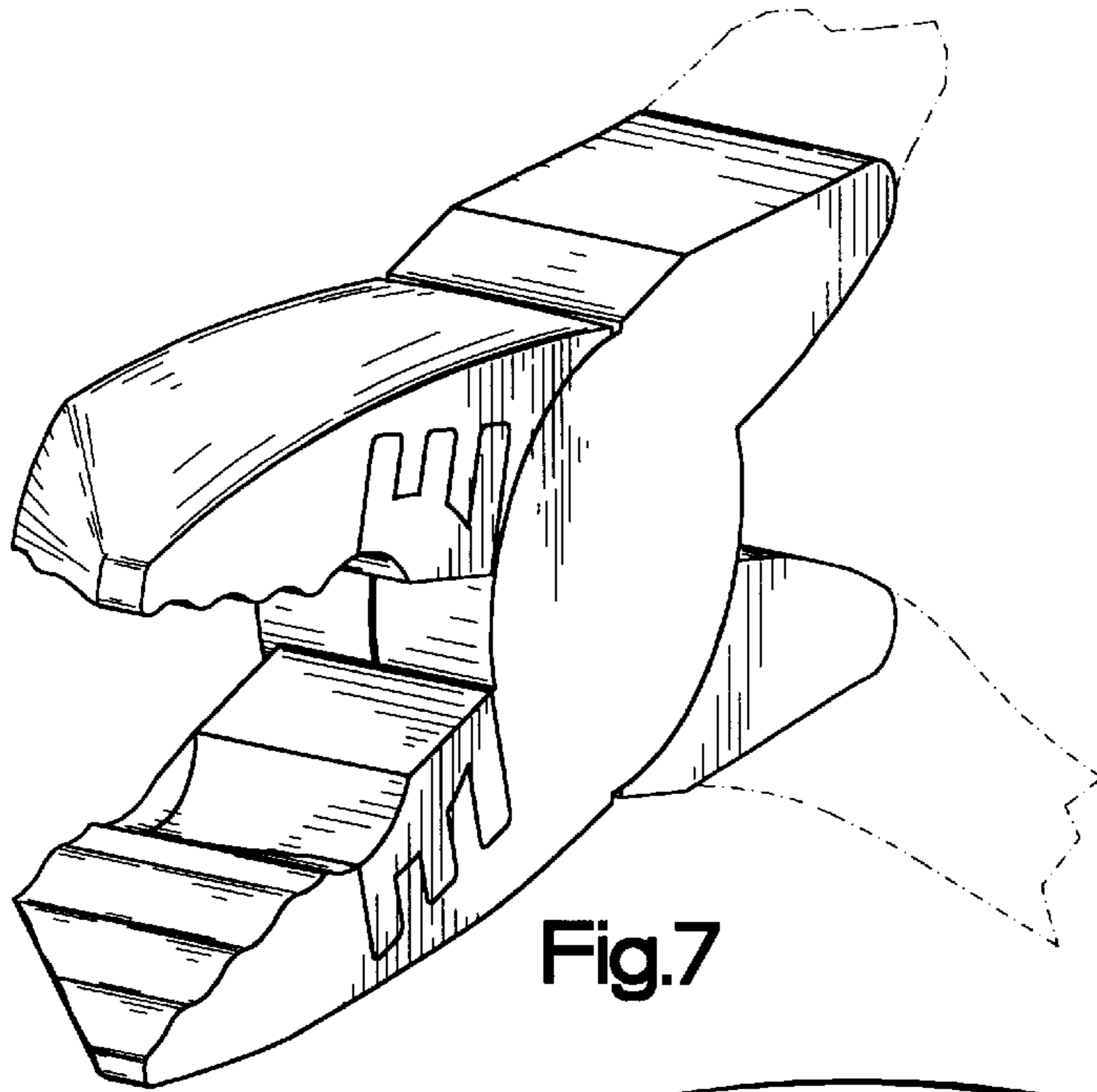


Fig.7

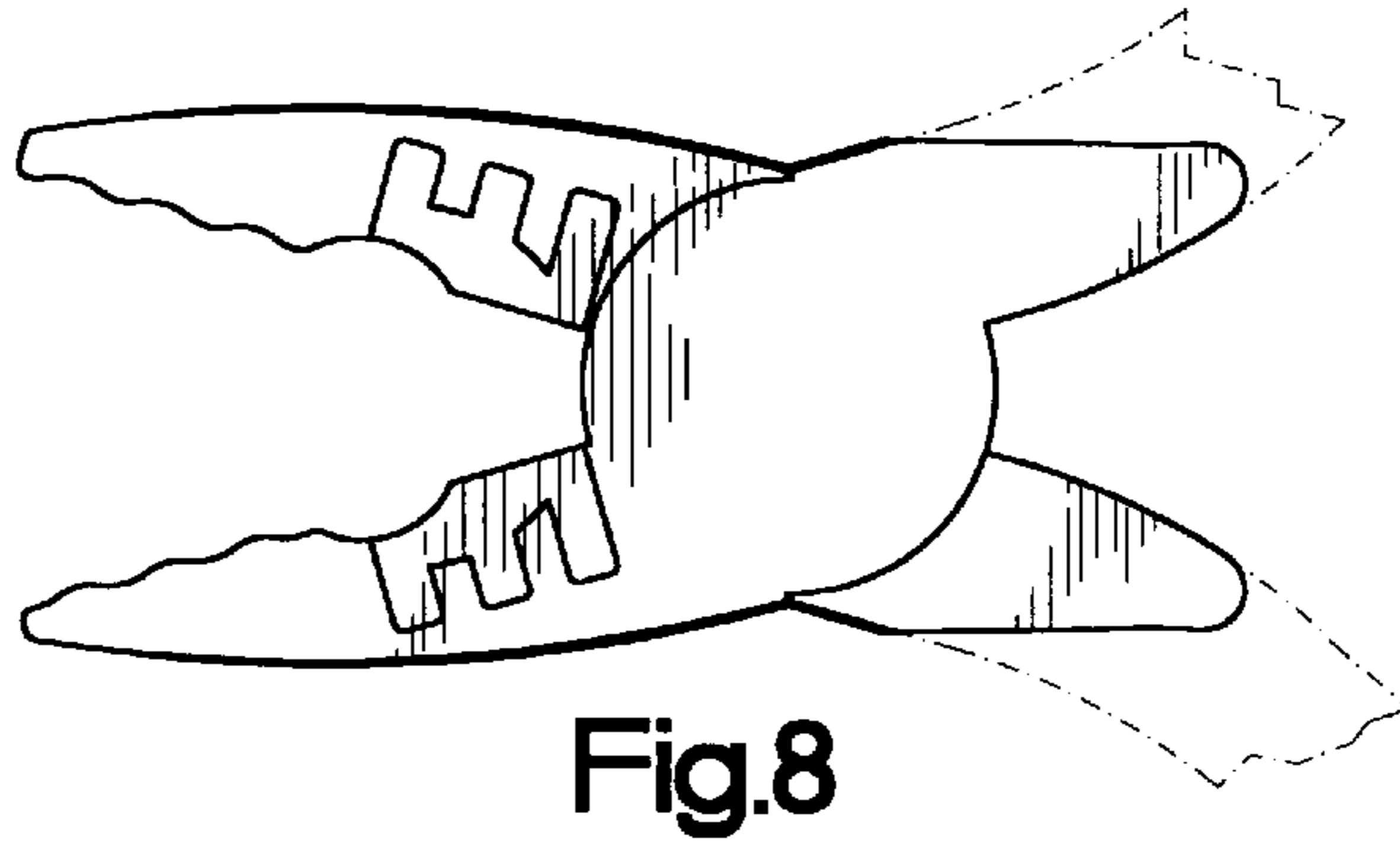


Fig.8

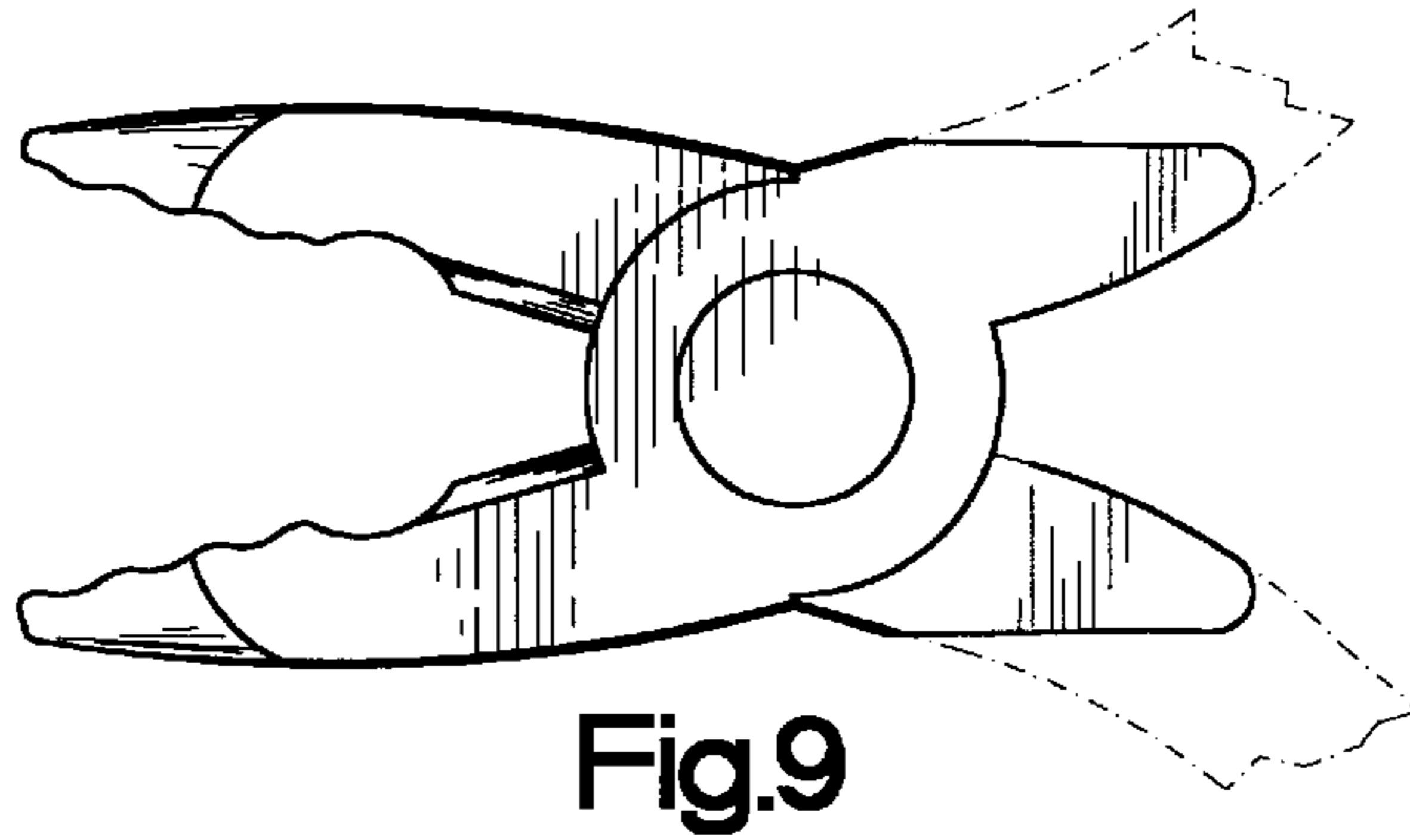


Fig.9



Fig.12



Fig.10



Fig.11